

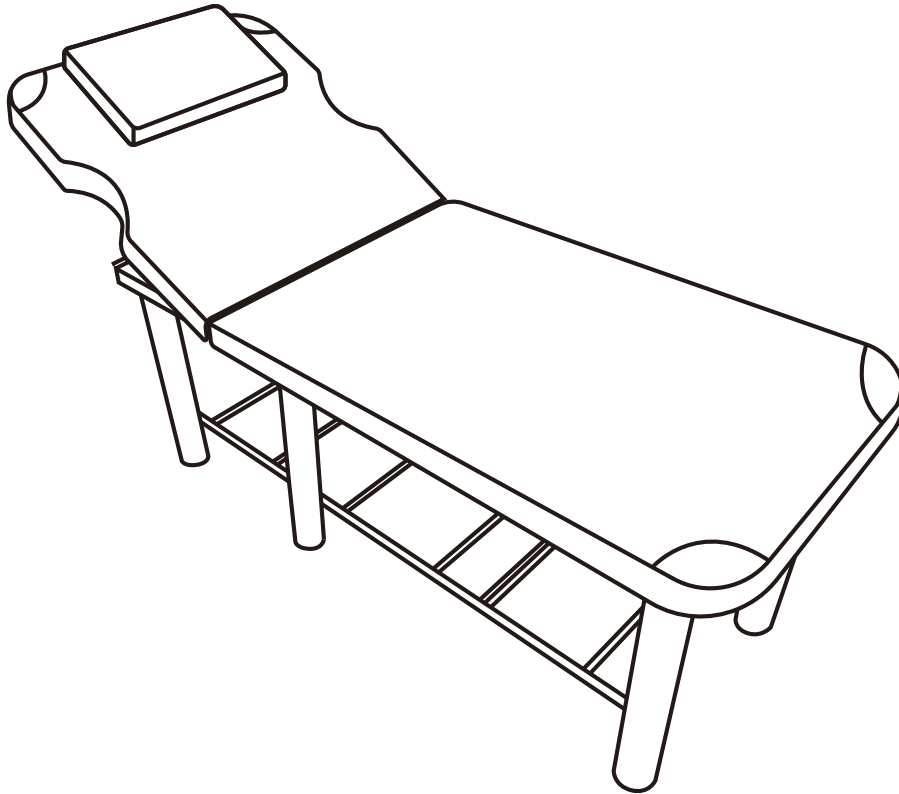
Beauty bed



ATTENTION!

PLEASE READ THESE INSTRUCTIONS BEFORE USING THIS DEVICE

PRODUCT MANUAL



NOTICE:

If your package is missing parts or you are having issues with assembly, please call us directly, Our customer service team will address any questions or concerns you may have. Have this manual open and ready for reference.



SAFETY

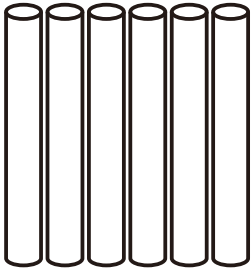
To reduce risk of injury when installing & using the Beauty bed, follow these precautions:

- Read all of these instructions before assembling and using your salon Beauty bed.
- It is helpful to have 2 people assemble and turn the Beauty bed upright after installing.
- Do not over-extend the chair(0~150kg), creating the risk of falls or tipping the Beauty bed, and its occupant over, resulting in injury

OTHER ITEMS YOU WILL NEED (not included)

- Hand Tools:Wrench&Sturdy box

A



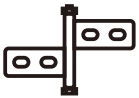
Leg
Quantity: 6

B



Iron Frame
Quantity: 1

C



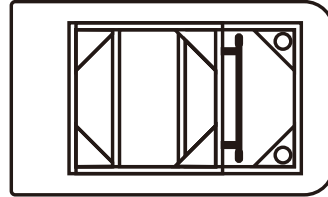
Hinge
Quantity: 2

I



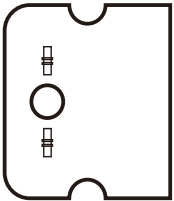
Bolt
Quantity: 6

D



Bed Tail
Quantity: 2

E



Bedside
Quantity: 1

F



Strut
Quantity: 2

H



Hex Key
Quantity: 2

J

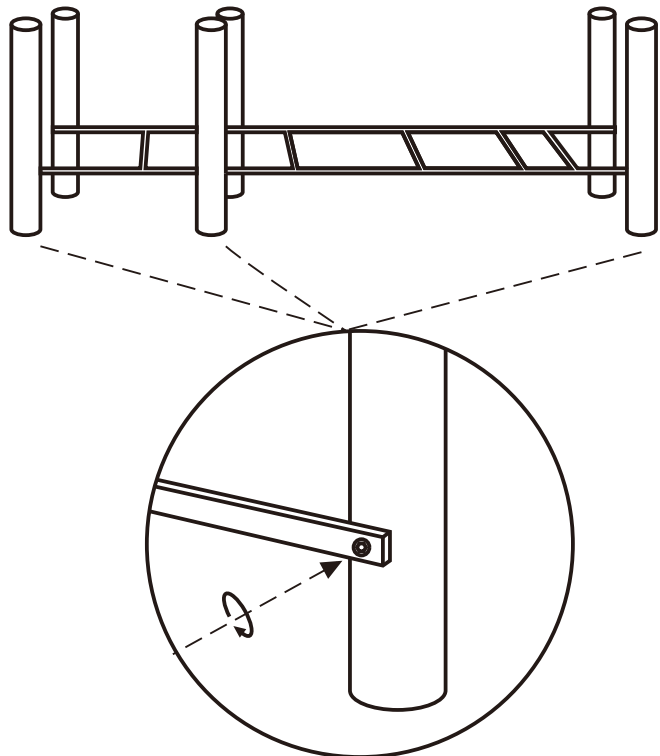


Pillow
Quantity: 1

1: Install 6 legs (A) onto the Iron Frame (B)

Install 6 legs (A) to the Iron Frame (B) with the 6 bolts (I).

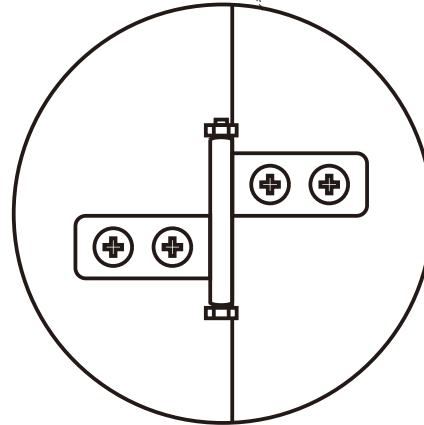
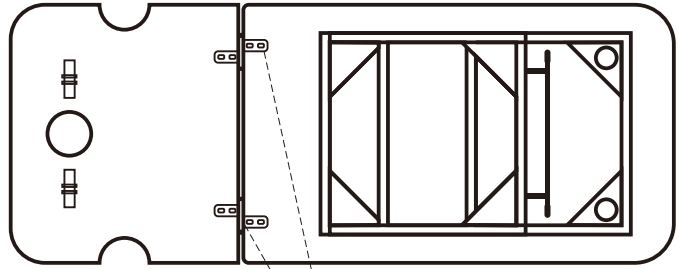
please see diagram besides



2:Install the bed tail (D) to the bedside (E)

Connect bed tail (D) and bedside (E) together through hinge (C)

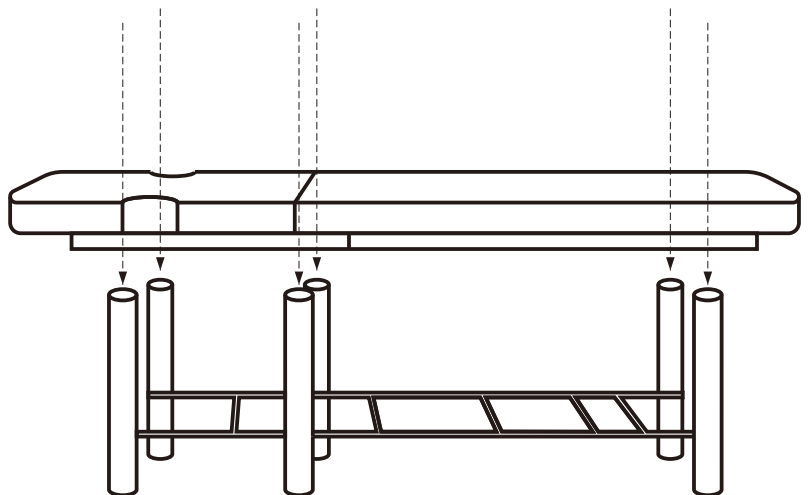
please see diagram besides



3:Install the bed on the base

Install the bed on the base

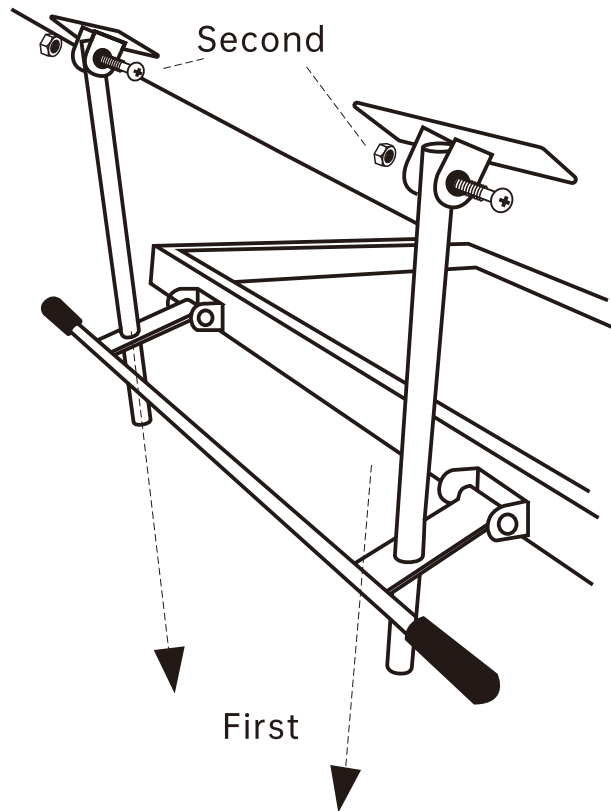
please see diagram besides



4:Installing 2 struts

- 1. Two struts (F) first passes through the hole position on the iron frame at bed tail(D)
- 2. Install two struts (F) under the bedside (E) with the bolt

please see diagram besides



5. Finish

install the pillow (J) at the Bedside (E)

please see diagram besides

