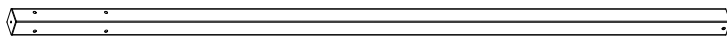


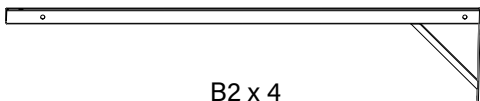
Component List



A x 4



B1 x 4



B2 x 4



C x 4



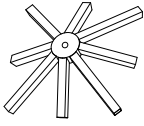
D x 4



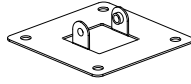
E x 8



Component List



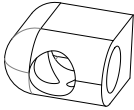
F x 1



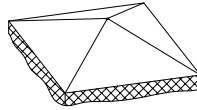
G x 4



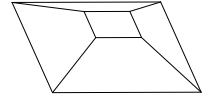
H x 8



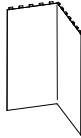
J x 16



K x 1



L x 1



M x 4



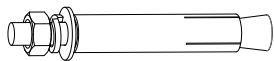
N x 4



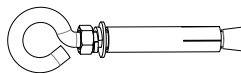
P x 4



Component List



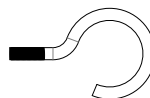
Q x 8



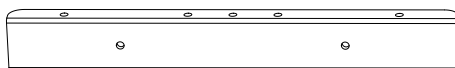
R x 4



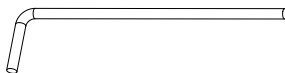
S x 4



T x 1



U x 4



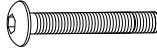
V x 8



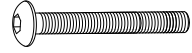
Component List



AA x (24 + 1)
(M6 X 15)



BB x (24 + 1)
(M6 X 30)



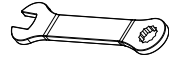
CC x (16 + 1)
(M6 X 35)



DD x (8 + 1)
(M6)



EE x 1

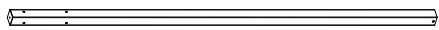
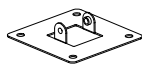
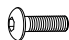
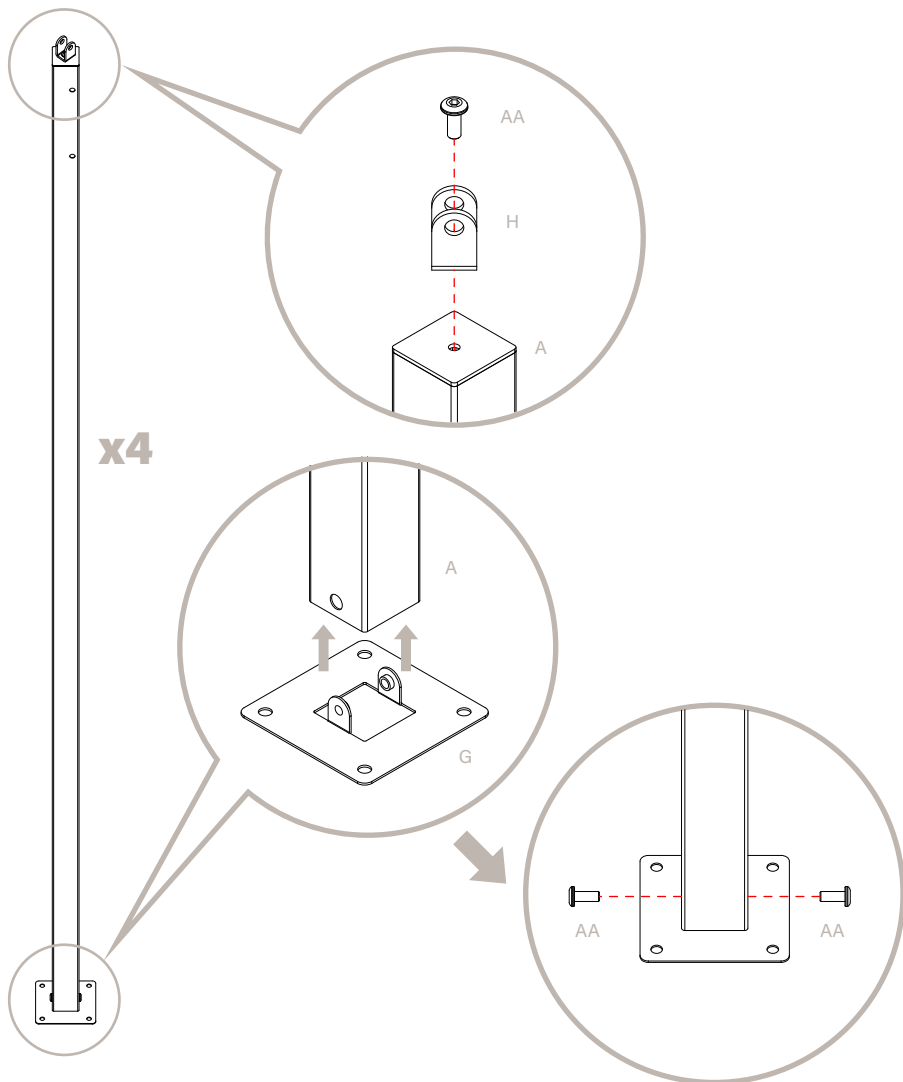


FF x 1

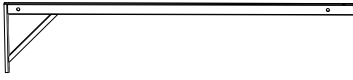
DO NOT FULLY TIGHTEN ALL SCREWS UNTIL ASSEMBLY IS COMPLETED.



Assembly of Base Frame

1.1 A (x4) G (x4) H (x4) M6 X 15 AA (x12)

1.2



B1 (x4)



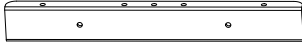
H (x4)



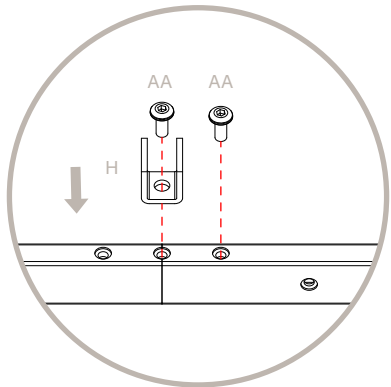
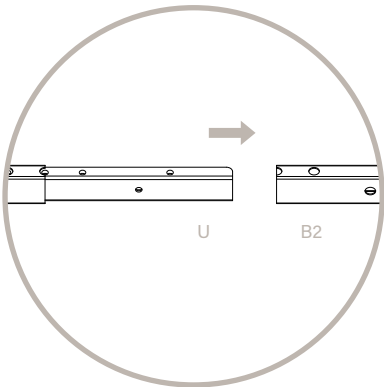
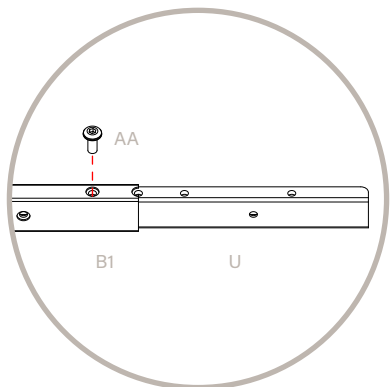
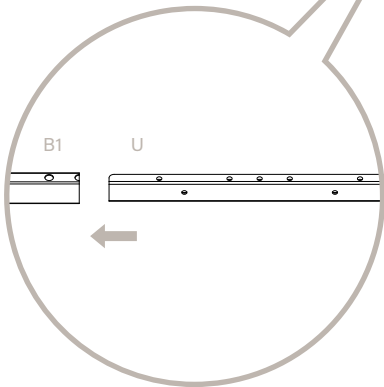
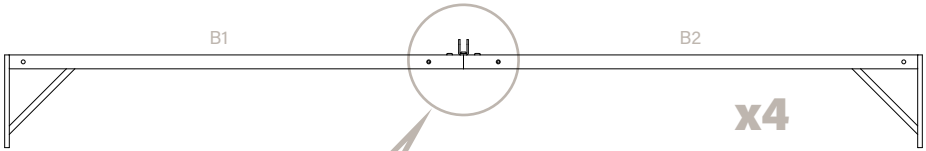
B2 (x4)



M6 X 15 AA (x12)



U (x4)



1.3



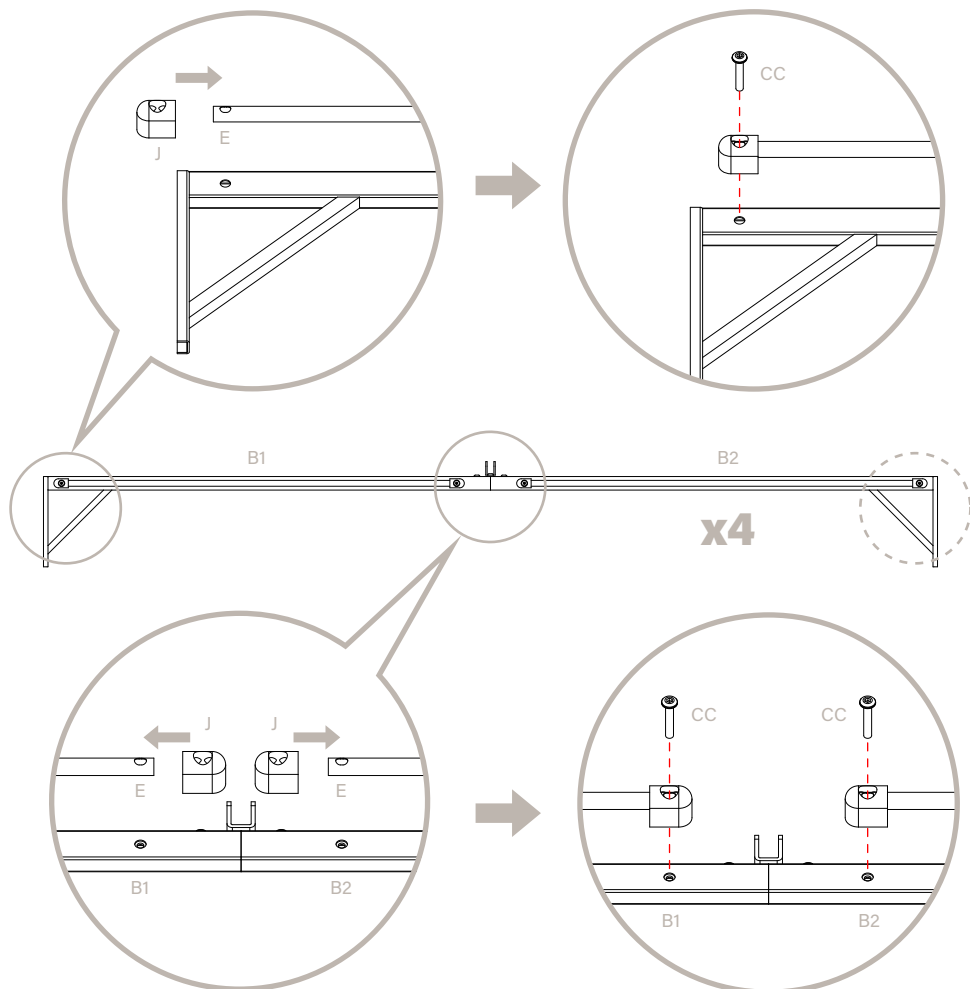
E (x8)



J (x16)



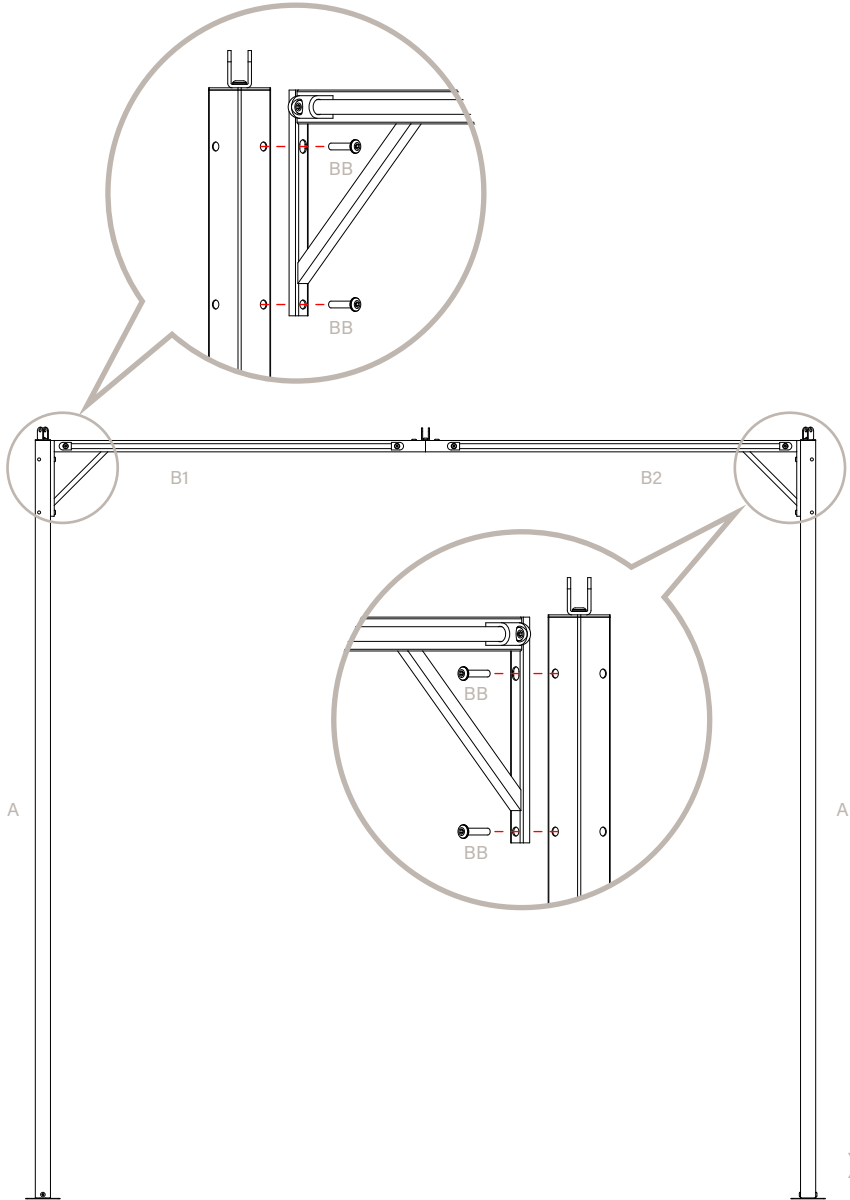
M6 X 35 CC (x16)



1.4



M6 X 30 BB (x8)

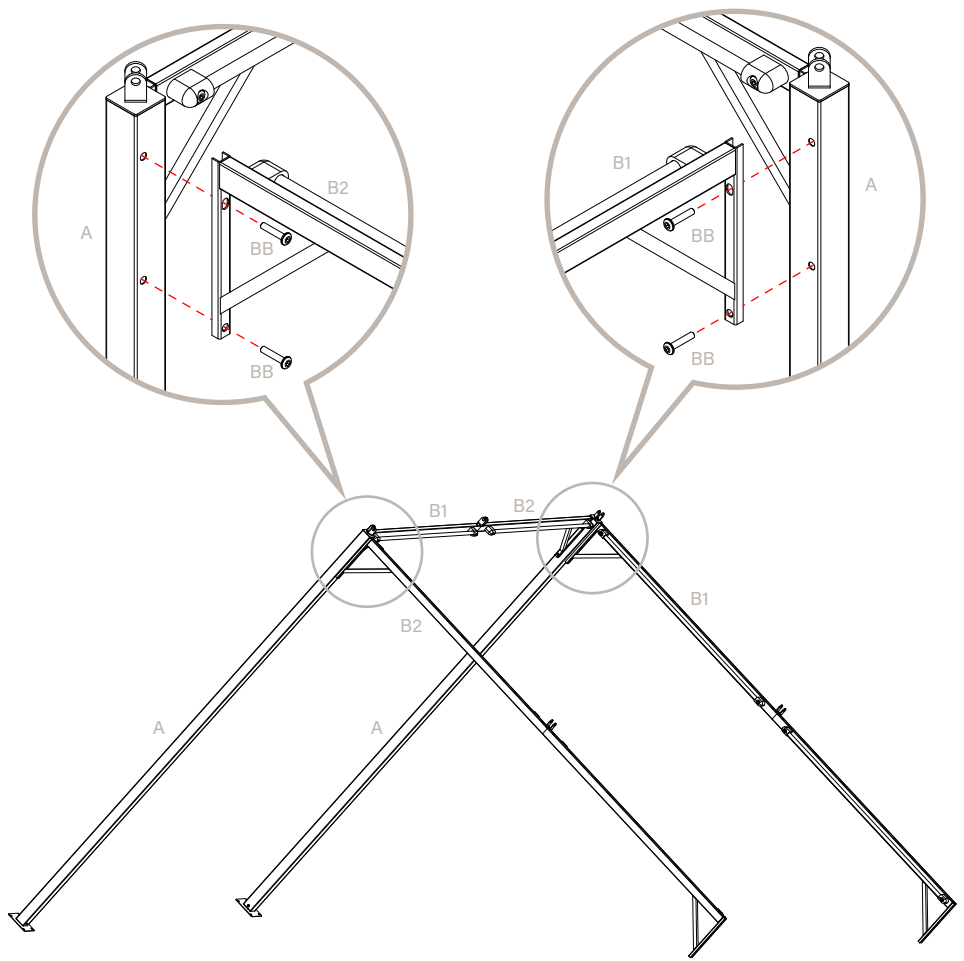


x2



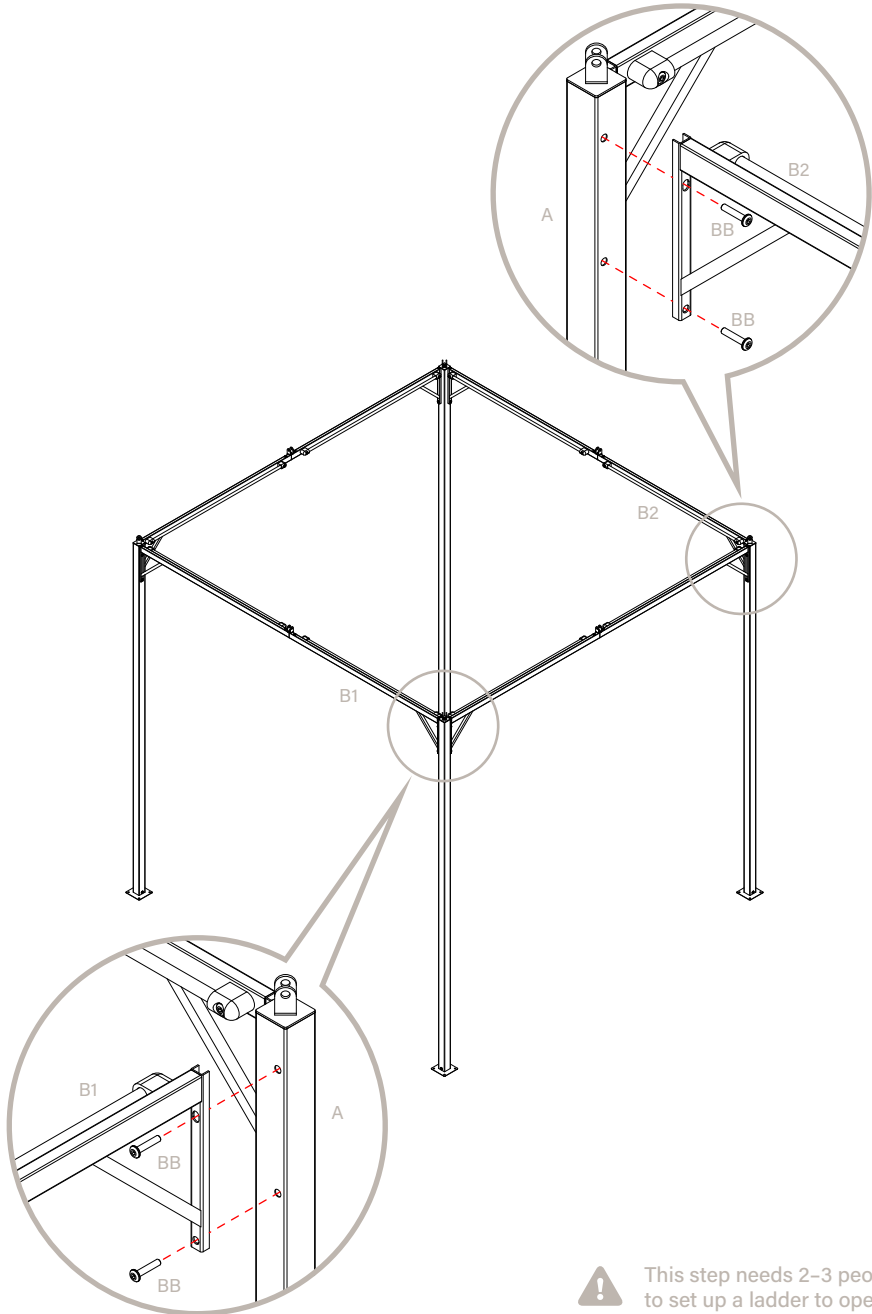
1.5

M6 X 30 BB (x4)





M6 X 30 BB (x4)



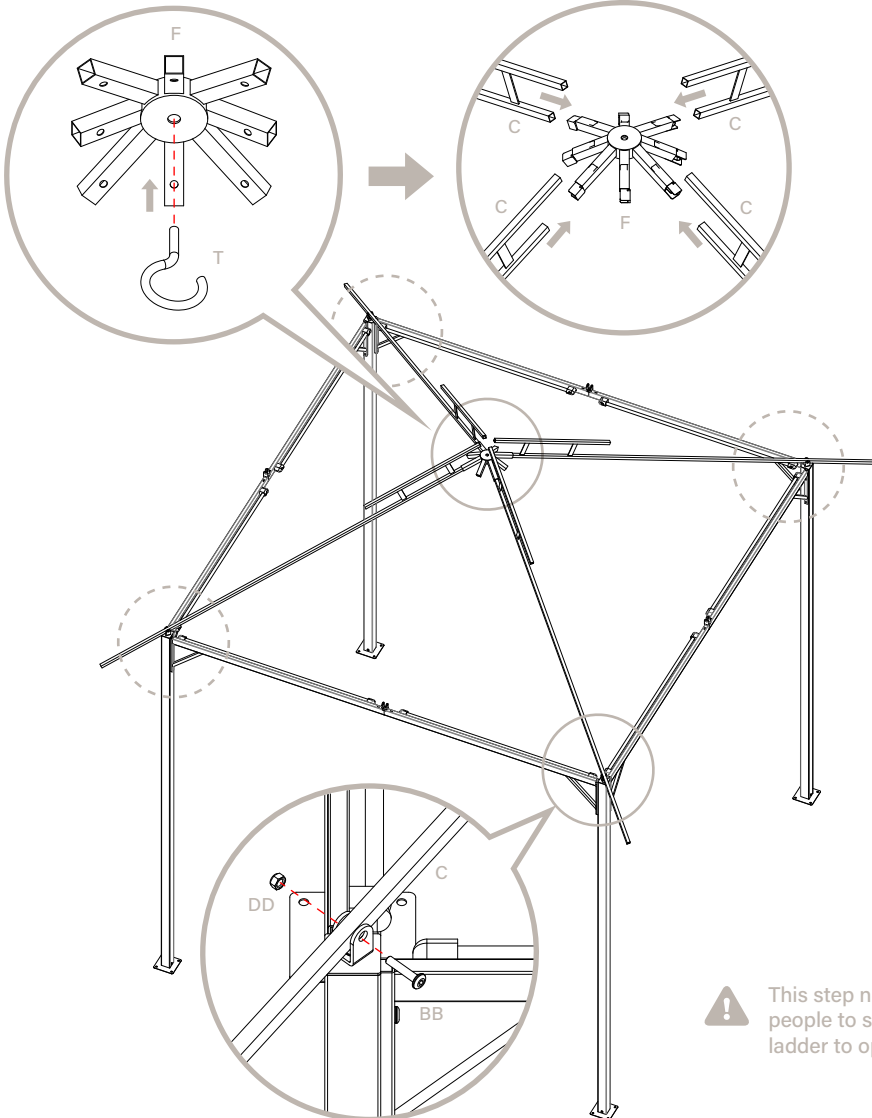
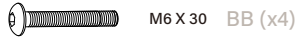
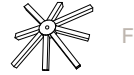
This step needs 2-3 people to set up a ladder to operate.



Assembly of Roof and Curtains

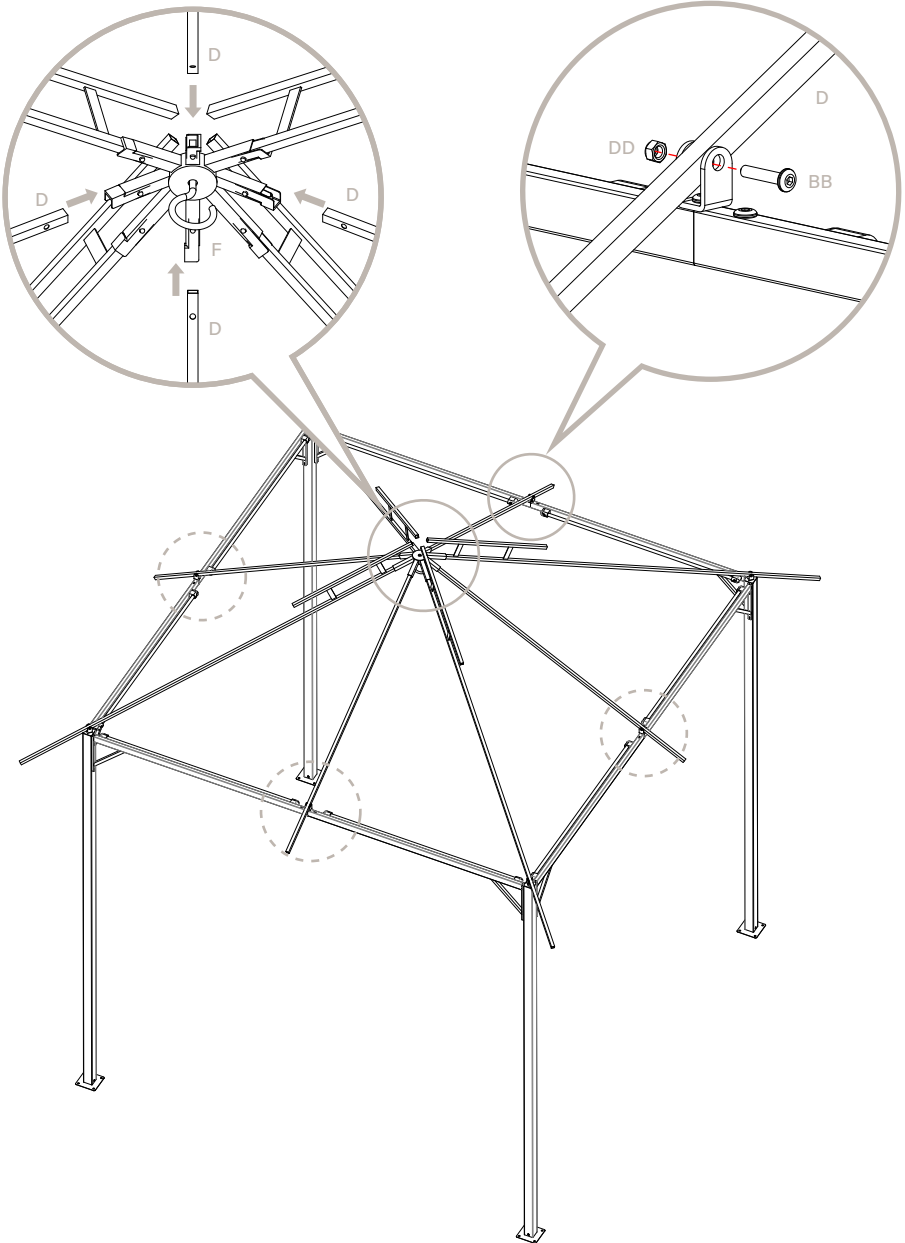


2.1

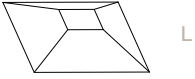


This step needs 2 people to set up a ladder to operate.

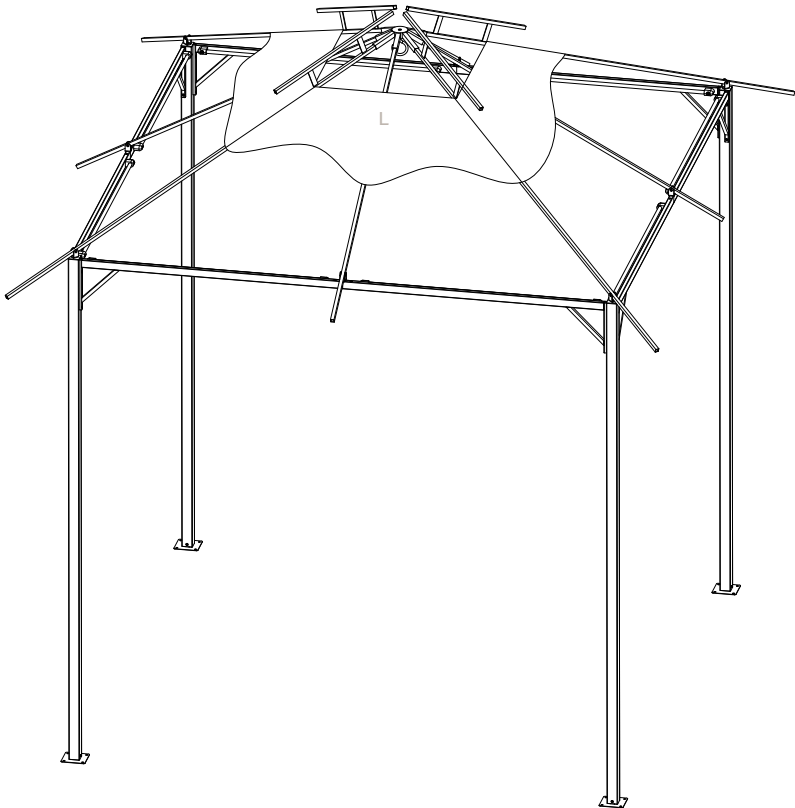
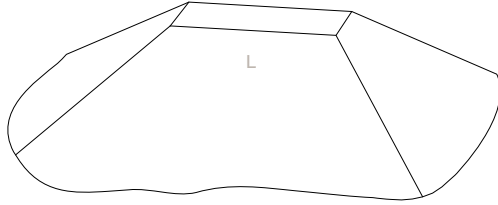
2.2

 D (x4) M6 X 30 BB (x4) M6 DD (x4)

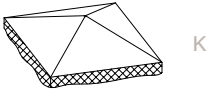
2.3



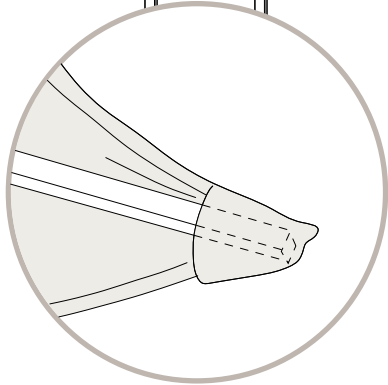
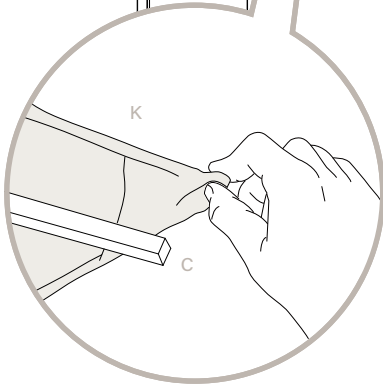
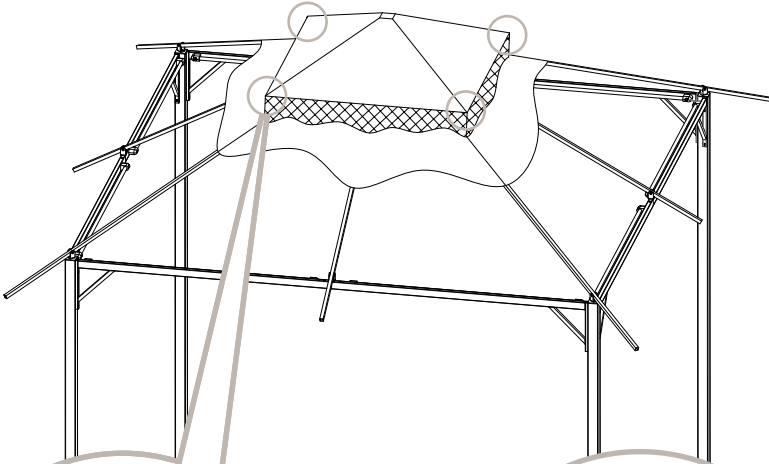
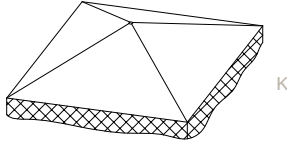
Loose set of top cover L on the top frame.



2.4



Set the small top cover K over the top frame.



2.5

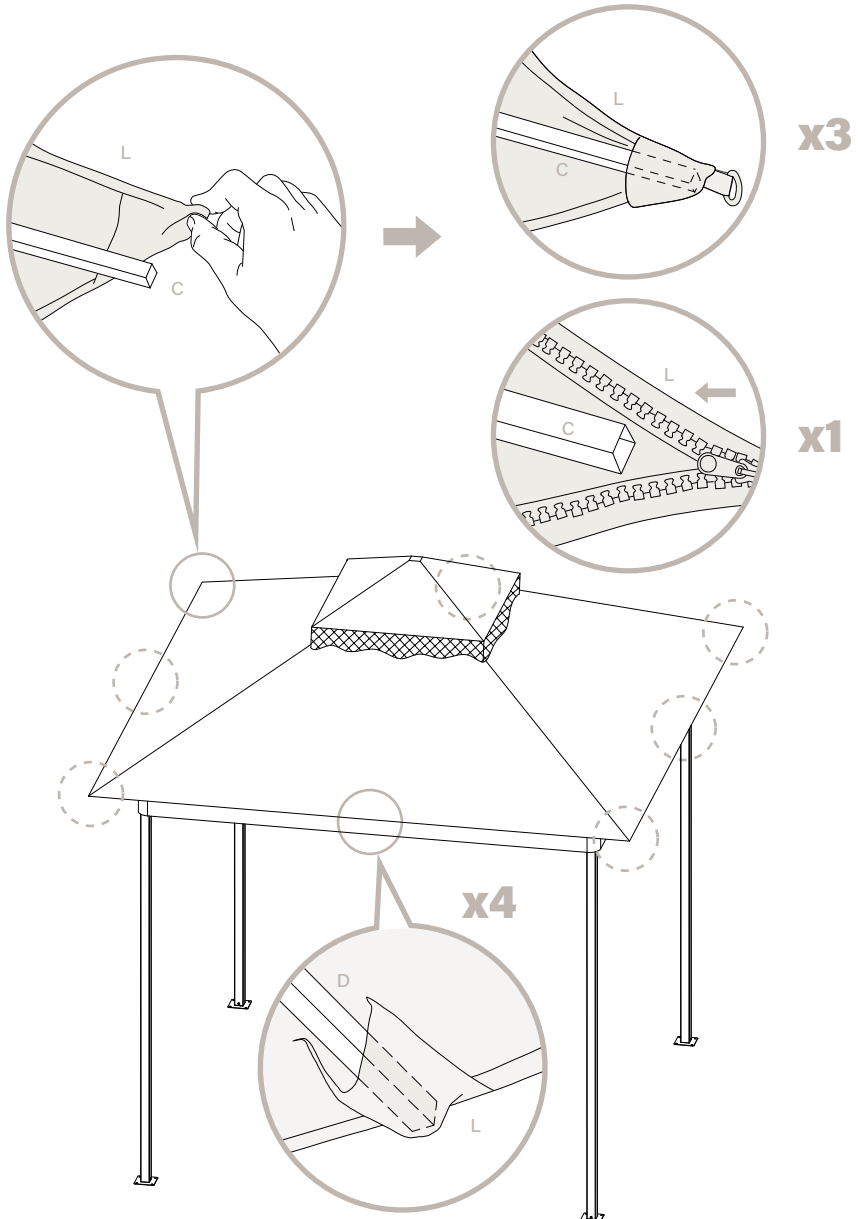
Set the top 4 corners fixed to the frame.

Assembly order:

1. The three C pockets without zippers.
2. The remaining C pocket with zippers.
3. The four D pockets.

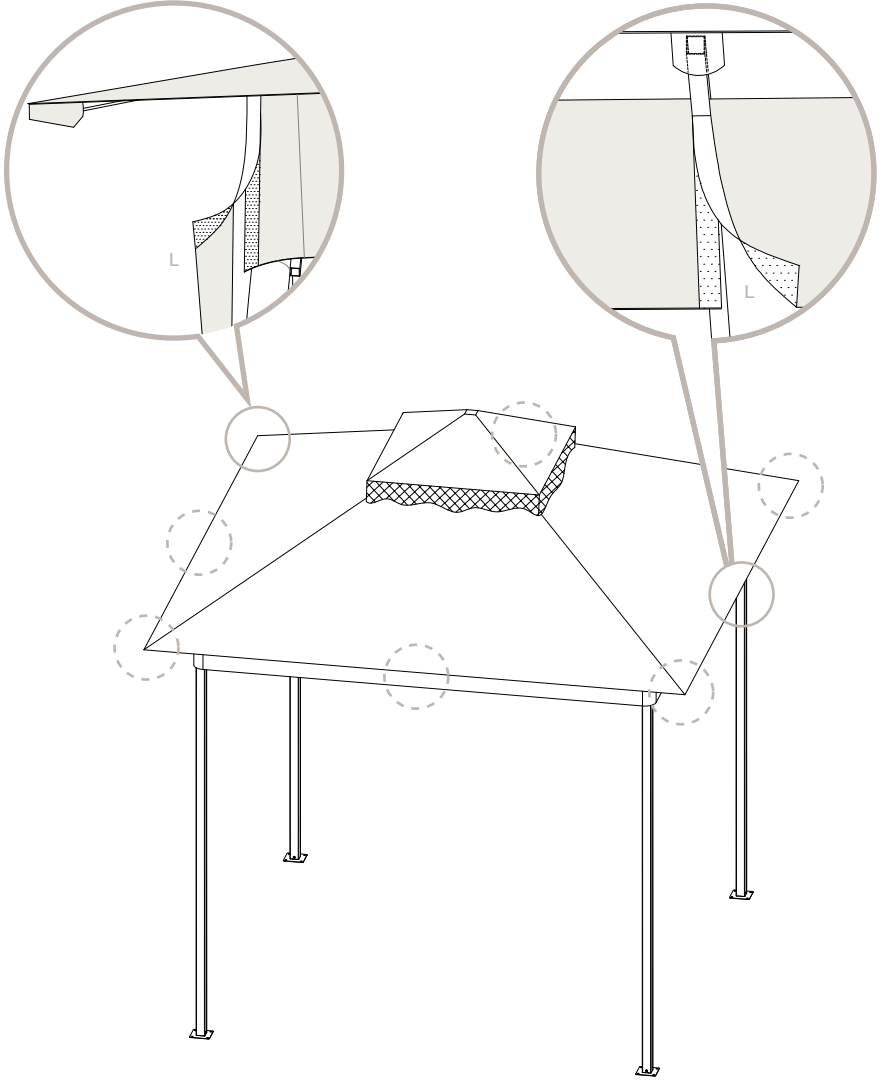
Note:

Following this order will make it easier to complete this part, and please do not glue the ruffles onto the pockets during this step.

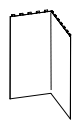


2.6

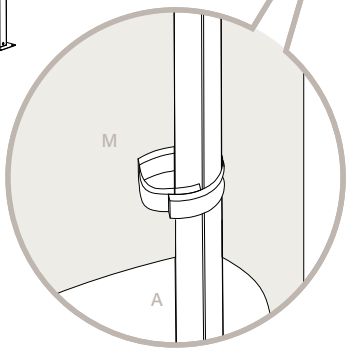
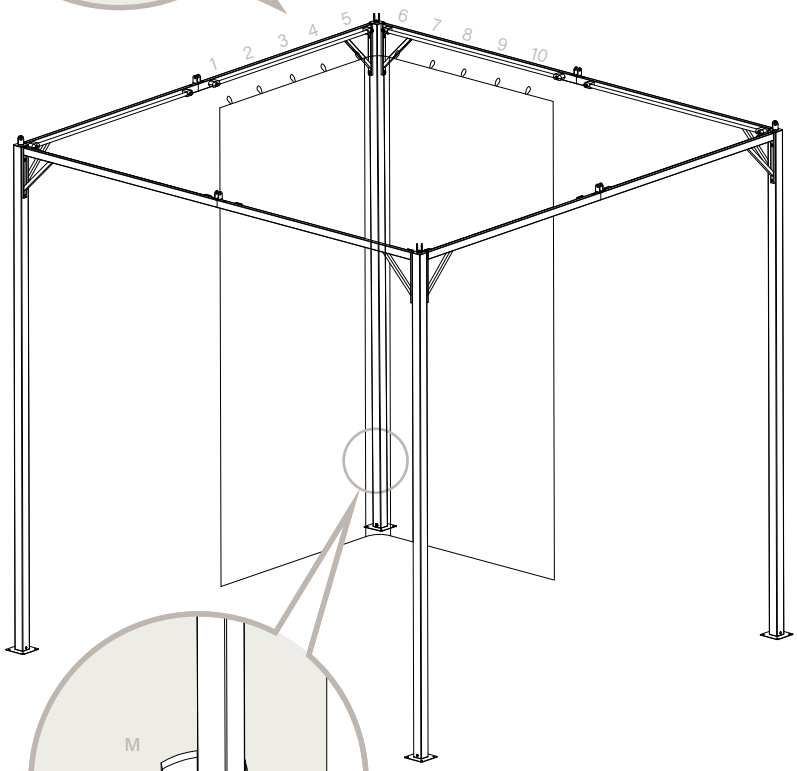
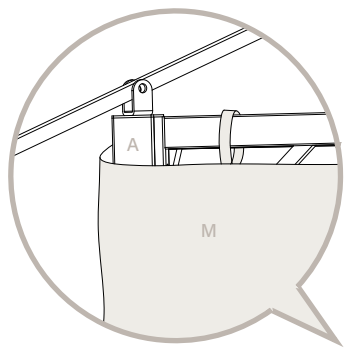
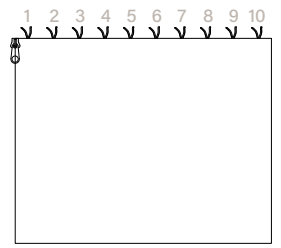
Set the top 4 sides fixed to the frame.



2.7



M (x4)



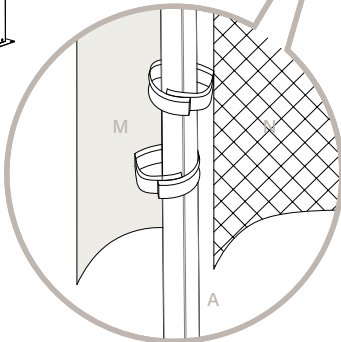
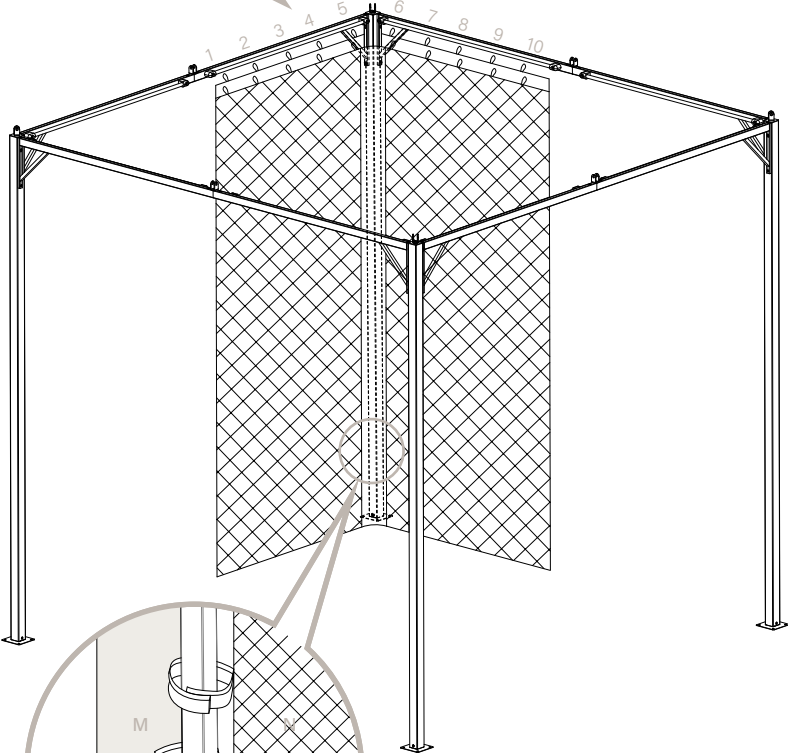
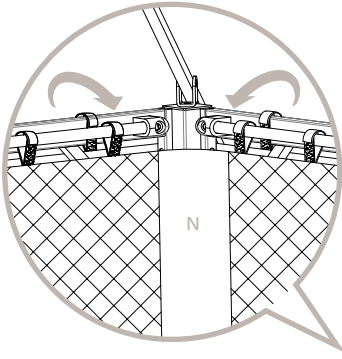
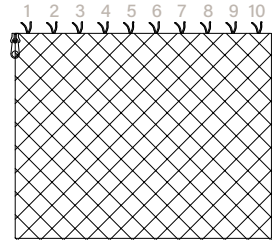
Secure the curtains on frame A by the lower straps.



2.8



N (x4)

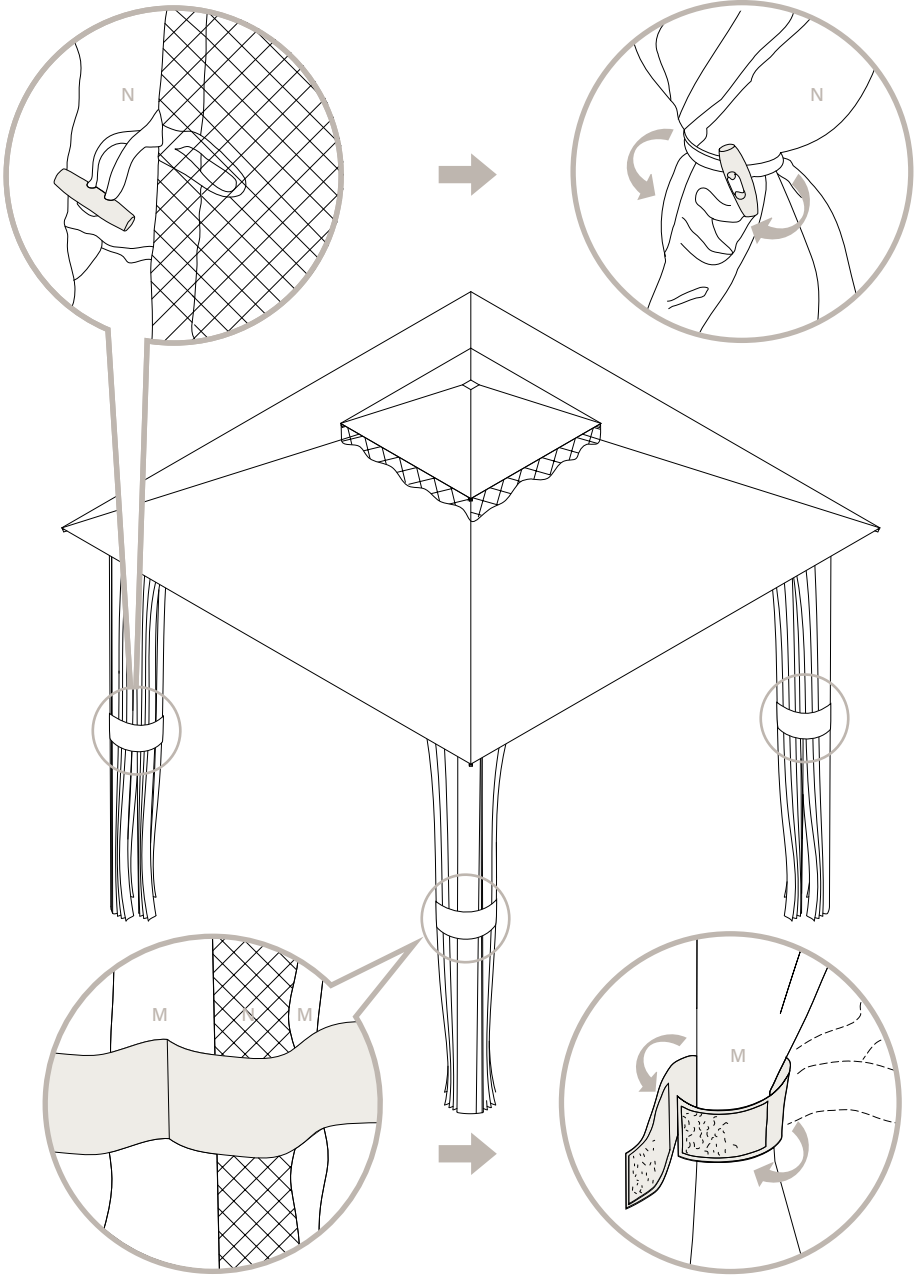


Secure the curtains on frame A by the lower straps.



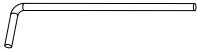
2.9

The netting N and the curtains M can be fixed to the frame A by the straps when the net/curtains are not using.



Strengthen Frame Stability

3.1



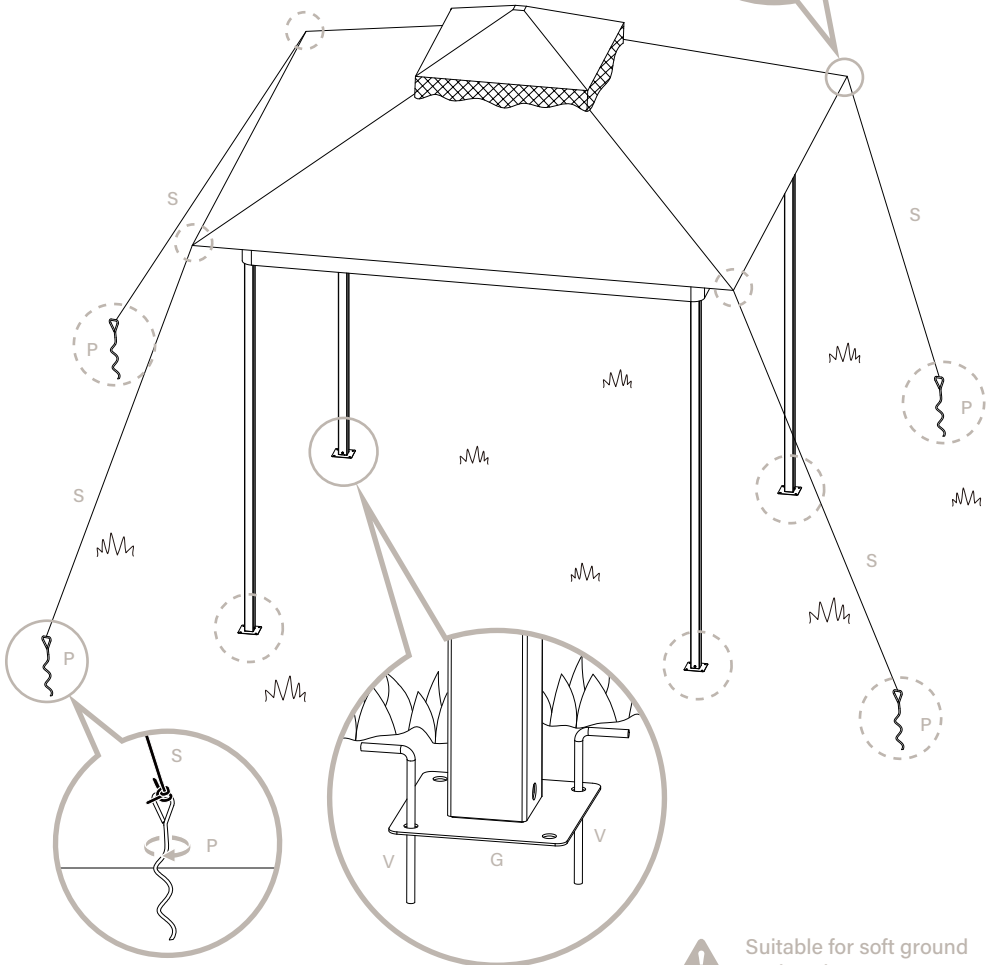
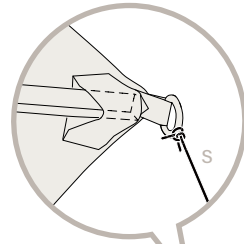
V (x8)



P (x4)



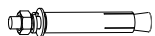
S (x4)



Suitable for soft ground such as lawn.

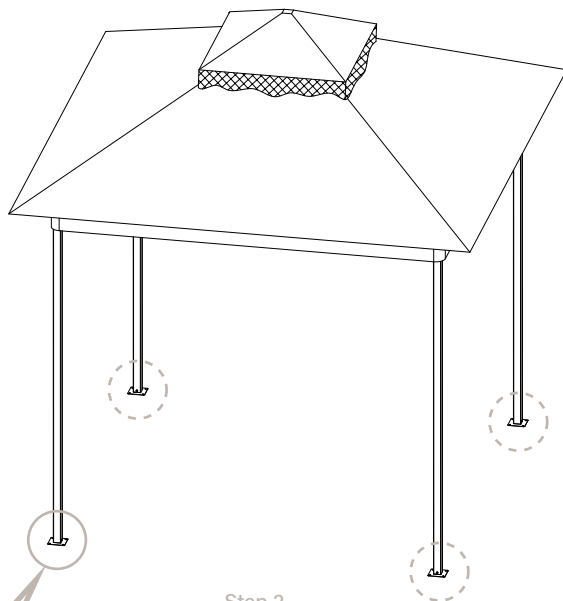


3.2



Q (x8)

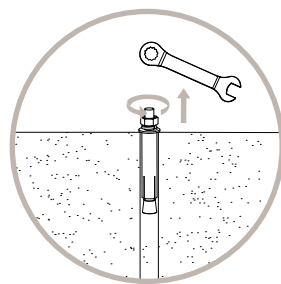
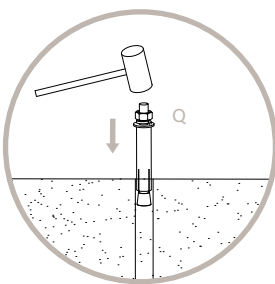
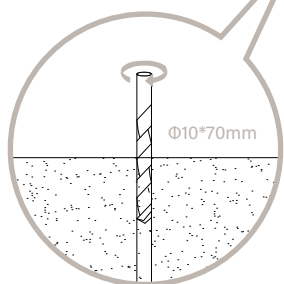
 Suitable for hard floors.



Step 1

Step 2

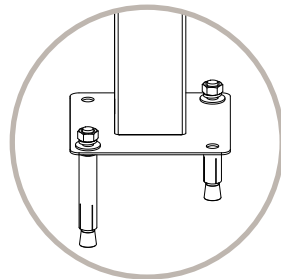
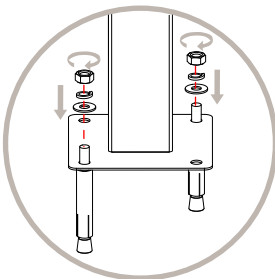
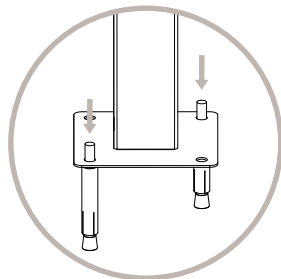
Step 3



Step 4

Step 5

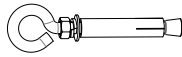
Step 6



3.3



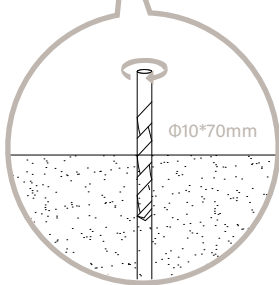
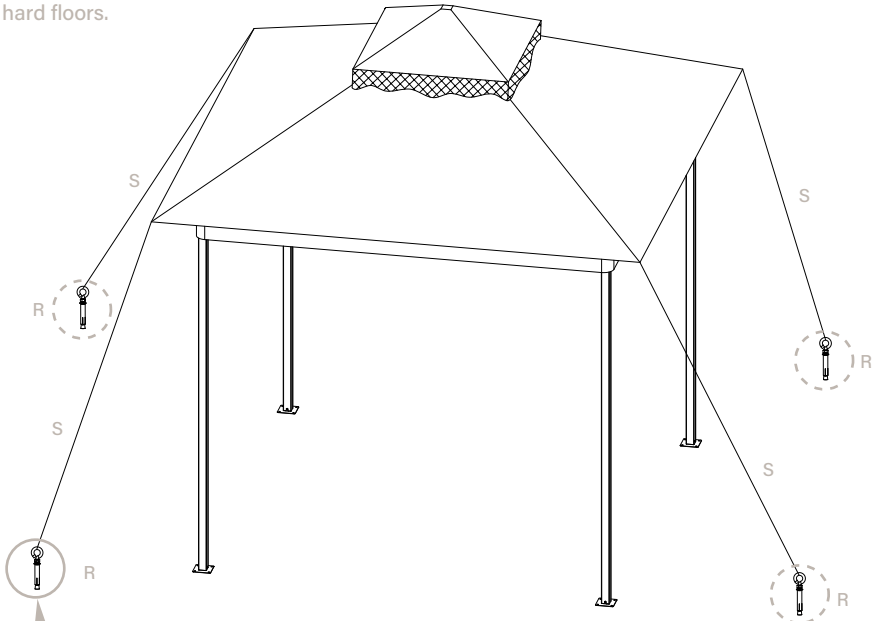
S (x4)



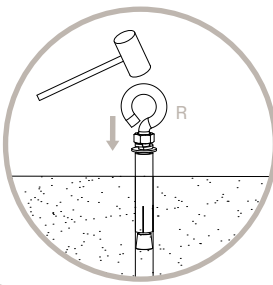
R (x4)



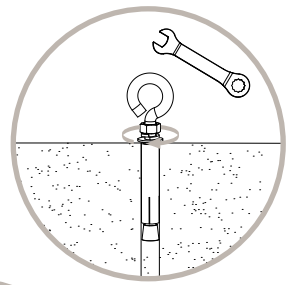
Suitable for
hard floors.



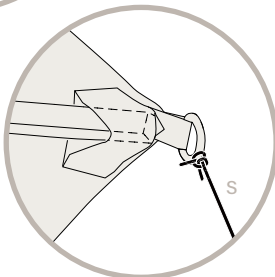
Step 1



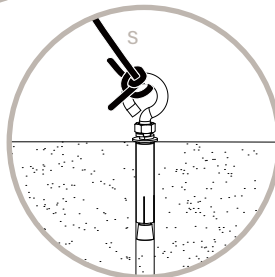
Step 2



Step 3



Step 4



Step 5

