

ASSEMBLY INSTRUCTIONS

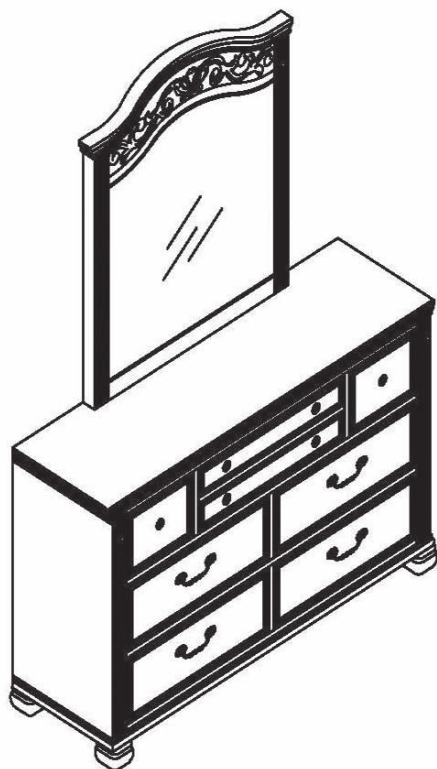
Caution: Please read instructions thoroughly before unpacking assembly parts. Sharp, exposed staple tips can cause injury. Therefore, for your protection, please remove any exposed staple used in packing.

1. Two people are required to safely assemble this product.

2. Be sure to check all hardware in case that small parts may come loose inside the carton during shipment.

3. Please do not over tighten screws or bolts.

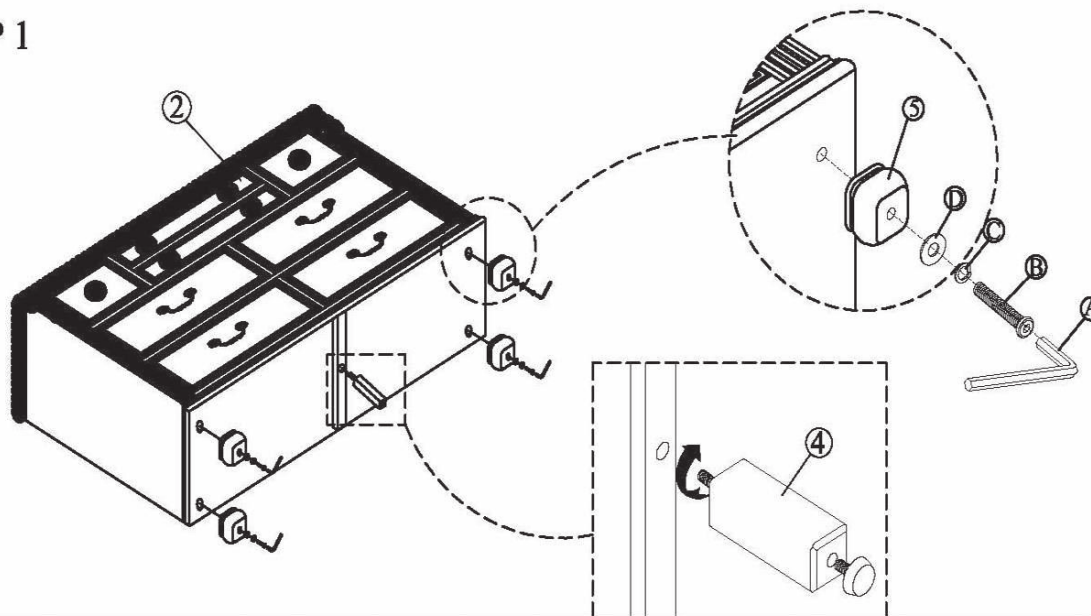
4. Please unpack the box and place the contents on a flat, level and soft surface.



PART LISTS			
PARTS	DESCRIPTION	SKETCH	QTY
1	Mirror		1PC
2	Dresser		1PC
3	Mirror Support		2PCS
4	DRAWER CENTER SUPPORT		1PC
5	Legs		4PCS

HARD WARE PACK			
PARTS	DESCRIPTION	SKETCH	QTY
A	ALLEN KEY		1PC
B	JCBC BOLT Ø5/16"×62mm		4PCS
C	SPRING WASHER Ø5/16"Ø12mm		4PCS
D	FLAT WASHER Ø5/16"Ø16mm		4PCS
E	JCBC BOLT Ø1/4"×32mm		8PCS
F	SPRING WASHER Ø1/4"Ø12mm		8PCS
G	FLAT WASHER Ø1/4"Ø19mm		8PCS
H	Tipping restraint		1PC

STEP 1



ASSEMBLY INSTRUCTIONS

Caution: Please read instructions thoroughly before unpacking assembly parts. Sharp, exposed staple tips can cause injury. Therefore, for your protection, please remove any exposed staple used in packing.

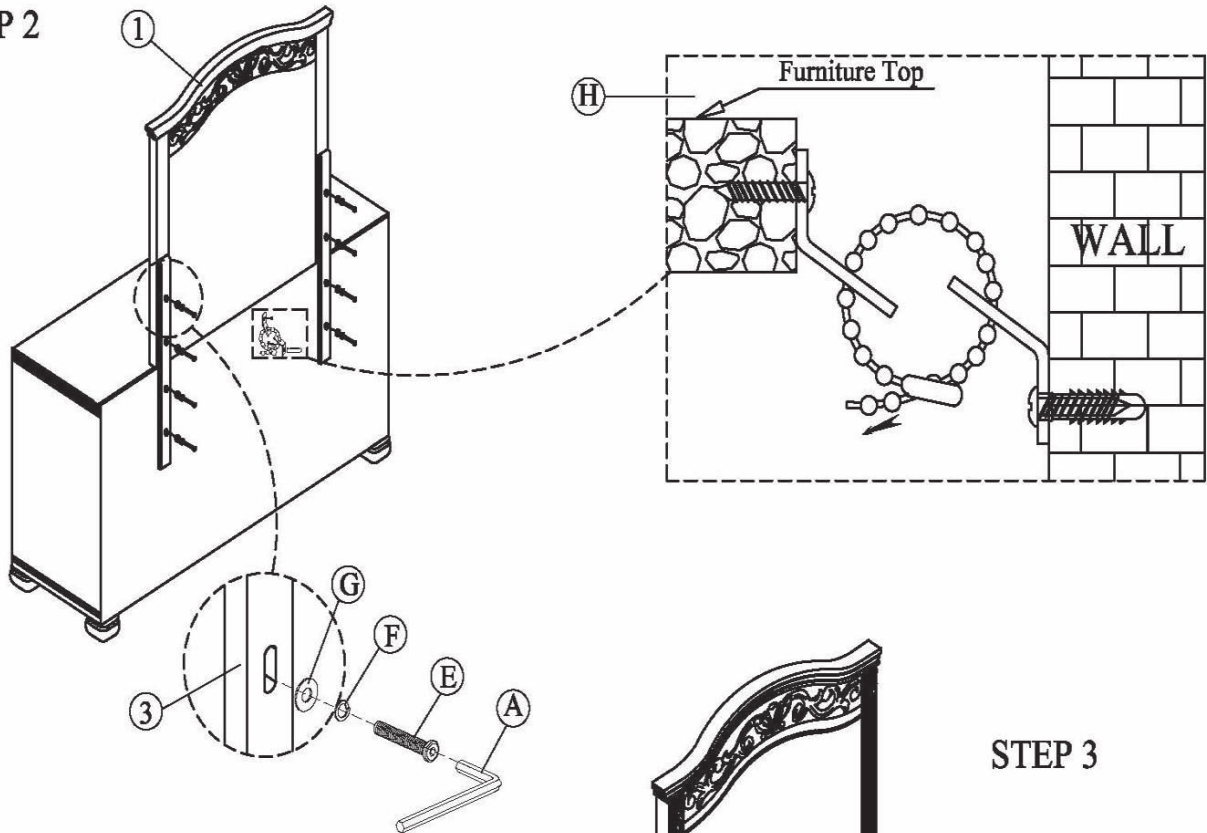
1. Two people are required to safely assemble this product.

2. Be sure to check all hardware in case that small parts may come loose inside the carton during shipment.

3. Please do not over tighten screws or bolts.

4. Please unpack the box and place the contents on a flat, level and soft surface.

STEP 2



STEP 3

