




ASSEMBLY INSTRUCTION

No	Hardware	Fig	Q.ty
①	Bolt M6 x 15mm		48
②	Washer M6x 16x1 (Iron)		48
③	Allen Key M4 x 80mm		2

Ⓒ

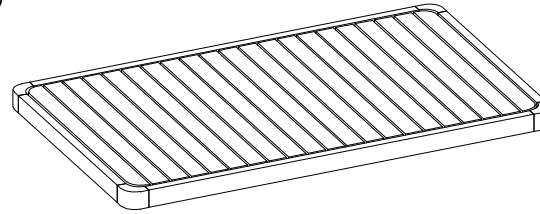
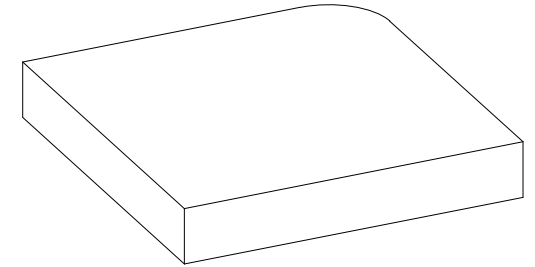


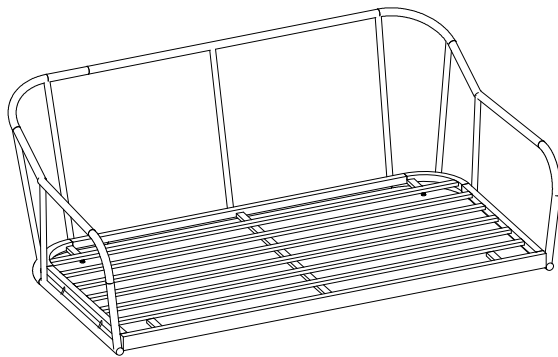
Table Top x 1

Ⓕ



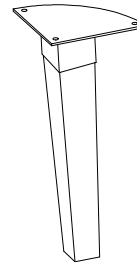
Sofa Cushion Left x 1

Ⓐ



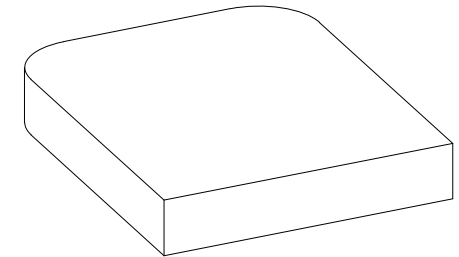
Sofa Base x 1

Ⓓ



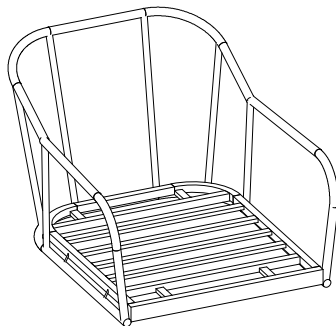
Leg x 16

Ⓖ



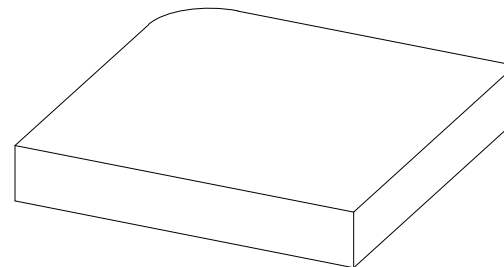
Chair Cushion x 2

Ⓑ



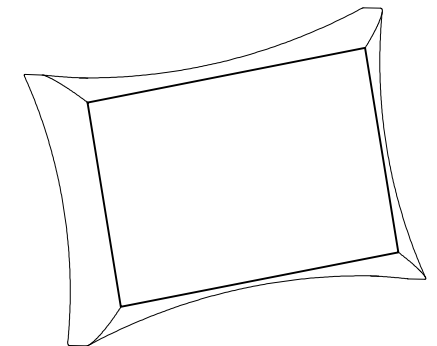
Chair Base x 2

Ⓔ



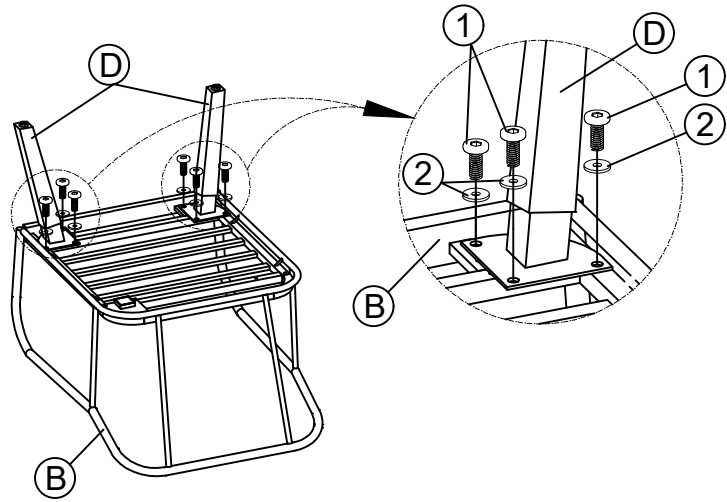
Sofa Cushion Right x 1

Ⓖ



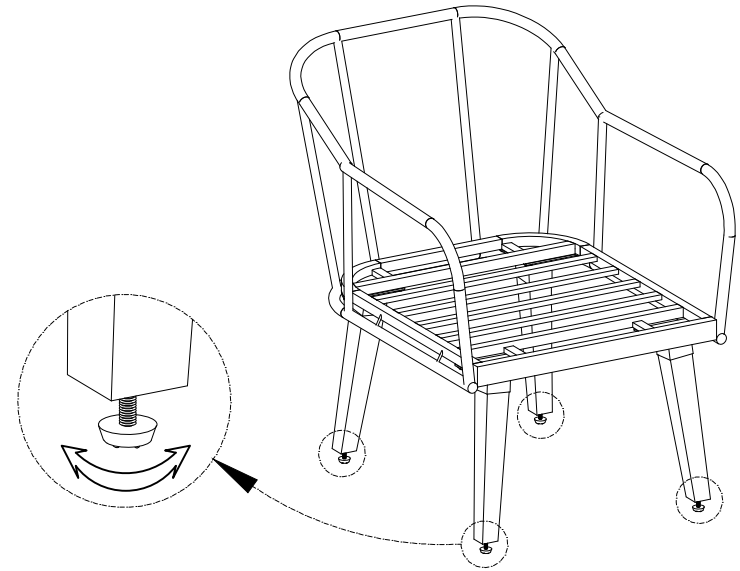
Back Cushion x 4

ASSEMBLY INSTRUCTION



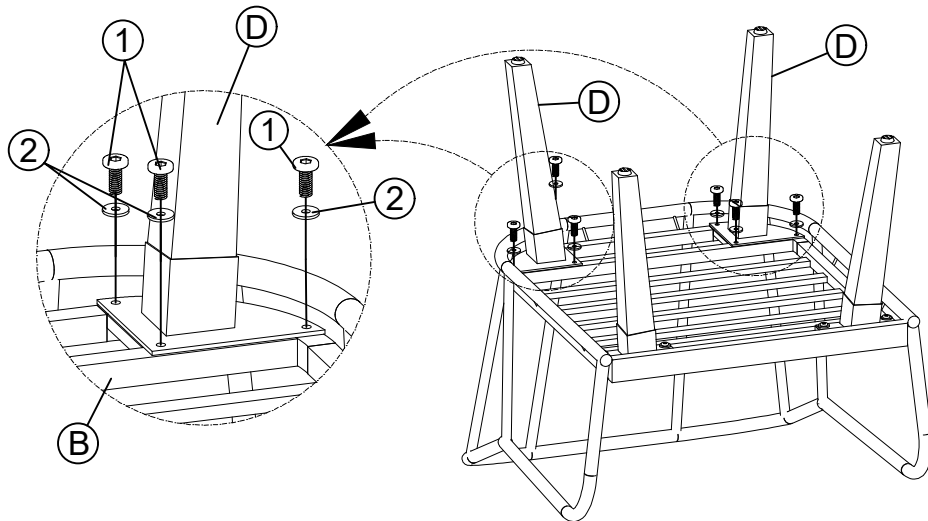
STEP 1

X2



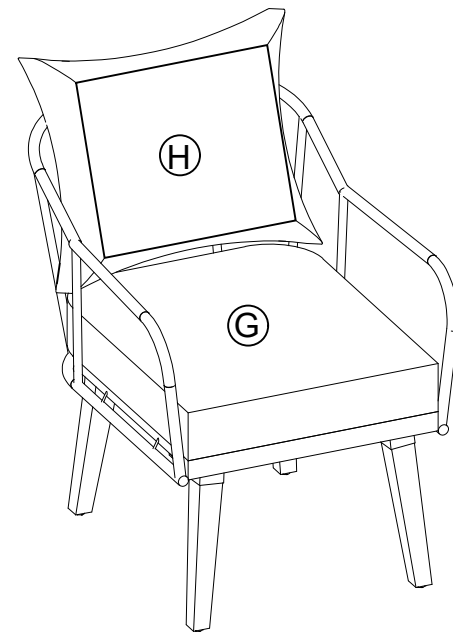
STEP 3

X2



STEP 2

X2

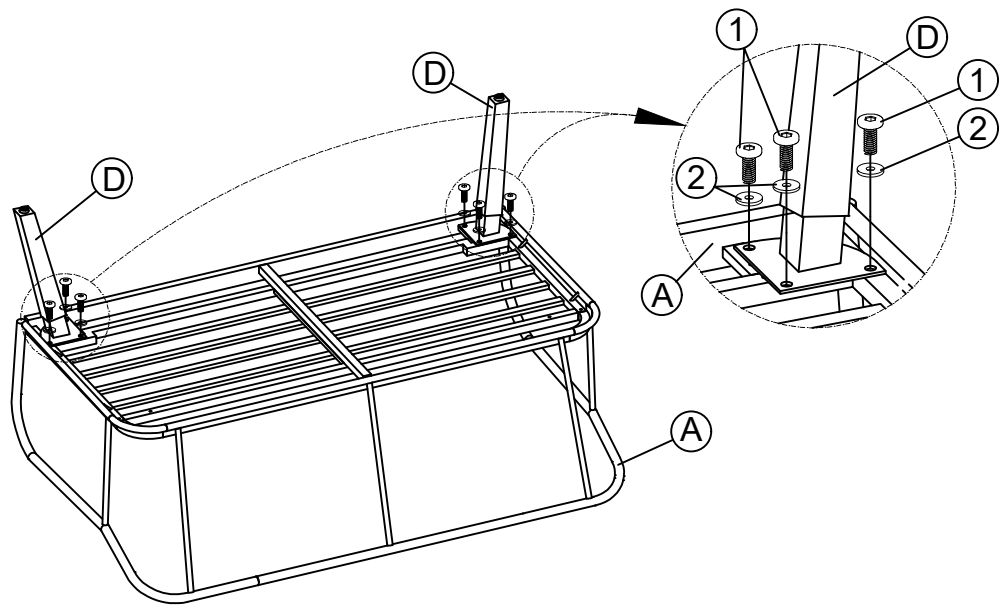


STEP 4

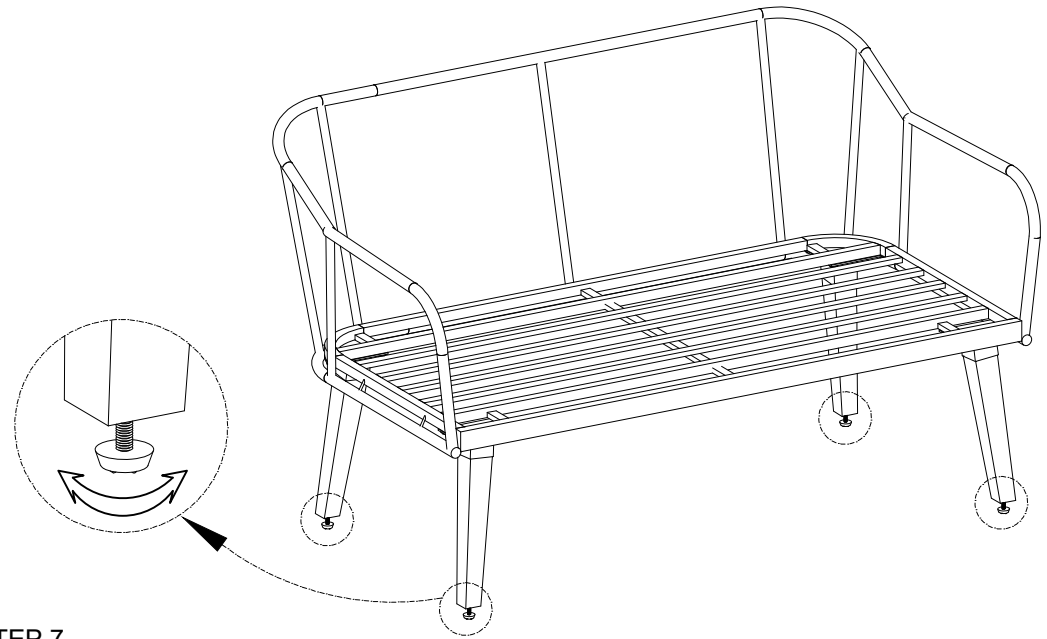
X2

OK

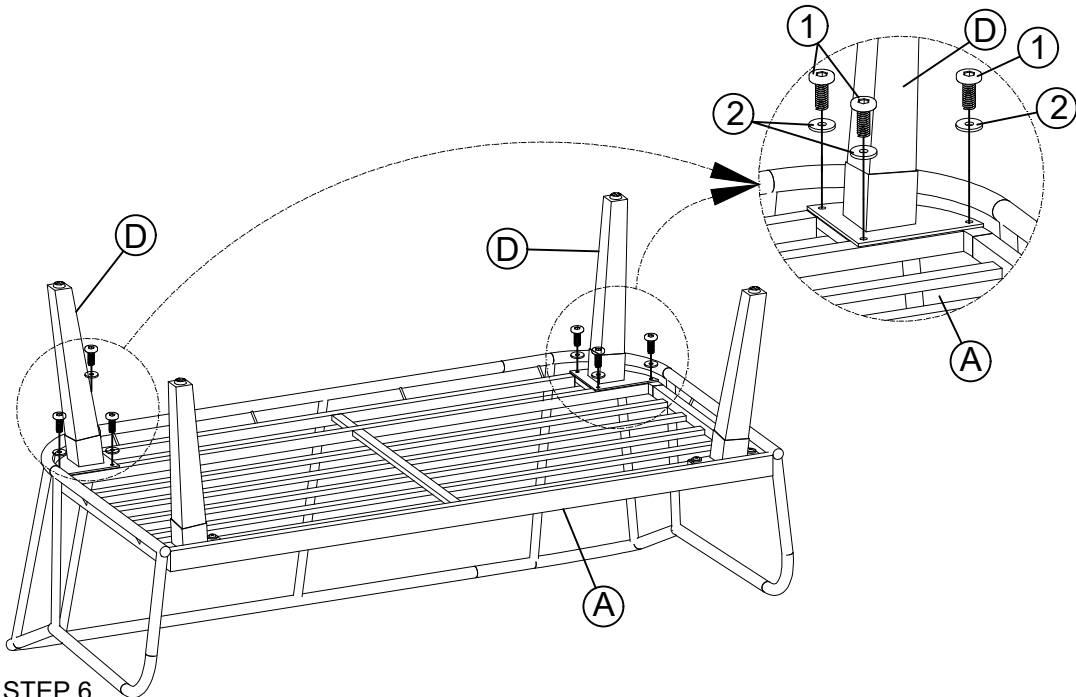
ASSEMBLY INSTRUCTION



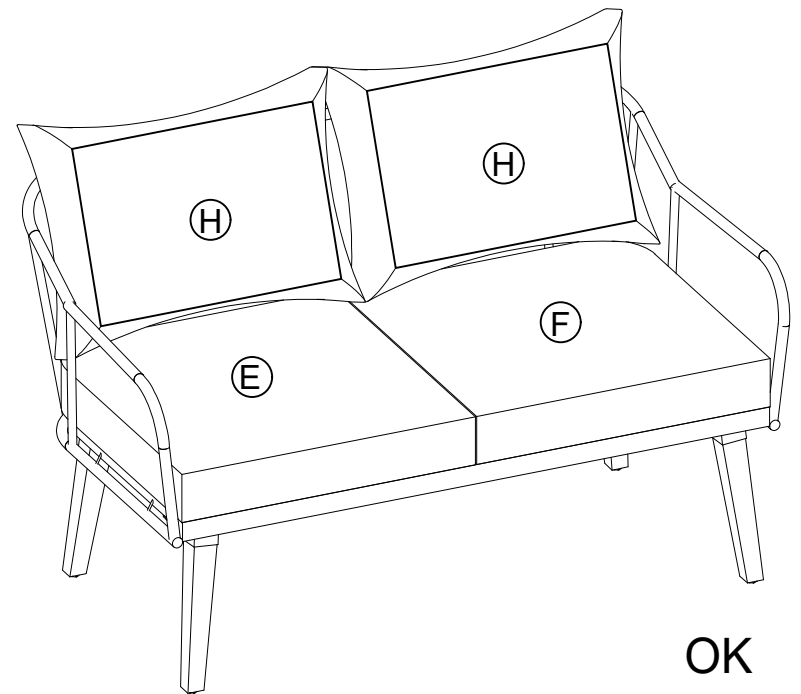
STEP 5



STEP 7



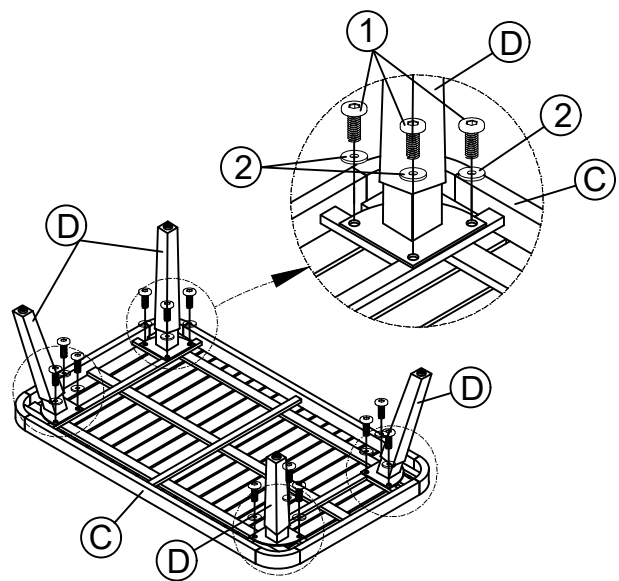
STEP 6



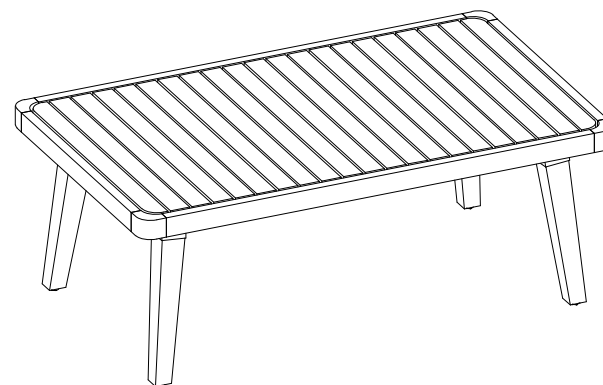
STEP 8

OK

ASSEMBLY INSTRUCTION

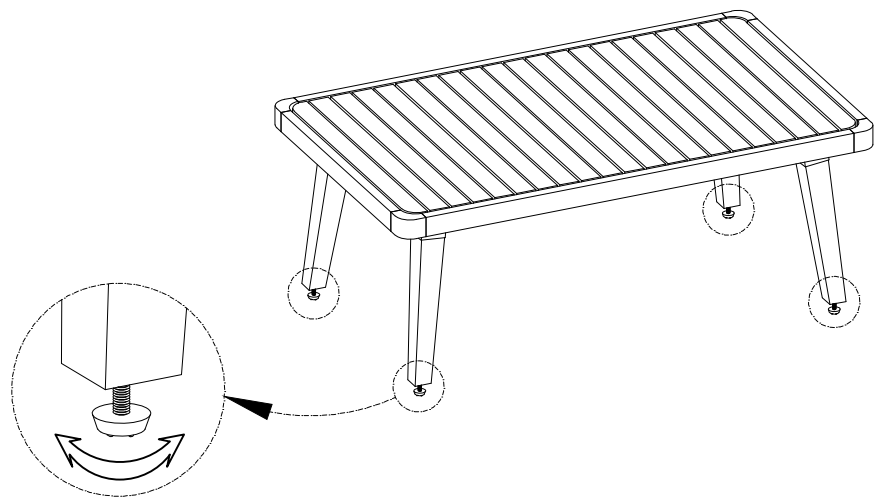


STEP 9



OK

STEP 11



STEP 10

