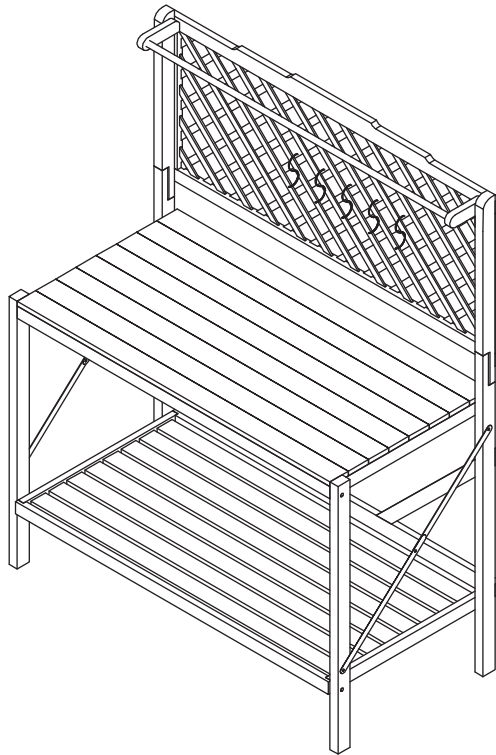


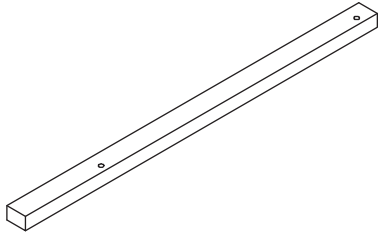
CARE INSTRUCTIONS

Thank you for choosing northbeam™ FOLDABLE POTTING BENCH. With a little care and maintainance, the northbeam™ FOLDABLE POTTING BENCH will provide you with comfort and enjoyment for many years to come!

- To clean panels, use clean water on a damp cloth.
- When assembling northbeam™ FOLDABLE POTTING BENCH, please handle all the panels and/or hardware with care to avoid any possibilities of damages and/or injuries.
- Cover during harsh weather to keep it from weathering.
- It is highly recommended that you treat the northbeam™ FOLDABLE POTTING BENCH with a weatherproof coating of stain once a year, to increase life expectancy and maintain the look.

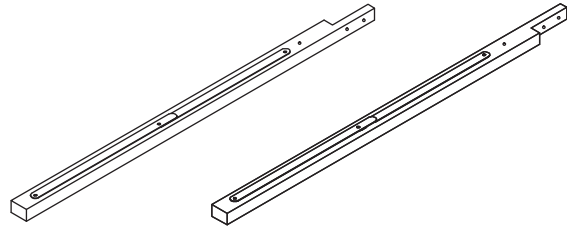


NOTE: Please read all instructions carefully before starting assembly. Also, we recommend that the unit is fully assembled on a level surface. Two people are recommended to assemble this product. **DO NOT** over torque screws and bolts.

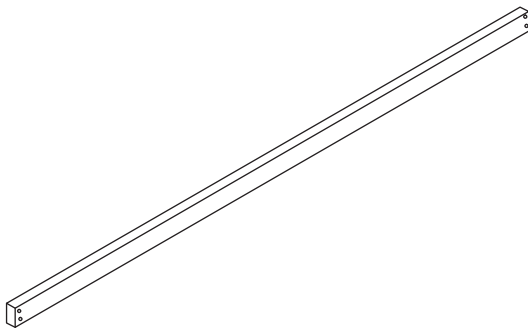
**A**

FRONT LEGS

X 2PCS

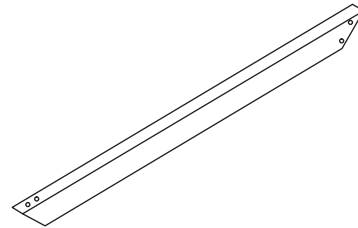
**B**

BACK LEGS W/ METAL BRACE X 2PCS

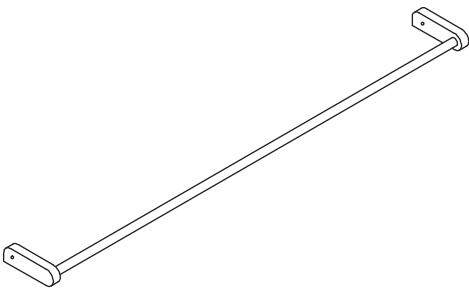
**C**

CROSS BEAM

X 1PC

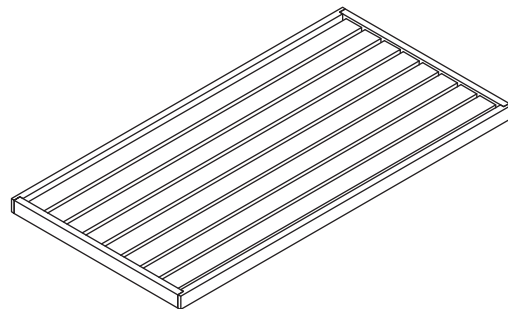
**D**

DIAGONAL SUPPORT BEAMS X 2PCS

**E**

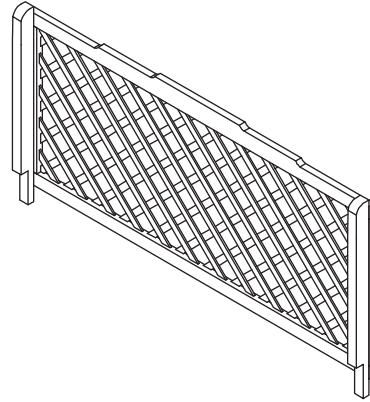
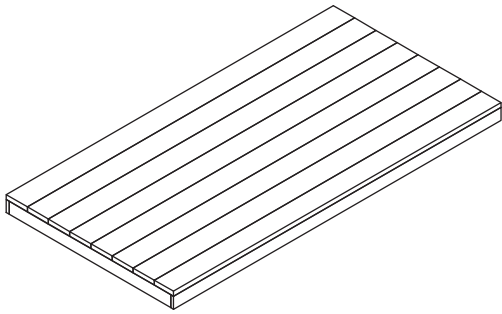
HANGING BAR

X 1PC

**F**

PRE-ASSEMBLED BOTTOM TRAY X 1PC

NOTE: Please read all instructions carefully before starting assembly.
Also, we recommend that the unit is fully assembled on a level surface.
Two people are recommended to assemble this product.
DO NOT over torque screws and bolts.



G

PRE-ASSEMBLED TOP TRAY

X 1PC

H

PRE-ASSEMBLED BACKING

X 1PC



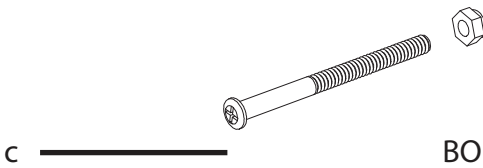
SCREW 3.5X40

18PCS



SCREW 3.5X25

2PCS



BOLT 6X60

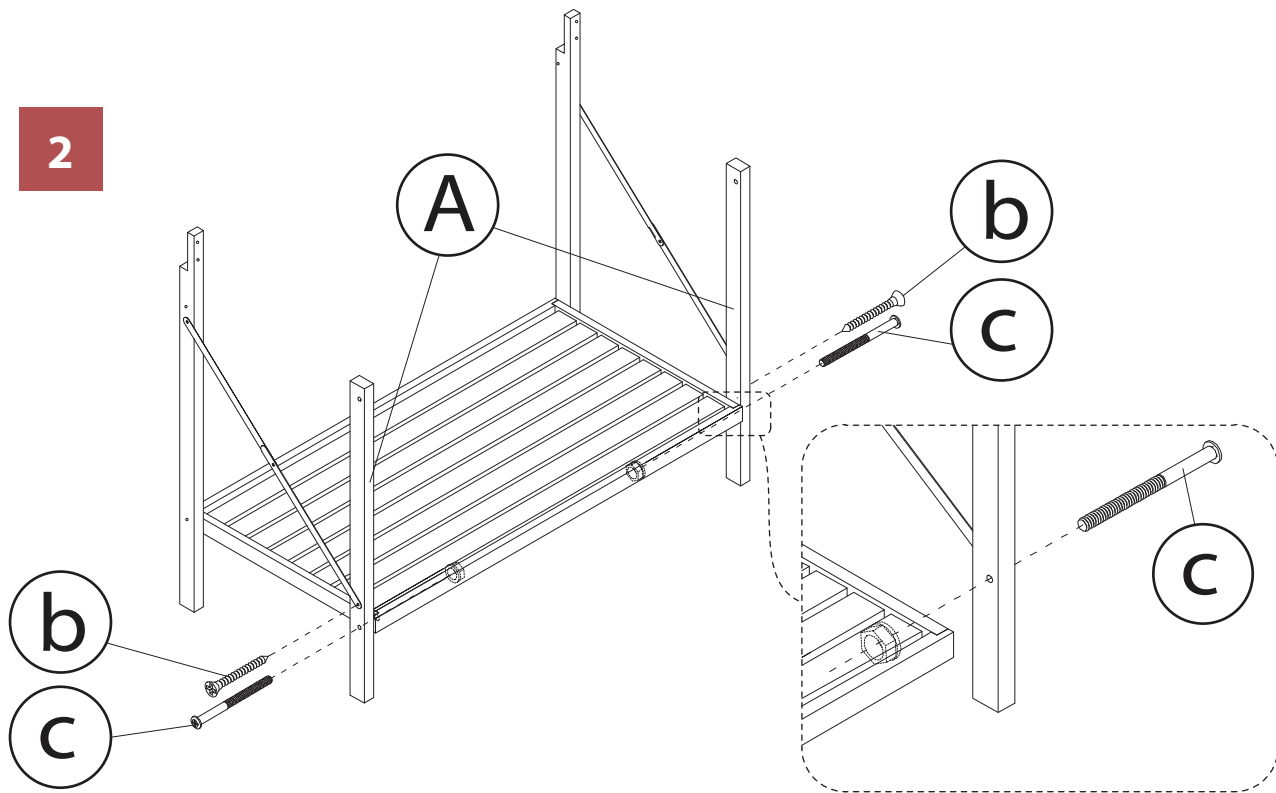
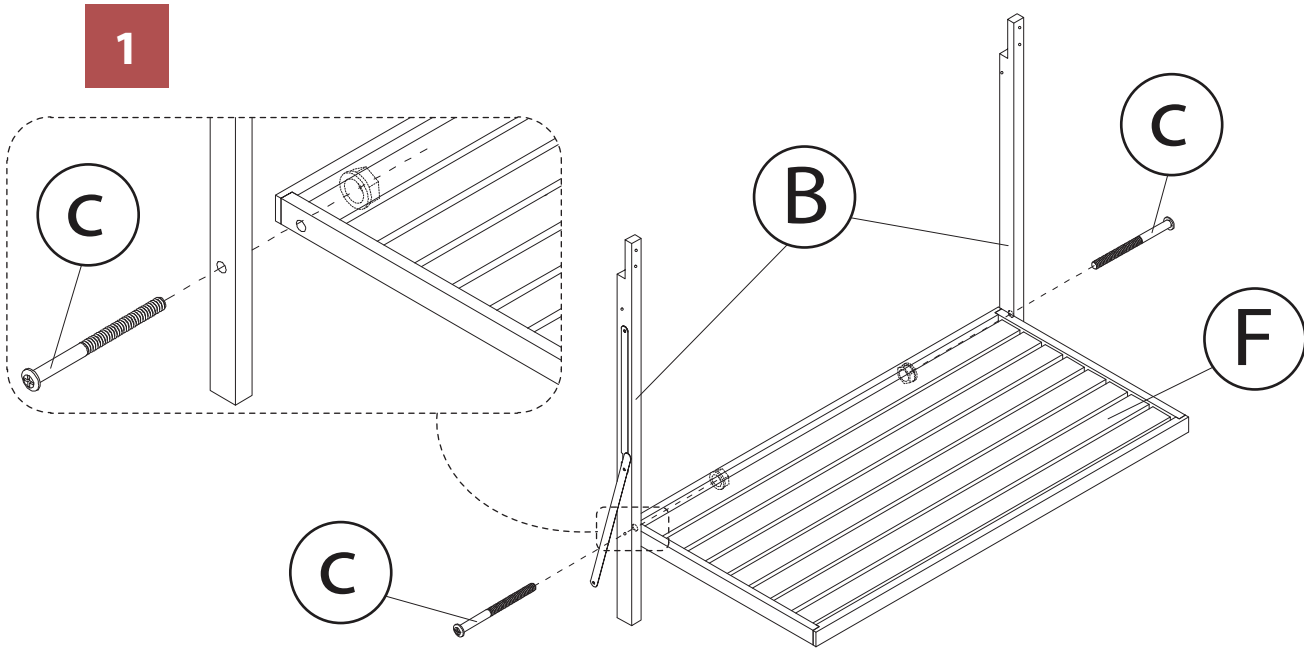
8PCS



S-HOOK

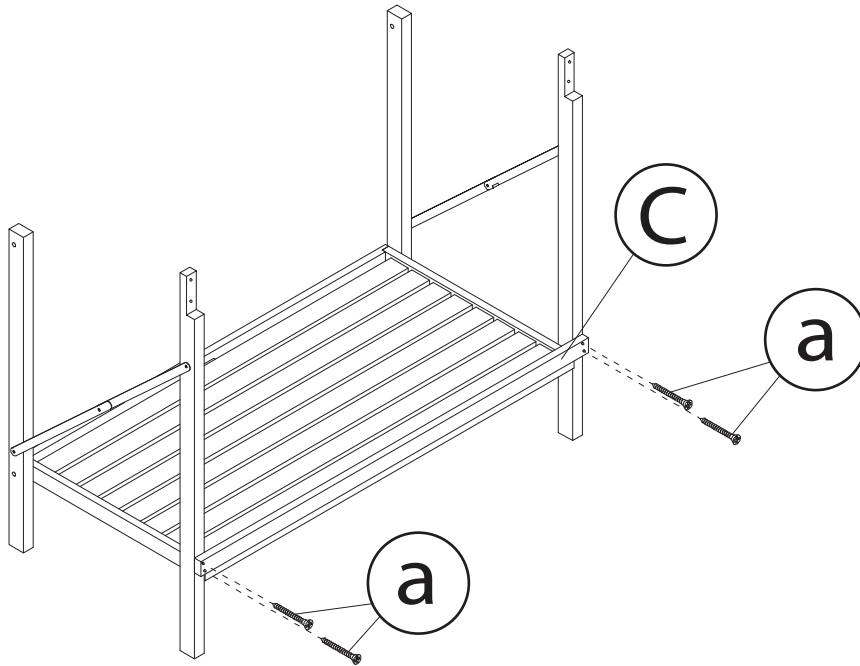
5PCS

NOTE: Please read all instructions carefully before starting assembly.
 Also, we recommend that the unit is fully assembled on a level surface.
 Two people are recommended to assemble this product.
 DO NOT over torque screws and bolts.

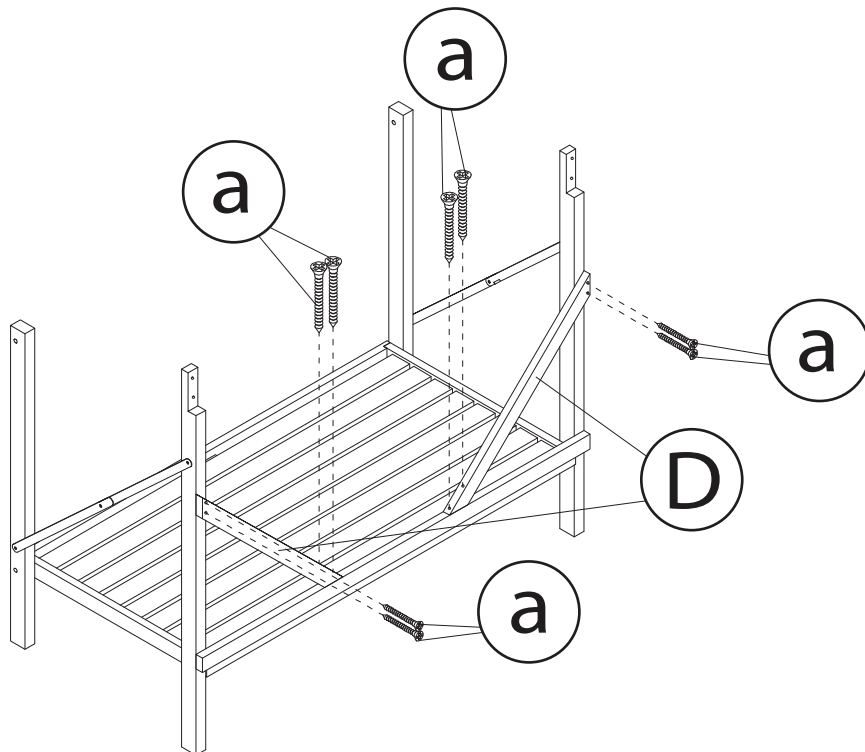


NOTE: Please read all instructions carefully before starting assembly.
 Also, we recommend that the unit is fully assembled on a level surface.
 Two people are recommended to assemble this product.
 DO NOT over torque screws and bolts.

3

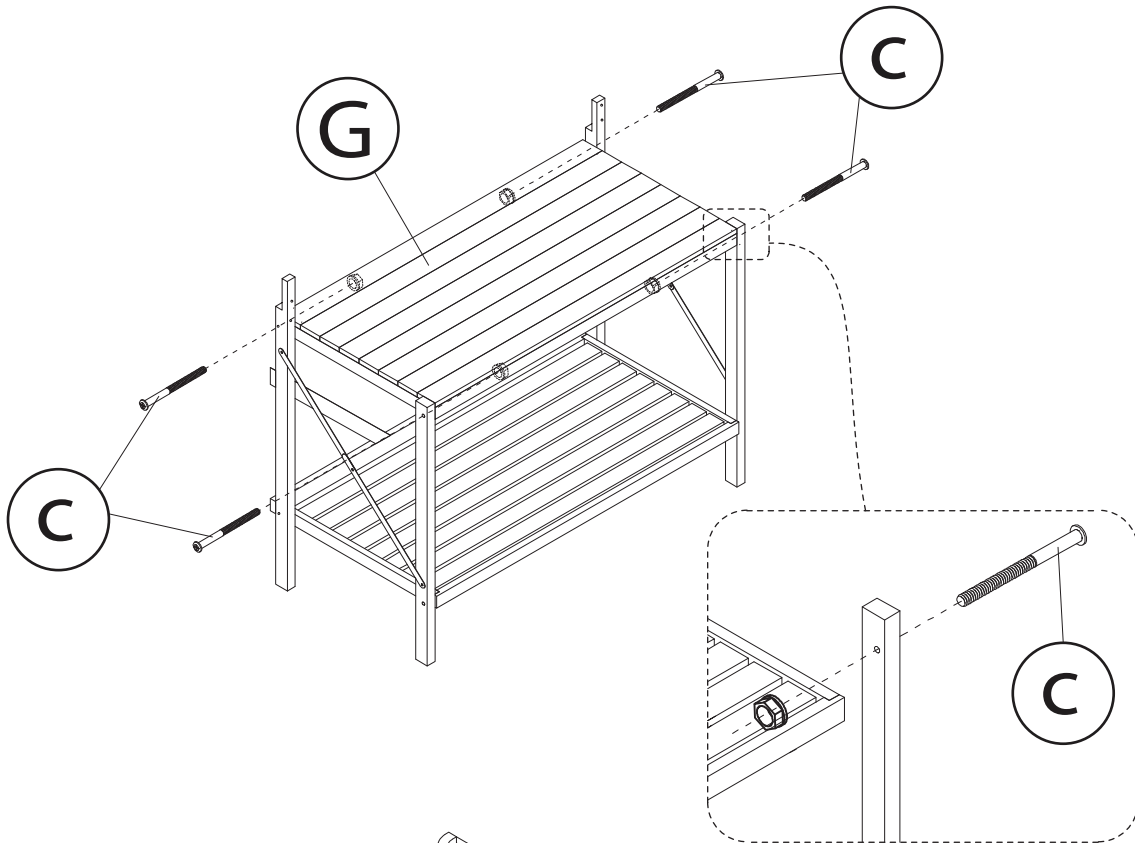


4

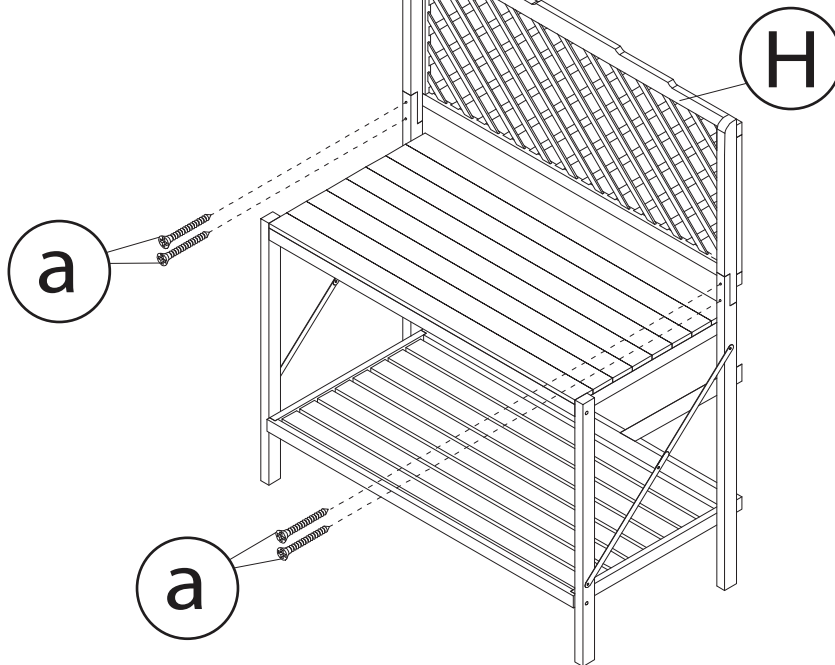


NOTE: Please read all instructions carefully before starting assembly. Also, we recommend that the unit is fully assembled on a level surface. Two people are recommended to assemble this product. DO NOT over torque screws and bolts.

5

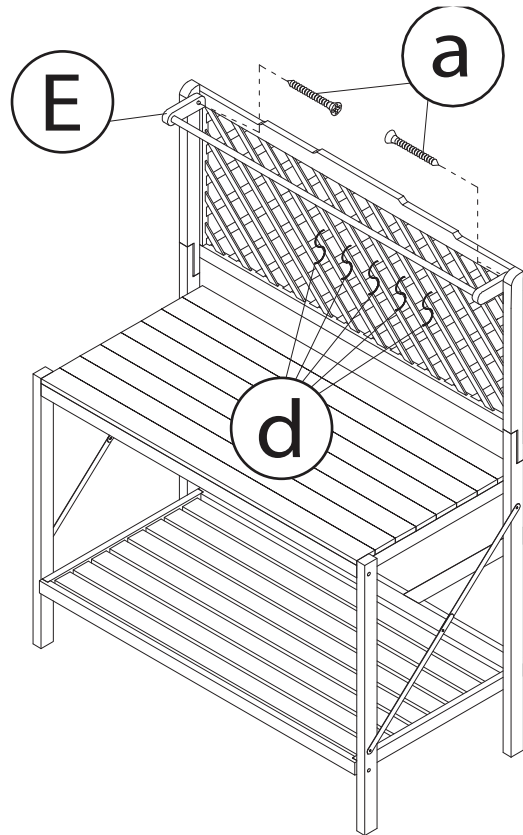


6

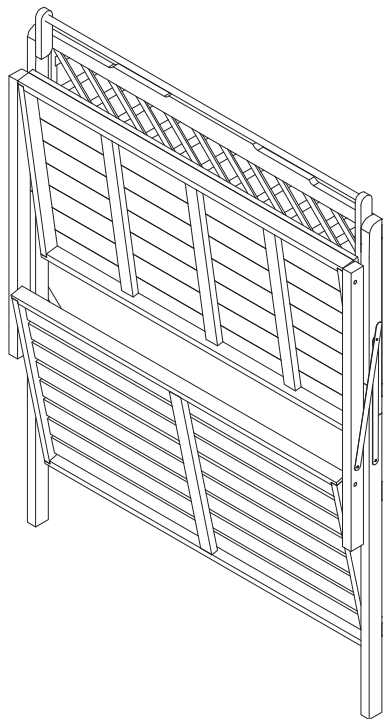


NOTE: Please read all instructions carefully before starting assembly.
Also, we recommend that the unit is fully assembled on a level surface.
Two people are recommended to assemble this product.
DO NOT over torque screws and bolts.

7



8



NOTE: Please read all instructions carefully before starting assembly. Also, we recommend that the unit is fully assembled on a level surface. Two people are recommended to assemble this product. DO NOT over torque screws and bolts.