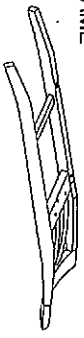







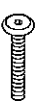
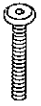
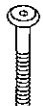
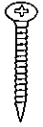



ASSEMBLY INSTRUCTION

Dimension: W.18"xD.21"xH.44"-1/4

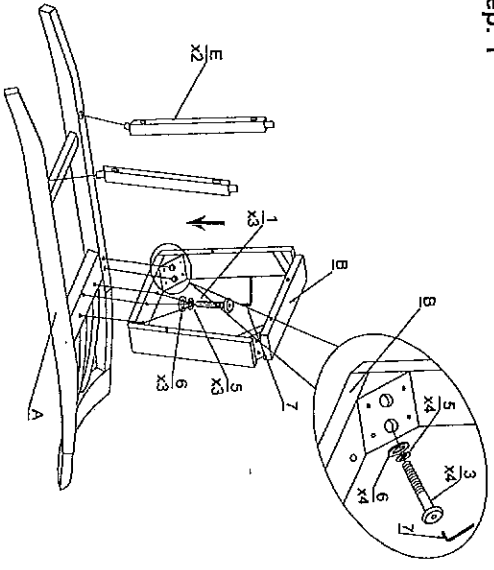
Description: 30 IN SLATBACK STOOL

LIST OF PARTS

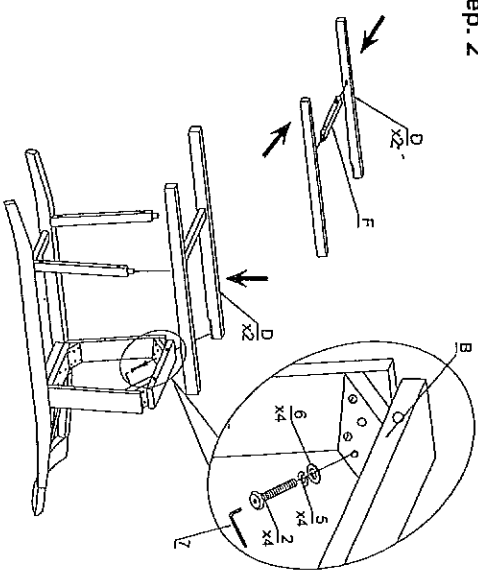
A BACK FRAME		1 pc
B SEAT FRAME		1 pc
C CHAIR SEAT		1 pc
D FRONT LEGS		1 pc
E SIDE STRETCHER		Left-1pc Right-1pc
F FRONT STRETCHER		Left-1pc Right-1pc

LIST OF HARDWARE		
1 SHORT JCBC BOLT		3 pcs
2 MEDIUM JCBC BOLT		4 pcs
3 LONG JCBC BOLT		4 pcs
4 WOOD SCREW		10 pcs
5 LOCK WASHER		11 pcs
6 FLAT WASHER		11 pcs
7 ALLEN KEY		1 pc

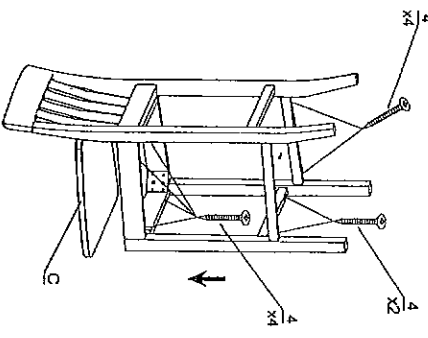
Step. 1



Step. 2



Step. 3



Step. 4

