

# Installation manual

---



## Notes:

1. Open the package and check that the number/code of boards and hardware is complete according to this instruction manual.
2. Follow the picture in the instructions, assemble it step by step and in order ((Tips: Note that the boards and holes are aligned as shown in the picture)).

## General Guidelines

- Please read the following instruction carefully and use the product accordingly.
- Please keep this manual and hand it over when you transfer the product.
- This summary may not include every detail of all variations and considered steps. Please contact us when further information and help are needed.
- If there are any defective or missing parts after unpacking, please cease assembly and get in contact with us immediately.

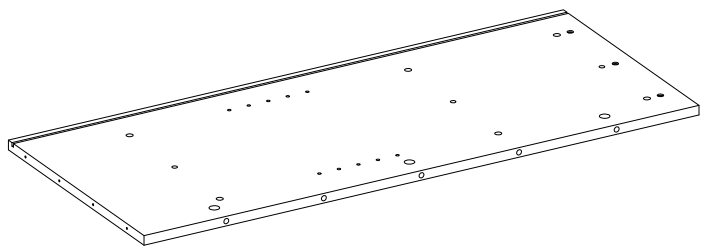
## Notes

- The product must be assembled and used in accordance with the provisions of the manual.
- There may be some odour after unpacking the parcel, please put this item in a ventilated place for a few days and the odour will dissipate.

## Warnings

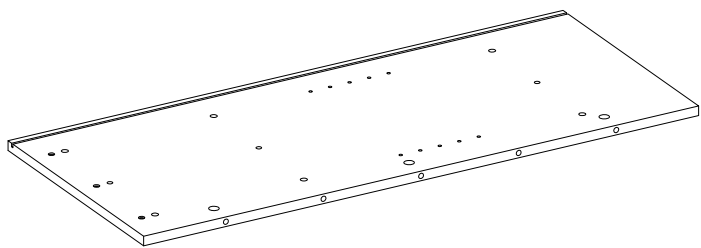
- During the assembly process, keep any small parts out of the reach of children. It may be fatal if swallowed or inhaled.
- To avoid the potential dangers of suffocation, please keep all parts and packaging (films, plastic bags and foam, etc.) away from babies and children.
- Do not stand or sit on the product.
- Never touch with sharp objects or corrosive chemicals, which may damage the surface of the item.
- Do not expose product to direct sunlight or rain; and do not put it in a humid place.

1



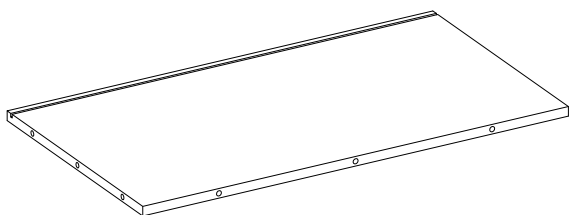
x1

2



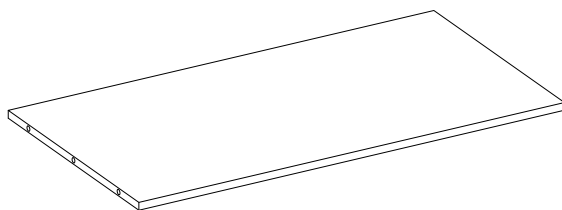
x1

3



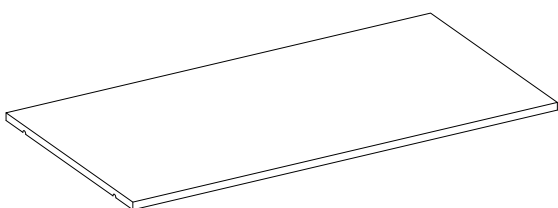
x1

4



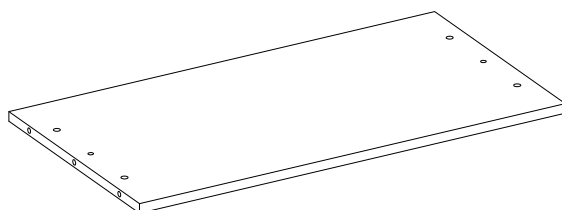
x1

5



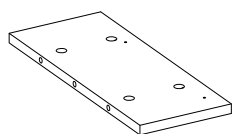
x1

6



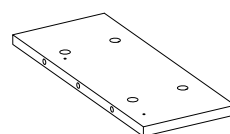
x1

7



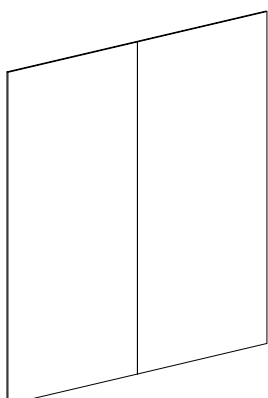
x1

8



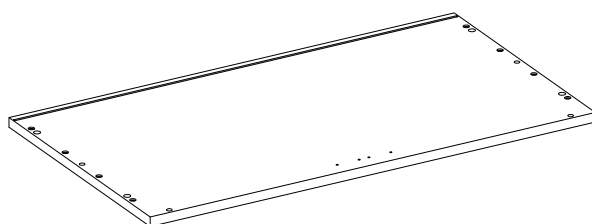
x1

9

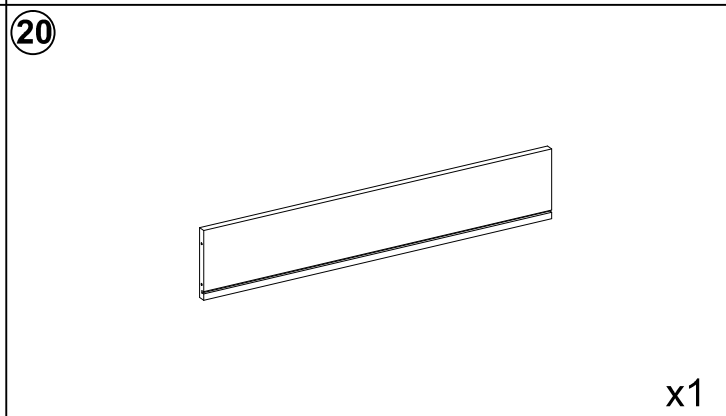
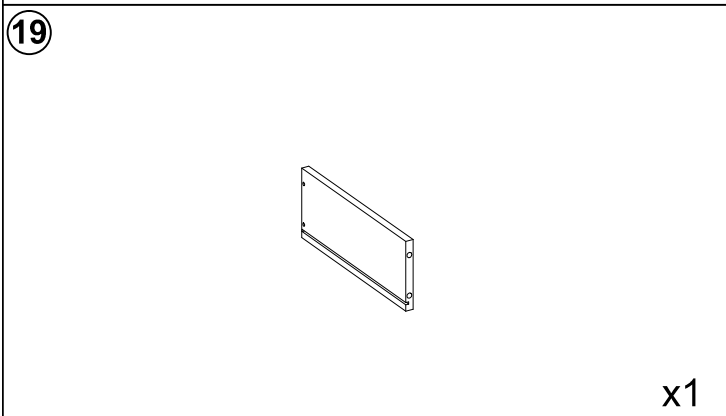
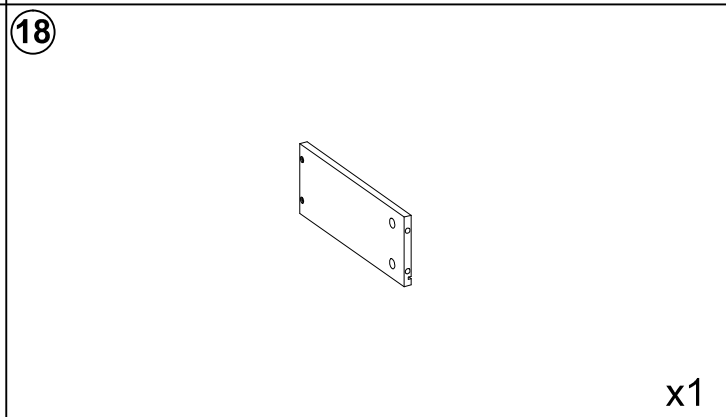
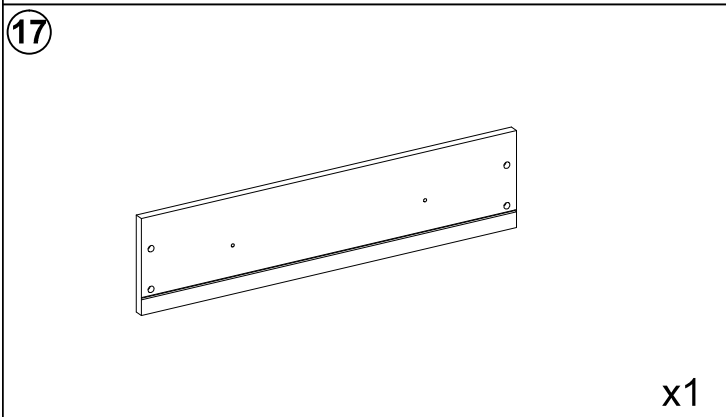
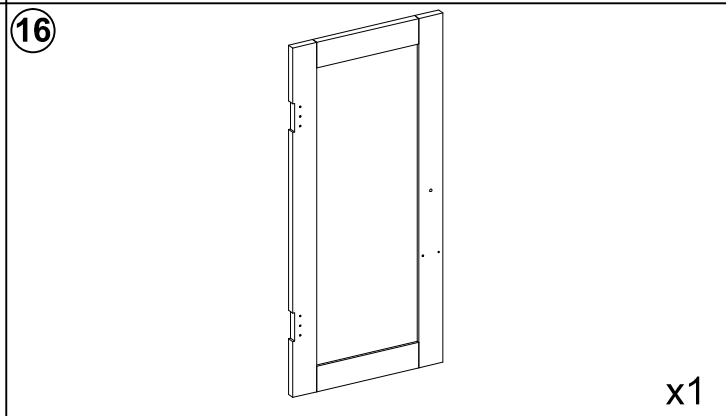
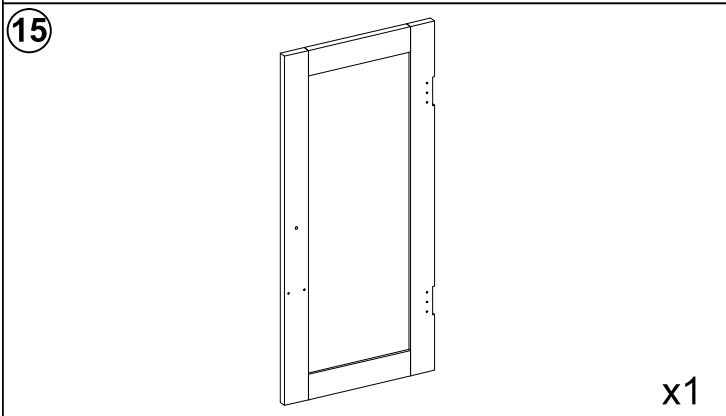
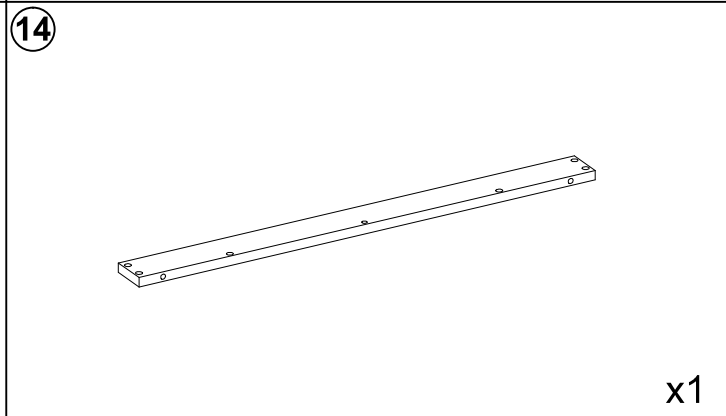
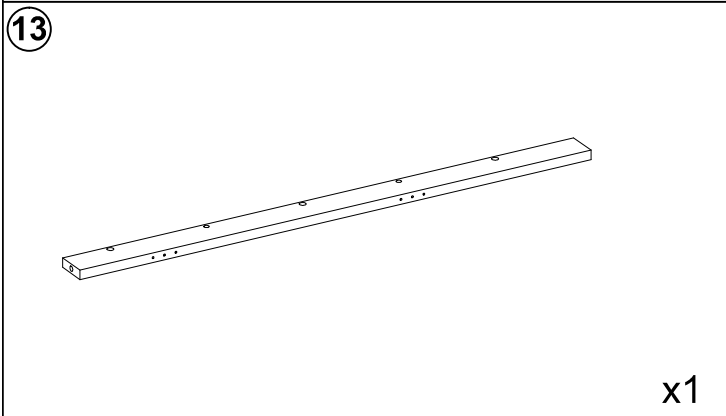
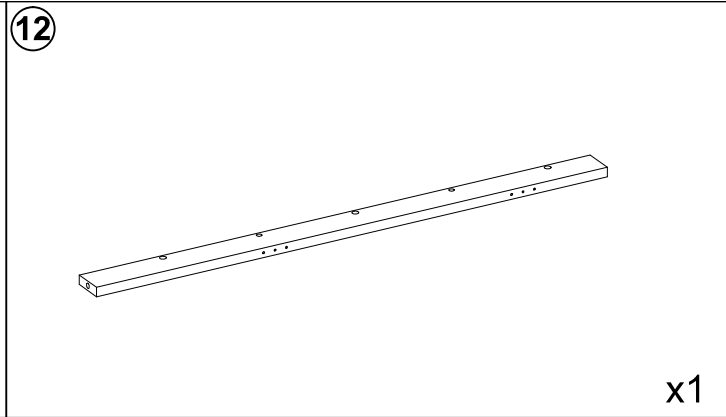
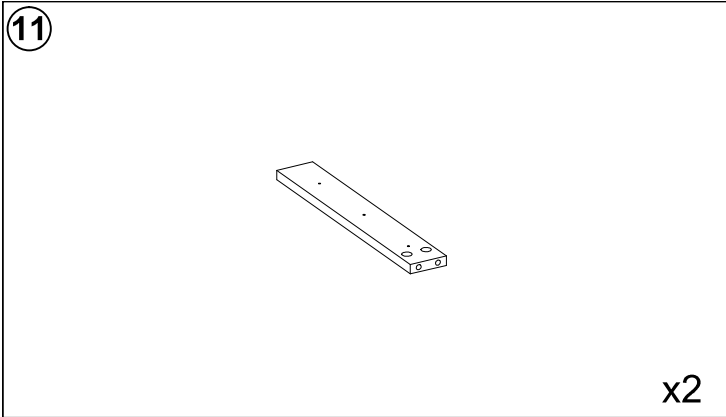


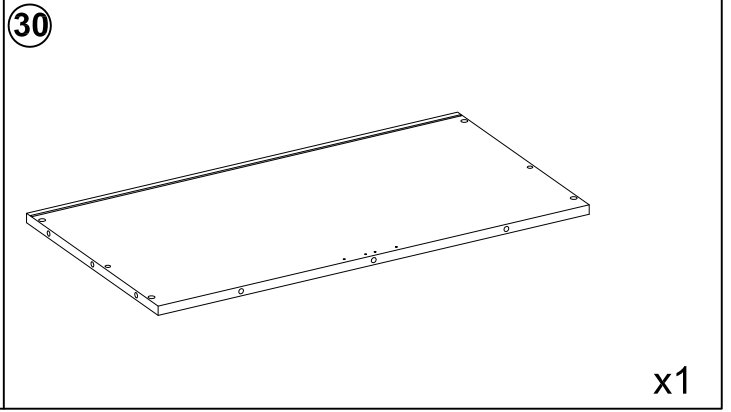
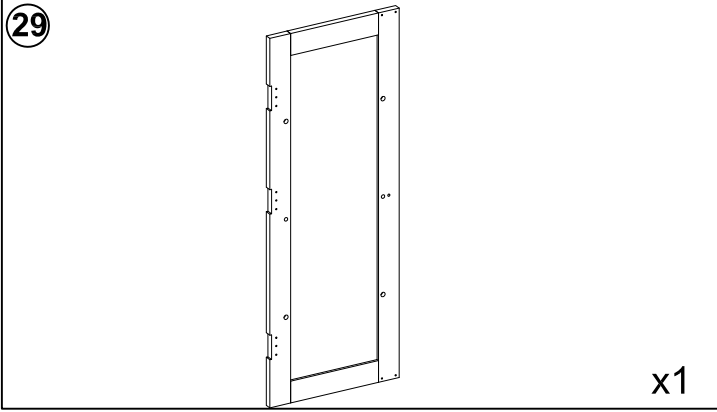
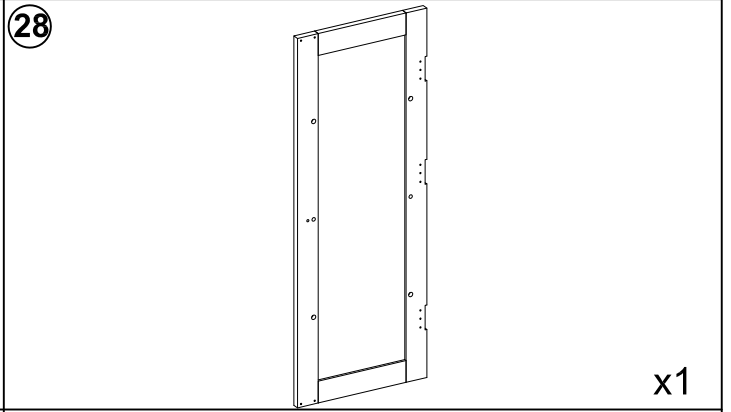
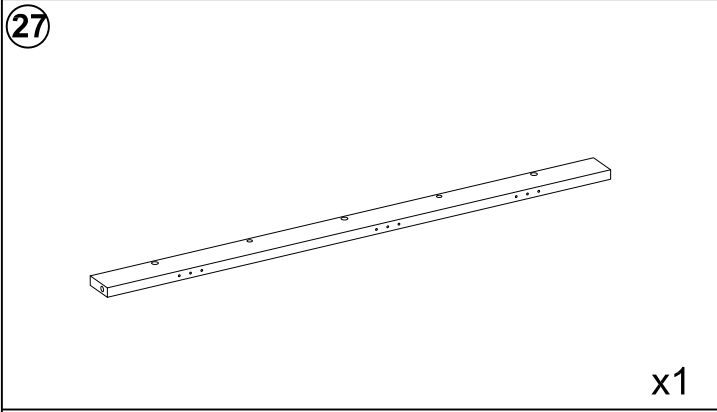
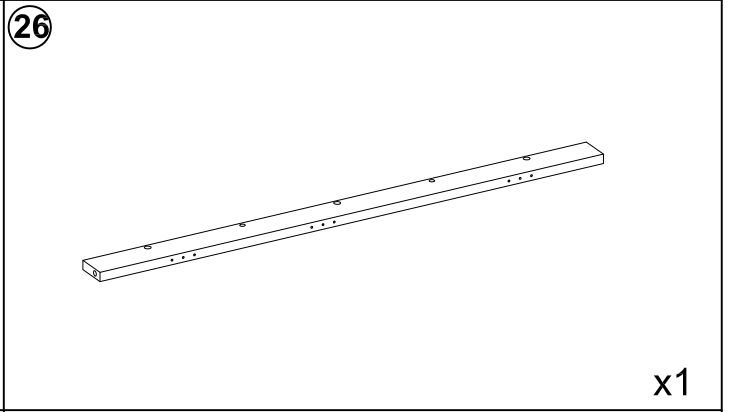
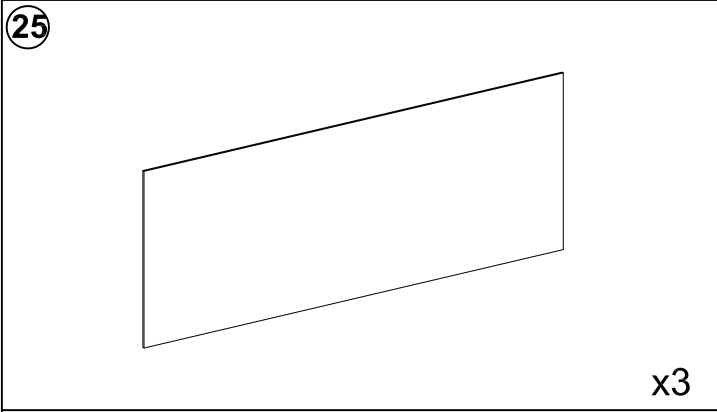
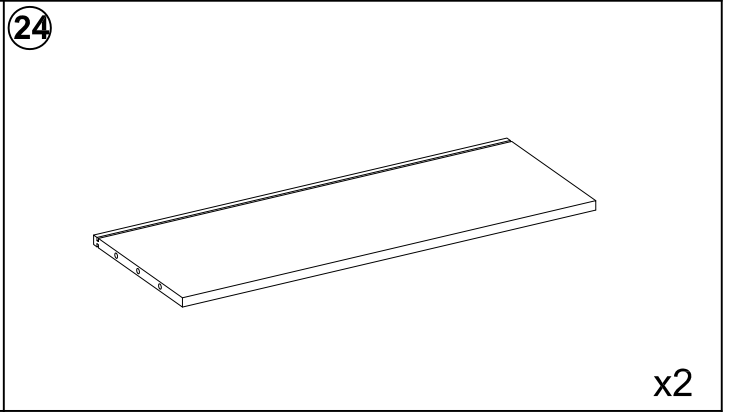
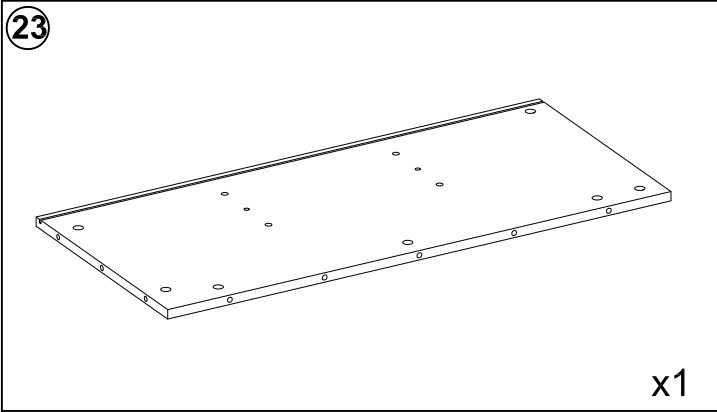
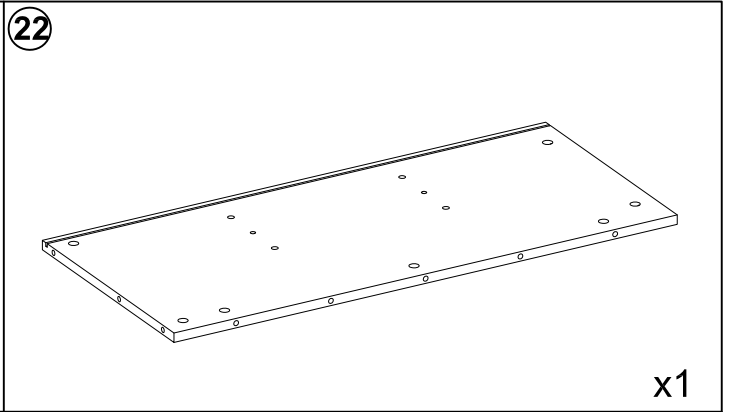
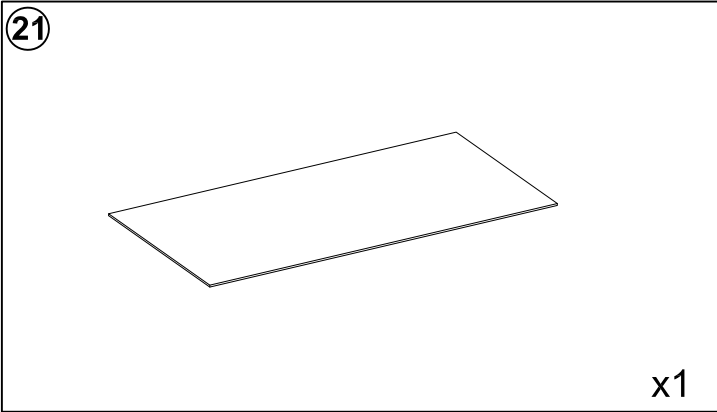
x1

10

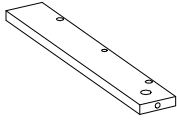


x1



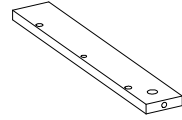


31



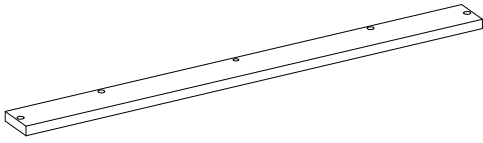
x1

32



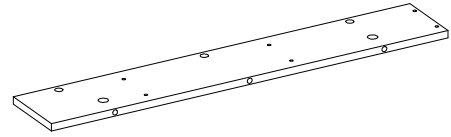
x1

33



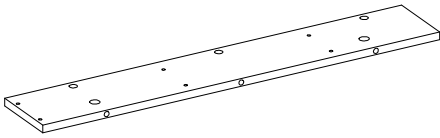
x1

34



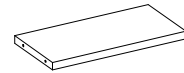
x2

35

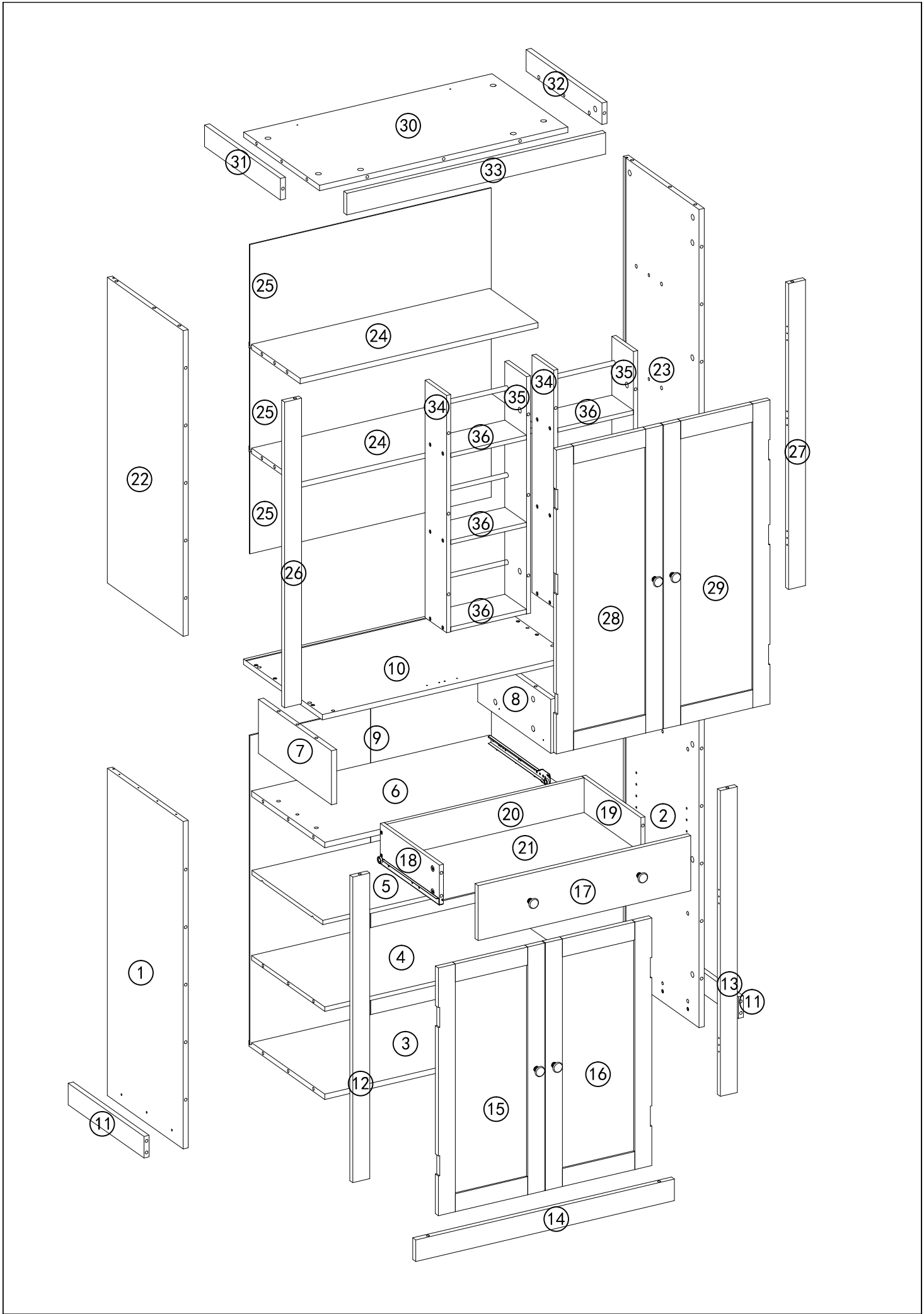







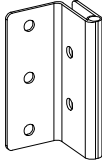

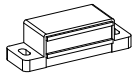
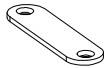




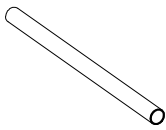

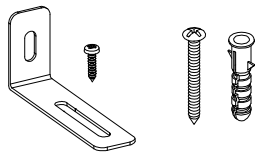
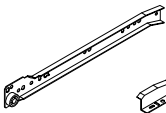
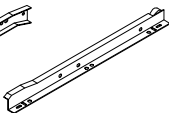
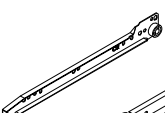
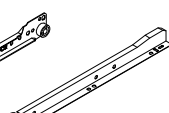
x2

36

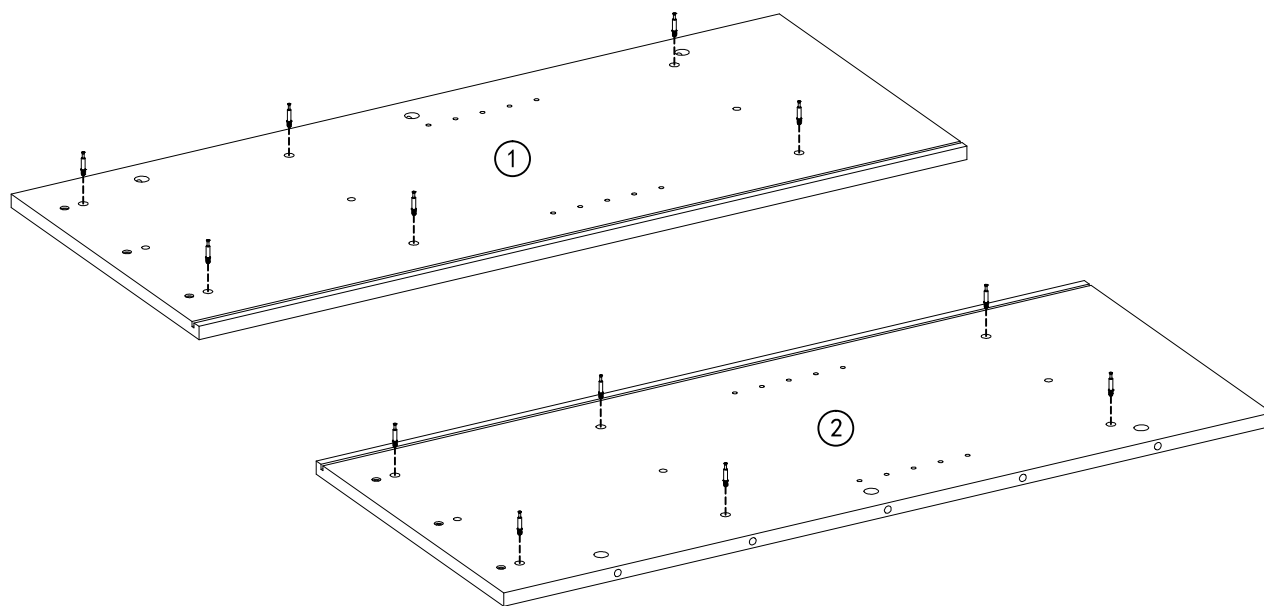


x6

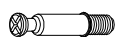


<b>A</b>	x 74+1	<b>B</b>	x 74+1	<b>C</b>	x 42+1	<b>D</b>	x 70+2
							
M6x39		M15x9.5		M8x30		M20	
<b>E</b>	x 4	<b>F</b>	x 10	<b>G</b>	x 20	<b>H</b>	x 6
							
<b>I</b>	x 6	<b>J</b>	x 82+2	<b>K</b>	x 60+2	<b>L</b>	x 12+1
							
		M3x14		M3.5x25		M4x40	
<b>M</b>	x 6	<b>N</b>	x 6	<b>O</b>	x 6	<b>P</b>	x 2
							
		∅12x238					
<b>Q</b>	x 1						
							
CL	DL	CR	DR				
L300mm							

# STEP 1

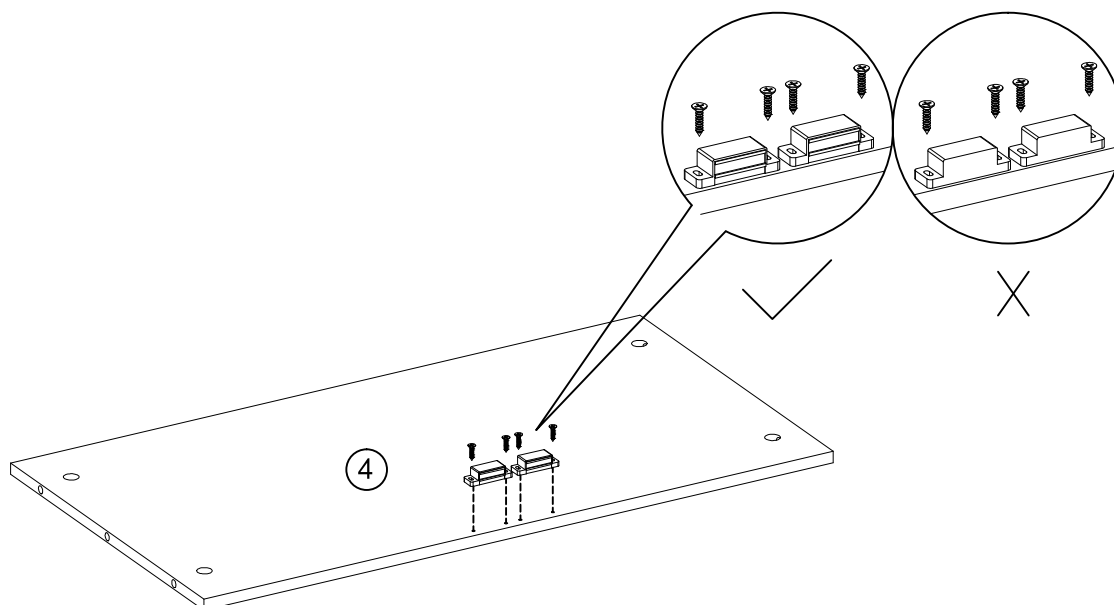


Warm tip: Before preparing to assemble it is recommended to read through the assembly instructions, and then install according to the steps in turn. Tighten the screws after confirming that the direction and position of the holes are correct according to instruction picture. If you have any assemble problem, please click "Askseller" to get help.



A x 12

# STEP 2

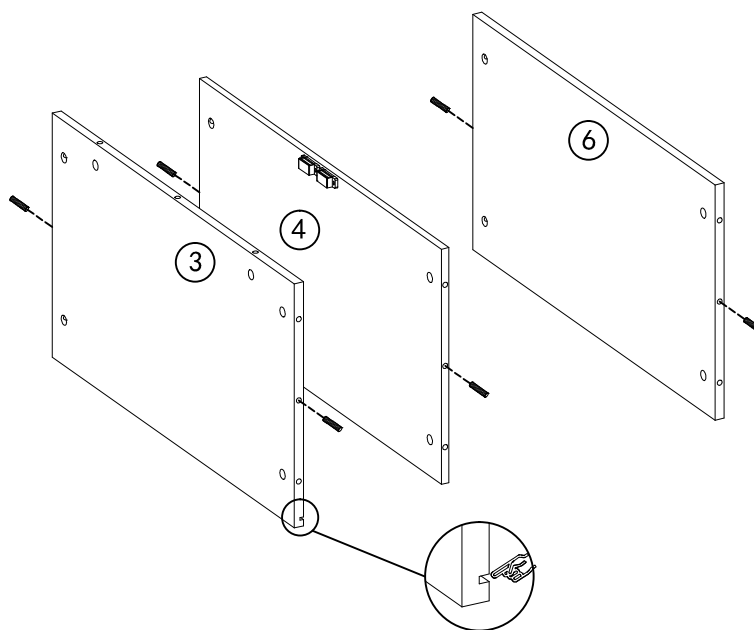


J x 4



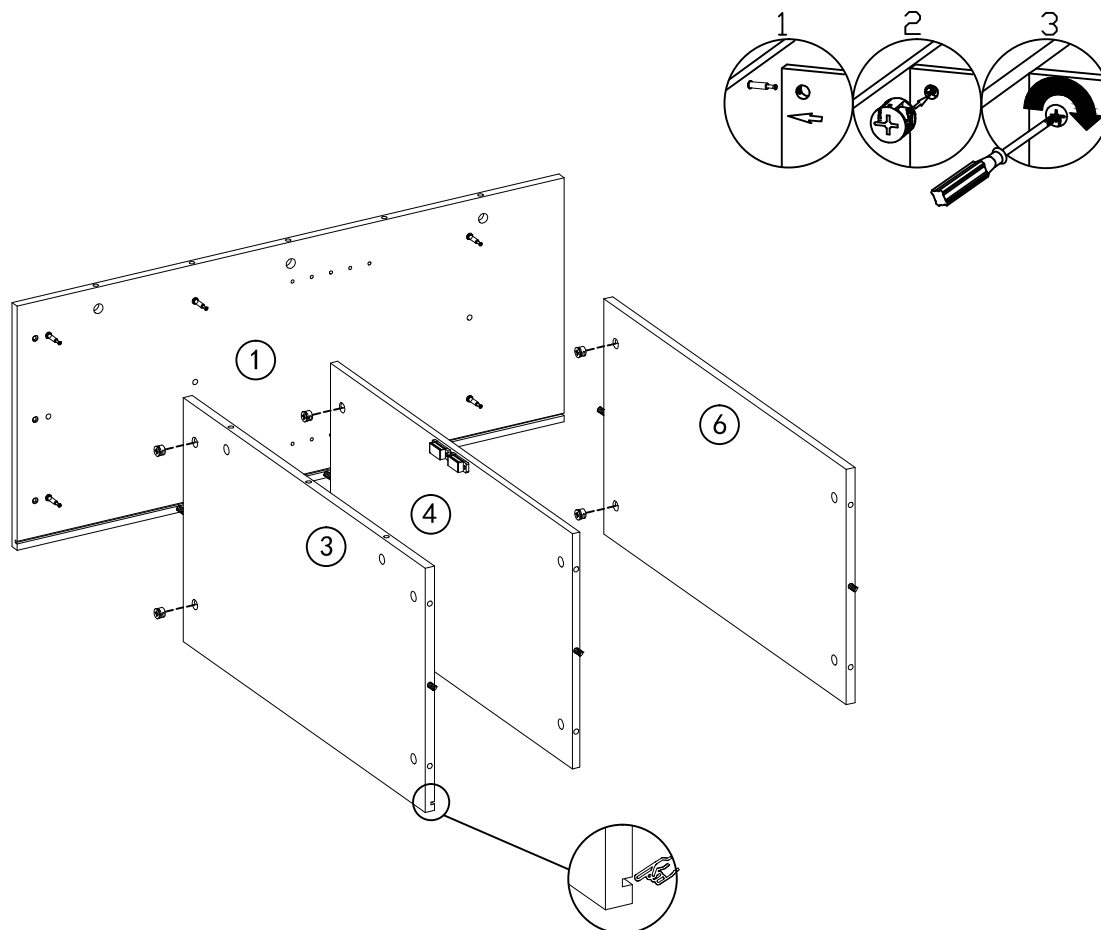
H x 2

# STEP 3



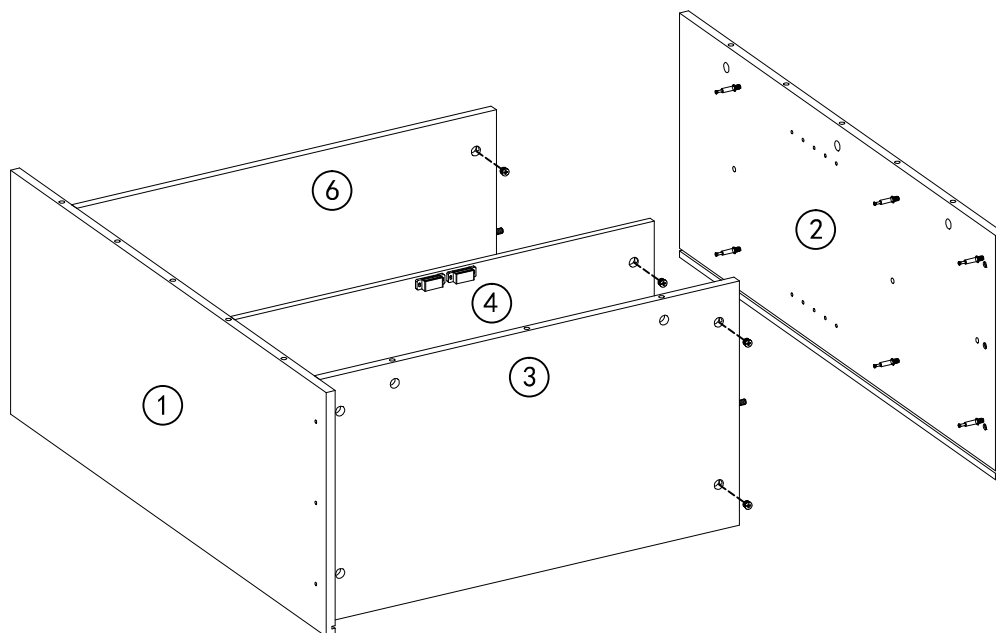
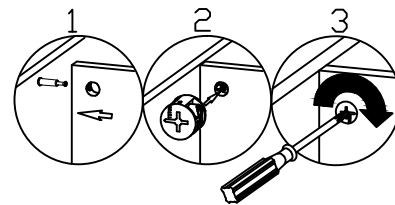
C x 6

# STEP 4



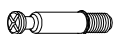
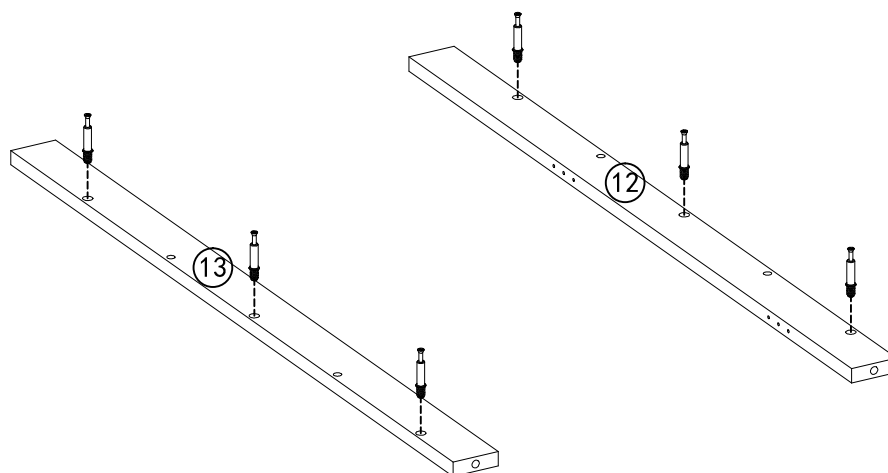
B x 6

# STEP 5



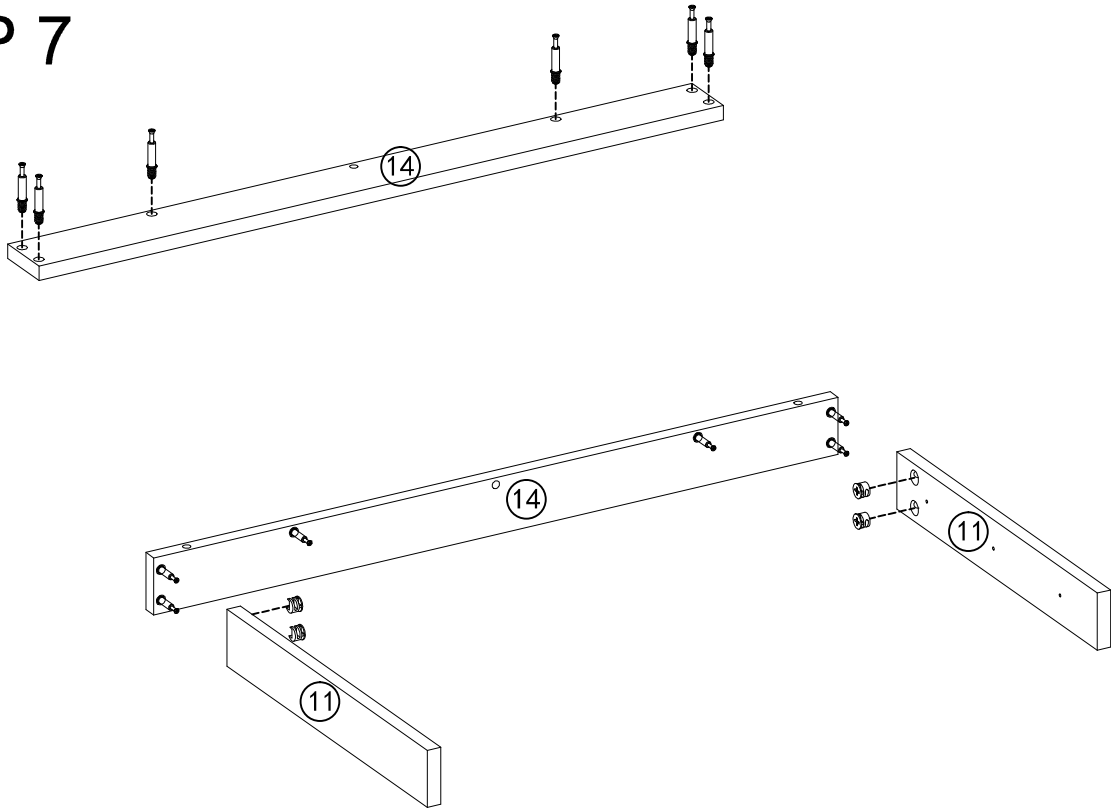
B x 6



# STEP 6



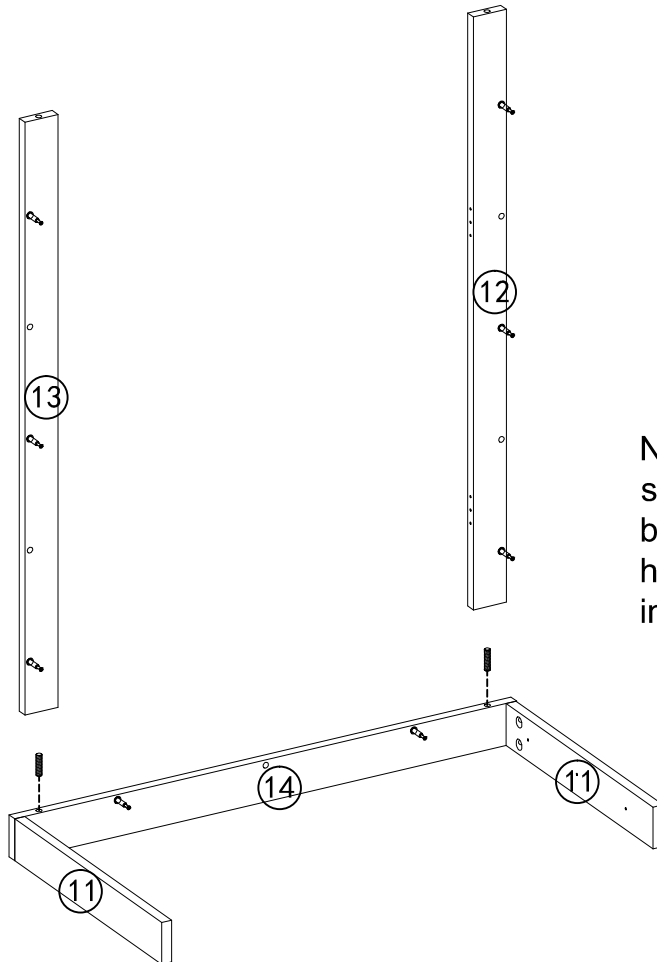
A x 6

# STEP 7




	B x 4
	A x 6

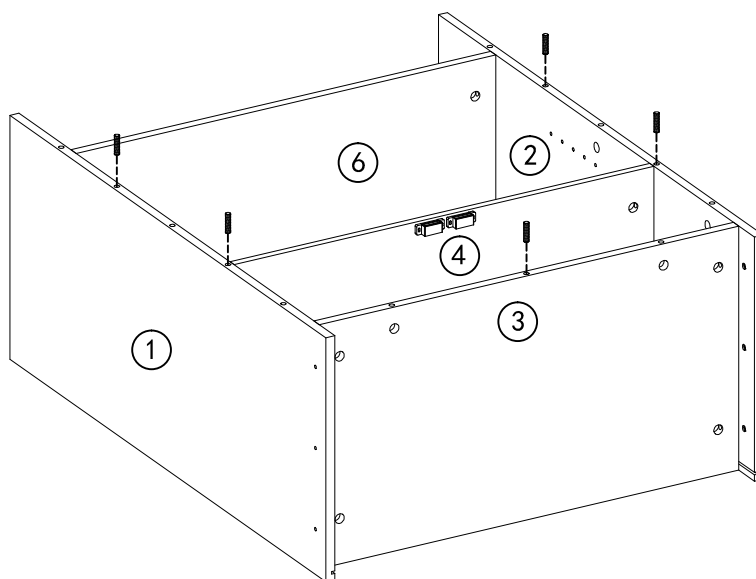
# STEP 8



Note: As the picture shows, the "12" and "13" boards have six small holes on the side facing inside

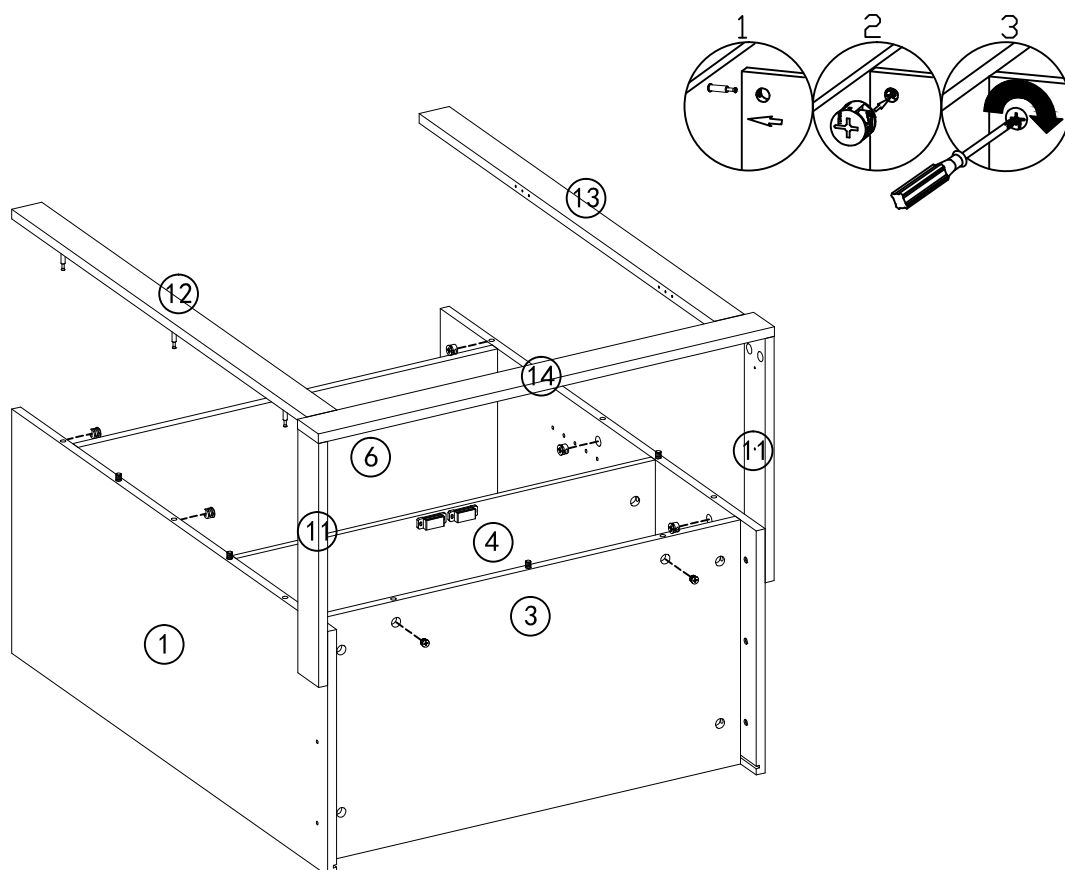
	C x 2
---	-------

# STEP 9



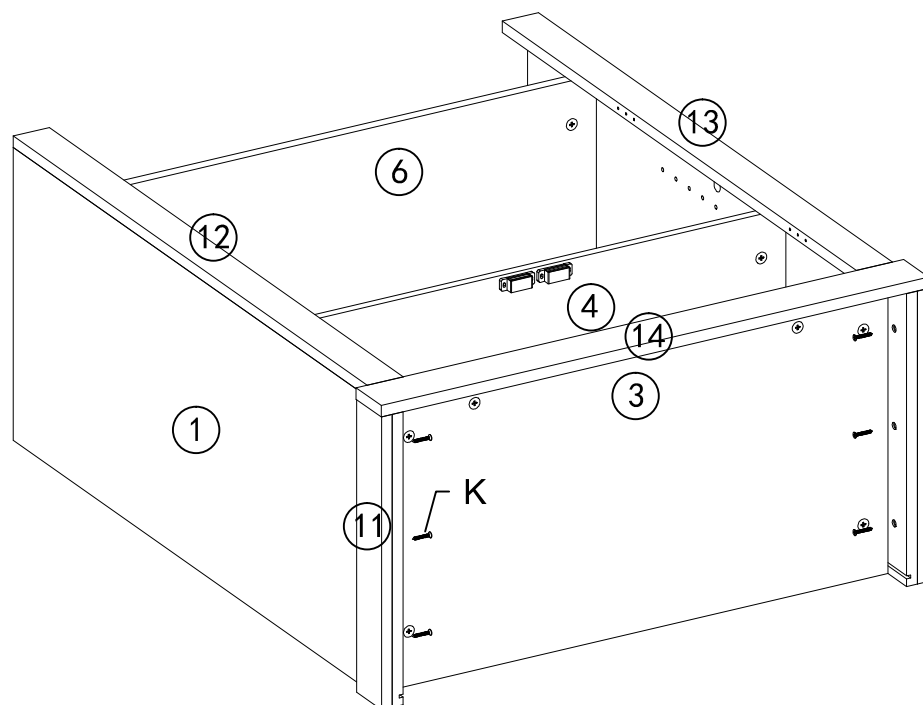
C x 5

# STEP 10



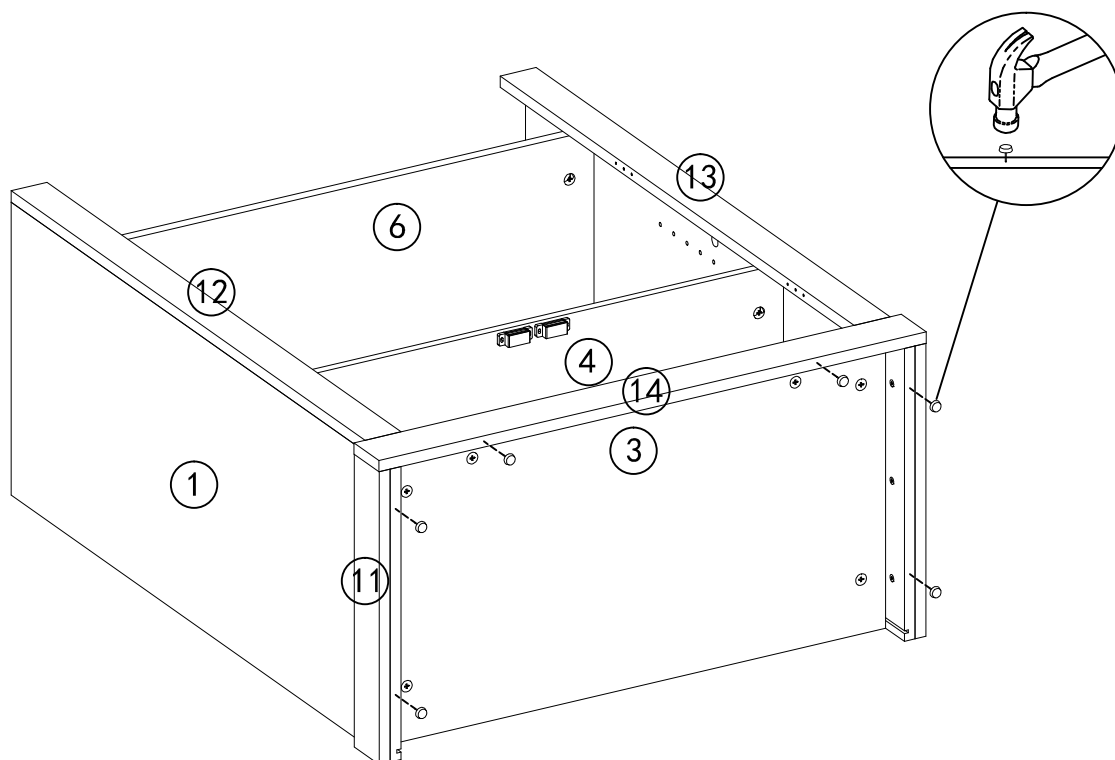
B x 8

# STEP 11



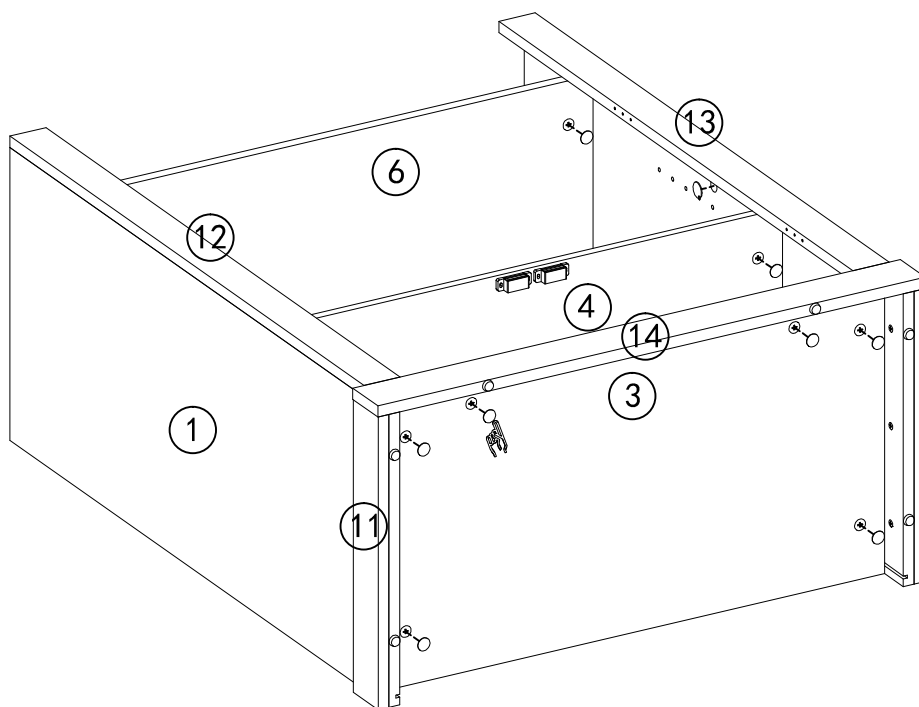
K x 6

# STEP 12



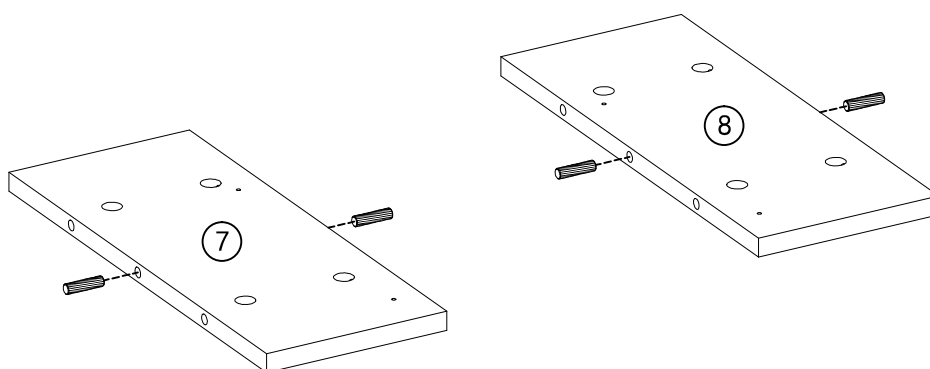
M x 6

# STEP 13



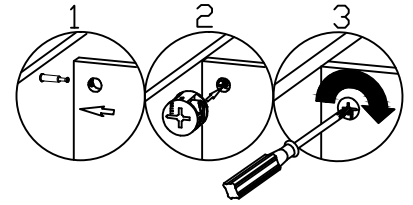
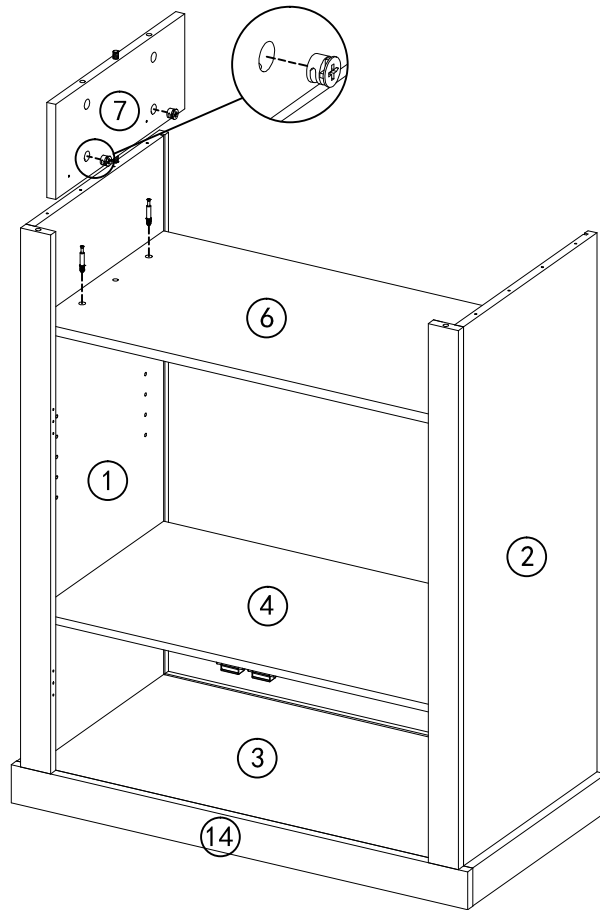
D x 20

# STEP 14


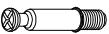


C x 4

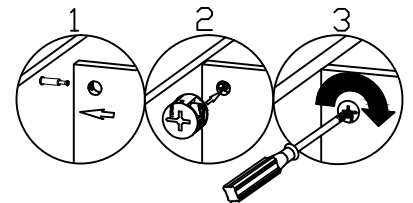
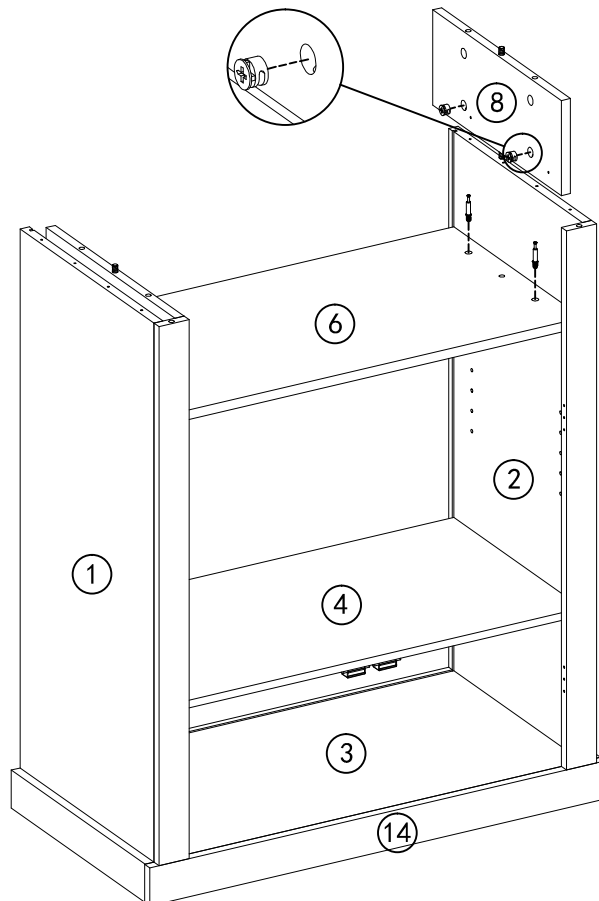
# STEP 15





Note: Plate 7 has two small guide holes facing downwards on this side

	B x 2
	A x 2

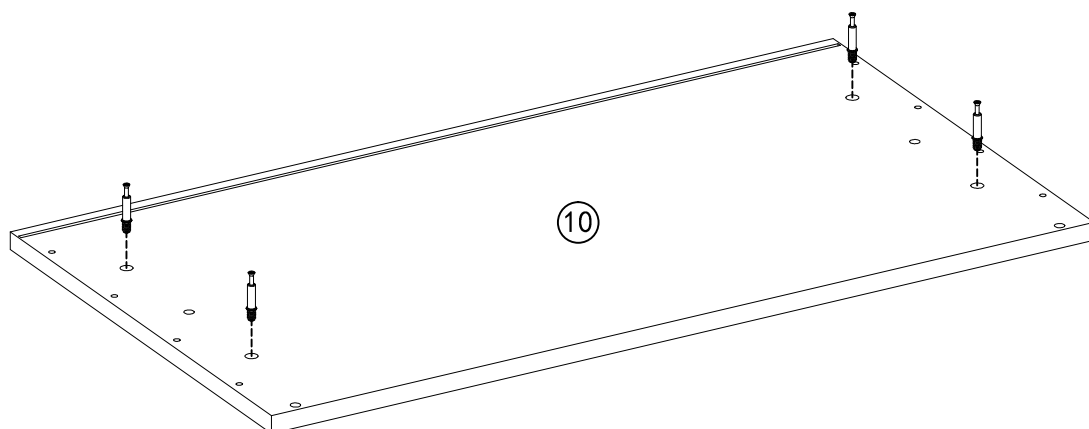
# STEP 16



Note: Plate 8 has two small guide holes facing downwards on this side

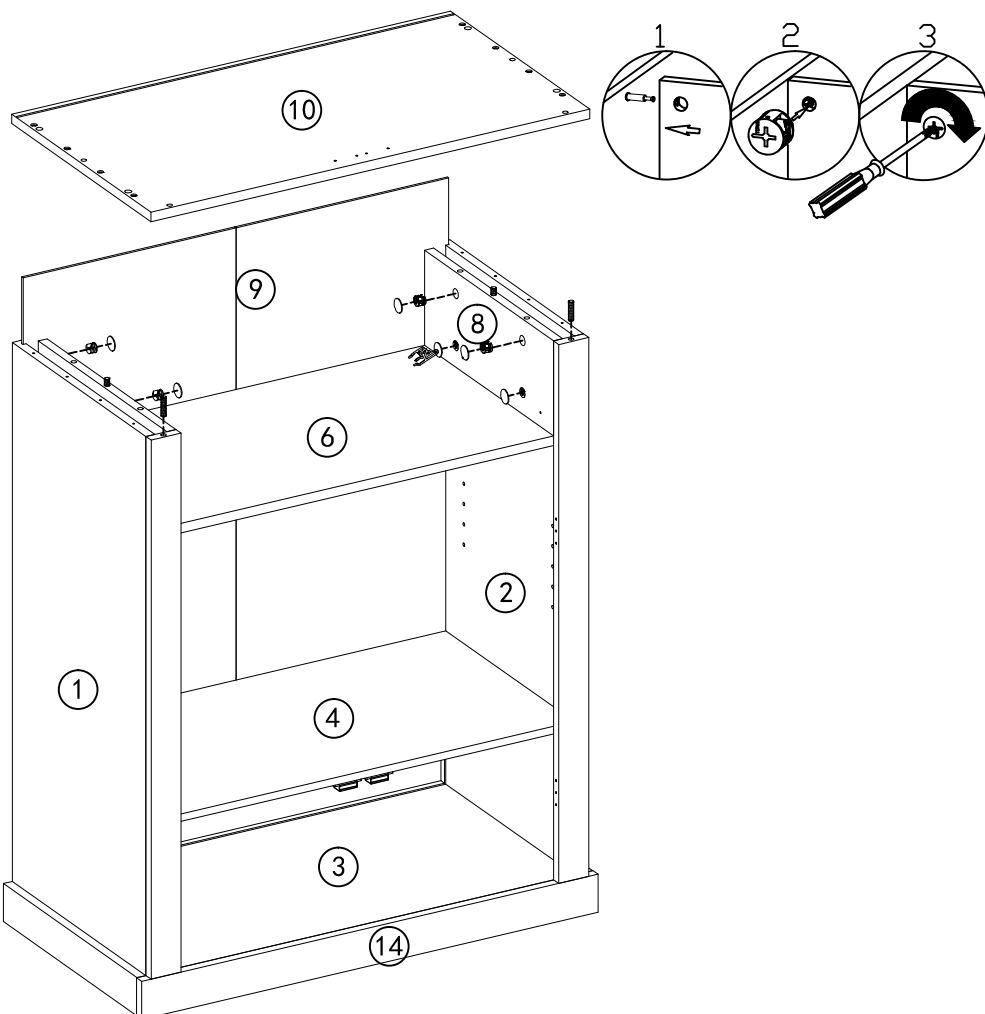
	B x 2
	A x 2

# STEP 17



A x 4

# STEP 18



B x 4

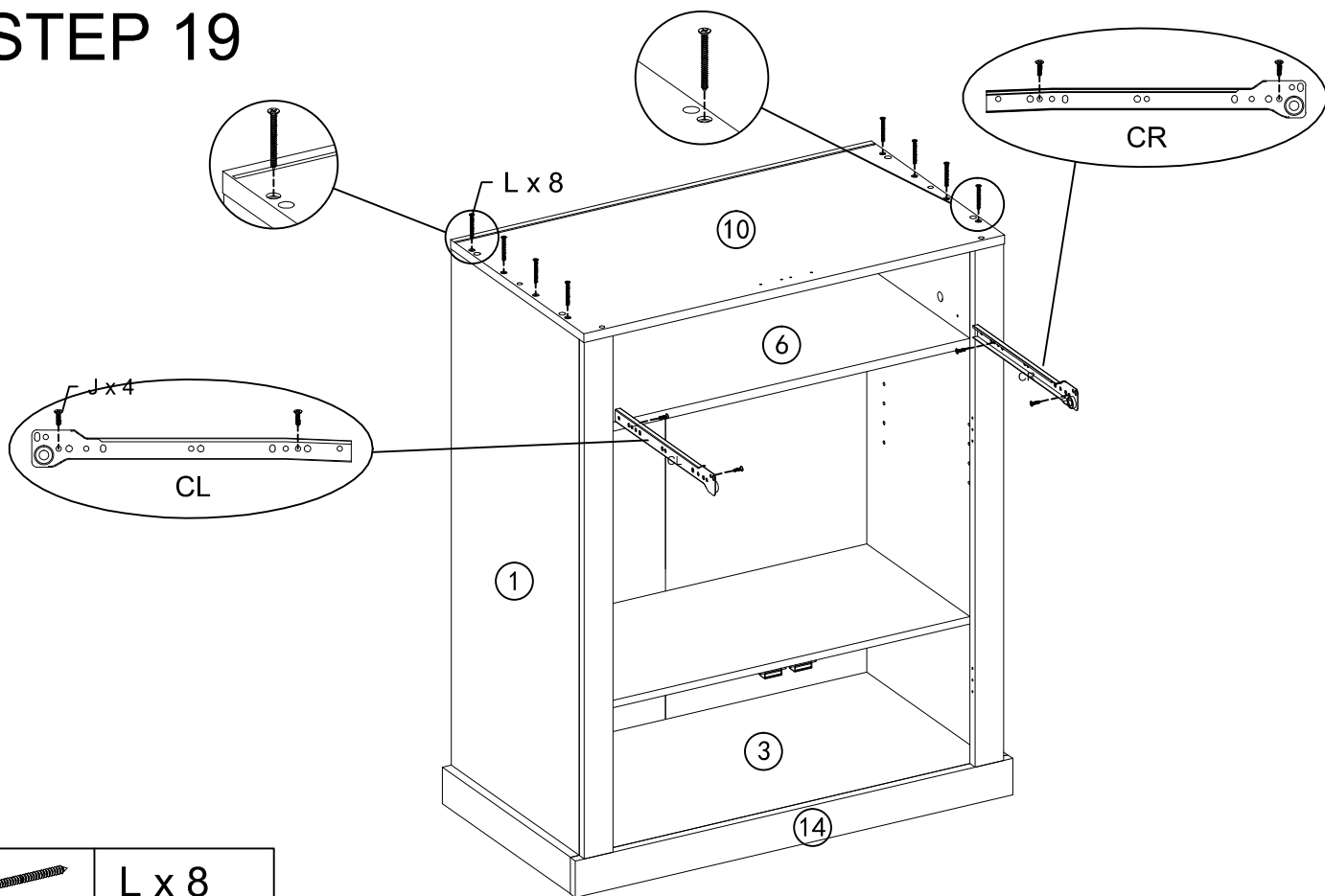


D x 8





C x 2

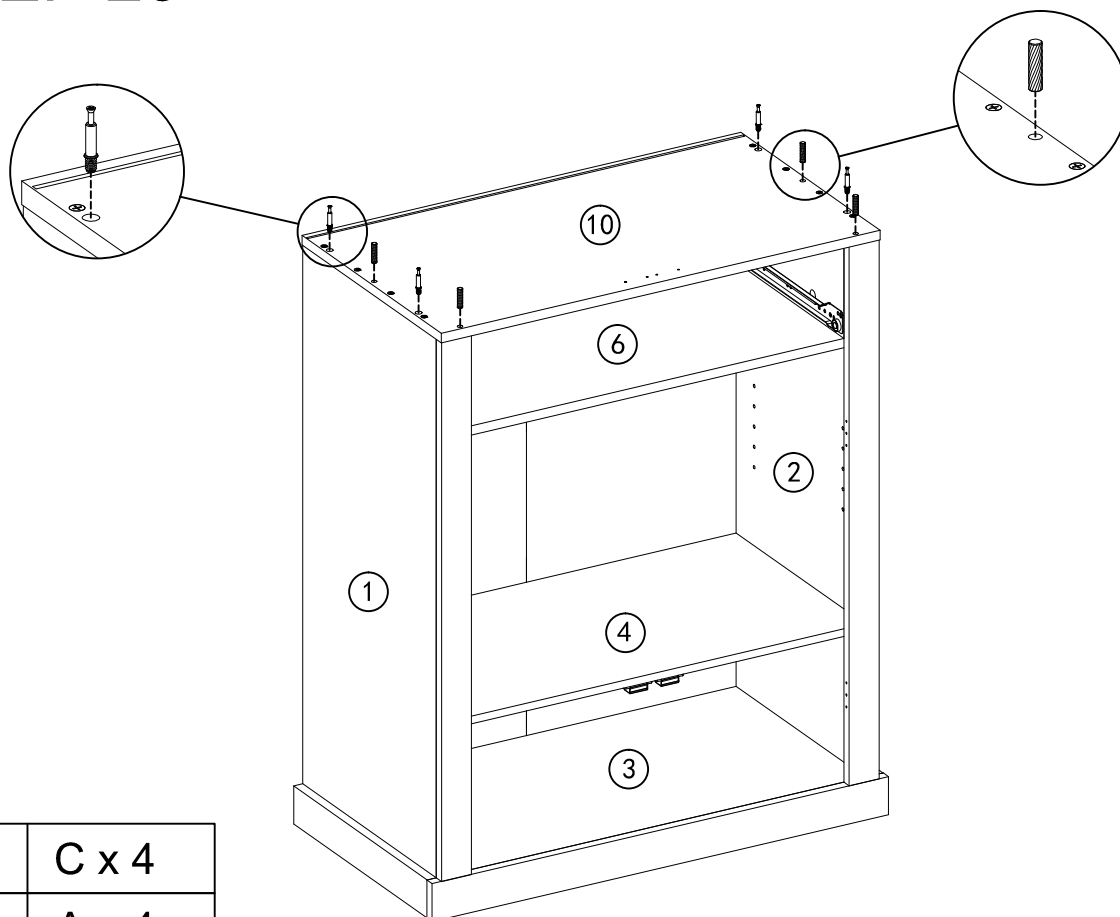
# STEP 19


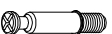


	L x 8
---	-------

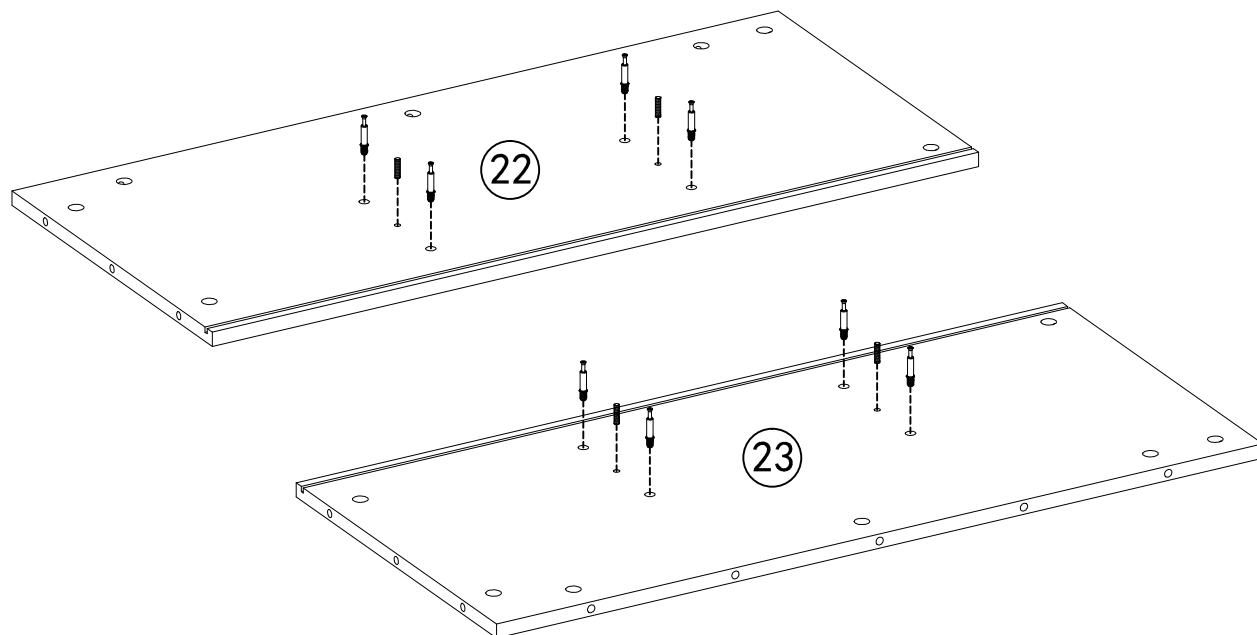
	Q x 1		J x 4
--	-------	---	-------


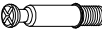
# STEP 20



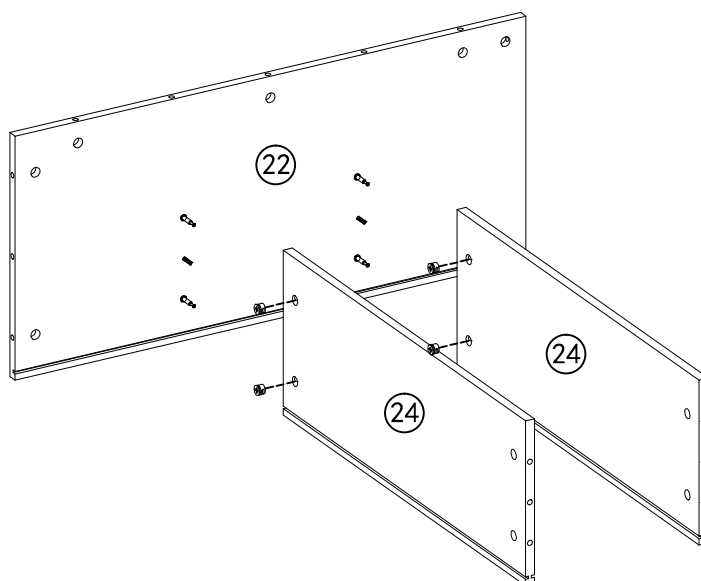
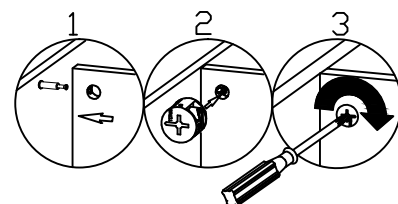
	C x 4
	A x 4

# STEP 21



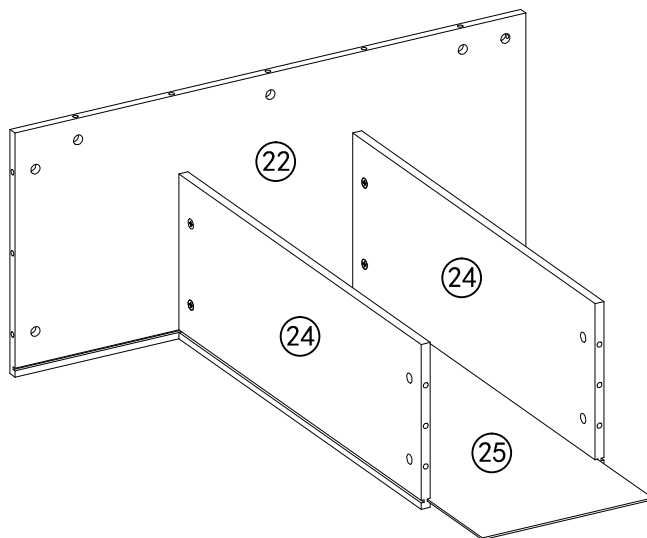
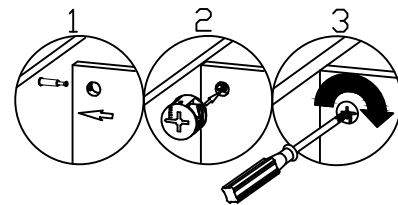
	C x 4
	A x 8

# STEP 22

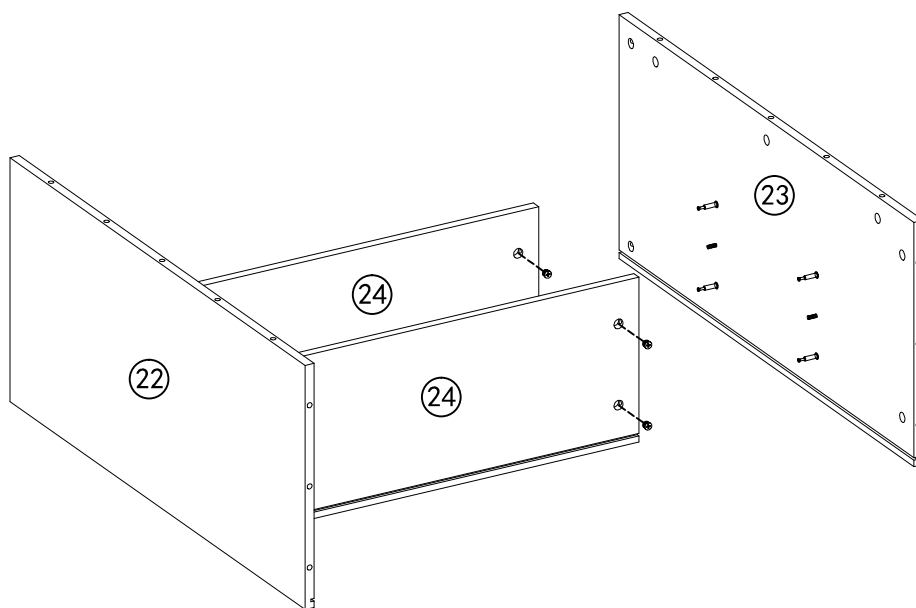
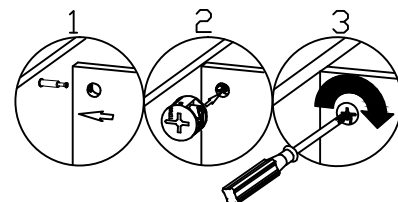


	B x 4
---	-------

# STEP 23

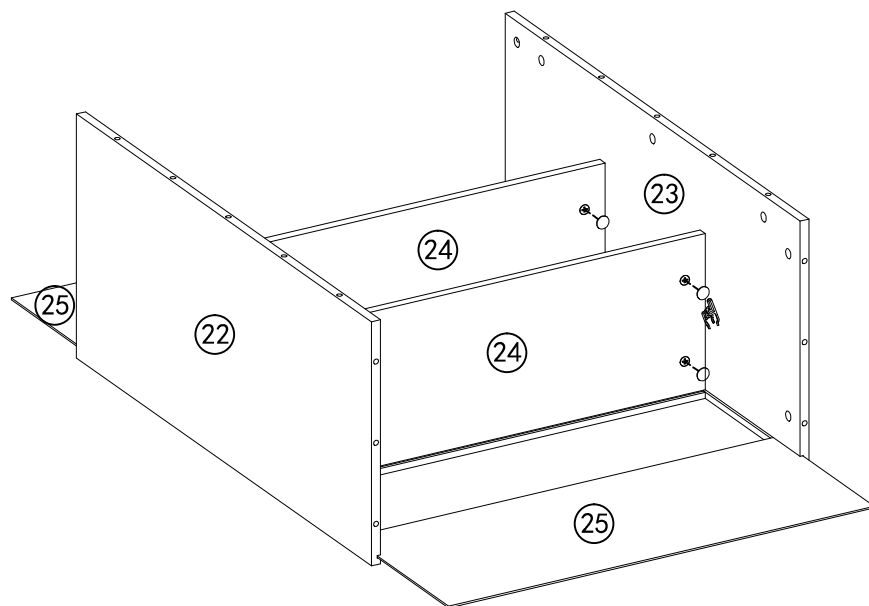


# STEP 24



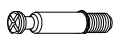
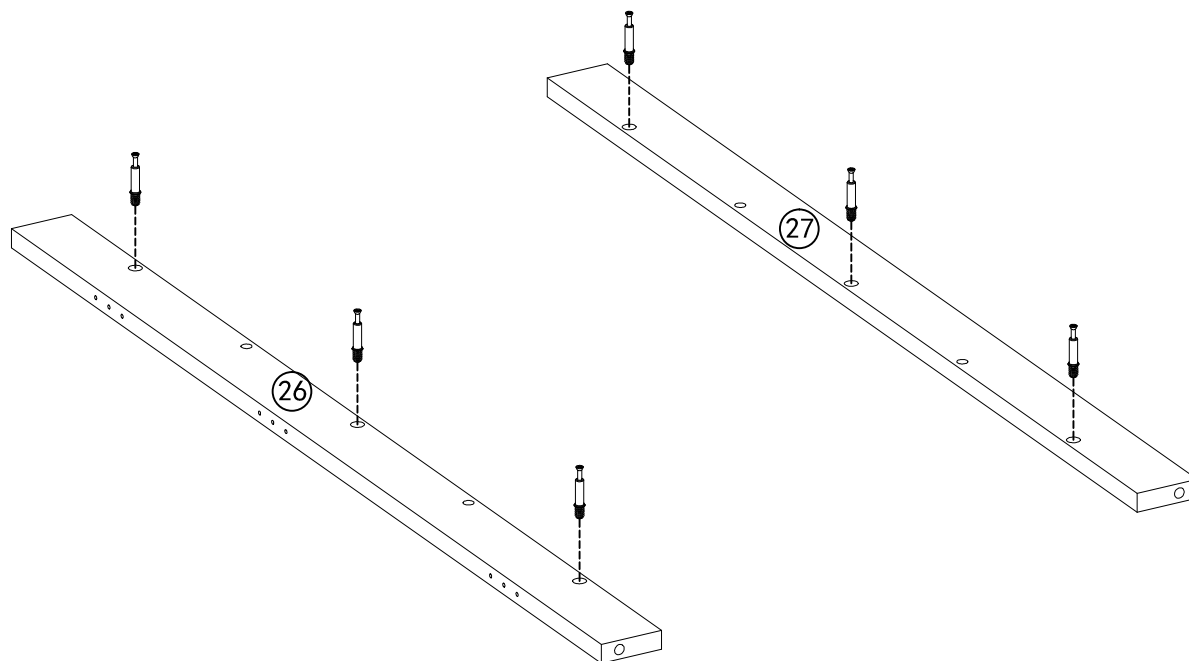
B x 4

# STEP 25



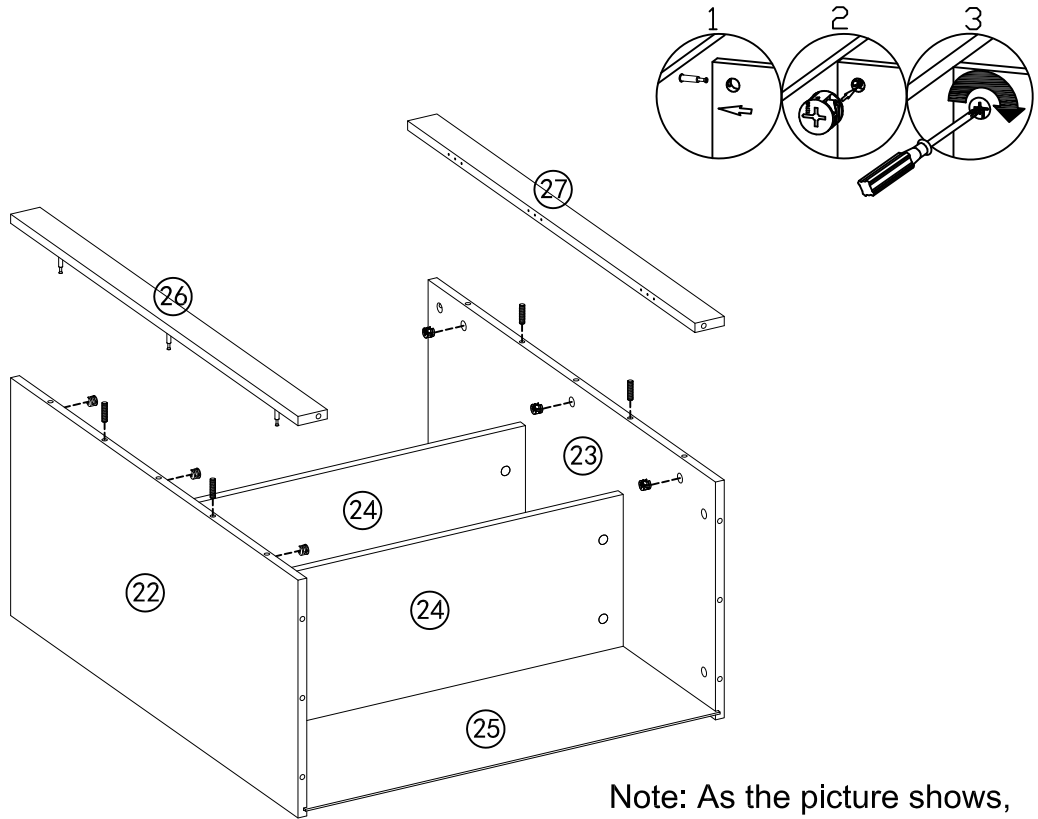
D x 8

# STEP 26





A x 6

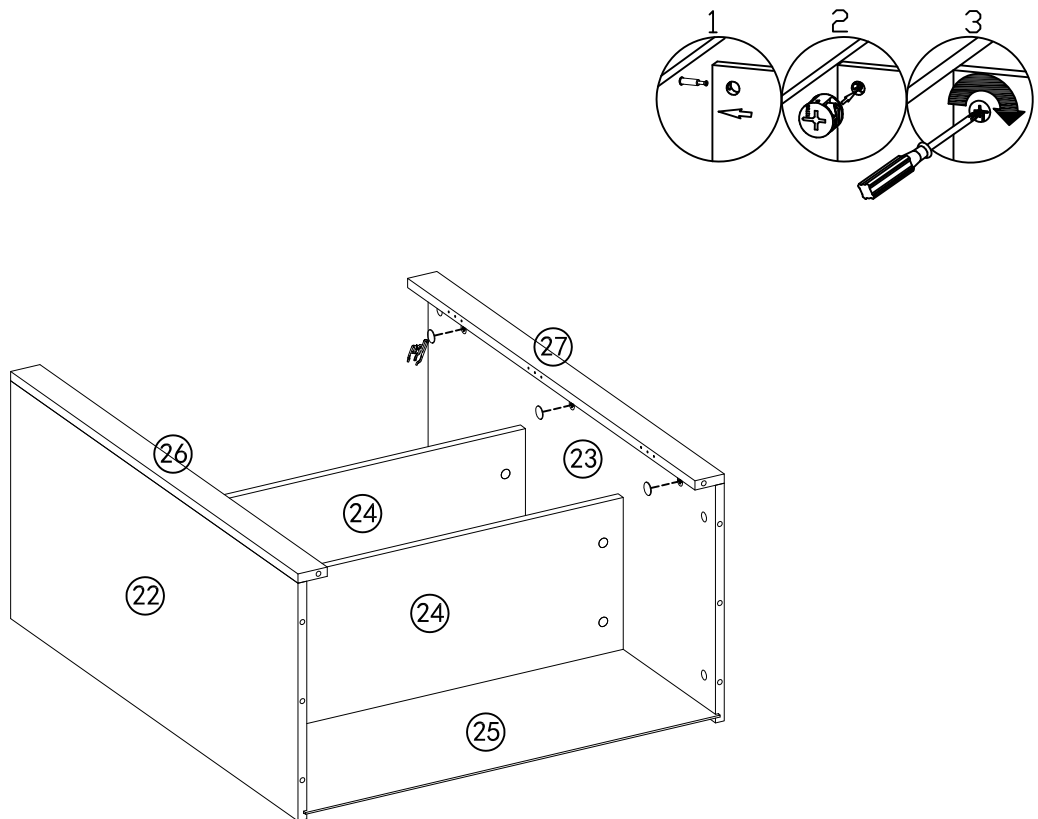
# STEP 27



Note: As the picture shows, the "26" and "27" boards have nine small holes on the side facing inside

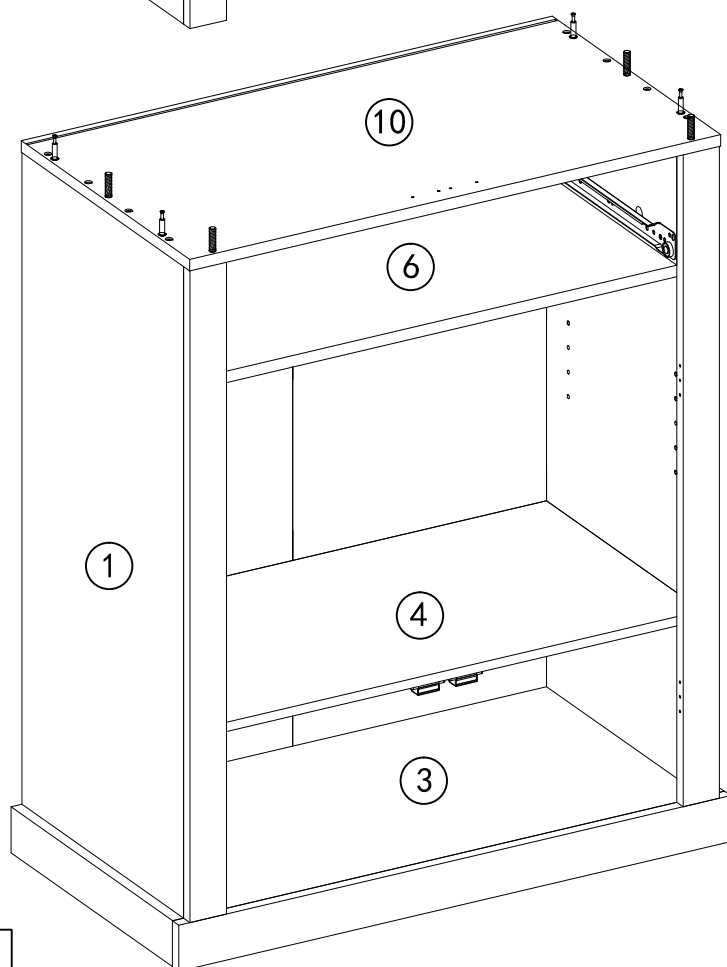
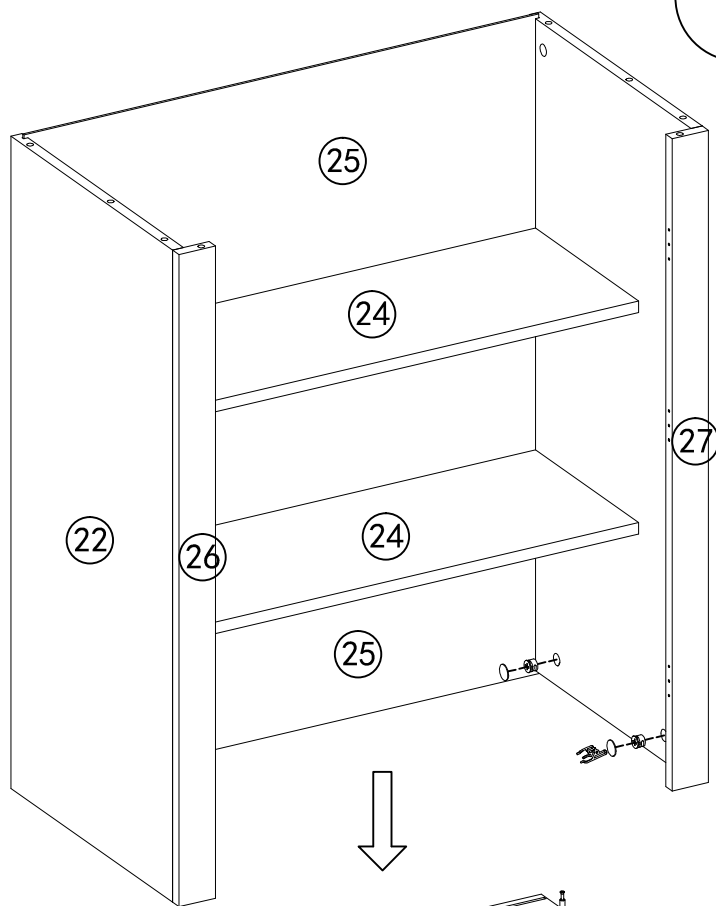
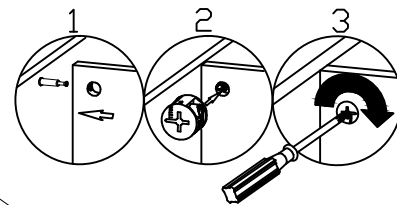
	B x 6
	C x 4



# STEP 28



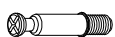
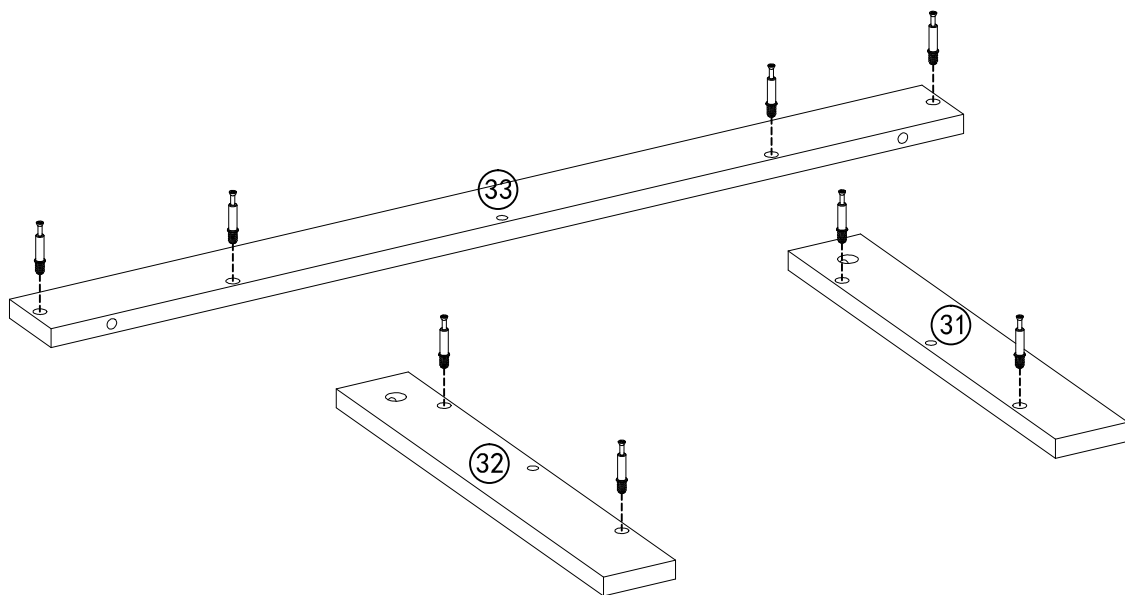
	D x 6
---	-------

# STEP 29



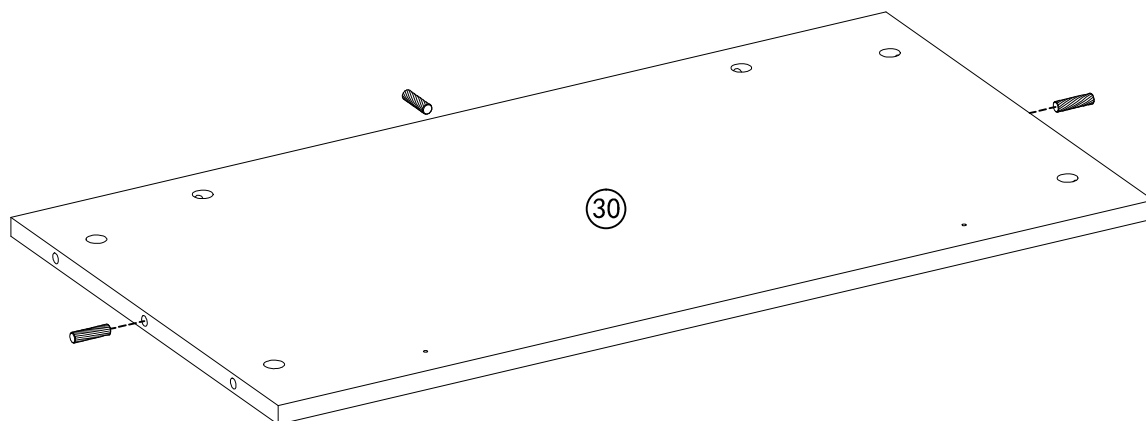
	B x 4
	D x 4

# STEP 30



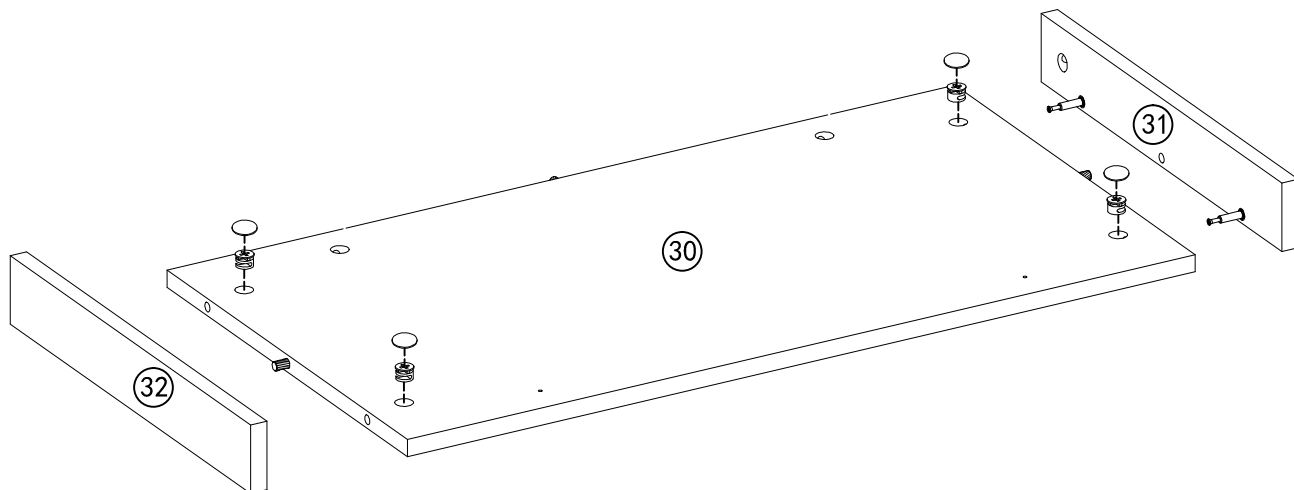
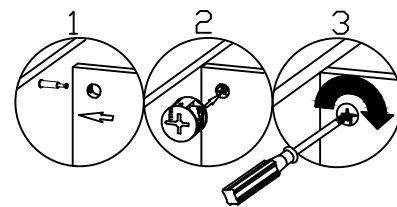
A x 8



# STEP 31



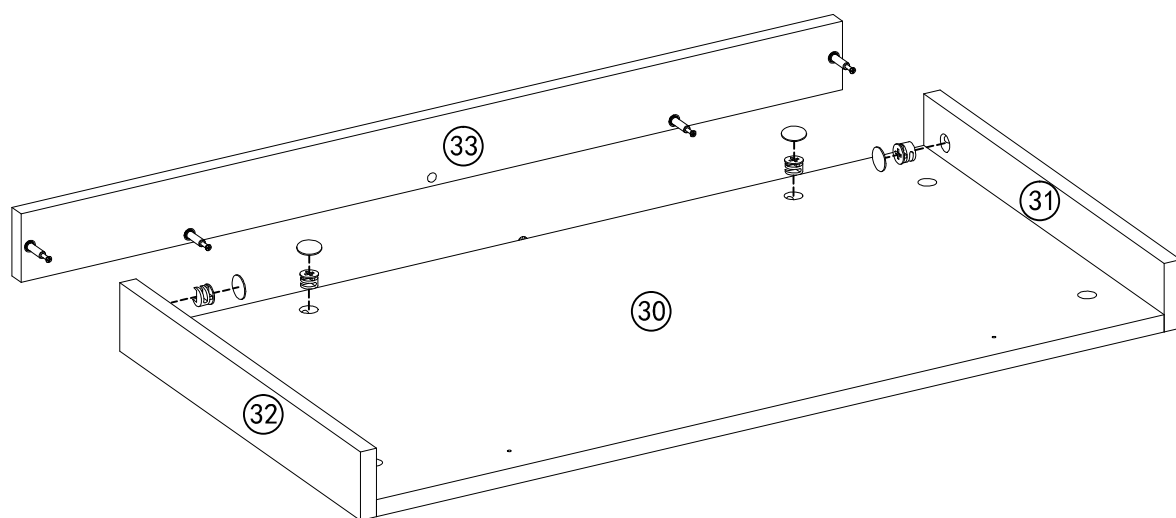
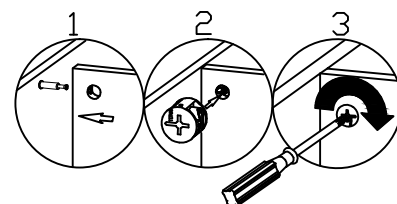
C x 3



# STEP 32



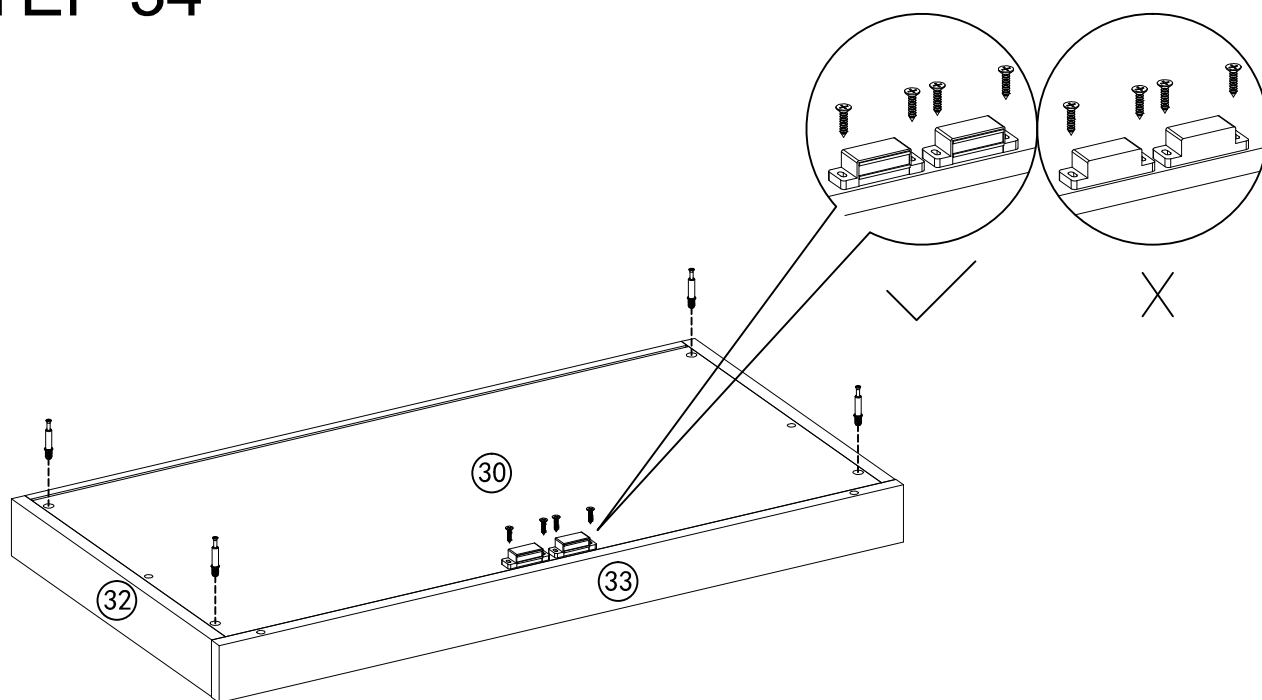
	B x 4
	D x 4



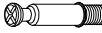
# STEP 33



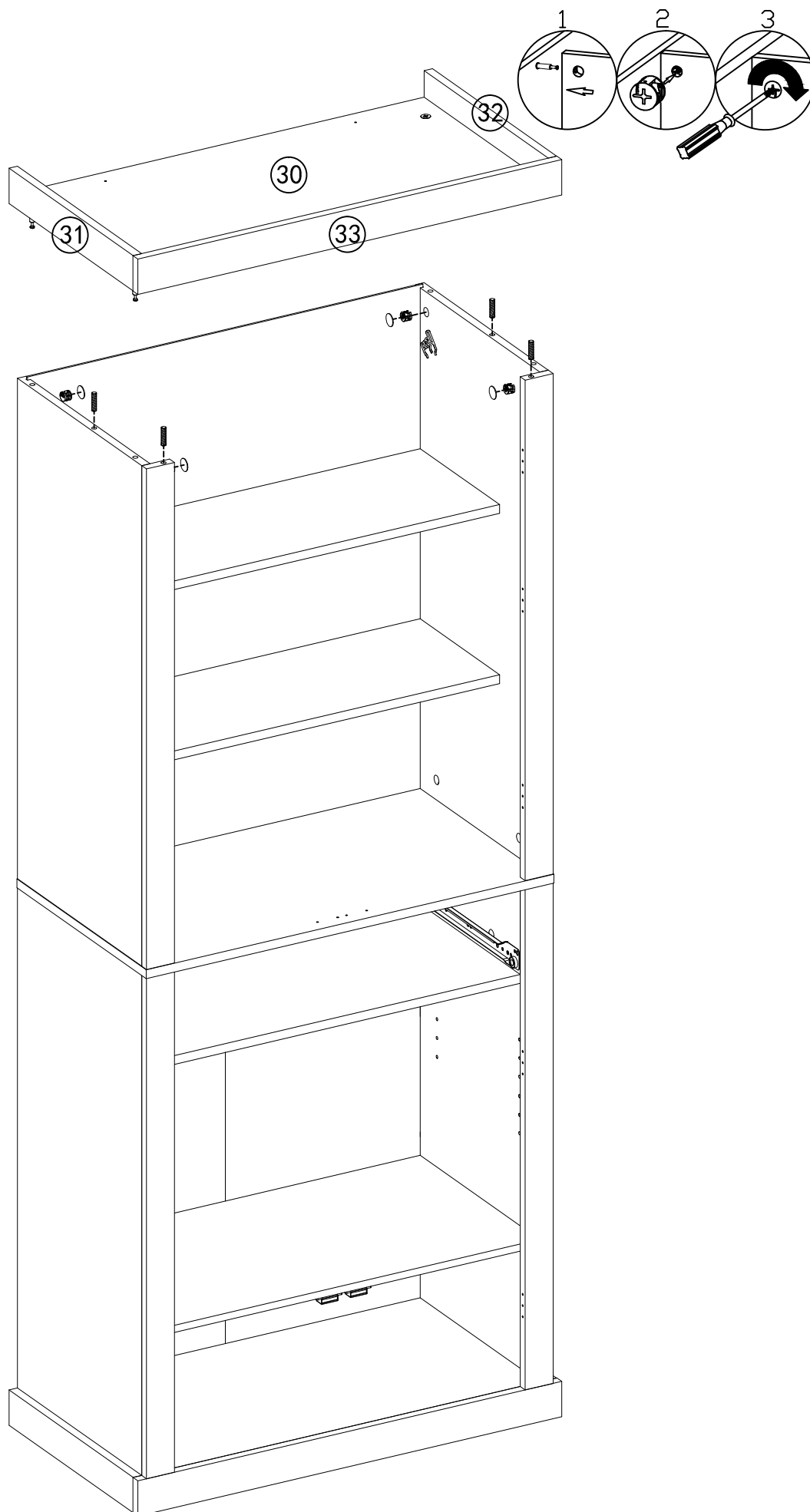
	B x 4
	D x 4



# STEP 34



	J x 4
	H x 2
	A x 4

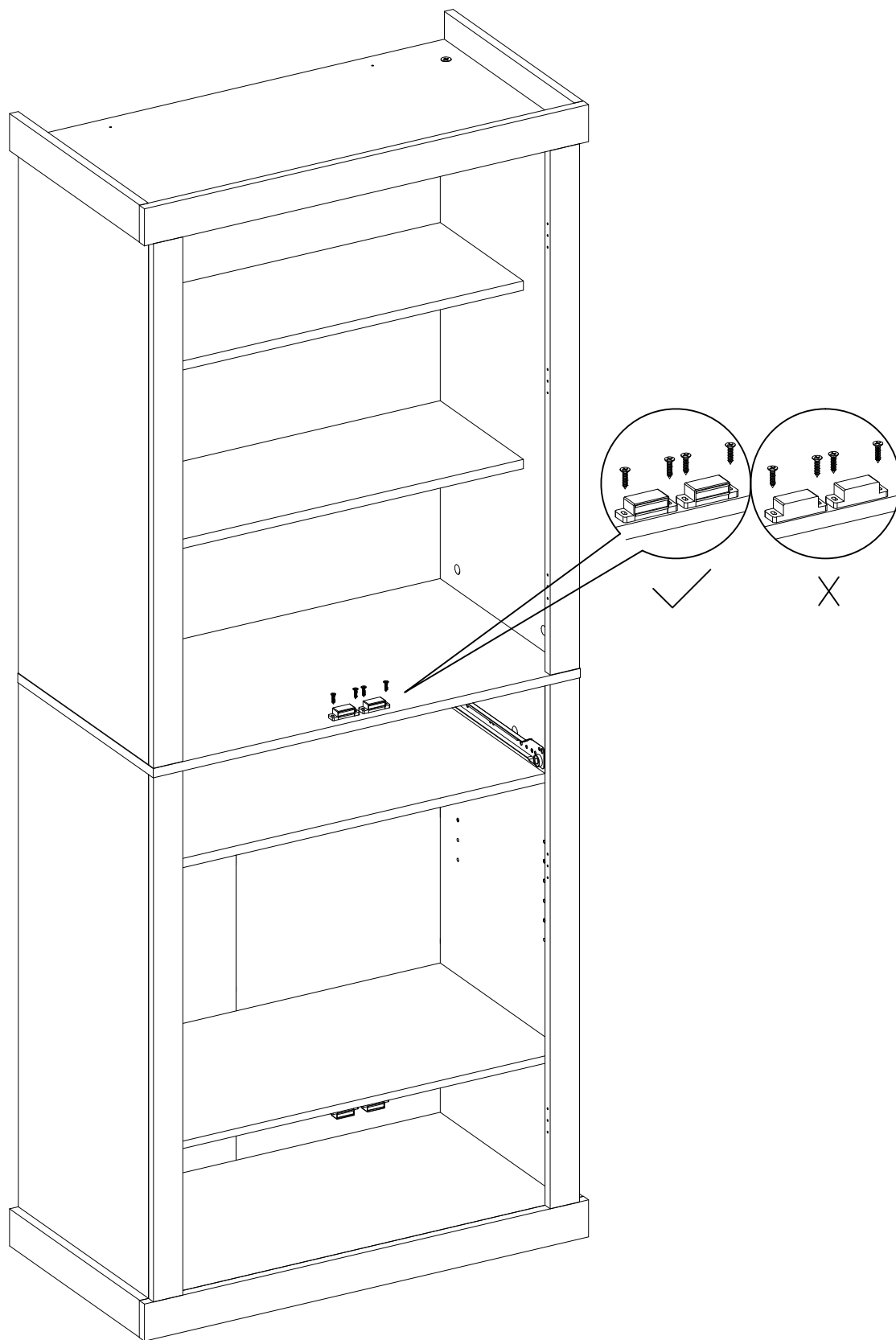
# STEP 35





	C x 4
	B x 4

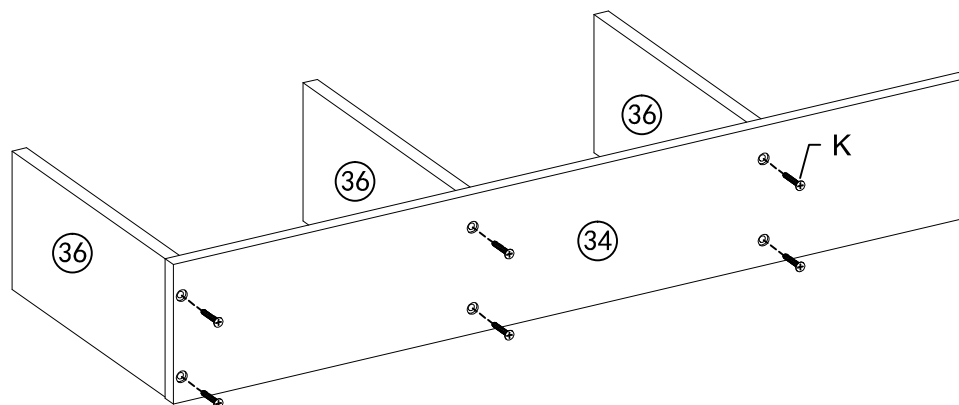
	D x 4
---	-------

# STEP 36



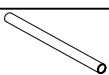
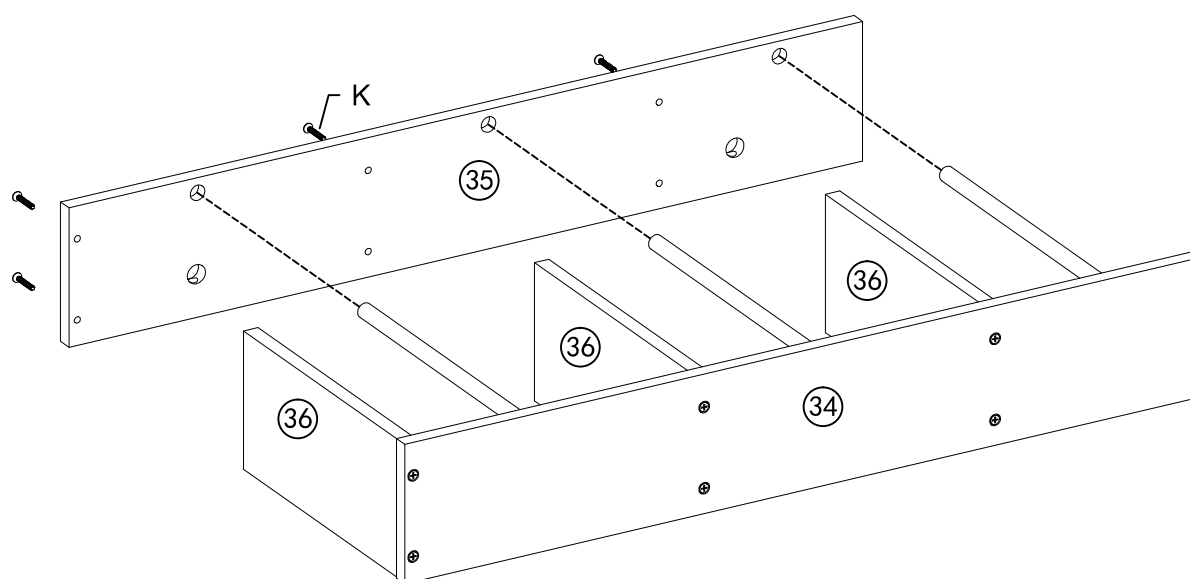
	J x 4
	H x 2

# STEP 37



K x 6

# STEP 38

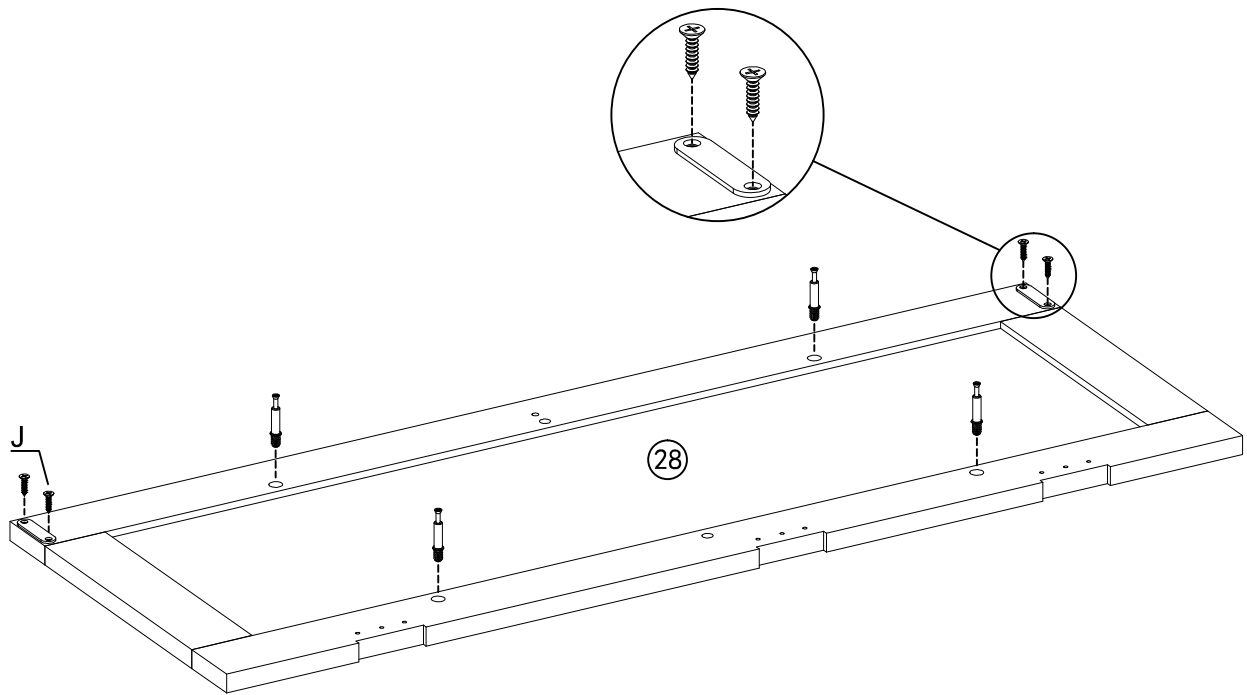



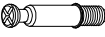

N x 3



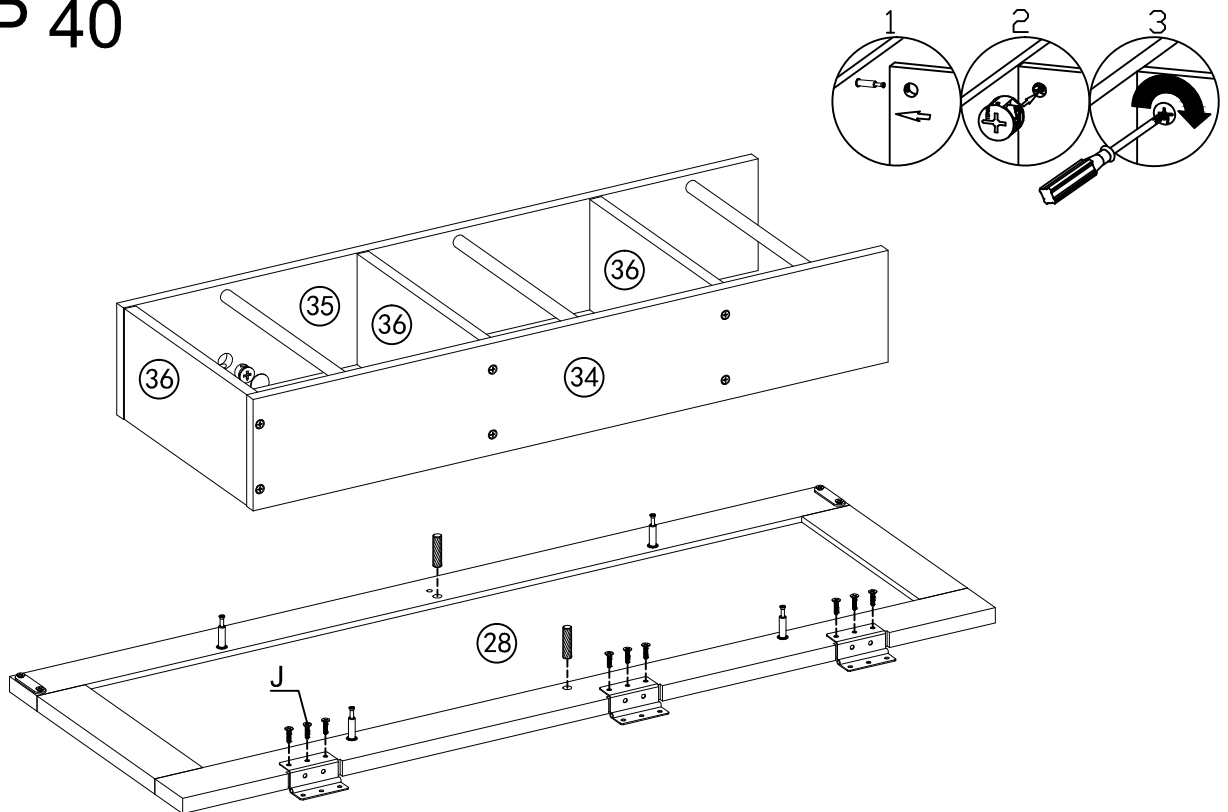
K x 6






# STEP 39



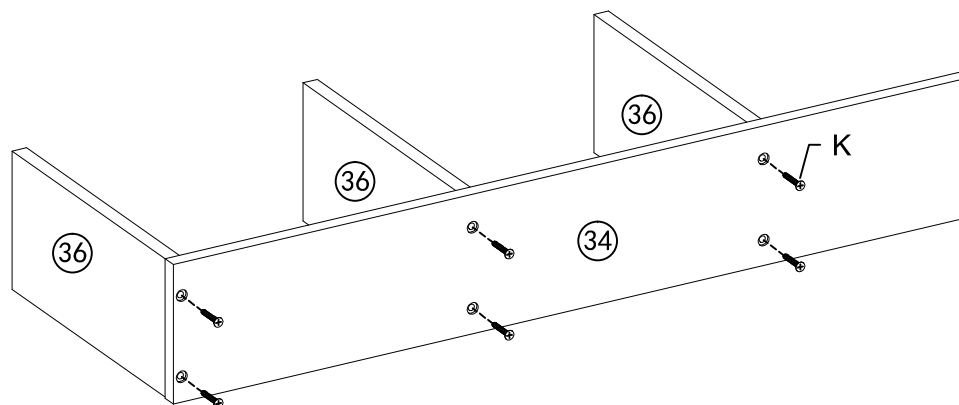
	J x 4		
	A x 4		I x 2

# STEP 40



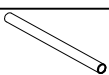
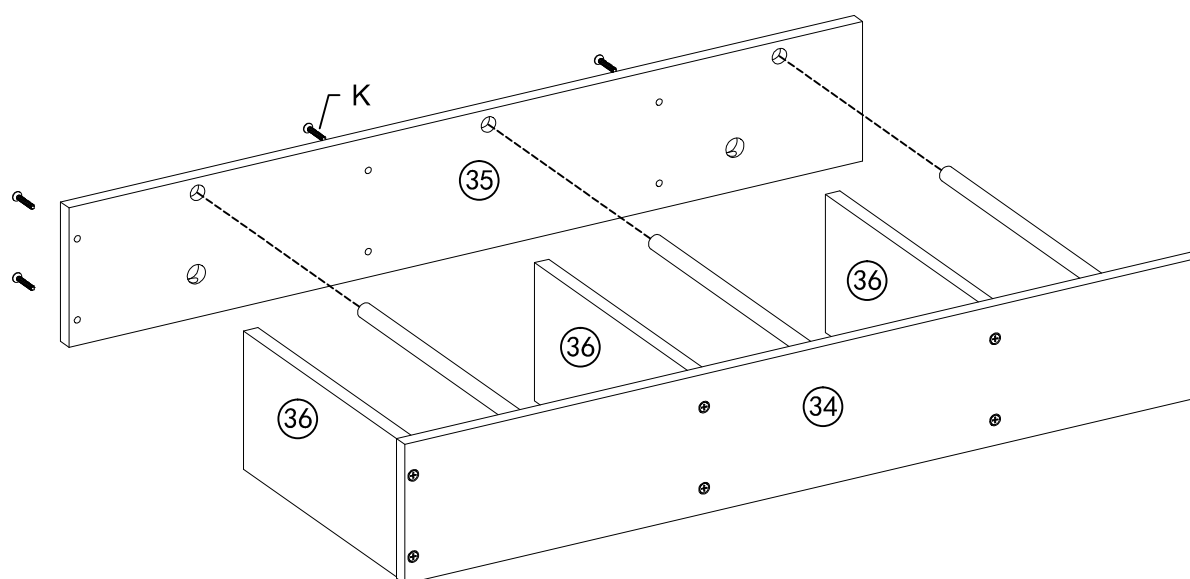
	C x 2						
	B x 4		J x 9		F x 3		D x 4

# STEP 41



K x 6

# STEP 42

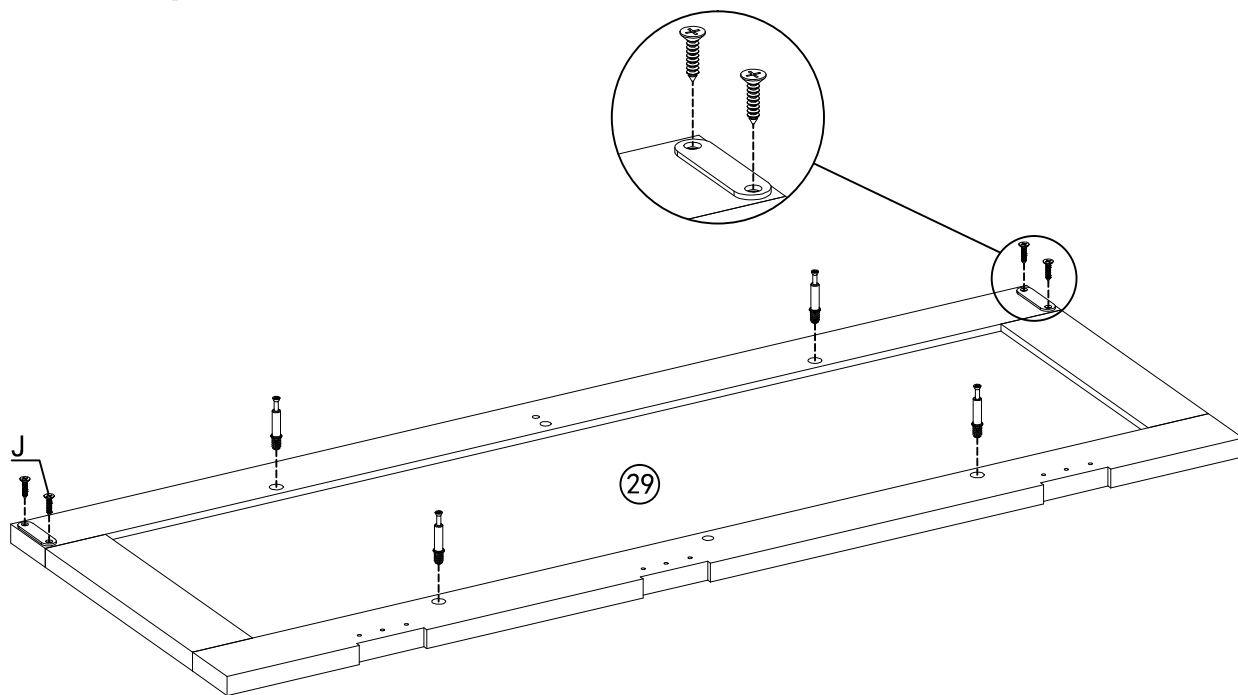



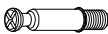

N x 3



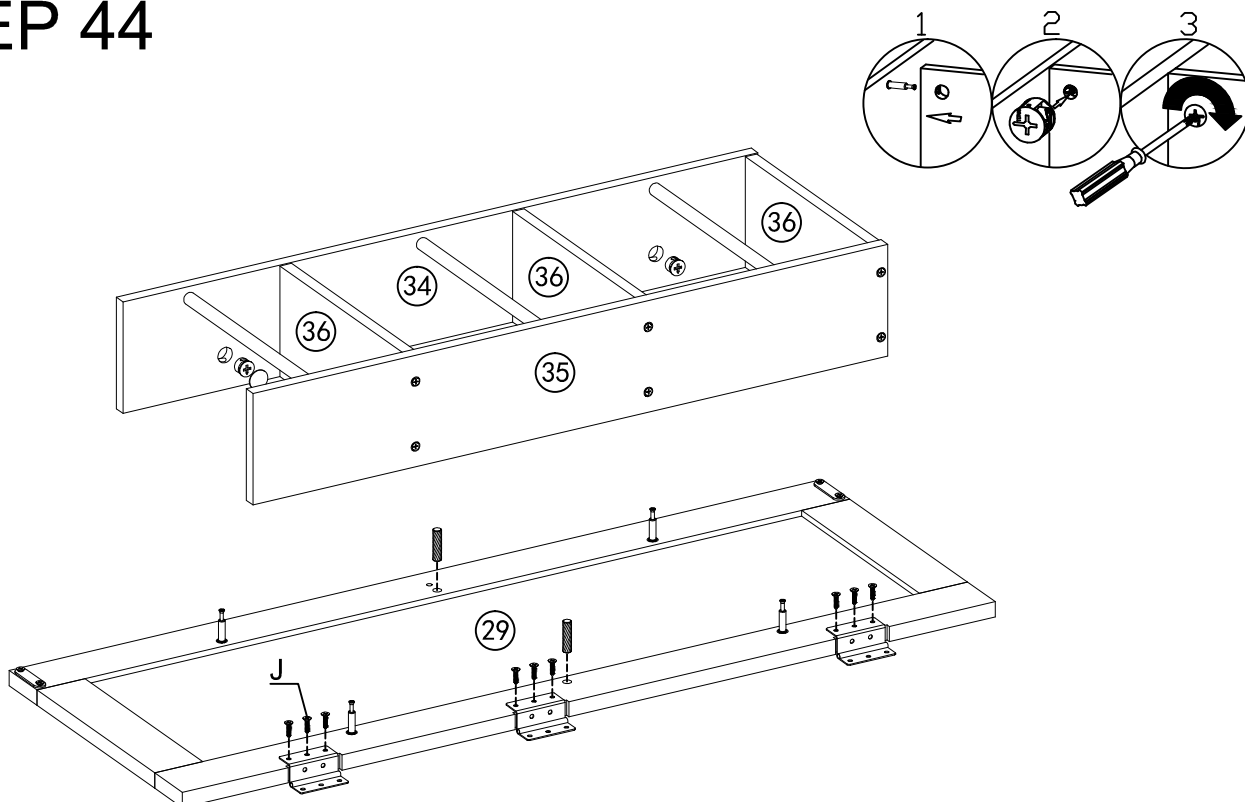
K x 6






# STEP 43



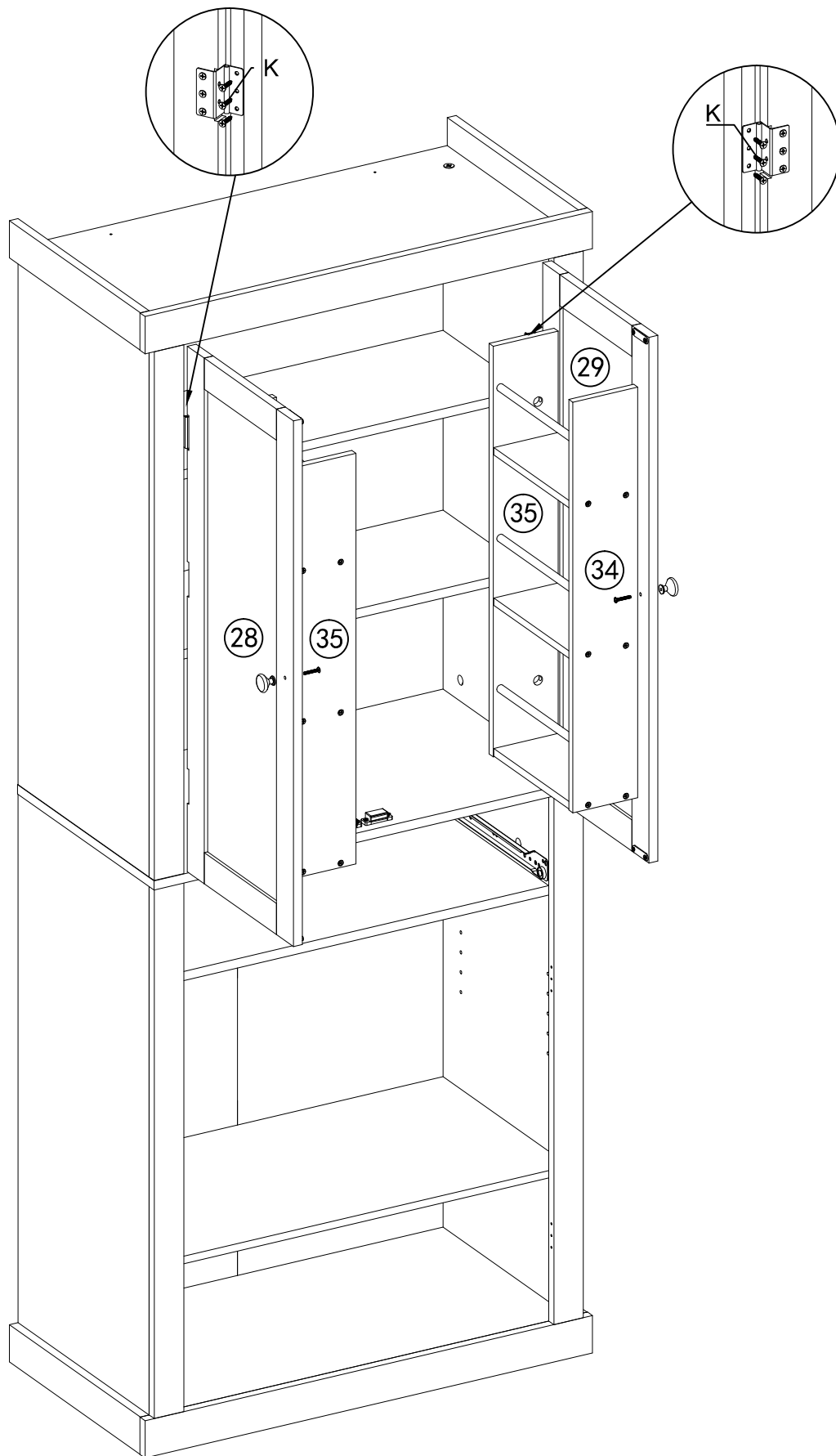
	J x 4		
	A x 4		I x 2

# STEP 44





	C x 2						
	B x 4		J x 9		F x 3		D x 4

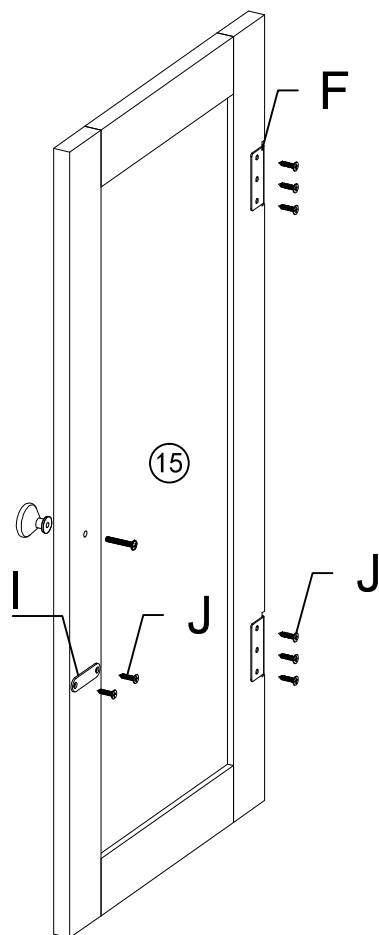
# STEP 45







Note: The left and right side doors are installed in the same way, the screws "L" and the door holes must be aligned during installation, if there is a point of playing crooked, after assembly, it will lead to the 2 doors do not line up correctly.

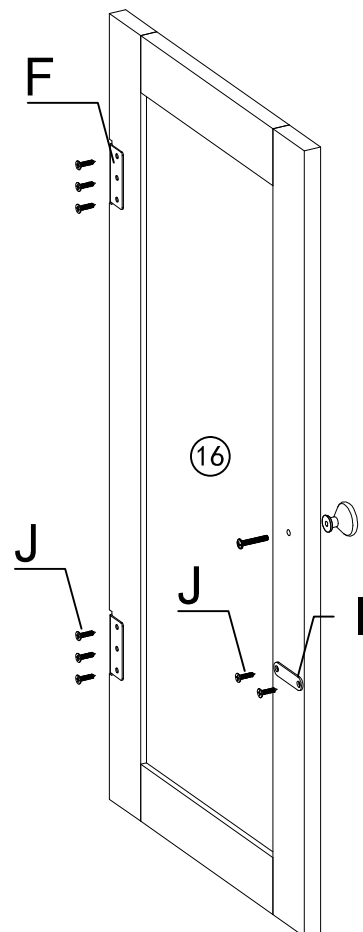
	O x 2
	K x 18



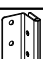

# STEP 46



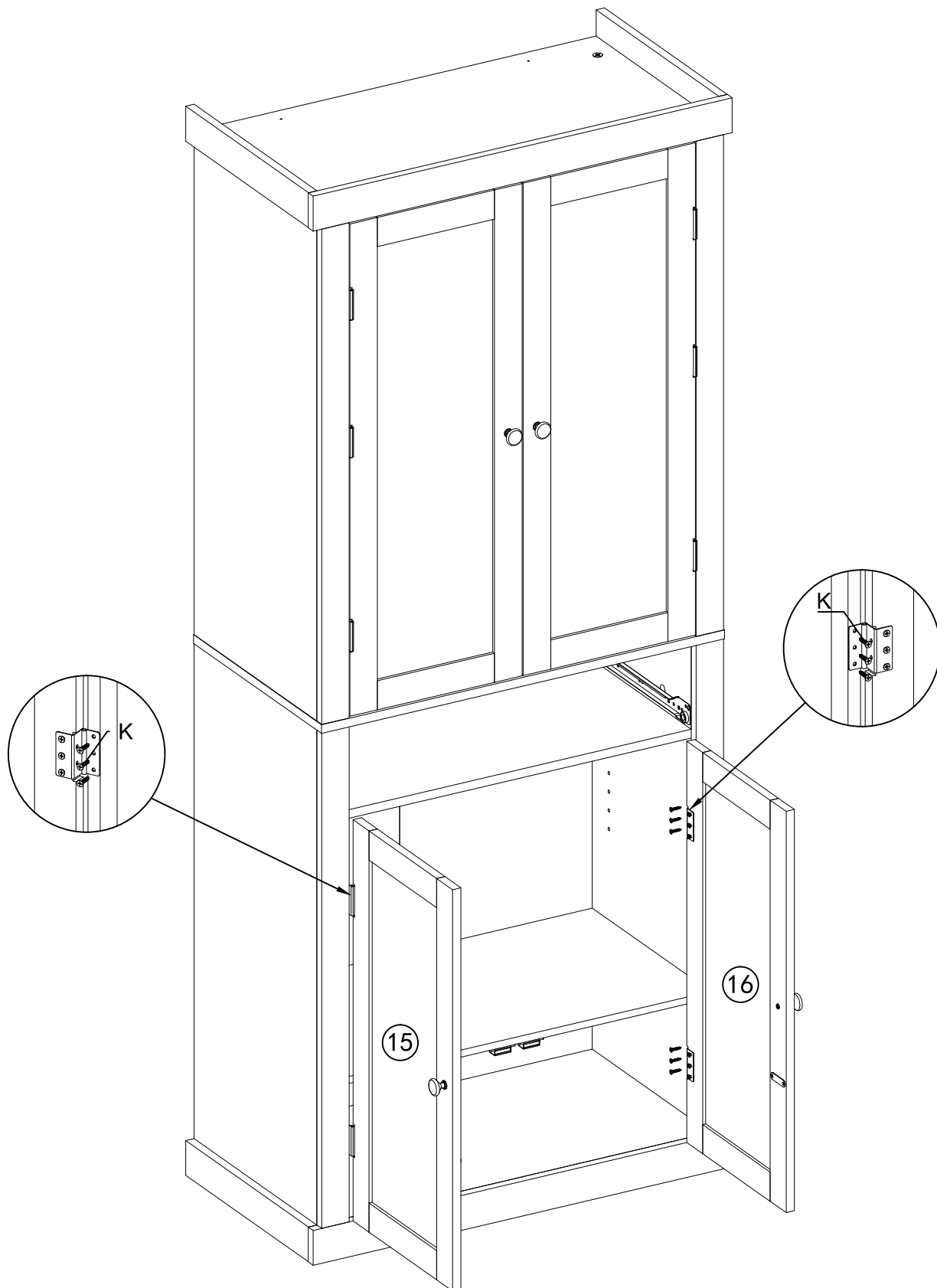
	J x 8
	I x 1
	F x 2
	O x 1

# STEP 47



	J x 8
	I x 1
	F x 2
	O x 1

# STEP 48

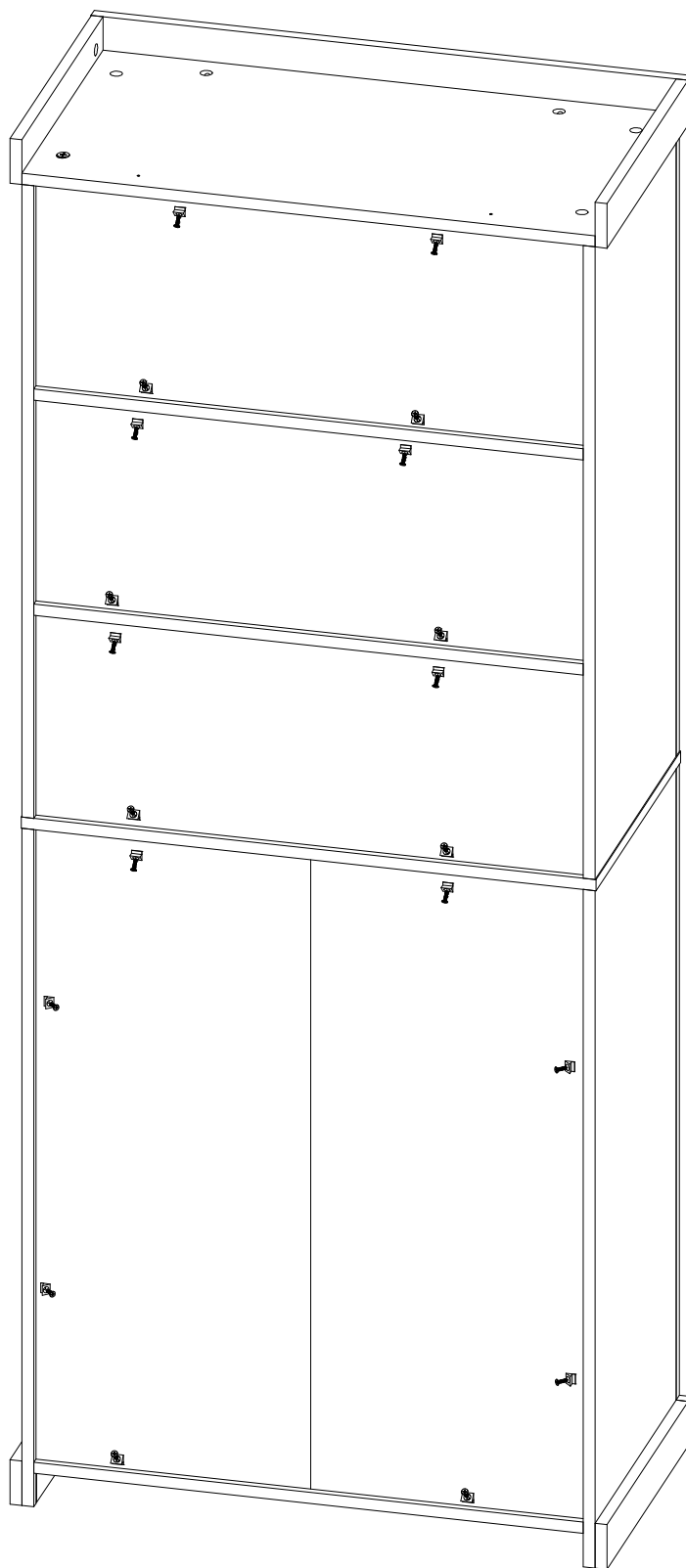


Note: The left and right side doors are installed in the same way, the screws "L" and the door holes must be aligned during installation, if there is a point of playing crooked, after assembly, it will lead to the 2 doors do not line up correctly.





K x 12

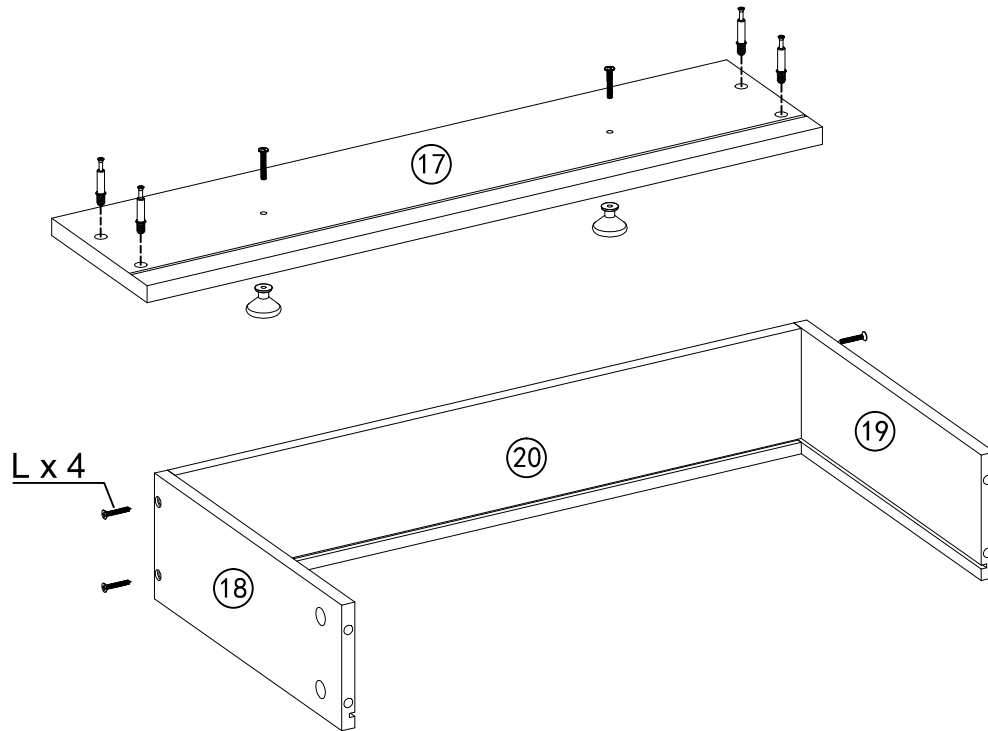
# STEP 49



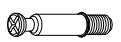
Note: The location of the plastic peices "G" can be arbitrary, mainly to increase the stability of the cabinet.

	G x 20
	J x 20

# STEP 50



O x 2

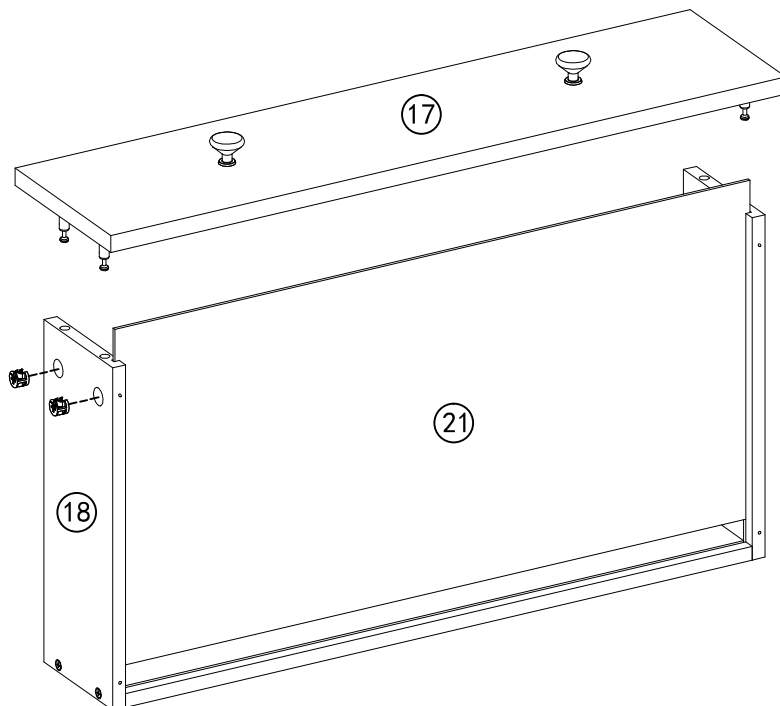
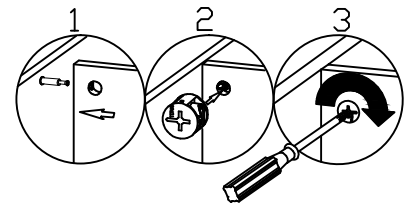


A x 4



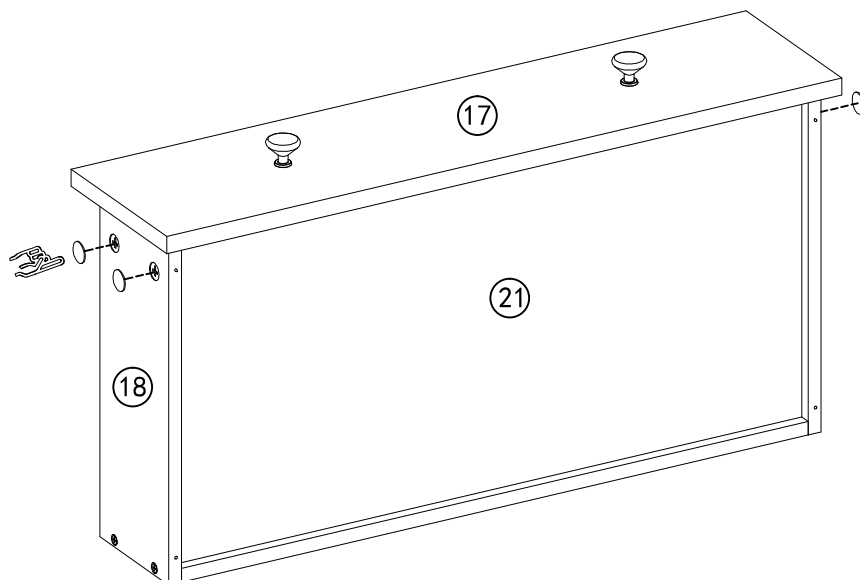
L x 4

# STEP 51



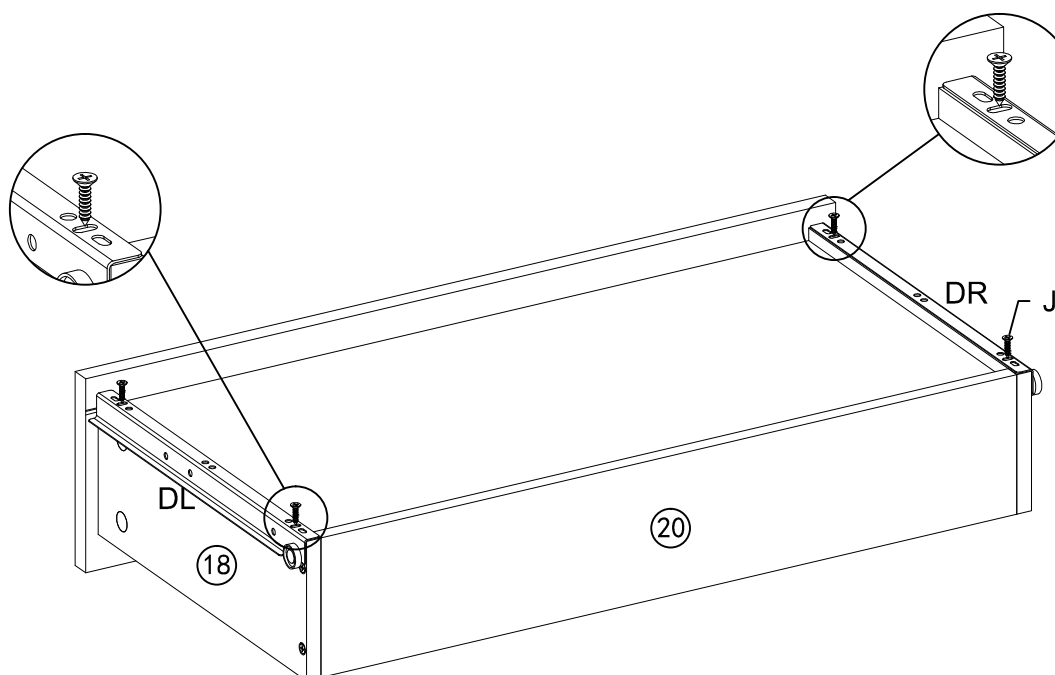
B x 4

# STEP 52

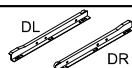


D x 4

# STEP 53

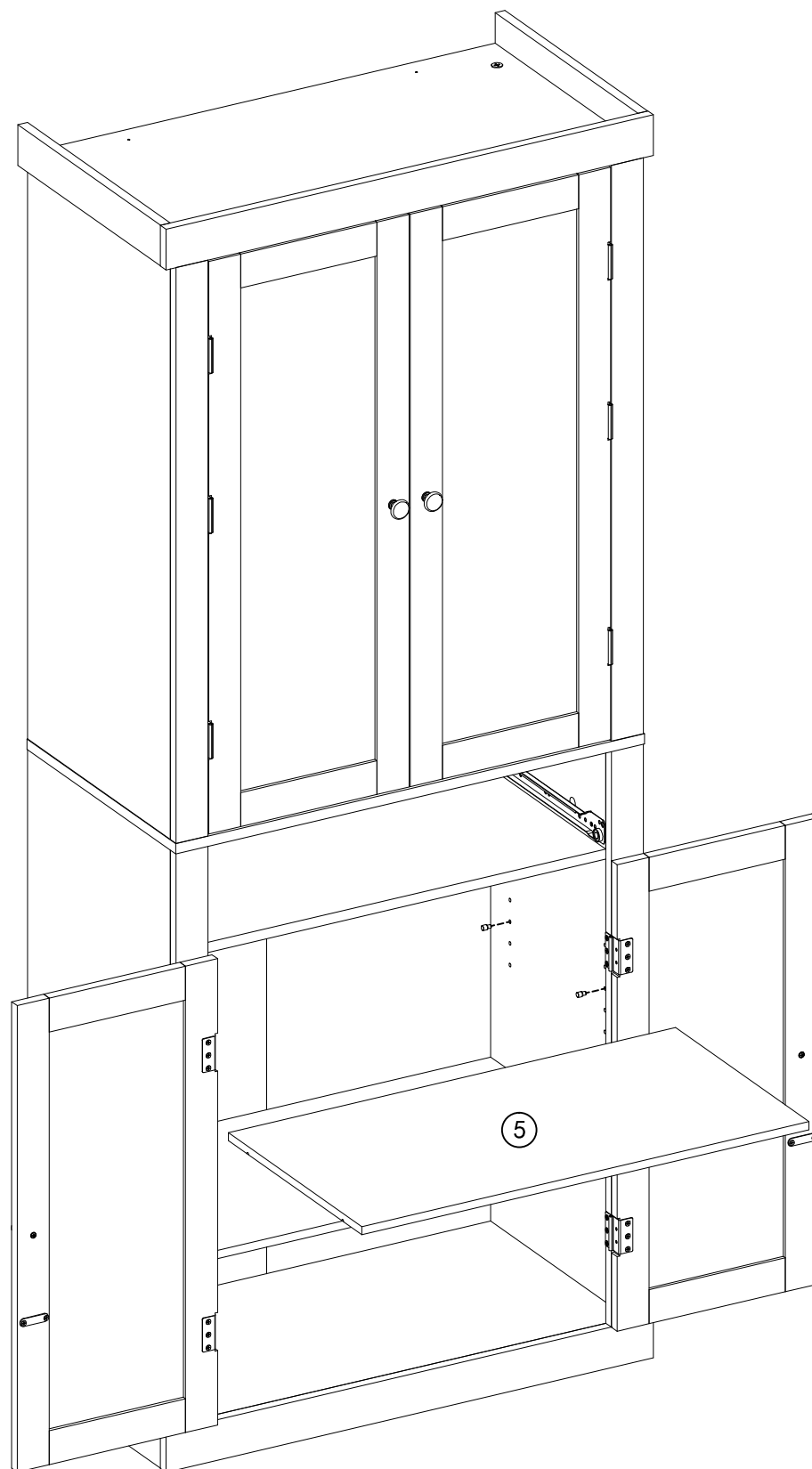


J x 4



Q x 1

# STEP 54



E x 4

# STEP 55

