

ASSEMBLY INSTRUCTIONS **5 TIER BOOKCASE**

IMPORTANT : READ THESE INSTRUCTIONS CAREFULLY BEFORE ATTEMPTING TO ASSEMBLE OR USE YOUR 5 TIER BOOKCASE.

PLEASE KEEP THESE INSTRUCTIONS FOR FUTURE REFERENCE.

ASSEMBLY:

Assembly should be carried out with this item laying flat, not standing upright.

Assemble on a soft, clean surface to prevent damages.

To erase the numbers printed on the pieces, use the rubber into the accessories pack.

HEALTH & SAFETY:

DO NOT use this 5 tier bookcase if any parts are missing, damaged or worn.

DO NOT use this 5 tier bookcase unless all fixings are secured.

Always use on a level, even surface.

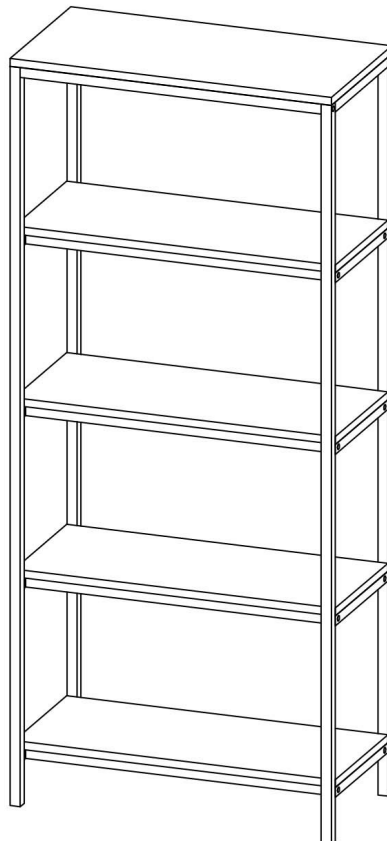
CARE & MAINTENANCE:

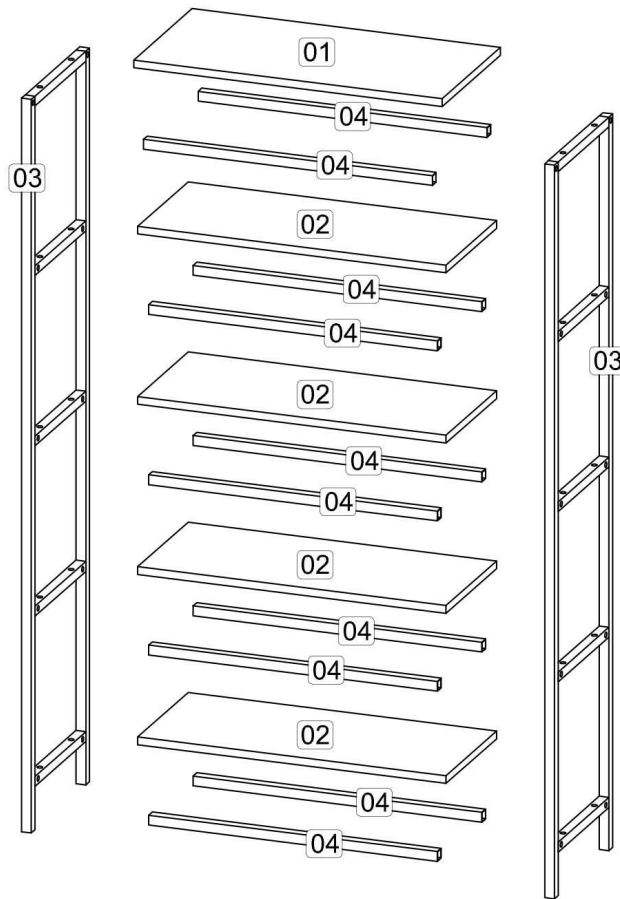
Periodically check all screws & fixings to ensure they are secure.

DO NOT push the 5 tier bookcase as this will cause damage.

Always lift the 5 tier bookcase with two people to repositions.

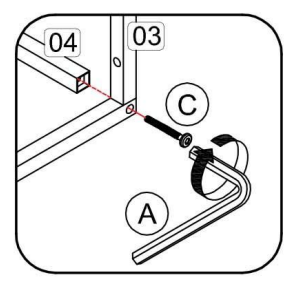
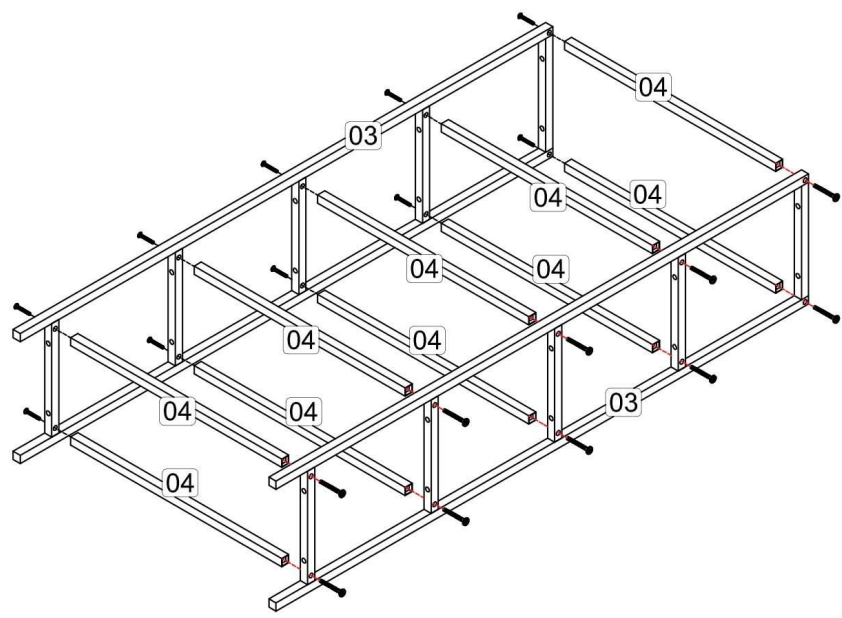
Keep any sharp objects away from the 5 tier bookcase.



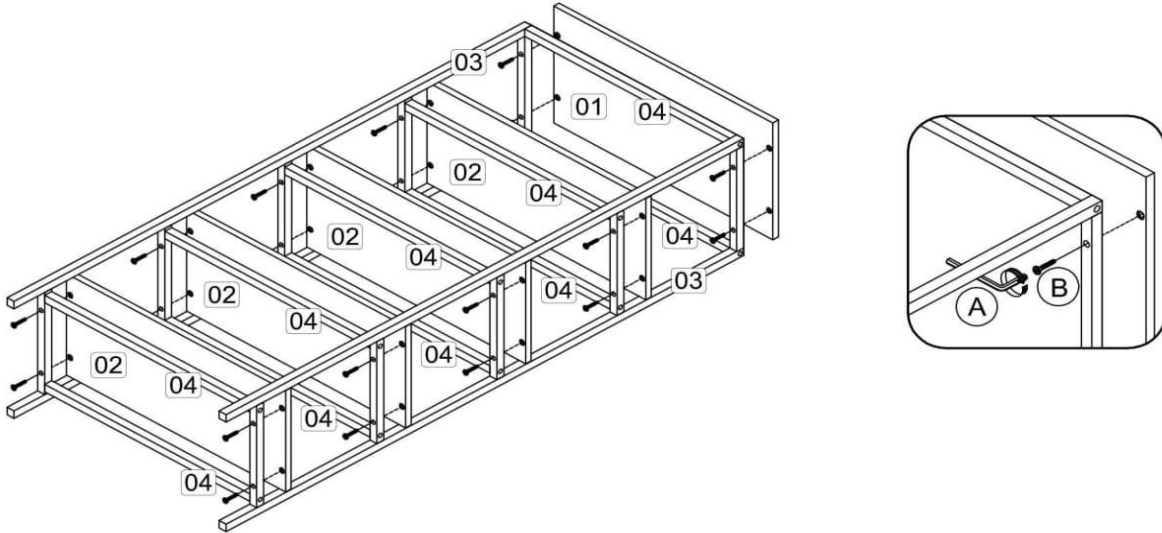


Parts List			Hardware List		
Part	Description	Qty	Part	Description	Qty
01	Top panel	1	A	Allen key M4	1
02	Middle panel	4	B	JCBC screw M6 x 30mm	20
03	Metal Side (Left & Right)	2	C	JCBC screw M6 x 40mm	20
04	Metal Middle	10	D	M3.5 x 16mm C.B Screw	2
** You will need a small mallet and a screwdriver for assembly. ** Some screws and wooden dowel may remain.			E	M4 x 38mm C.B Screw	2
			F	8" x 1" PP tape	2
			G	Wall plug	2

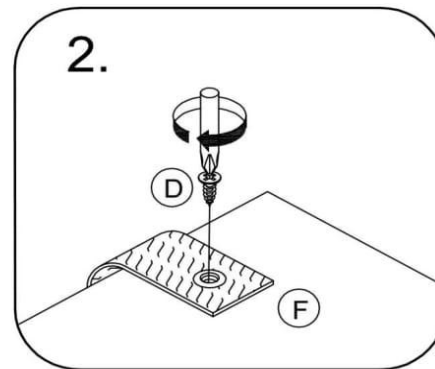
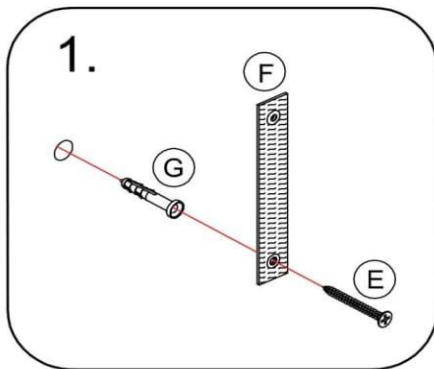
Step 1: Attach the Metal Middle (4) to Metal Side (3) using hardware A and C.
DO NOT use any power tools as this may damage the frame and will invalidate any claim.



Step 2: Attach the Metal Side (3) to panel (1) using hardware A and B.
 Attach the Metal Side (3) to panel (2) using hardware A and B.
DO NOT use any power tools as this may damage the frame and will invalidate any claim.



Step 3: To secure the item to the wall use hardware E, F and G using a screwdriver (not provided).
 Then attach hardware part F to the panel (1) using hardware D with a screwdriver (not provided).
DO NOT use any power tools as this may damage the frame and will invalidate any claim.
Birlea Furniture advise you use the wall straps provided to further enhance the safety of this product.



Additional Information:

- For complete product information, images and dimension diagrams please visit the website
- If you have any issues with your item please contact the retailer directly you purchased it from who will be able to resolve any issues with us.
- Why don't you send us photos of your assembled furniture to be shared in our feature on instagram.