

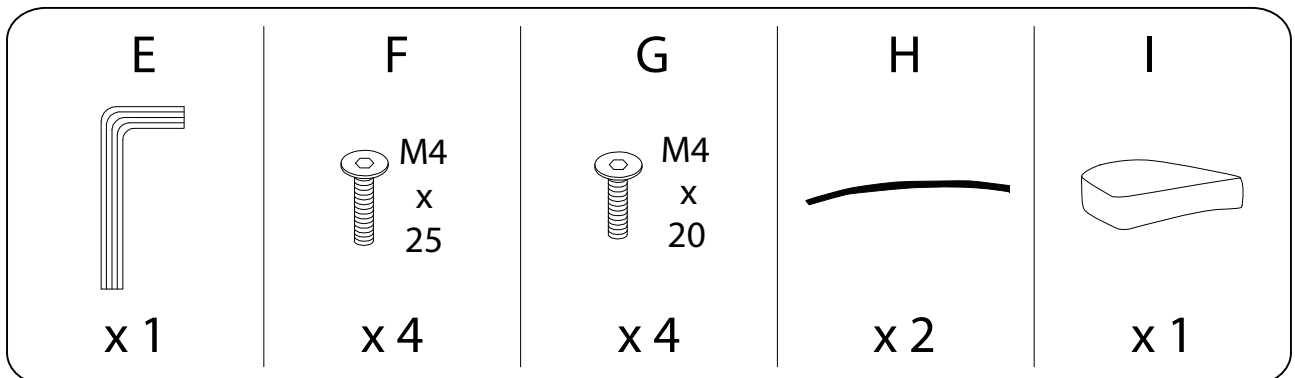
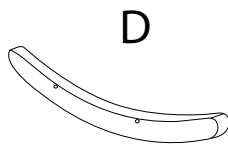
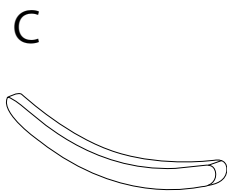
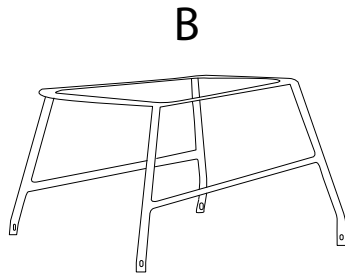
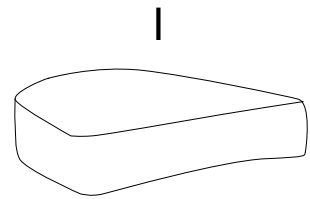
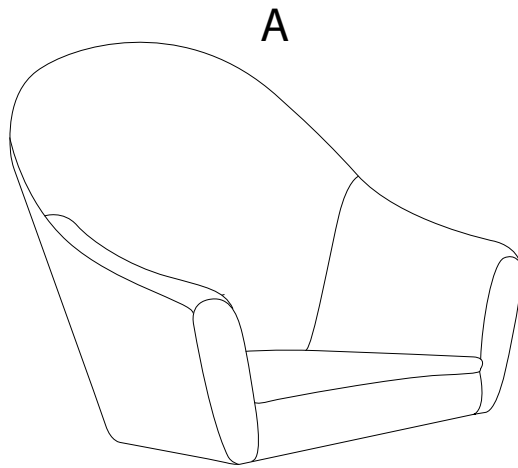
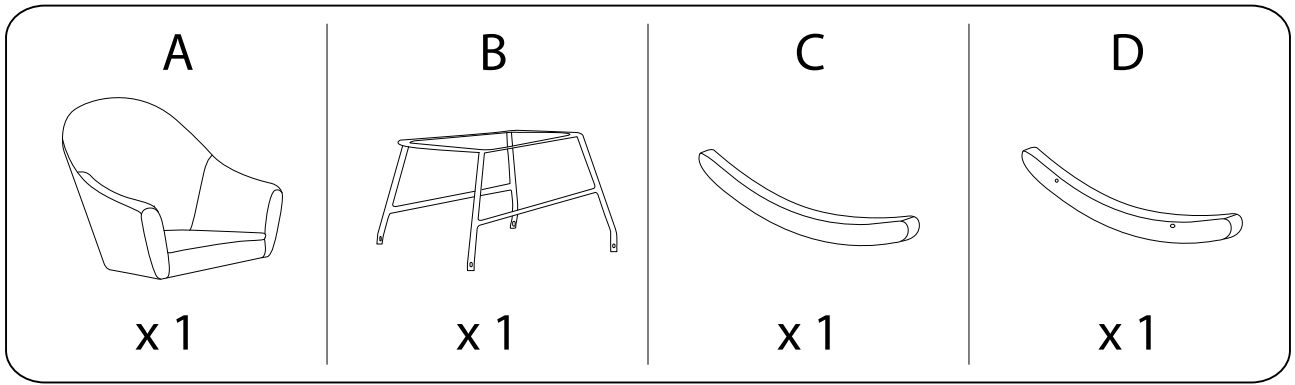
Assembly instructions for the rocking chair, including safety warnings, time, and person requirements.

Warning 1: Do not use a power drill. Use an Allen key (shown in a circle) to tighten the screws.

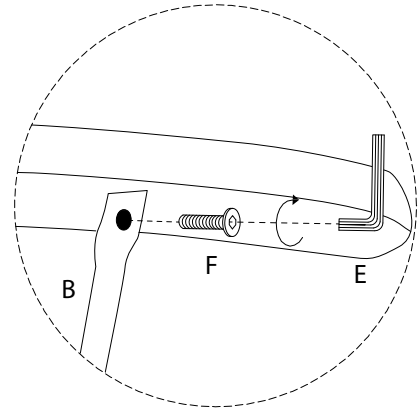
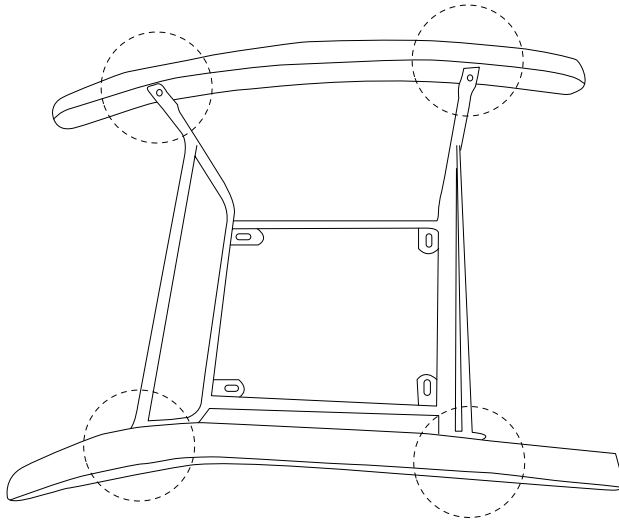
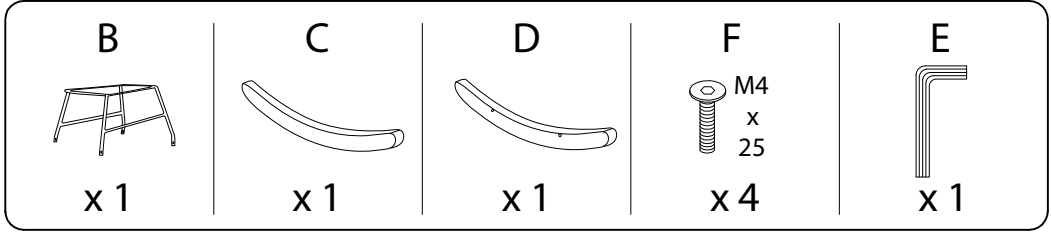
Warning 2: Do not use a power drill to tighten the screws. Use a screwdriver (shown in a circle) to tighten the screws.

Time: 20'

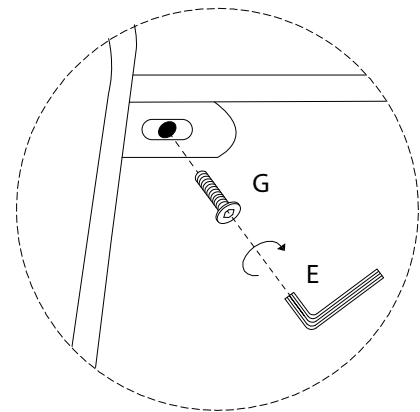
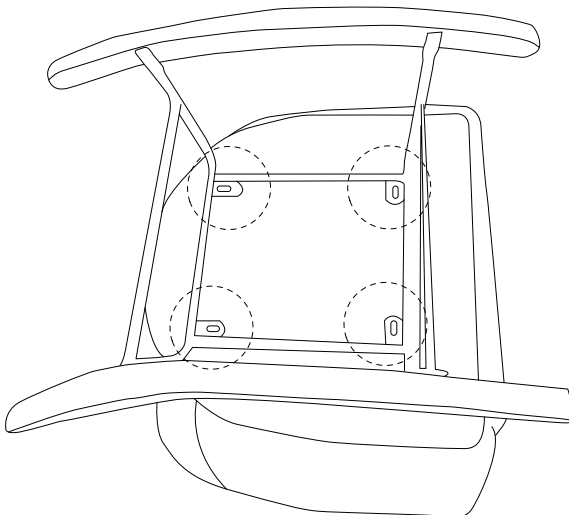
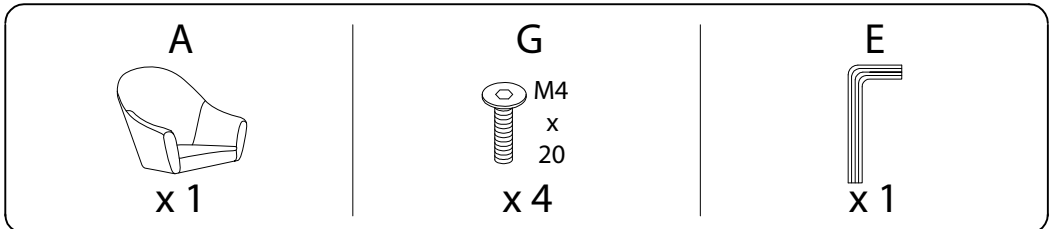
Personnel: 1



1



2

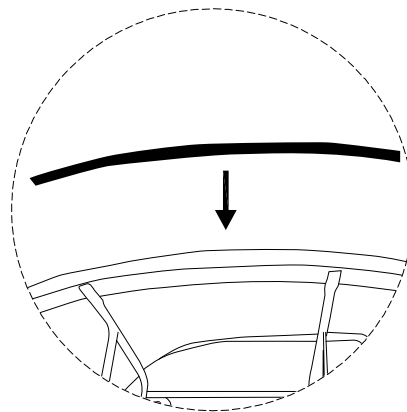
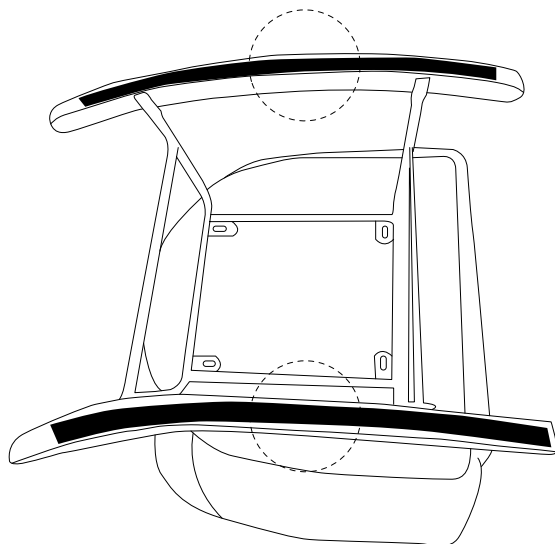


3

H



x2



4

I



x1

