

# Installation instructions

## One.Component List:

- 1.Wall profile 2pcs
- 2.Frame+fixed glass 1set
- 3.Waterproof tape of the fixed glass 1piece
- 4.Rotor 2pcs
5. 4\*25screw 6pcs
- 6.Wall colloidal particles 6pcs
- 7.Handle 1piece
- 8.Door glass 1piece
- 9.Lower waterproof tape 1piece

## Two.Ready for install tools:

### 1.Tools:

Percussion drilling



Straight screwdriver



### 2.Checking:

Please read this installation instruction after opening the box, check all the fittings quantity, whether damage during the transporting. If have any questions, please contact our dealer or our factory.

Track level bar



Tape



Drills (3. 2)



Cross Screwdriver



3. If the glass have picture, please let the printing inside, frosted side outside

sinker



Pencil

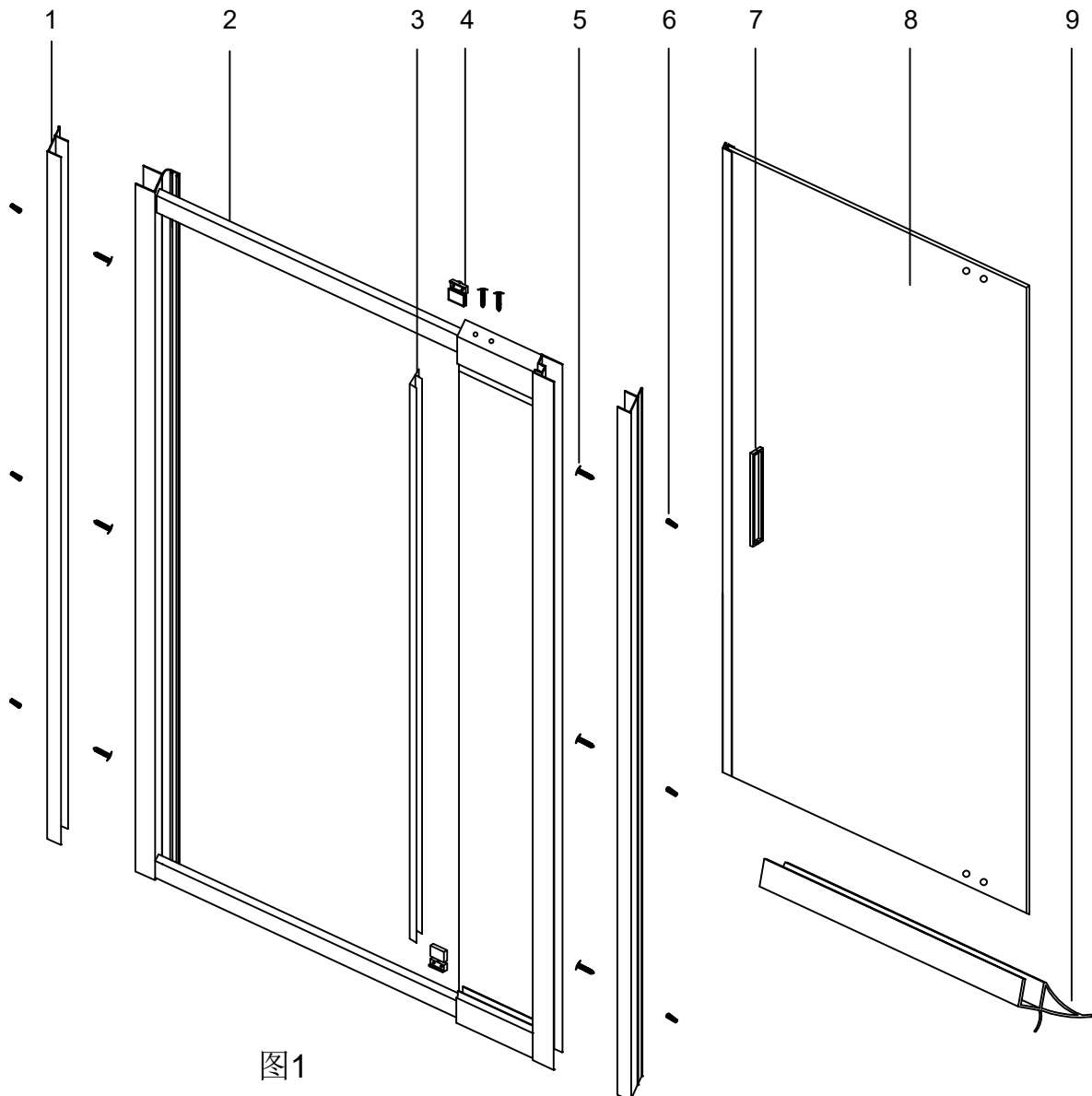
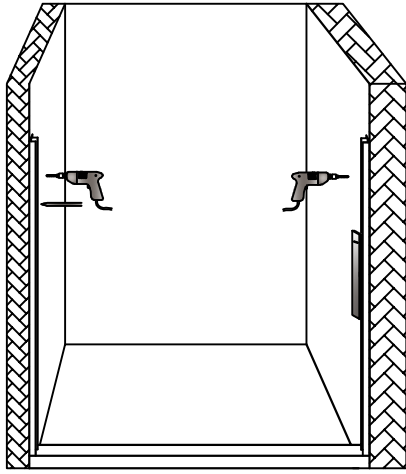


图1

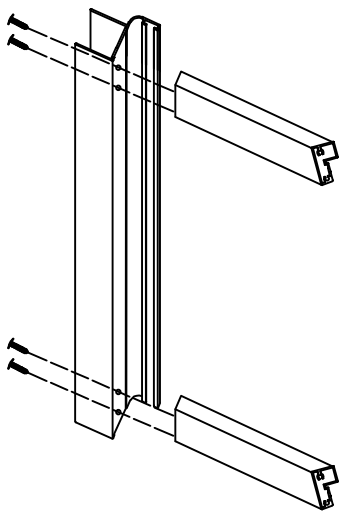


picture 2

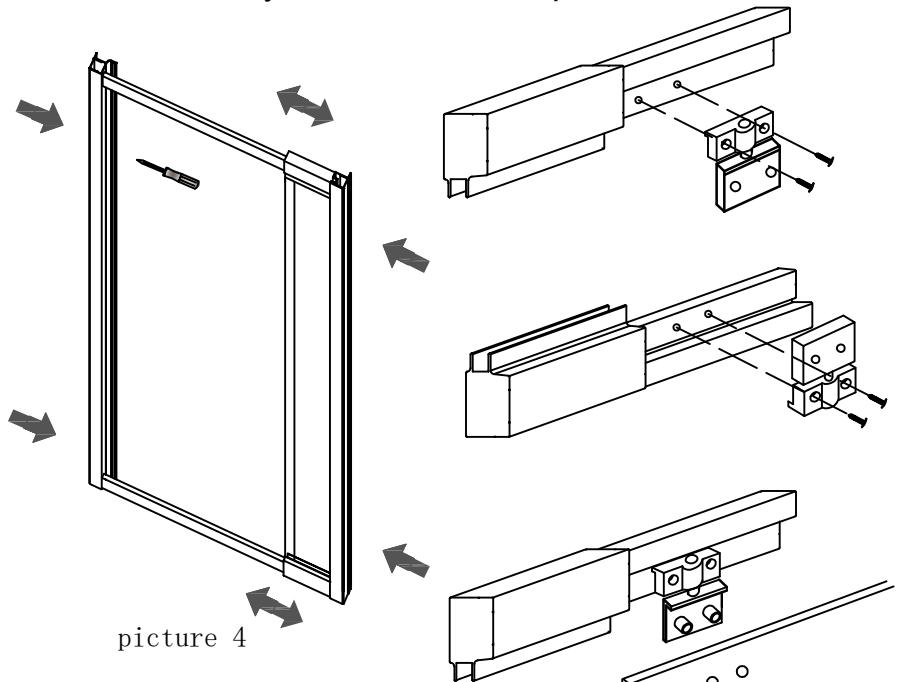
### Three. Install step:

#### 1. Frame's installation

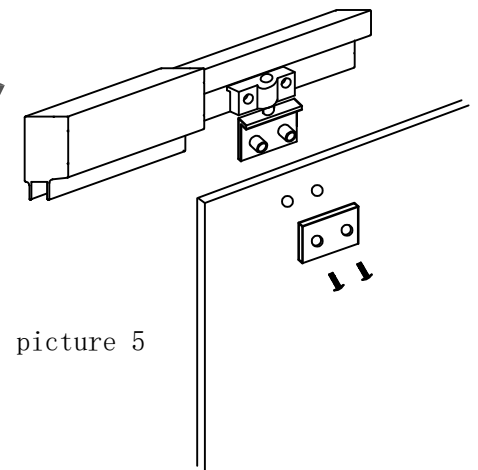
Put the Wall frame on the suitable position of the wall, using the Leveler to check if level and vertical. Mark the position of six holes with pencil and then drill six  $\text{Ø}6\text{mm}$  holes by Hammer drill. Put the Wall colloidal particles into the holes. As picture 2. The magnetic strip vertical material is connected to the upper and lower tracks using  $4 \times 25$  self-tapping screws, as picture 3. Put the Wall frame into the frame, which is set up in advanced, Then put it in the installation place. Adjust the suitable size by flexible profile. Fix the frame on the wall by  $4 \times 25$  screws. As picture 4.



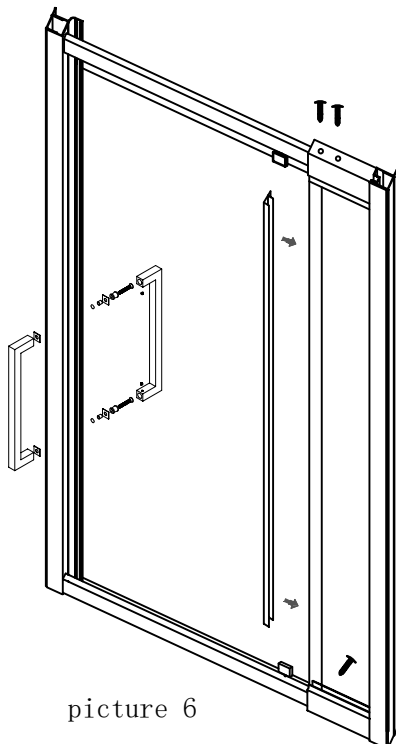
picture 3



picture 4



picture 5



picture 6

#### 2. Door glass's installation

Connect the rotor with the top profile and the lower profile with screws. Twist off the cover of the rotor by Hex key. After install the glass, put the cover on the glass and tighten them with screws. As picture 5.

After adjust the door glass, drill holes on the top profile of the fixed glass and lock them by small screws. Drill holes on the side of the fixed glass's lower profile and lock. Install the handle, fixed glass's waterproof tape and lower waterproof tape. As picture 6.

After finish installation, use glass cement to seal the profiles against the wall and the ground. It can be used after 24 hours.