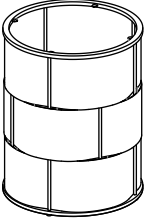
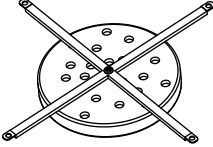
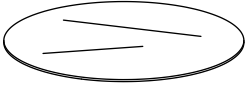

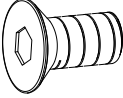
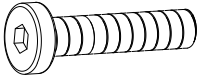
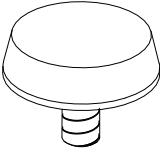


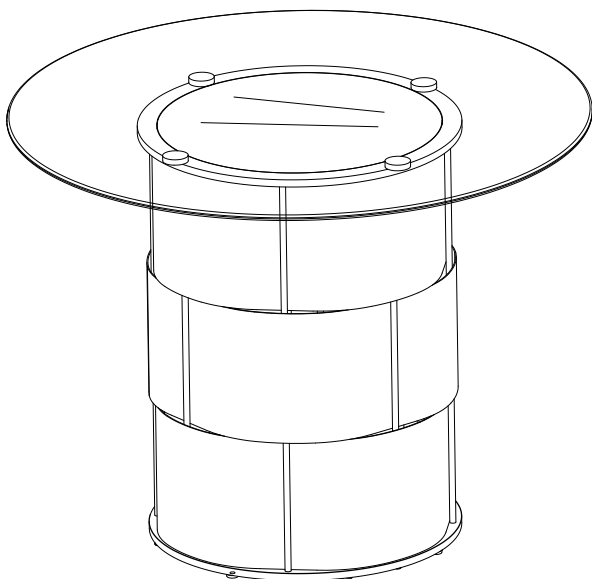


ASSEMBLY INSTRUCTION

FOR 48" GLASS TOP

DRUM SHAPE DINING TABLE

A Metal Base  1pc	B Round Pedestal W / Cross Bar  1pc	C Mirror  1pc
D Glass Top (In other carton)  1pc	E Screw 1/4"x1/2"  4pcs	F Screw 1/4"x3/4"  4pcs
G Leveler  4pcs	H Mirror Pad  4pcs	I Allen Wrench  1pc

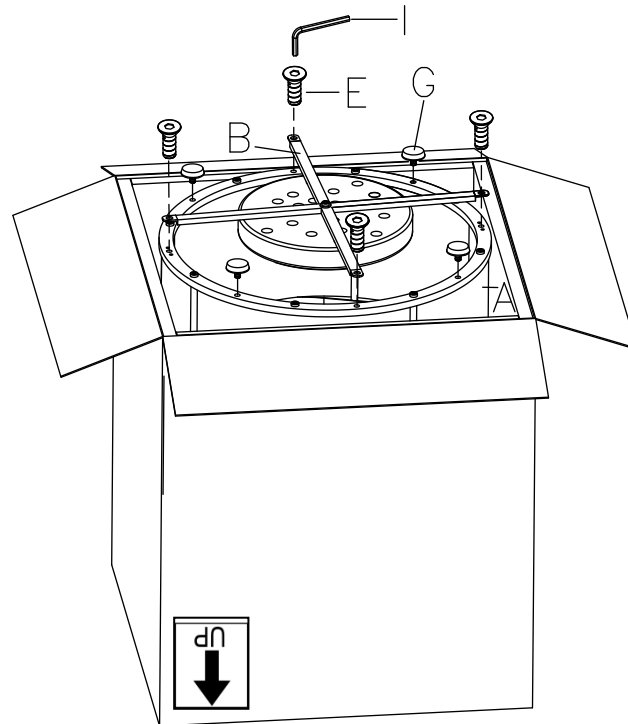


This page lists all the contents included in the box. Please take the time to identify the hardware as well as the individual components to this product. As you unpack and prepare for assembly, place the contents on a carpeted or padded area to protect them from damage.

1

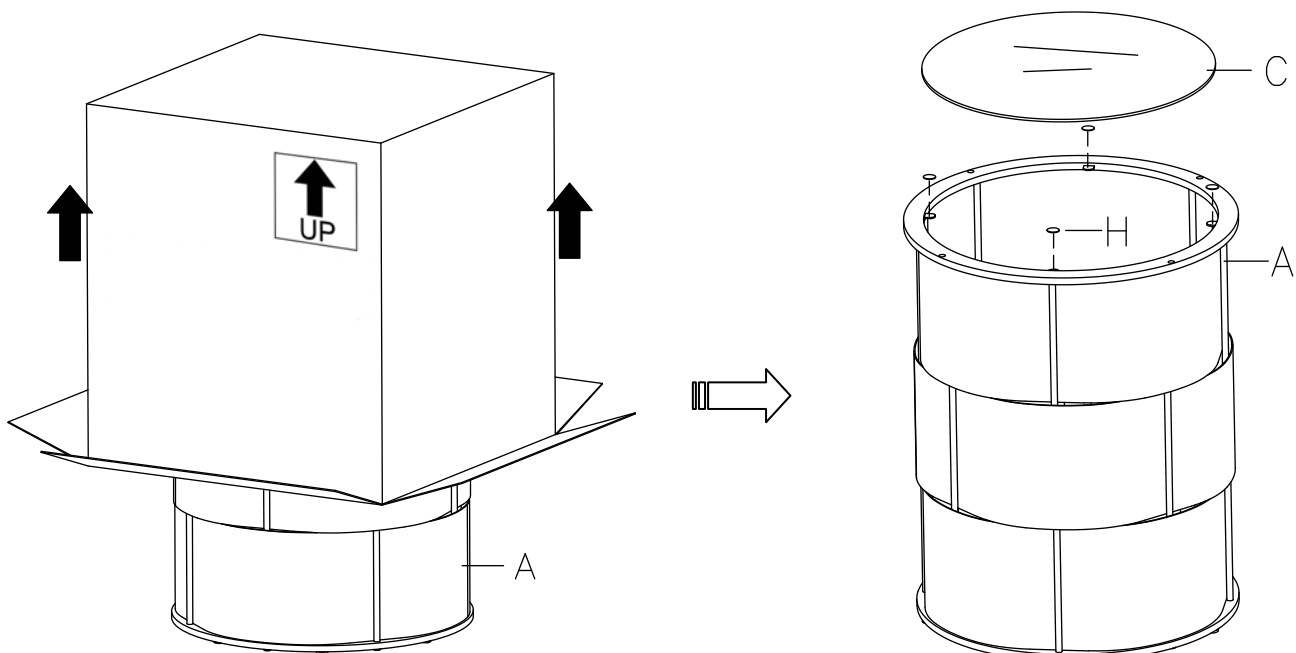
IMPORTANT NOTICE: Please make sure you open the carton following the arrow direction on the carton. Take out the round pedestal w/ cross bar (B) and inner carton of mirror (C) first before being ready for assembly. Please do not remove the carton while attaching round pedestal w/ cross bar (B) to metal base (A).

Attach metal base (A) to round pedestal w/ cross bar (B) using screw (E) and allen wrench (I). Then attach leveler (G) to the metal base (A) as shown.

**2**

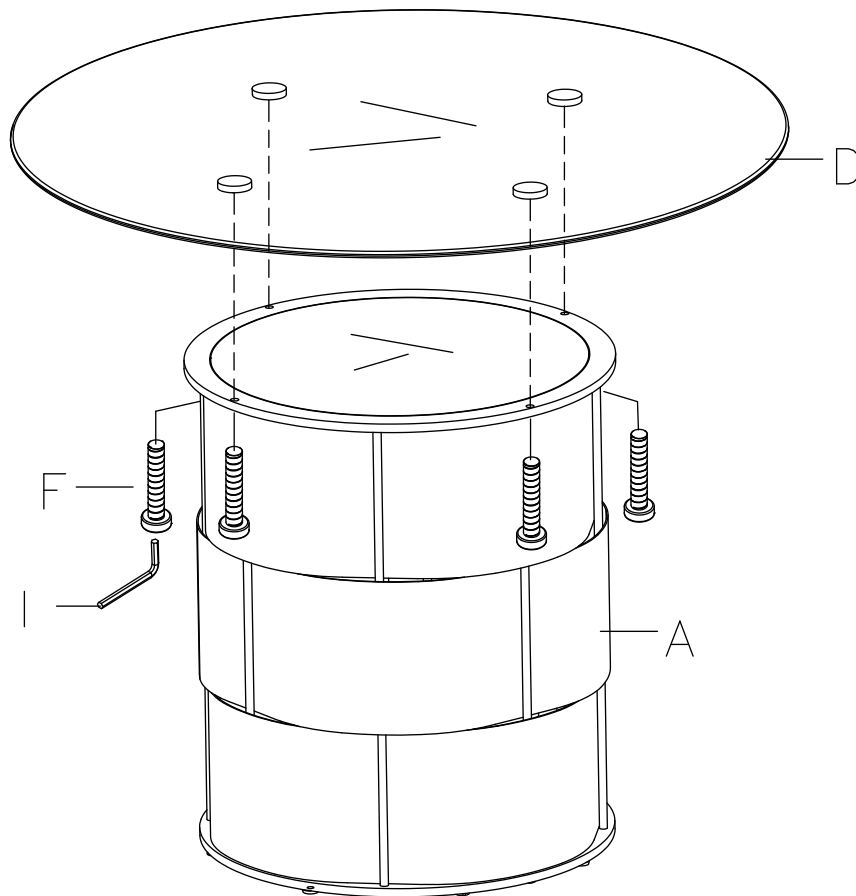
After Step 1, please turn the assembled metal base with carton upright. Then, remove the carton.

Put mirror pad (H) onto metal base (A) before placing mirror (C) as shown below.



3

Carefully attach glass top (D) to metal base (A) using screw (F) and allen wrench (I).
Your dining table assembly is now complete.



Cleaning & Care

Treat surface with care. Surface is resistant to scratches but is not scratch resistant. Clean surfaces with a dry or damp soft cloth. Do not use abrasive cleaners. Hardware may loosen over time. Periodically check that all connections are tight.