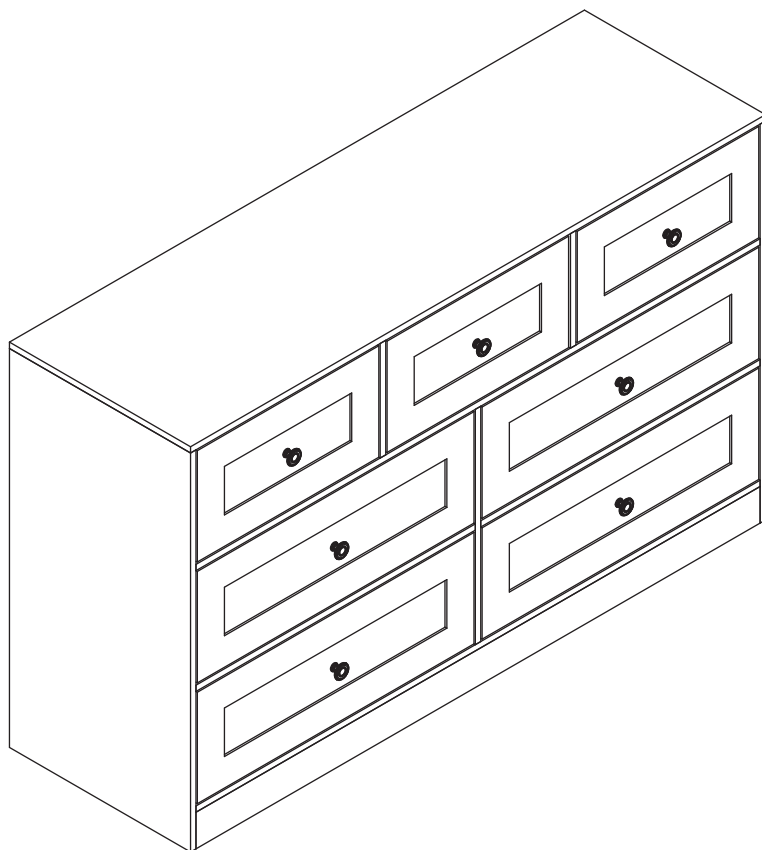


# 3/4 DRAWER CHEST

Instruction manual





# CONTENTS

---

Safety and care advice	<b>1</b>
Components – panels	<b>2</b>
Components – fittings	<b>3</b>
Assembly instructions	<b>5</b>
Copyright	<b>20</b>

---

# ⚠ SAFETY AND CARE ADVICE ⚠

---

PLEASE READ THESE INSTRUCTIONS CAREFULLY AND KEEP FOR FUTURE REFERENCE

**Warning:** Please lift with care.

- Check you have all the components and tools listed on pages 2 and 3.
- Remove all fittings from the plastic bags and separate them into their groups.
- Keep children and animals away from the work area, small parts could choke if swallowed.
- Make sure you have enough space to layout the parts before starting.
- Do not stand or put weight on the product, this could cause damage.
- Assemble the item as close to its final position (in the same room) as possible.
- Assemble on a soft level surface to avoid damaging the unit or your floor (use opened out unit carton).



- We do not recommend the use of power drill/drivers **for inserting screws**, as this could damage the unit. Only use hand screwdrivers.
- Safety note:** If there is any chance of this unit being pulled over by children etc. it is recommended that the unit is secured to a wall using suitable fixings.
- Dispose of all packaging carefully and responsibly.

## CARE AND MAINTENANCE

---

- Only clean using a damp cloth and mild detergent, do not use bleach or abrasive cleaners.
- From time to time check that there are no loose screws on this unit.
- This product should not be discarded with household waste. Take to your local authority waste disposal center.

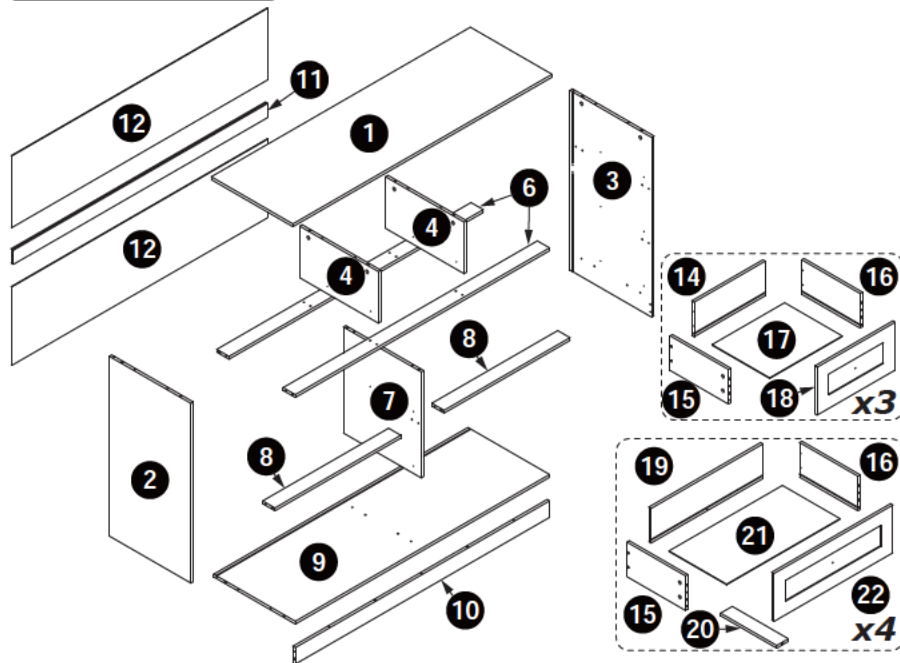
**Note:** *If required the next page can be cut out and used as reference throughout the assembly. Keep this page with these instructions for future reference*

# COMPONENTS — PANELS

Please check you have all the panels listed below:



**2 PERSON  
ASSEMBLY  
RECOMMENDED**



PANEL LIST

**PACK 1/2**

4	Vertical Panel	x2
7	Vertical Panel	x1
14	Drawer Back Panel	x3
15	Drawer Left Side Panel	x7
16	Drawer Right Side Panel	x7
17	Drawer Bottom Panel	x3
18	Drawer Front Panel	x3
19	Drawer Back Panel	x4
20	Drawer Support Bar	x4
21	Drawer Bottom Panel	x4
22	Drawer Front Panel	x4

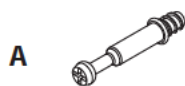
**PACK 2/2**

1	Top Panel	x1
2	Left Side Panel	x1
3	Right Side Panel	x1
6	Support Bar	x2
8	Support Bar	x2
9	Bottom Panel	x1
10	Skirt Panel	x1
11	Back Bar	x1
12	Back Panel	x2



# COMPONENTS — FITTINGS

Please check you have all the fittings listed below:



**A**  
Metal Dowel x 58



**B**  
Lock (Ø15x9.5mm) x 60



**C**  
Screw (Ø4x35mm) x 42



**D**  
Wooden Dowel (Ø8x30mm) x 33



**E**  
Screw (Ø4x20mm) x 7



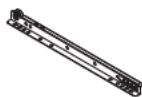
**F**  
Handle x 7



**G**  
Screw (Ø3x12mm) x 28



**H**  
Metal Slide - Female Right x 7



**I**  
Metal Slide - Male Right x 7



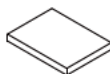
**J**  
Metal Slide - Female Left x 7



**K**  
Metal Slide - Male Left x 7



**L**  
Wooden Dowel (Ø6x30mm) x 14



**M**  
Foot pad x 6



**N**  
Safety Device x 2



**O**  
Wooden Dowel (Ø8x50mm) x 1



**P**  
Metal Dowel x 1



# COMPONENTS — FITTINGS

---

Q



Screw( $\varnothing$ 3x10mm) x 28

R



Screw( $\varnothing$ 3x14mm) x 6

S



Back Support x 6

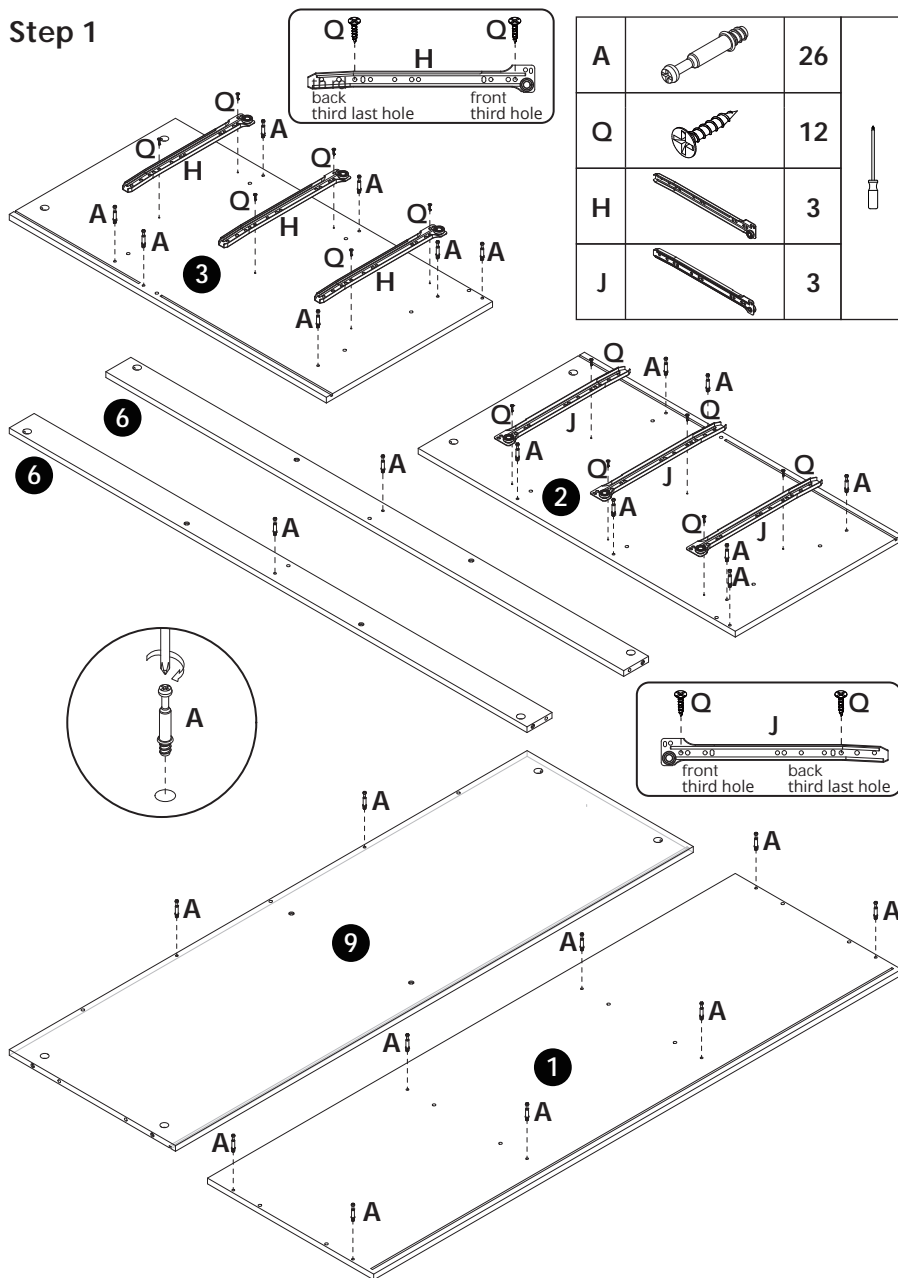
**TOOLS NEEDED**  
**(We don't provide)**



Phillips Screwdriver x 1

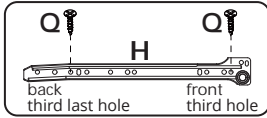
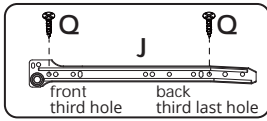
# ASSEMBLY INSTRUCTIONS

## Step 1

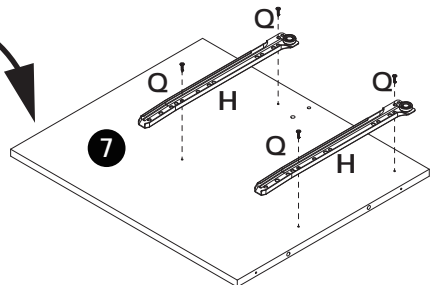
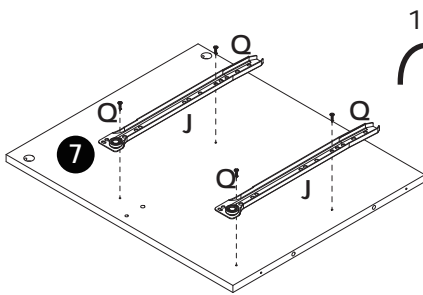
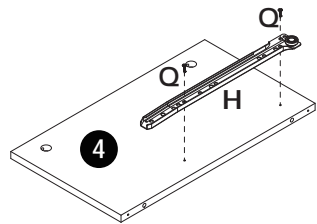
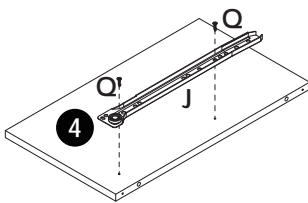


# ASSEMBLY INSTRUCTIONS

## Step 2

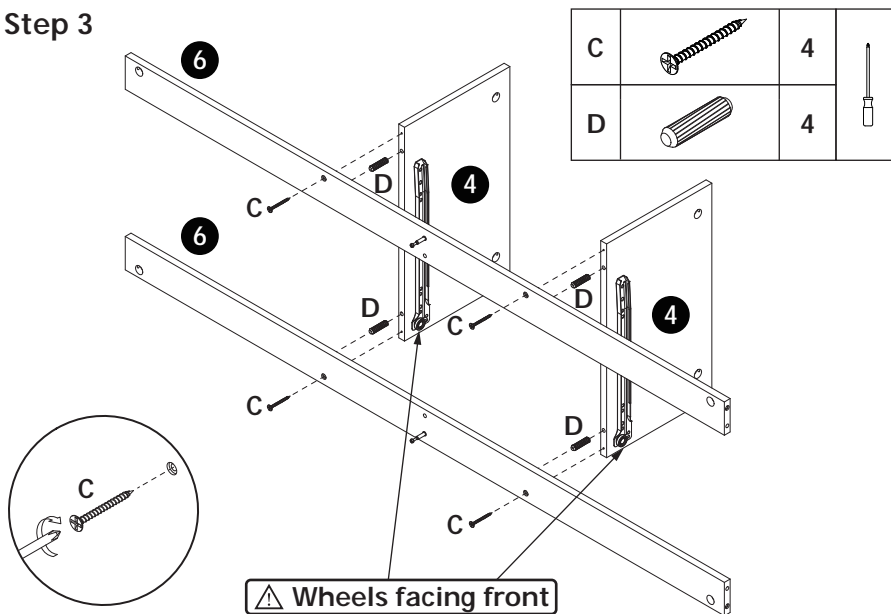


Q		16	
H		4	
J		4	

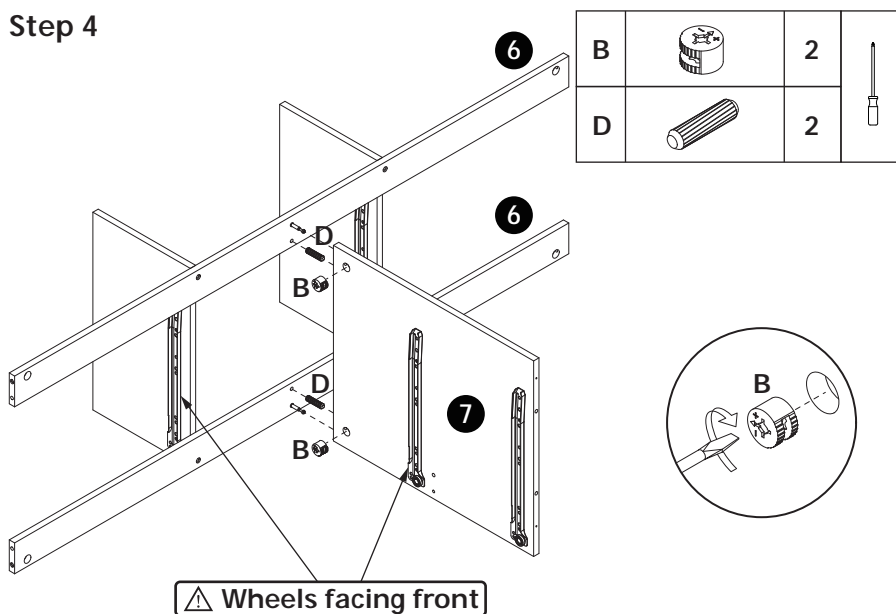


# ASSEMBLY INSTRUCTIONS

## Step 3

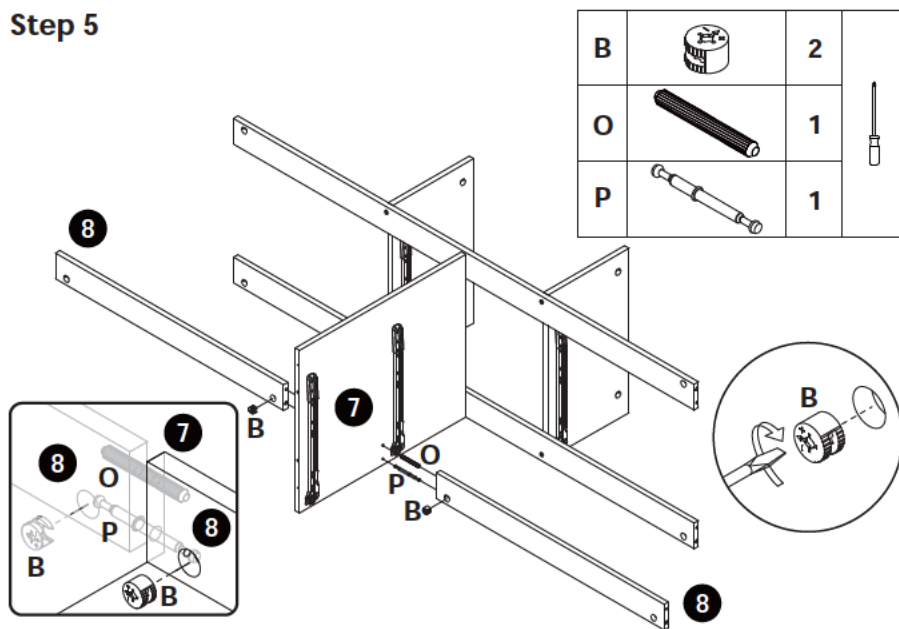


## Step 4

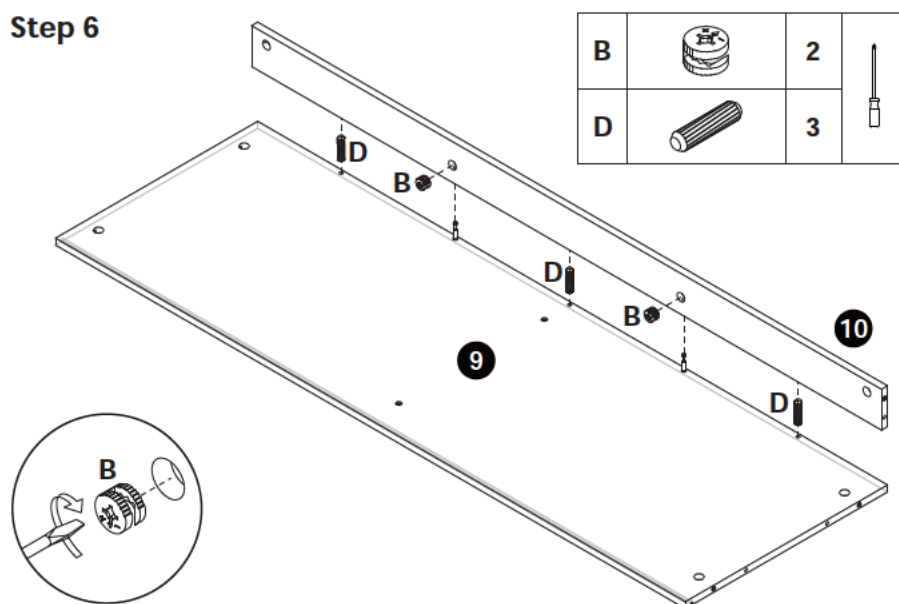


# ASSEMBLY INSTRUCTIONS

## Step 5



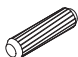


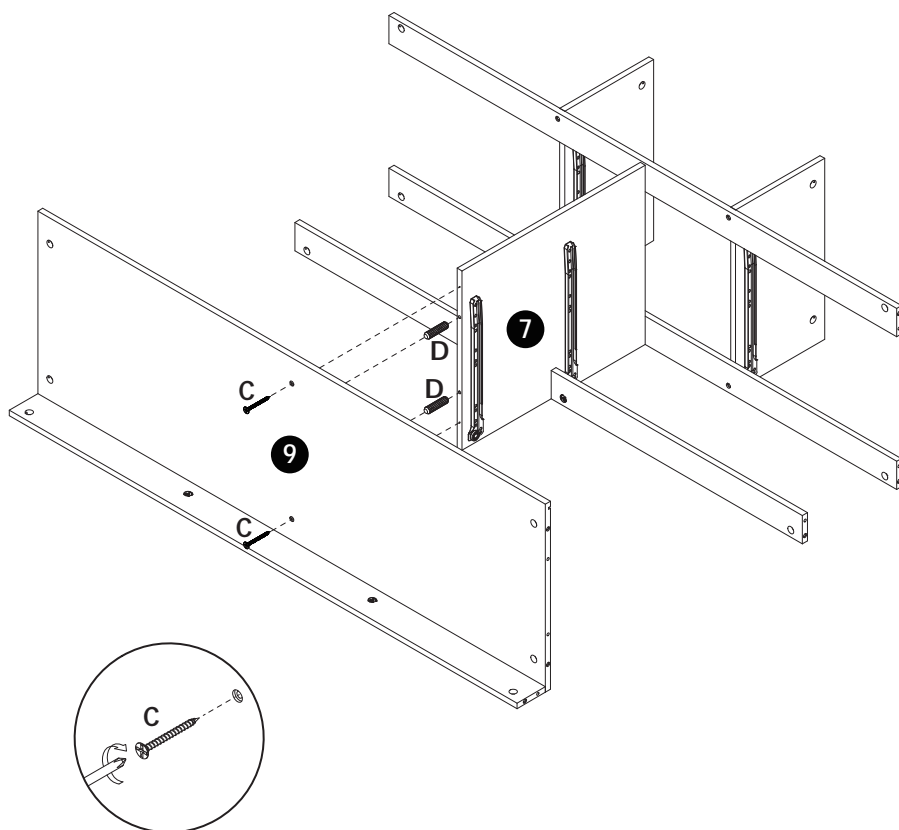
## Step 6



# ASSEMBLY INSTRUCTIONS




## Step 7

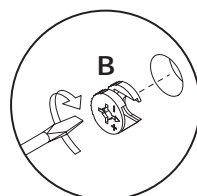
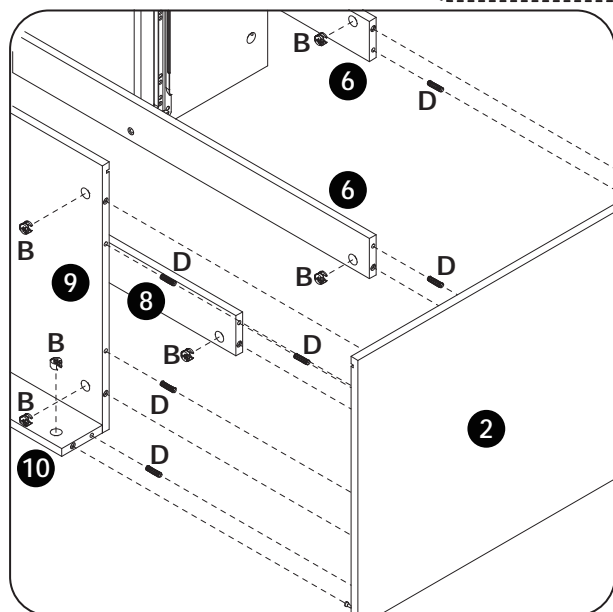
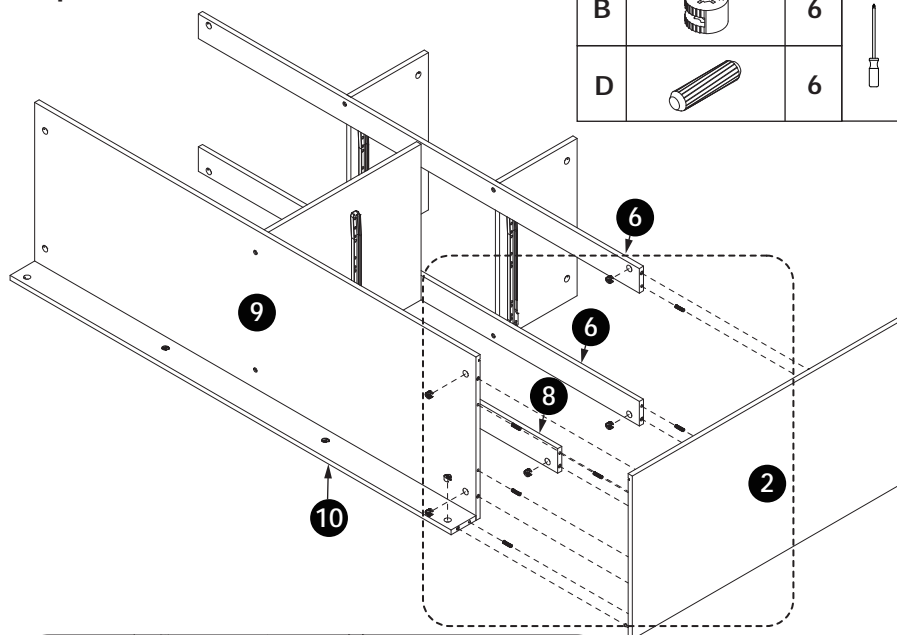
C		2	
D		2	



# ASSEMBLY INSTRUCTIONS

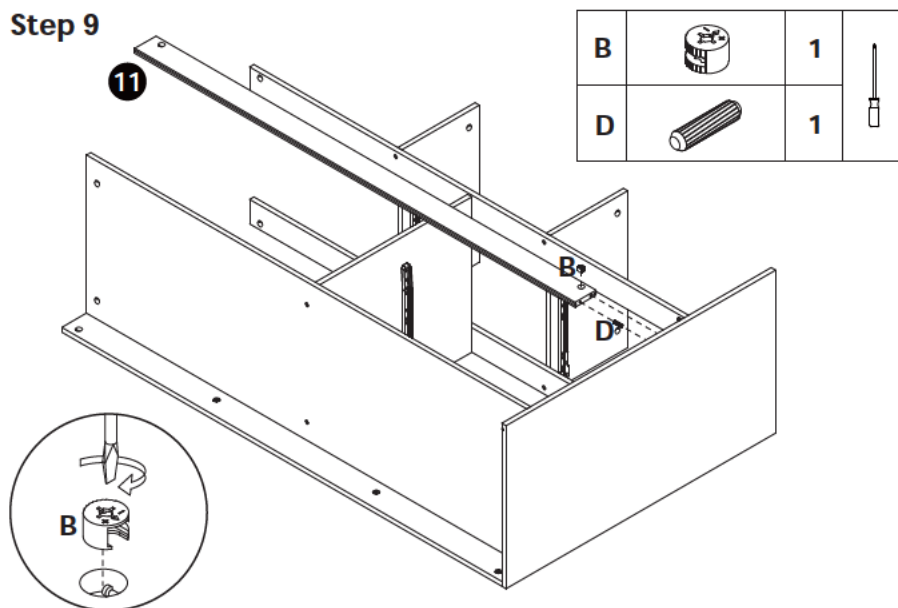
Step 8

B		6	
D		6	

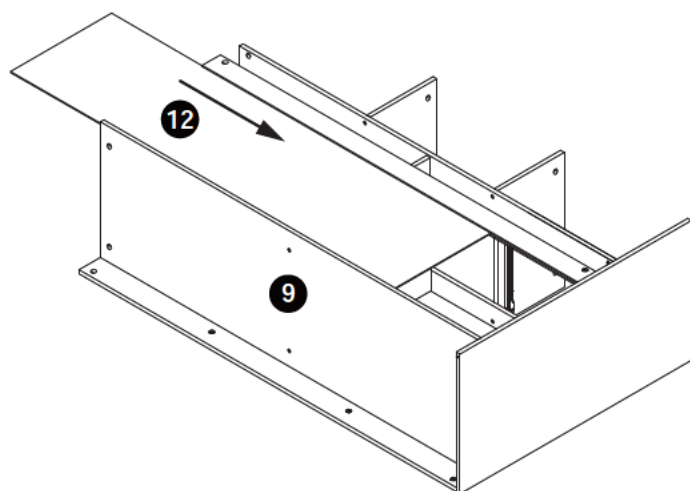


# ASSEMBLY INSTRUCTIONS

## Step 9



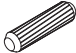


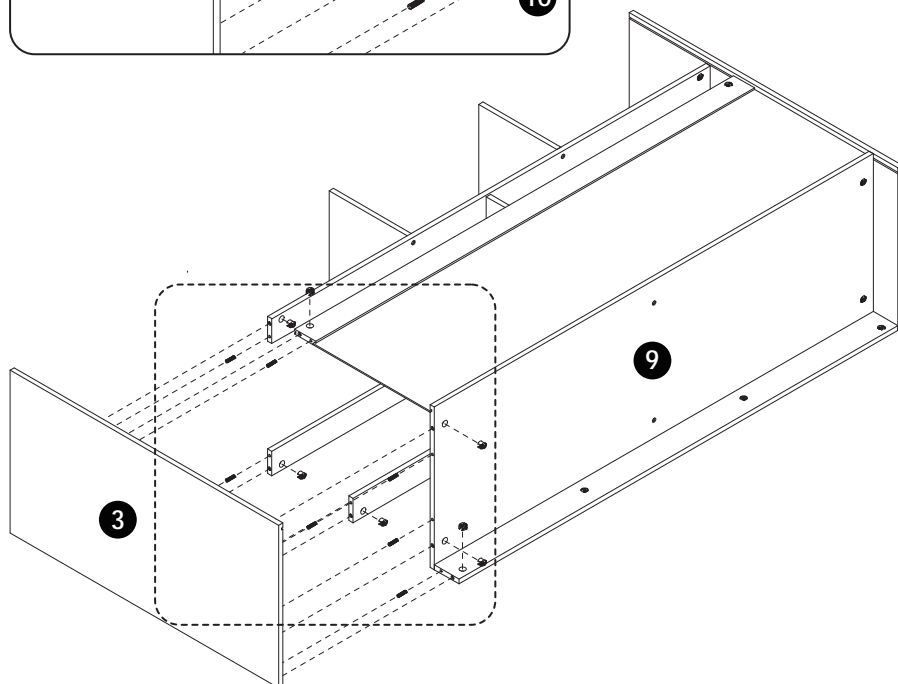
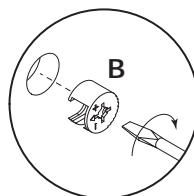
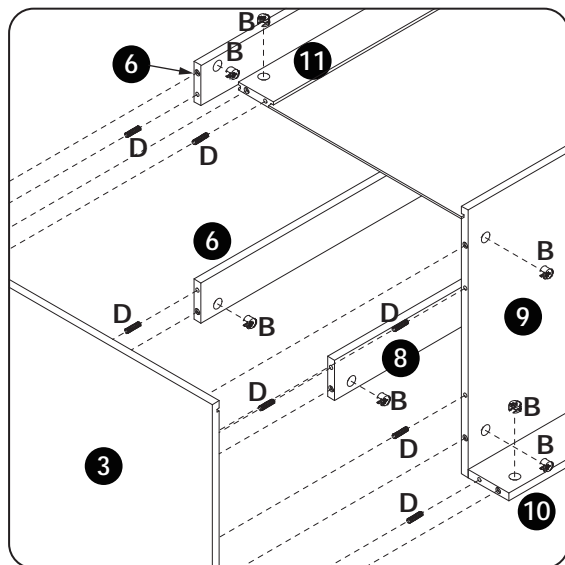
## Step 10



# ASSEMBLY INSTRUCTIONS

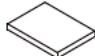
## Step 11

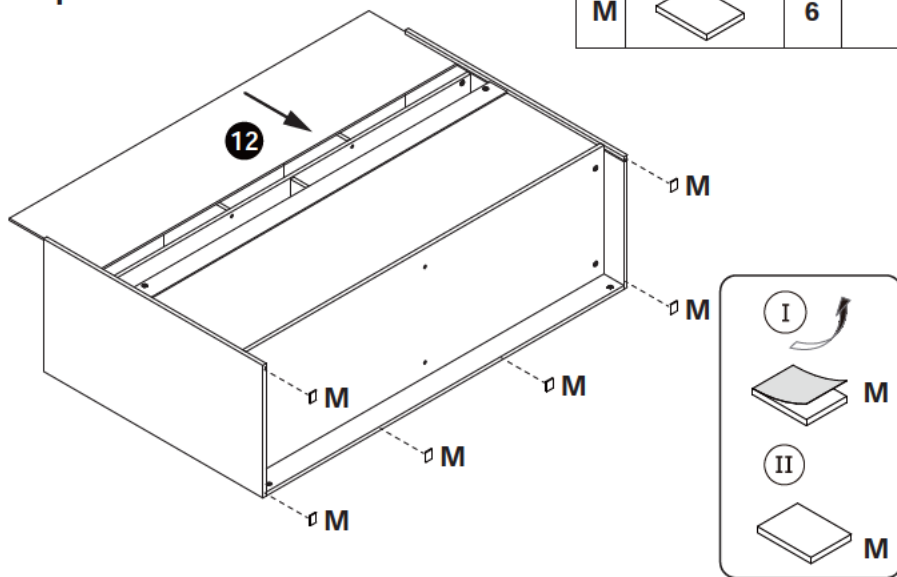
B		7	
D		7	






# ASSEMBLY INSTRUCTIONS

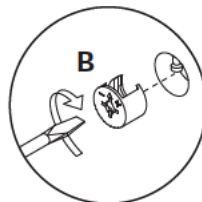
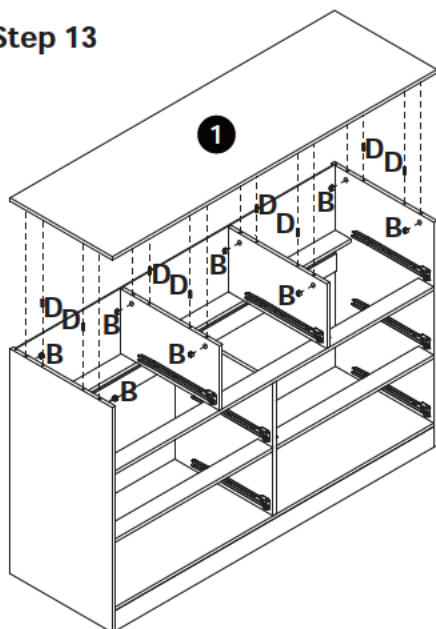
## Step 12

M		6	
---	---	---	--



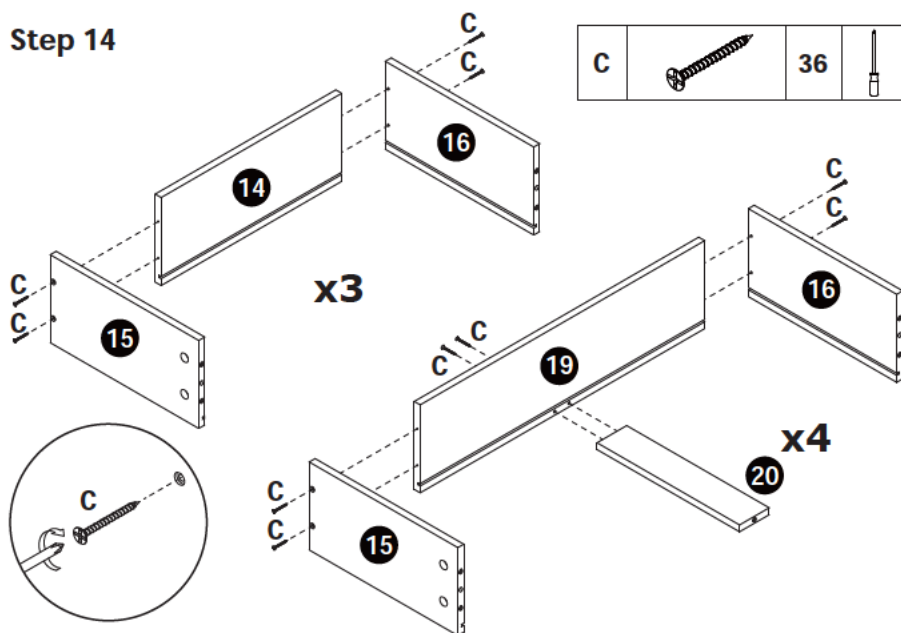
## Step 13

B		8	
D		8	

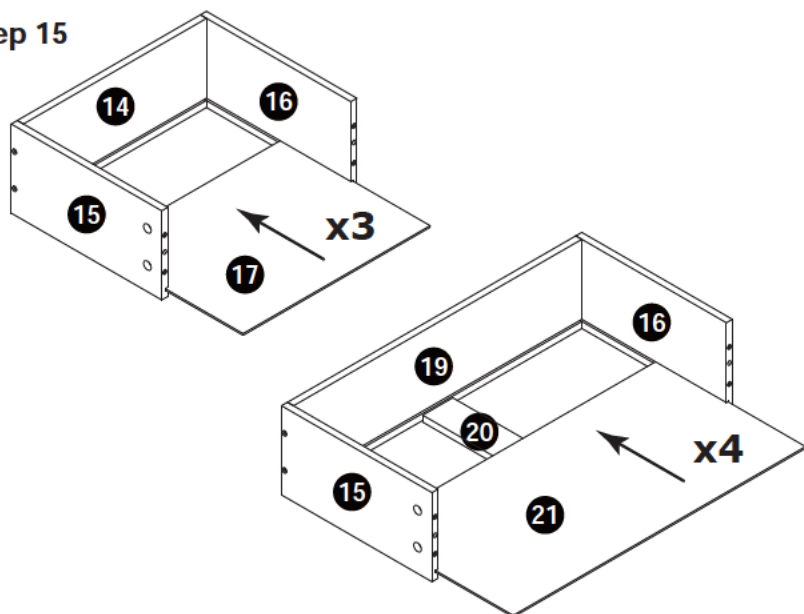


# ASSEMBLY INSTRUCTIONS

## Step 14

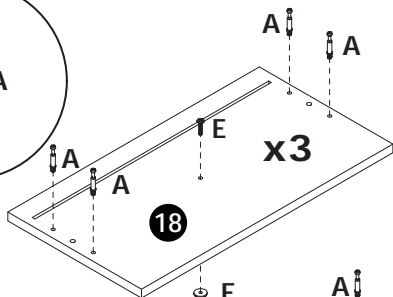
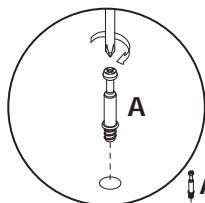


## Step 15

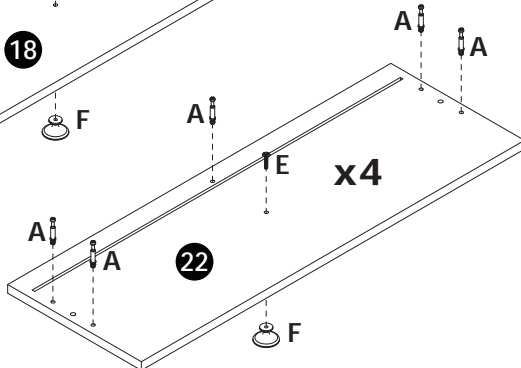
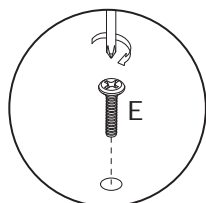


# ASSEMBLY INSTRUCTIONS

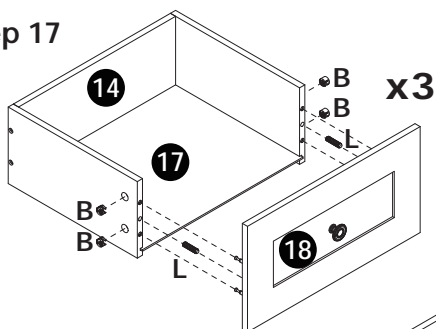
## Step 16



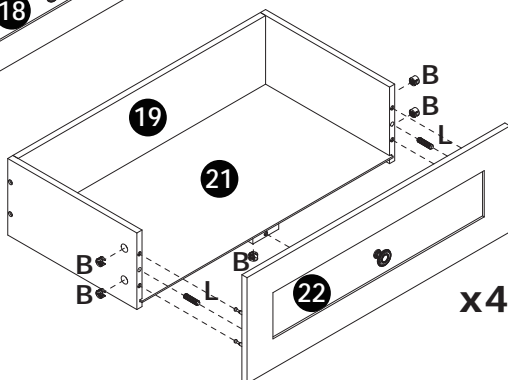
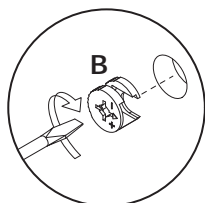
A		32	
E		7	
F		7	



## Step 17

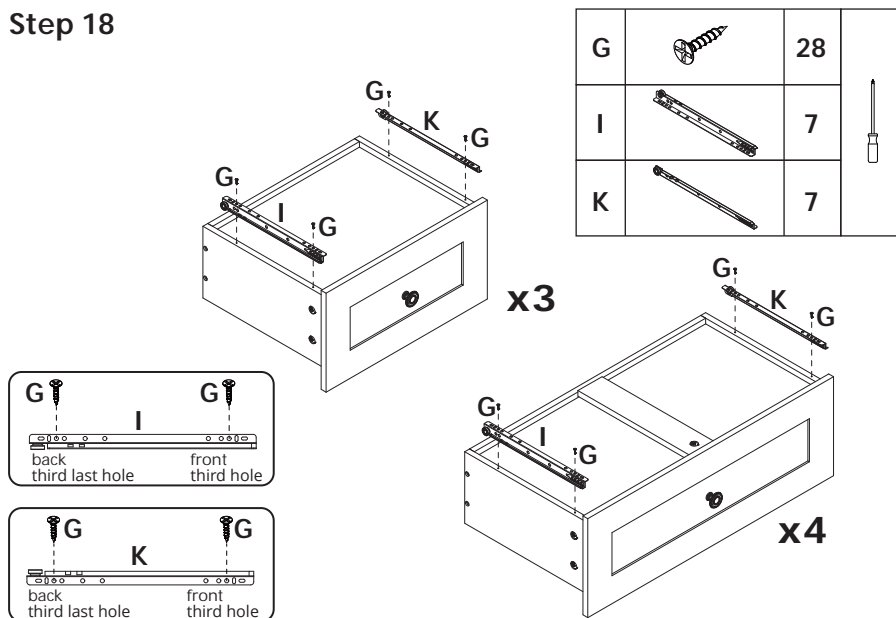


B		32	
L		14	

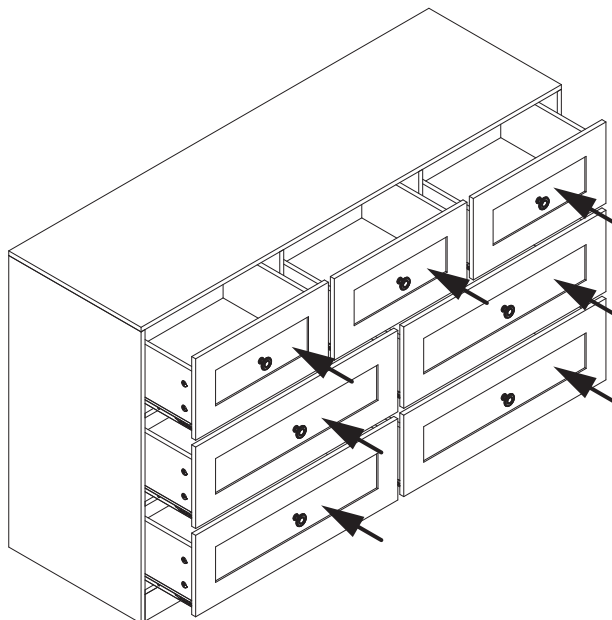


# ASSEMBLY INSTRUCTIONS

## Step 18

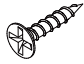




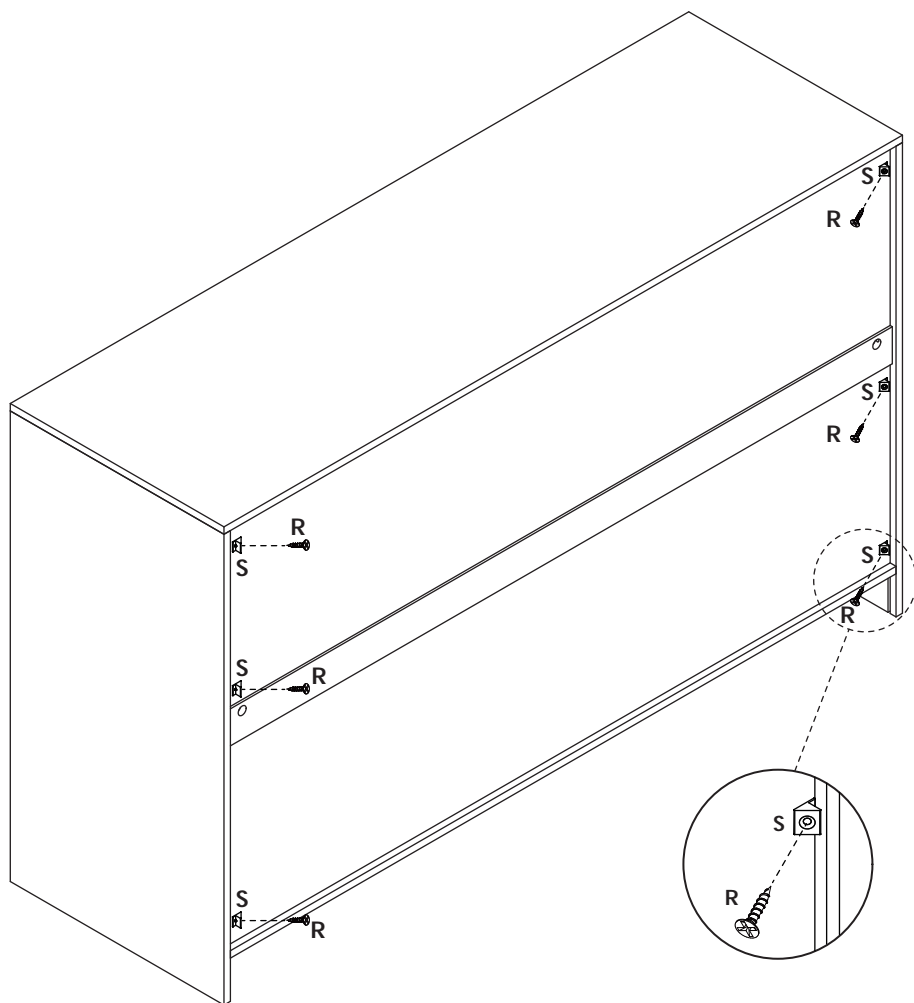
## Step 19



# ASSEMBLY INSTRUCTIONS

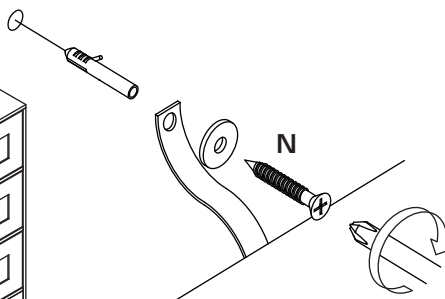
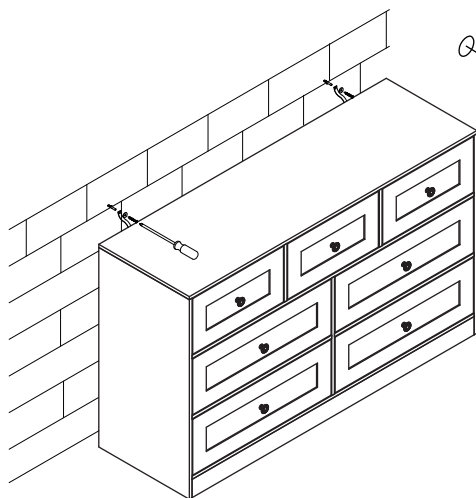
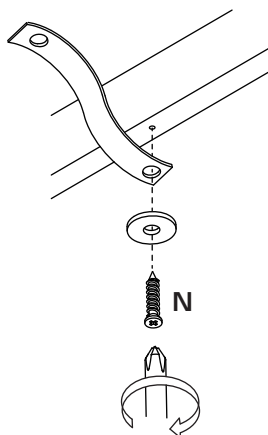
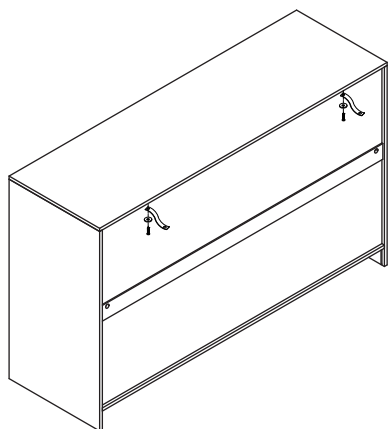
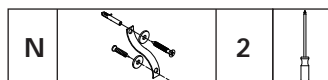
Step 20

R		6	
S		6	



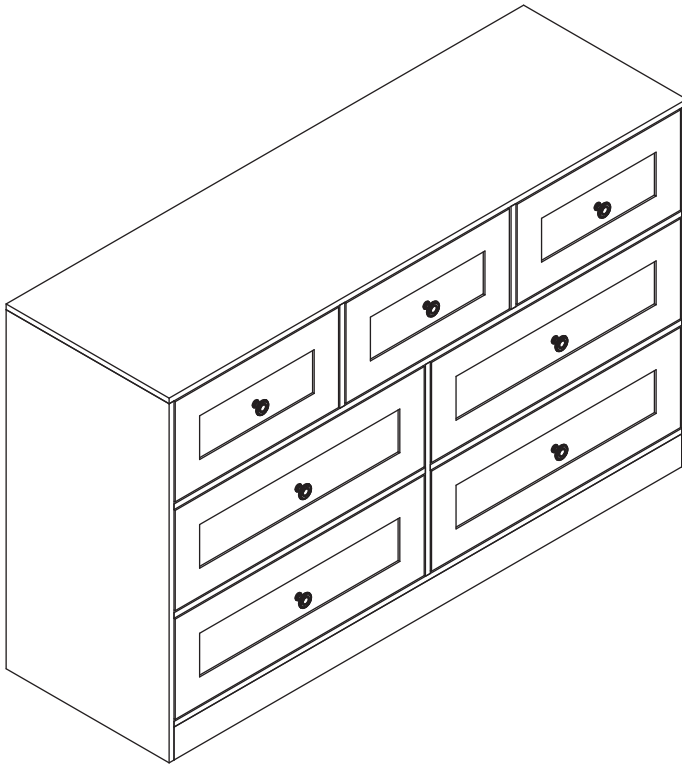
# ASSEMBLY INSTRUCTIONS

Step 21



# ASSEMBLY INSTRUCTIONS

---



Congratulations! Now you have finished assembling the product.

## **IF YOU FIND A DEFECTIVE PART**

---

We fully stock all parts and components. Any defective part can be quickly replaced. Take note of the defective part number in manual and we will arrange a quick replacement.

