

ASSEMBLY INSTRUCTIONS



Fine Furniture for every stage of life

L-SHAPE DESK

ASSEMBLY INSTRUCTIONS

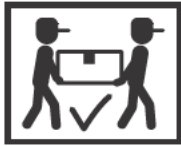
ASSEMBLY TIPS:

1. Remove hardware from box and sort by size.
2. Please check to see that all hardware and parts are present prior to start of assembly.
3. Please follow attached instructions in the same sequence as numbered to assure fast & easy assembly.



WARNING!

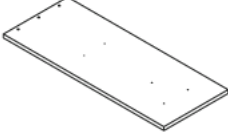
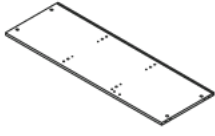
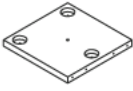
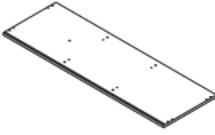
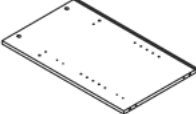
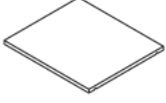
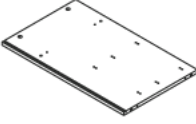
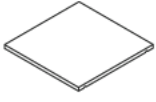
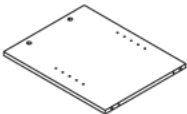
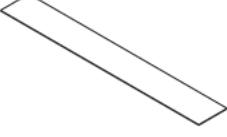
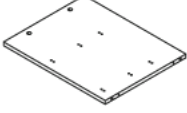
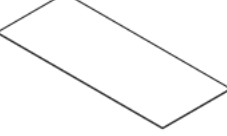
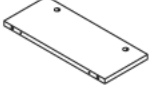
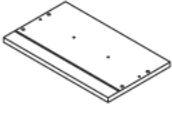
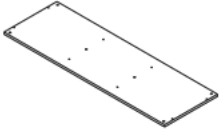
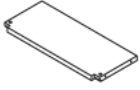
1. Don't attempt to repair or modify parts that are broken or defective. Please contact the store immediately.
2. This product is for home use only and not intended for commercial establishments.



ASSEMBLY TIME

80 MINUTES

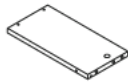
PARTS IDENTIFICATION

A	LARGE TOP PANEL		1 PC	I	CROSS PANEL		1 PC
B	LARGE TOP PANEL PARTITION BOARDS		1 PC	J	TOP PANEL		1 PC
C	LEFT SIDE PANEL		1 PC	K	LARGE ADJUSTABLE SHELF		1 PC
D	RIGHT SIDE PANEL		1 PC	L	SMALL ADJUSTABLE SHELF		1 PC
E	LEFT DIVIDER PANEL		1 PC	M	UPPER BACK PANEL		1 PC
F	RIGHT DIVIDER PANEL		1 PC	N	LOWER BACK PANEL		1 PC
G	UPPER DIVIDER PANEL		2 PCS	O	DRAWER FRONT PANEL		2 PCS
H	BOTTOM PANEL		1 PC	P	DRAWER BACK PANEL		2 PCS

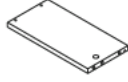
NOTE:

Phillips head screw driver is required in the assembly process; however, manufacturer does not provide this item.

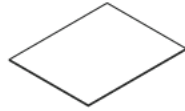
Q LEFT DRAWER SIDE PANEL 2 PCS



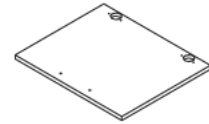
R RIGHT DRAWER SIDE PANEL 2 PCS



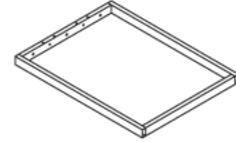
S DRAWER BOTTOM PANEL 2 PCS



T DOOR 1 PC



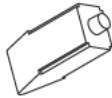

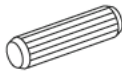
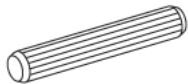
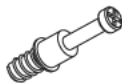


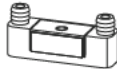

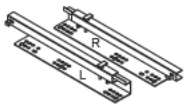
U METAL FRAME 1 PC



V CROSSBAR 2 PCS



HARDWARE IDENTIFICATION

Z NO	DESCRIPTION	FIGURE	Q'TY	Z NO	DESCRIPTION	FIGURE	Q'TY
1	GLUE 40g		1 PC	6	SCREW Ø4.3x35mm SR		11 PCS
2	WOODEN DOWEL Ø8x30mm		28 PCS	7	WOODEN DOWEL Ø8x50mm		4 PCS
3	CAM BOLT Ø7x35.5mm SR		20 PCS	8	PIN FOR ADJUSTABLE SHELF Ø4.9x8mm SR		8 PCS
4	CAM LOCK Ø15x12mm SR		20 PCS	9	DOOR CATCH		1 PC
5	SCREW Ø4.5x42mm SR		12 PCS	10	GLIDES L=300mm SR		2 SET

NOTE:

Phillips head screw driver is required in the assembly process; however, manufacturer does not provide this item.

HARDWARE IDENTIFICATION

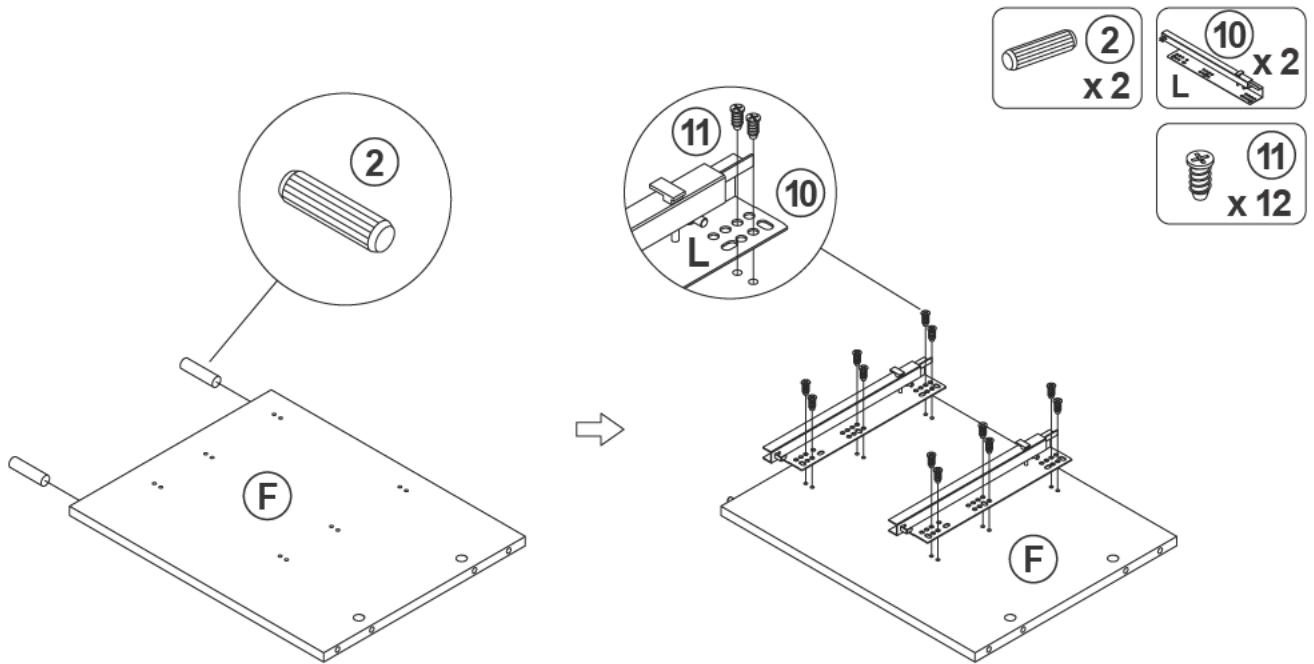
Z							
NO	DESCRIPTION	FIGURE	Q'TY	NO	DESCRIPTION	FIGURE	Q'TY
11	GLIDES BOLT Ø6x13mm SR		24 PCS	20	BOLT M6x58mm BLK		1 PC
12	FOOT Ø35xH19mm		6 PCS	21	BOLT M6x38mm BLK		3 PCS
13	HANDLE L=137.5mm		3 PCS	22	BOLT M6x15mm BLK		6 PCS
14	HANDLE BOLT Ø4x28mm BLK		6 PCS	23	ALLEN WRENCH 4mm SR		1 PC
15	HINGE Ø35mm SR		2 PCS	24	FLOOR PROTECTOR 40x20mm		2 PCS
16	HINGE SCREW Ø4x15mm SR		8 PCS	25	FIXER		3 PCS
17	PULLEY		3 PCS	26	FIXER SCREW Ø3x19mm SR		3 PCS
18	SCREW Ø5x23mm BLK		4 PCS	27	STICKER Ø 20mm		4 PCS
19	BEARING		1 PC	28	SCREW Ø 5x35mm BLK		2 PCS

Z10,Z12,Z13,Z15,Z17 not included in blister packaging.

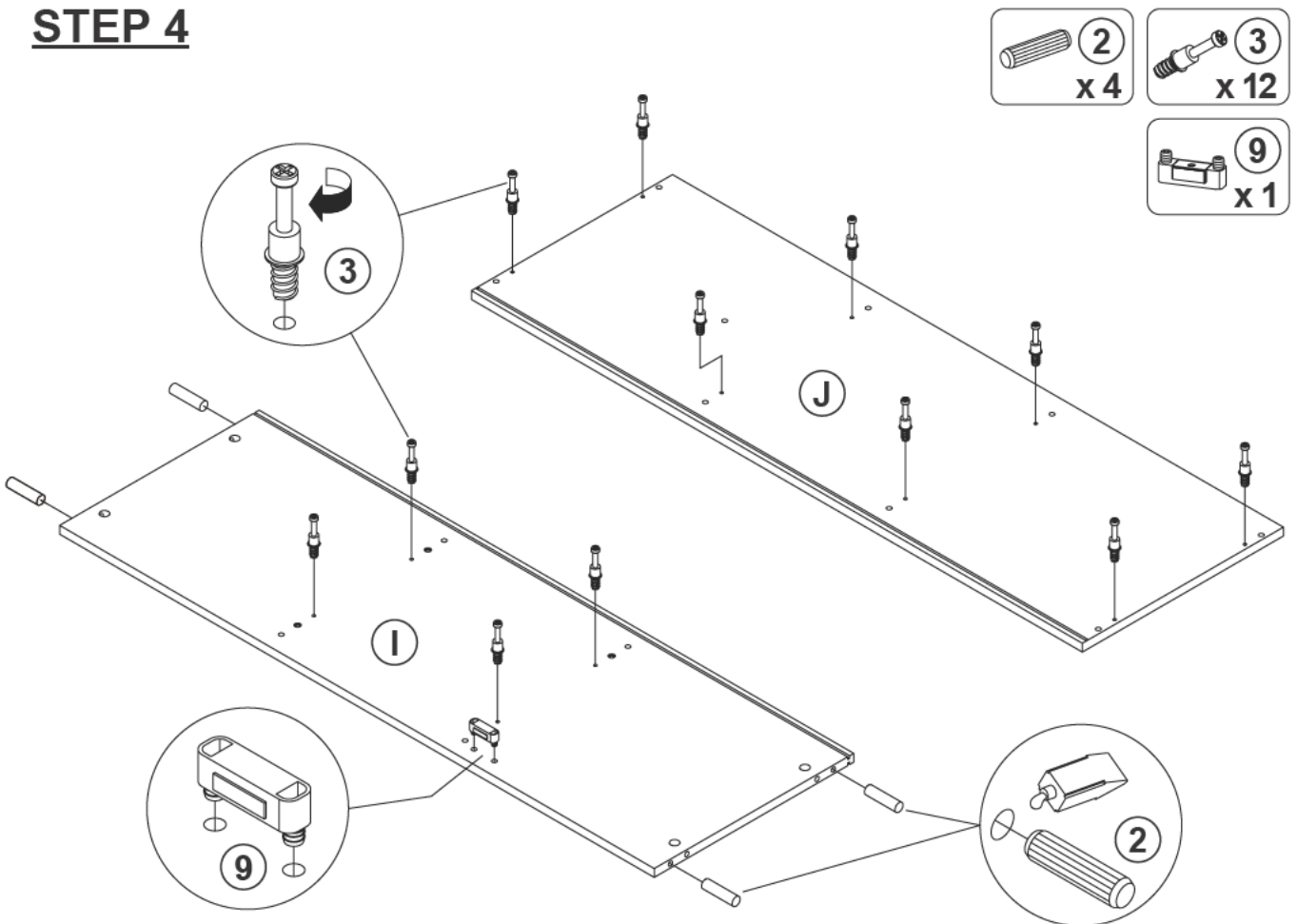
NOTE:

Phillips head screw driver is required in the assembly process; however, manufacturer does not provide this item.

STEP 3

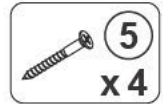
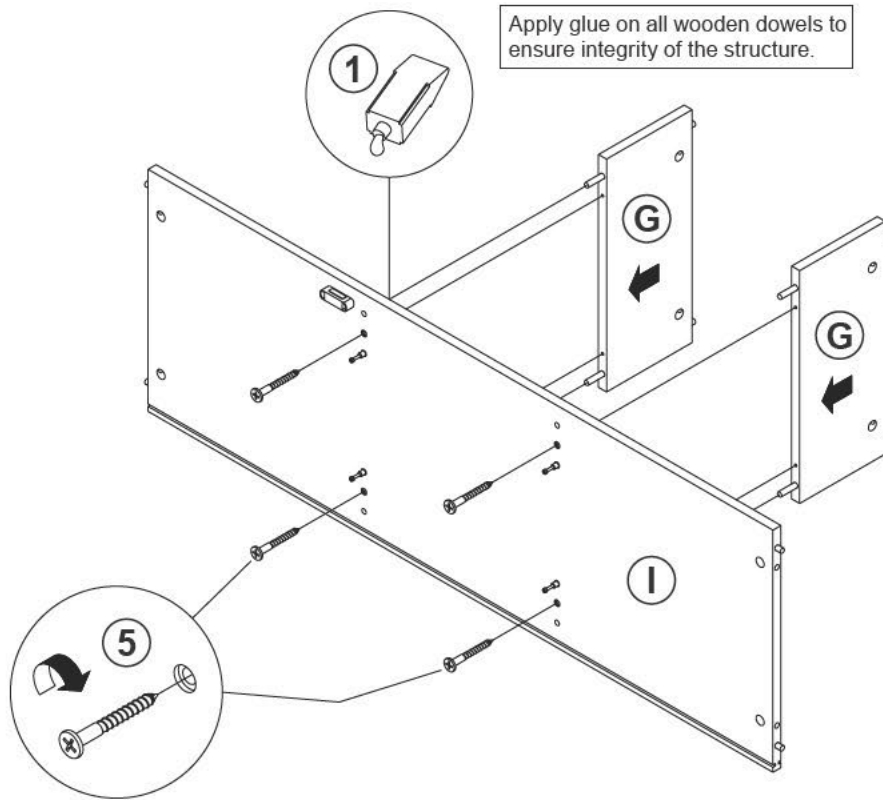


STEP 4

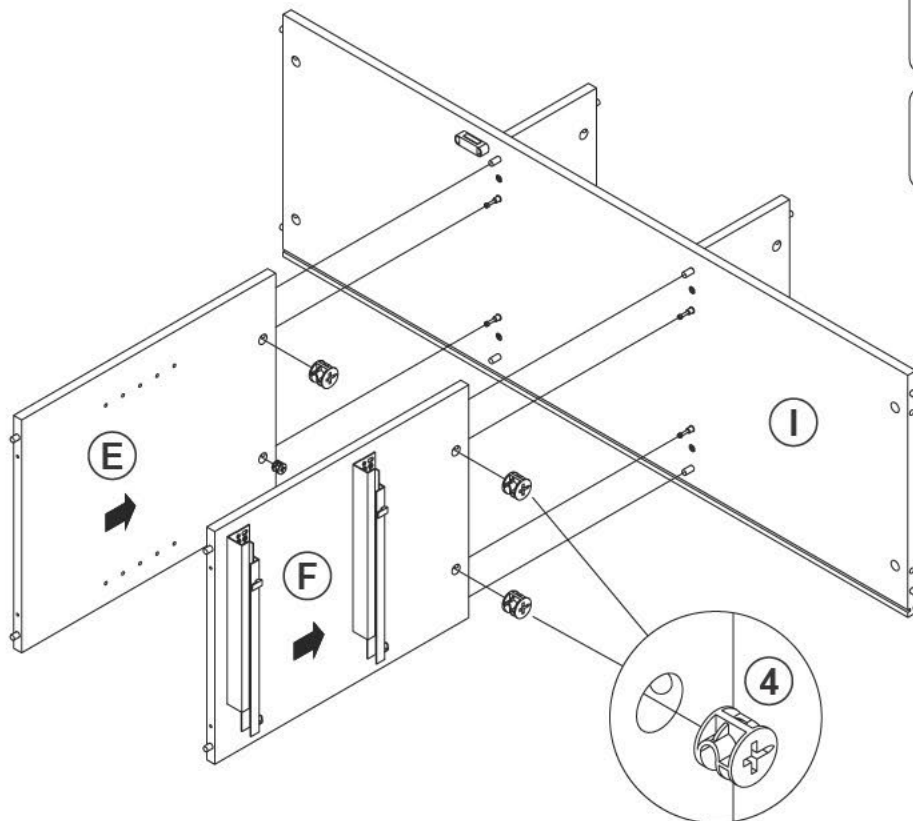
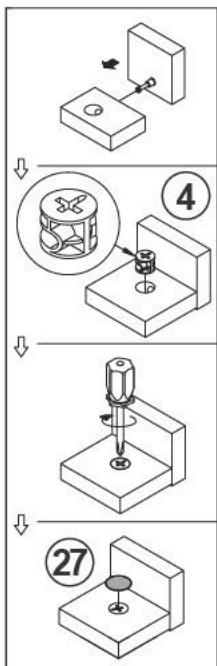


Apply glue on all wooden dowels to ensure integrity of the structure.

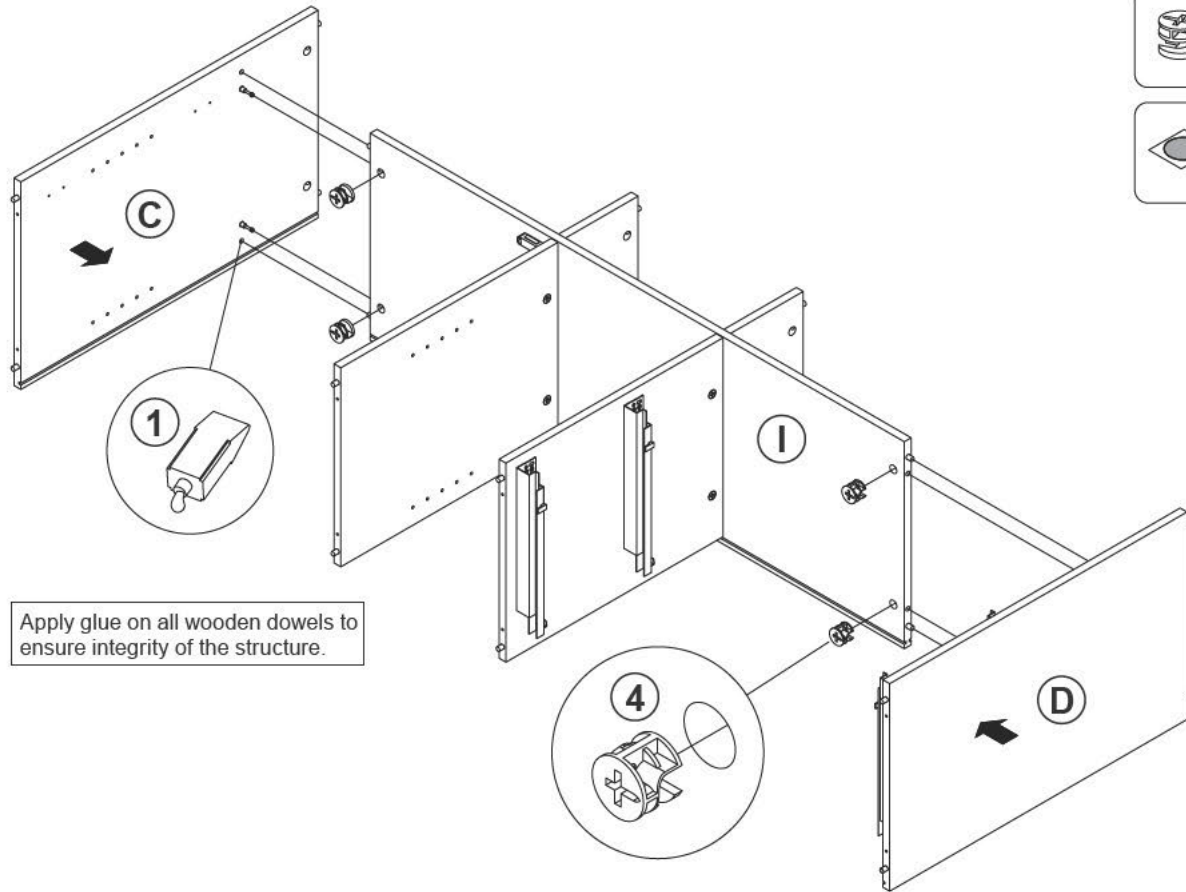
STEP 5



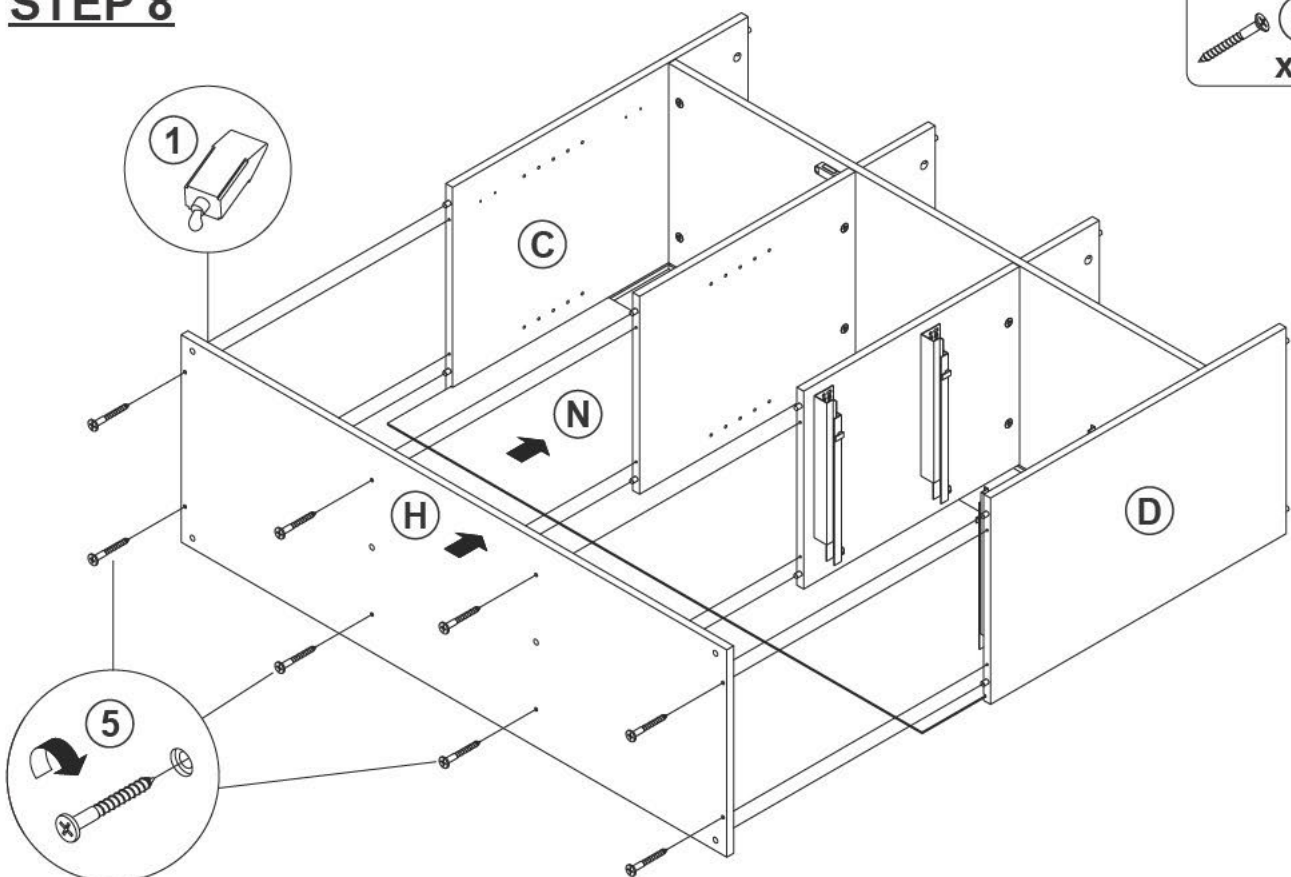
STEP 6



STEP 7

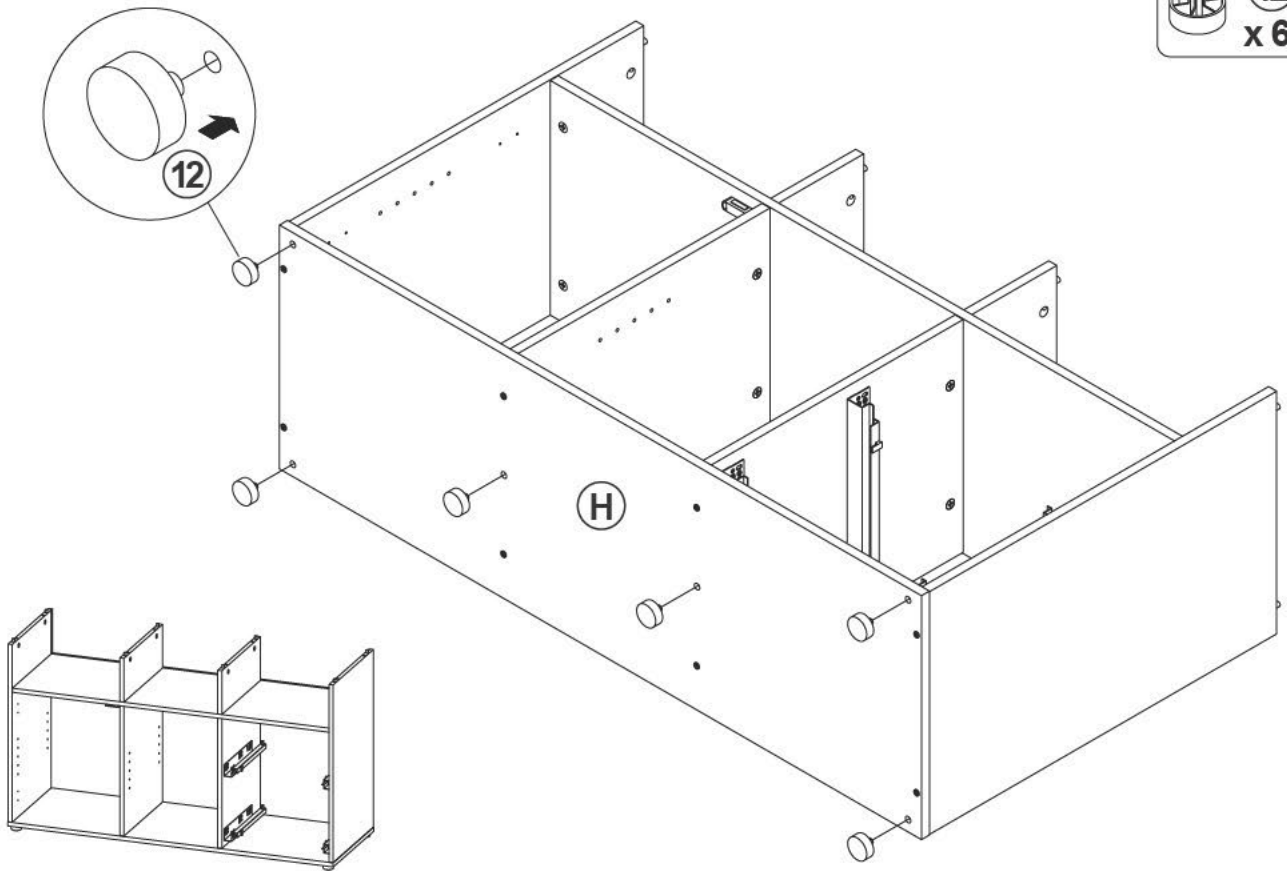


STEP 8




STEP 9

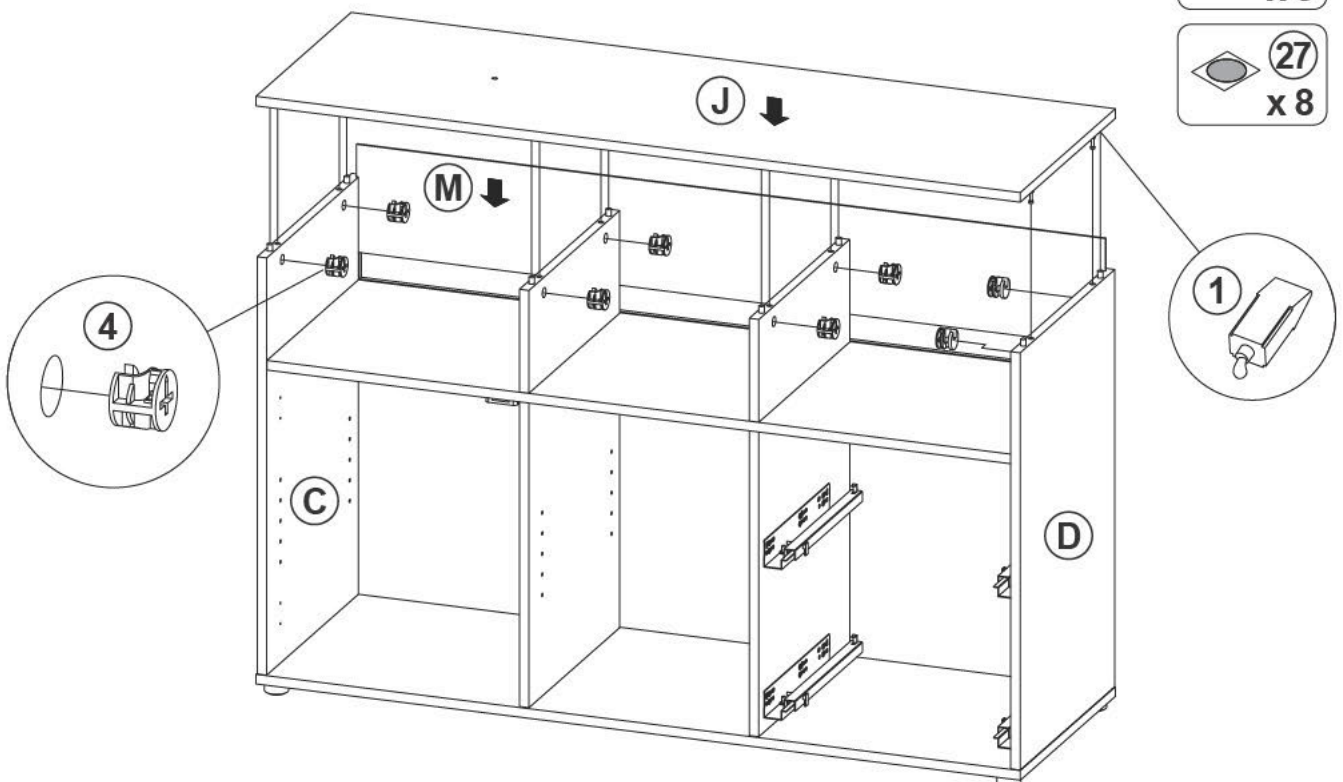
 **12**
x 6



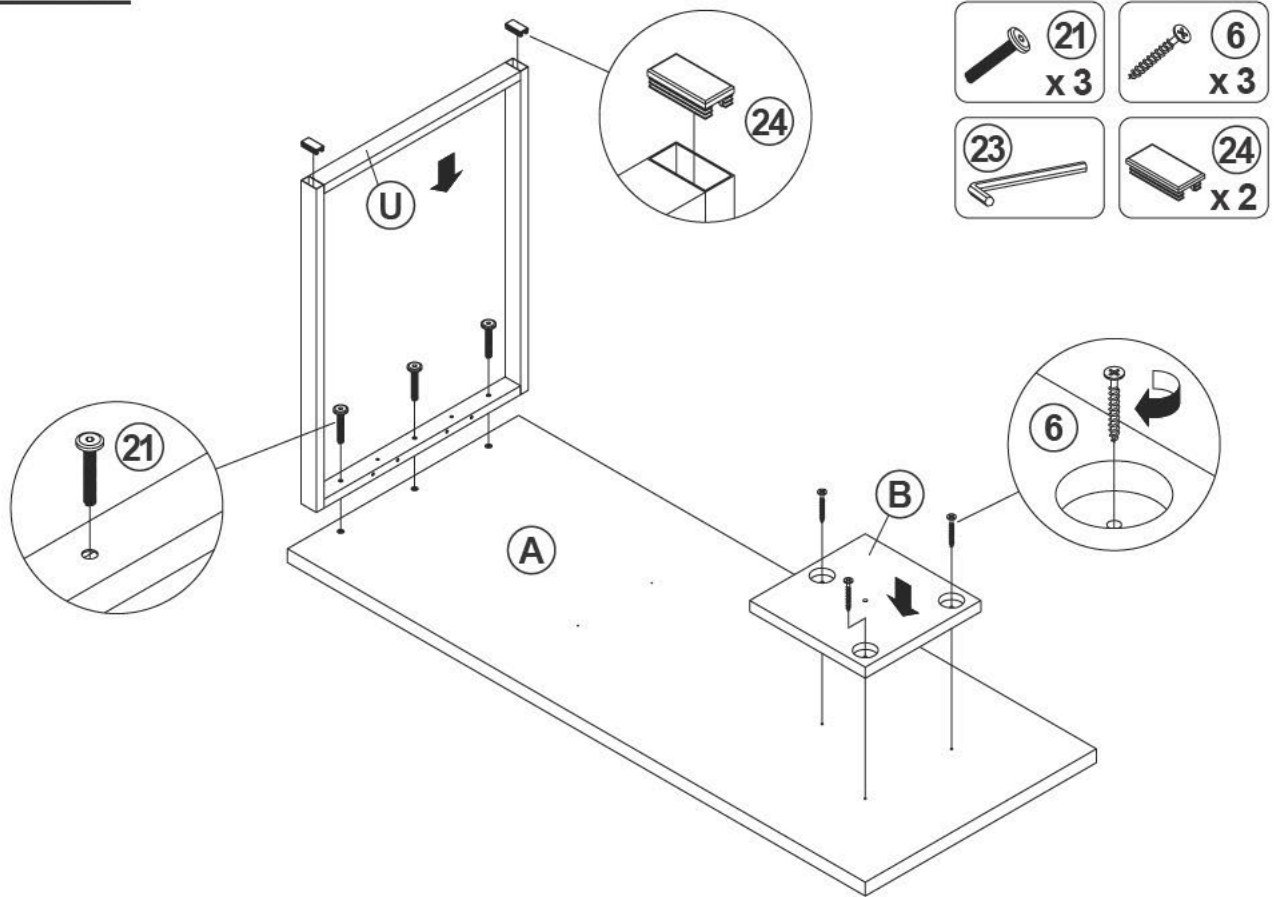
STEP 10

 **4**
x 8

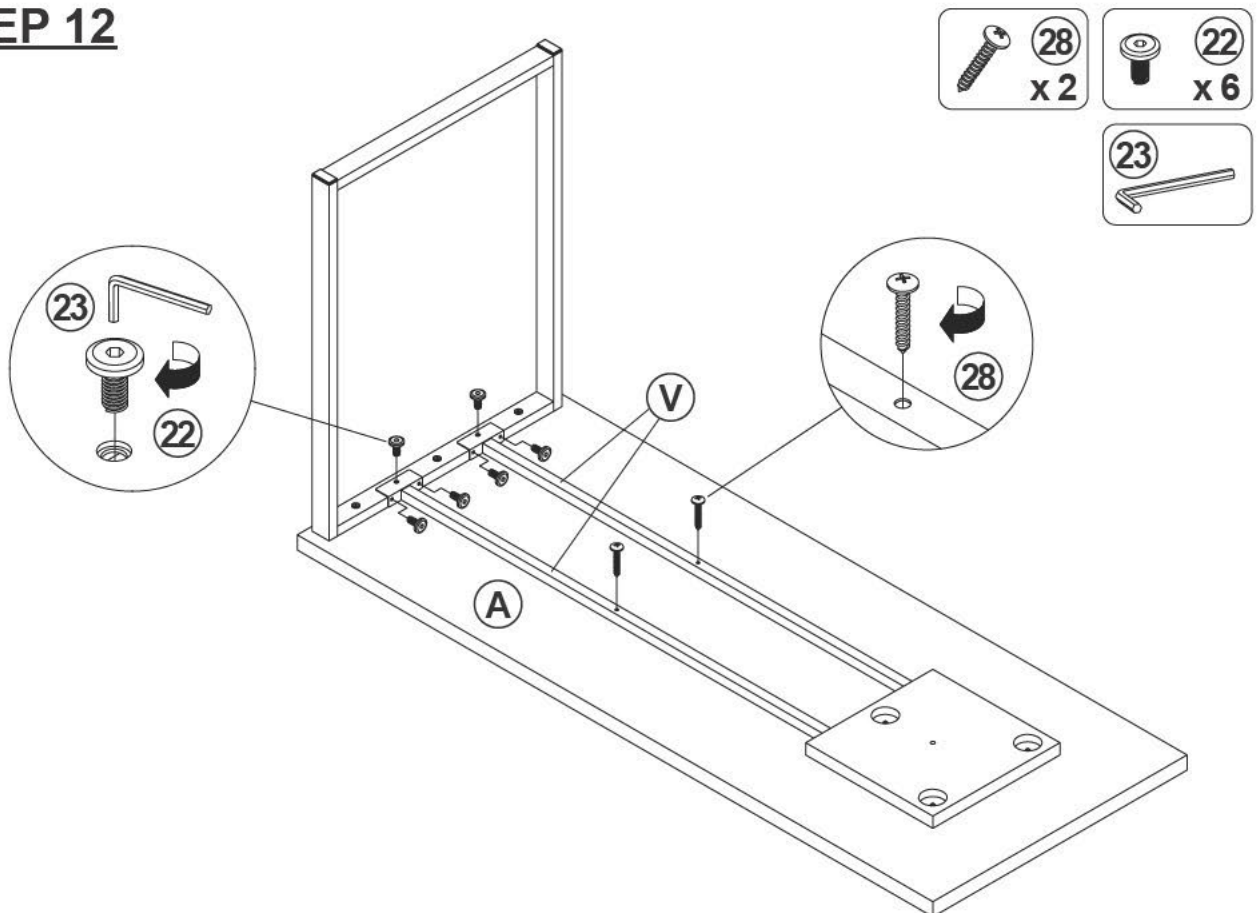
 **27**
x 8



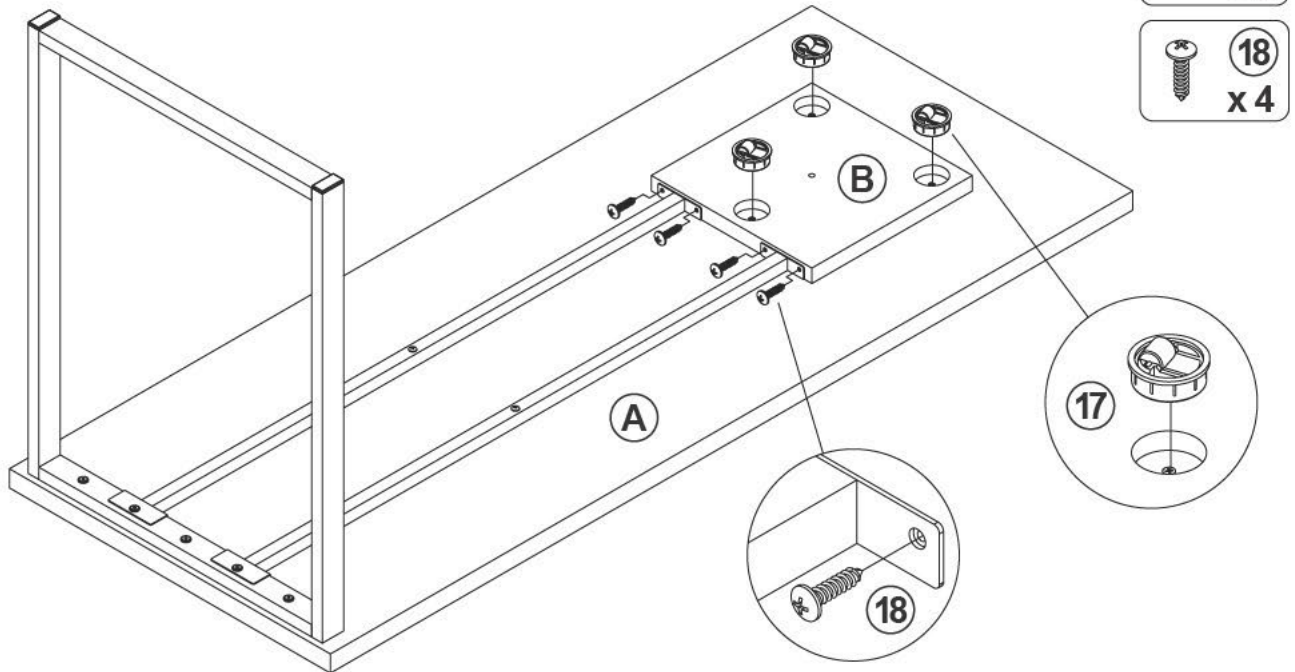
STEP 11



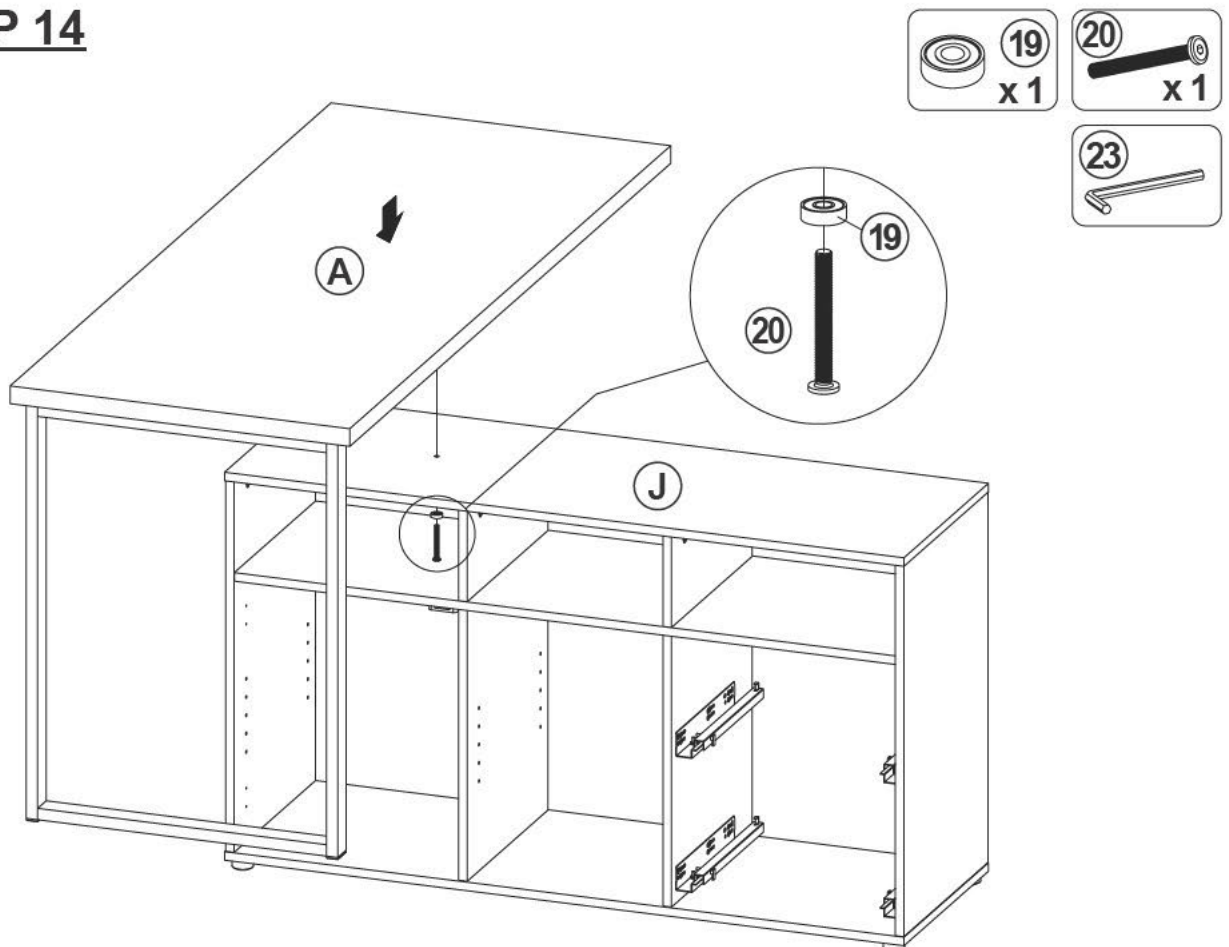
STEP 12



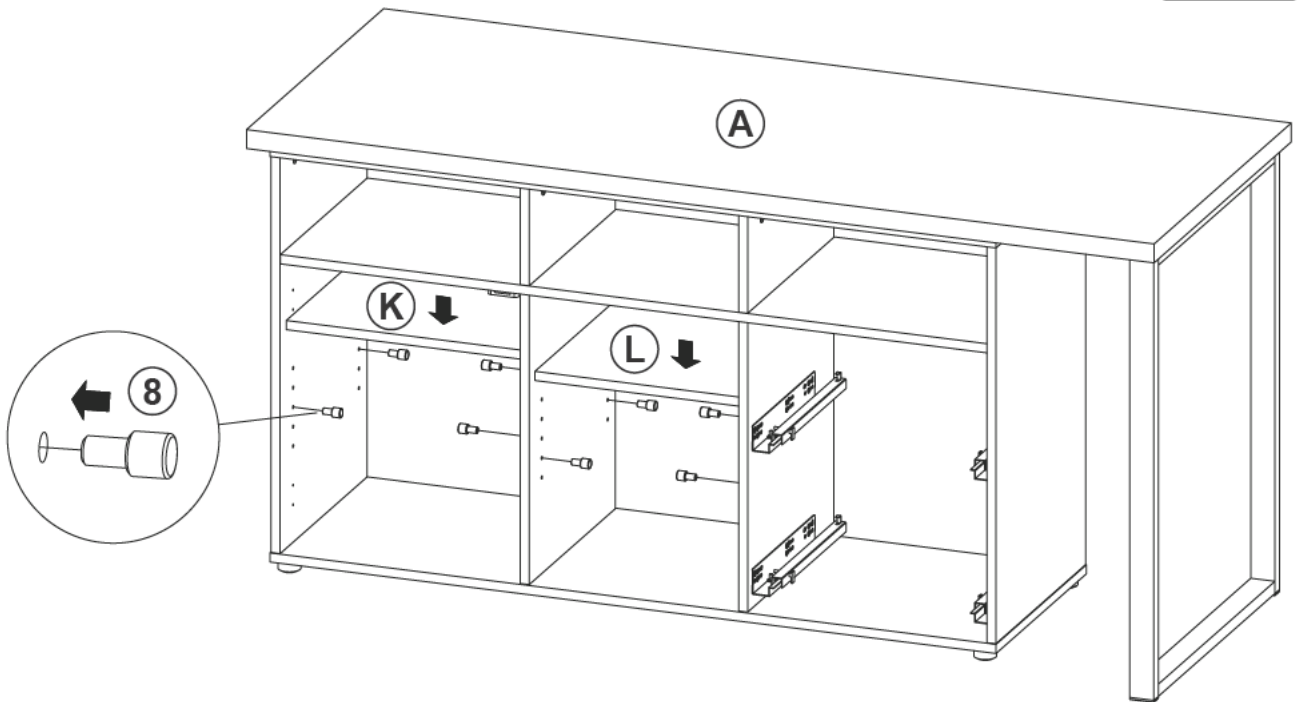
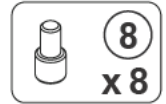
STEP 13



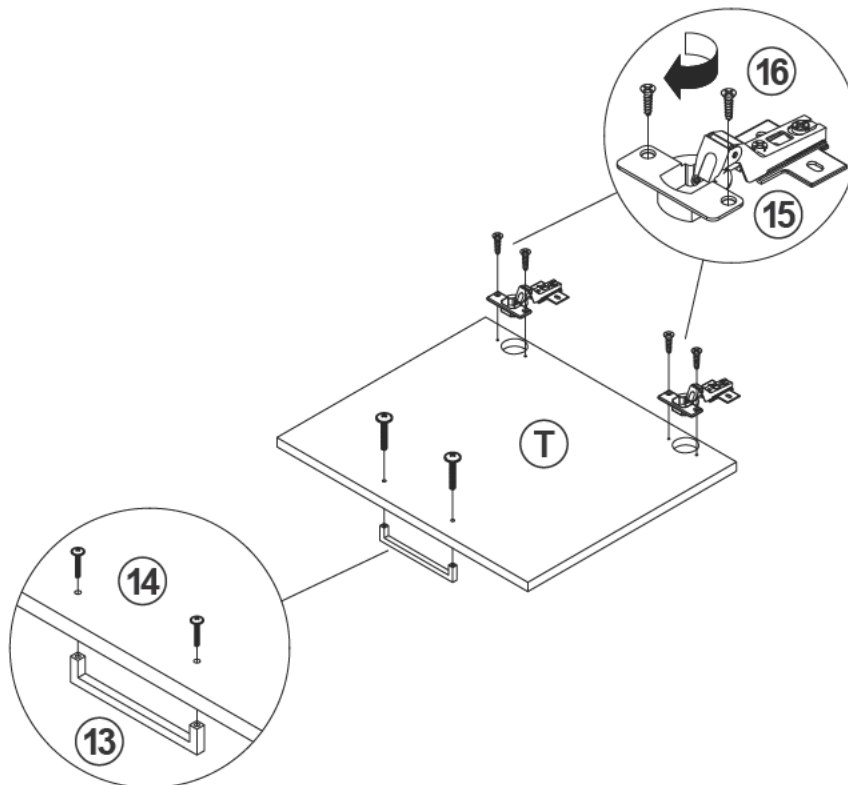
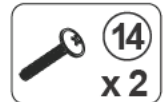
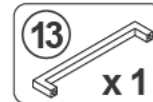
STEP 14



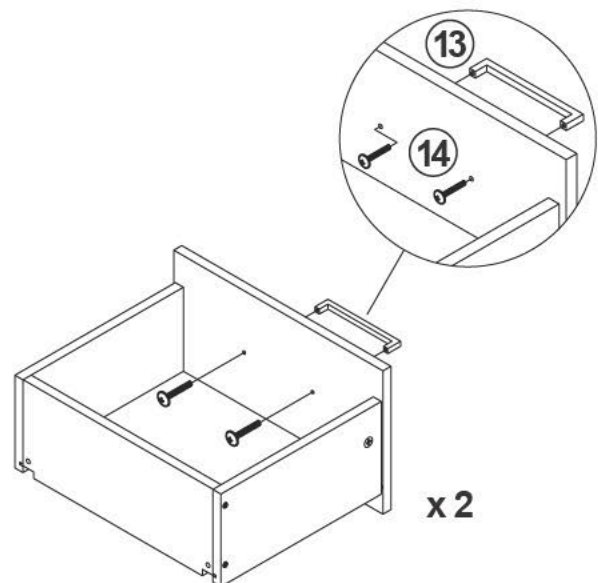
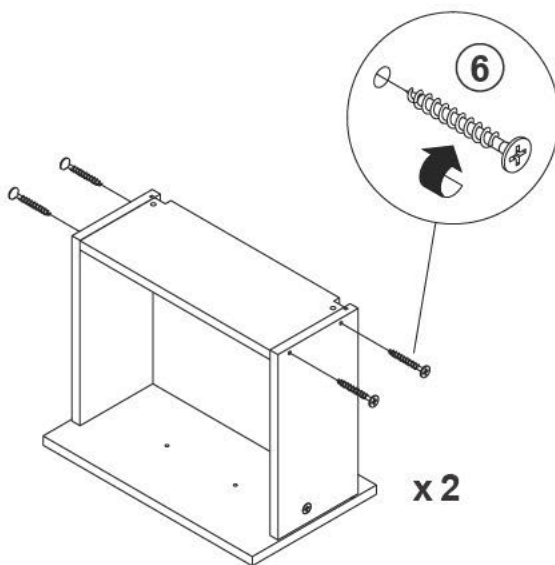
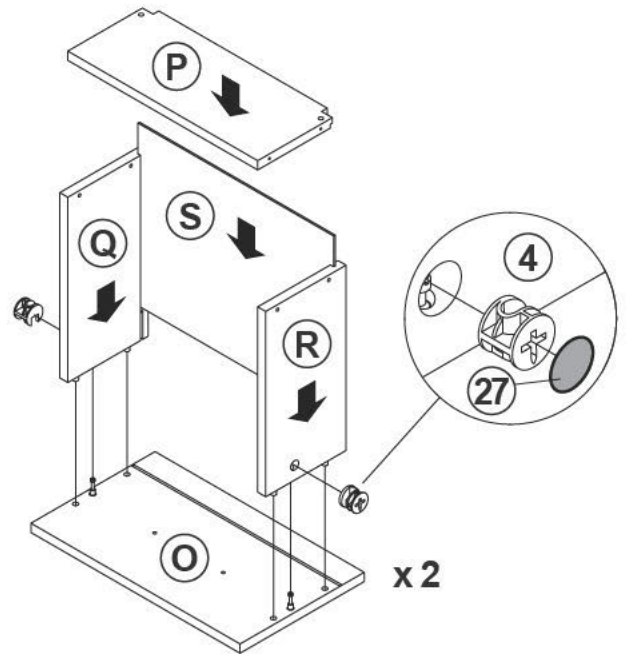
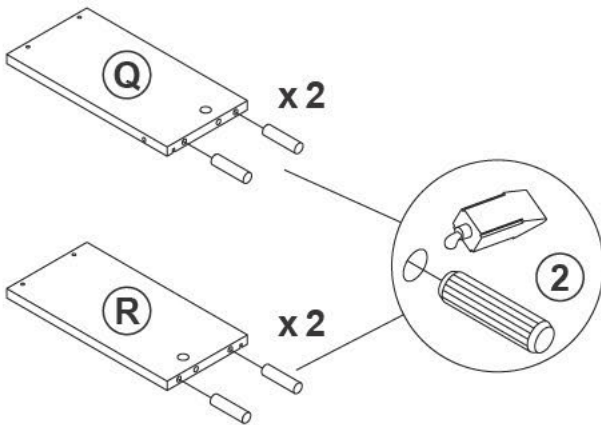
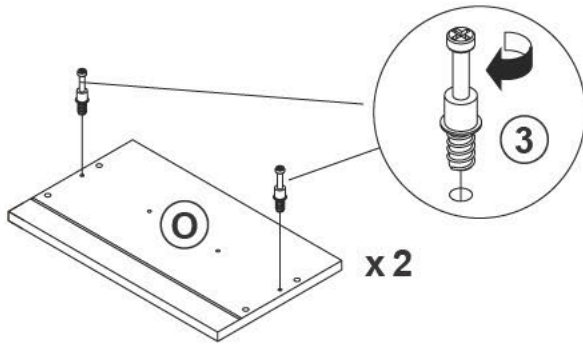
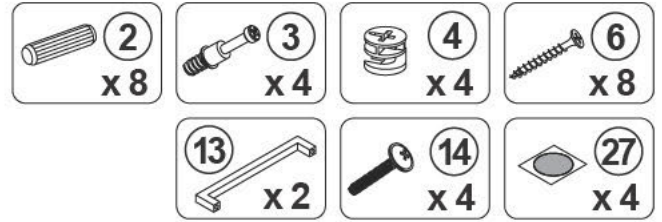
STEP 15



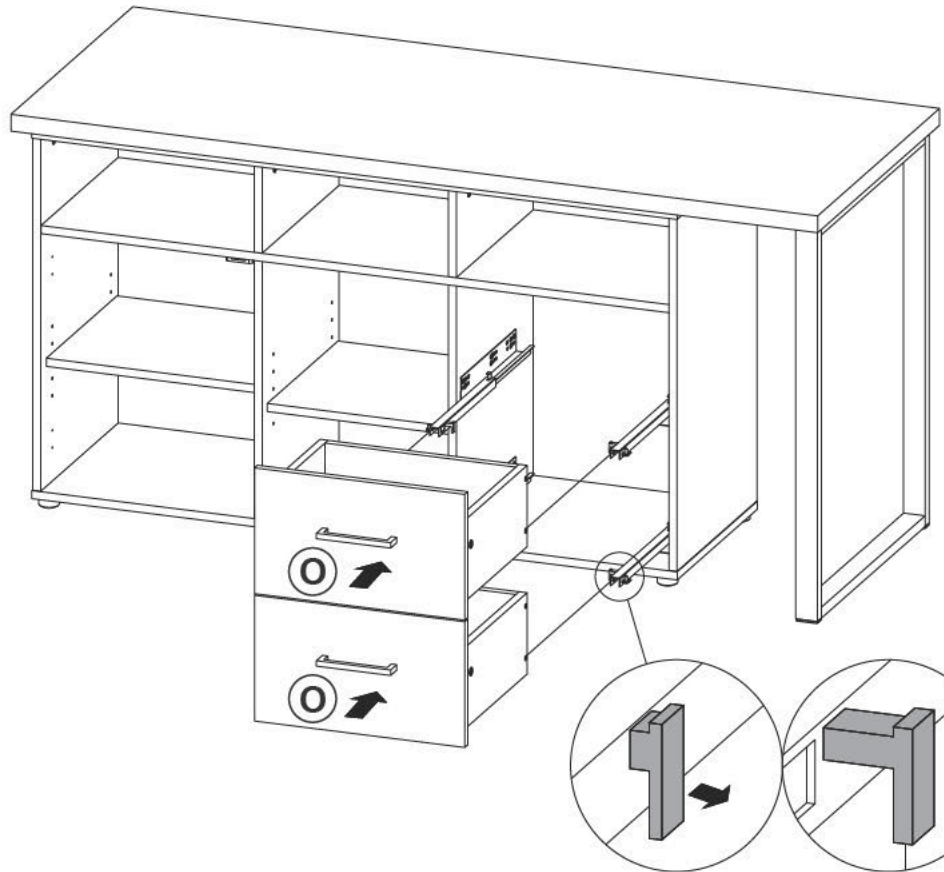
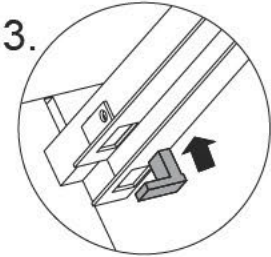
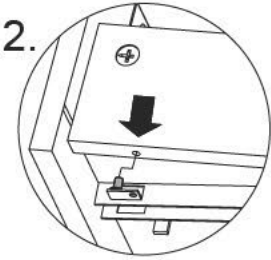
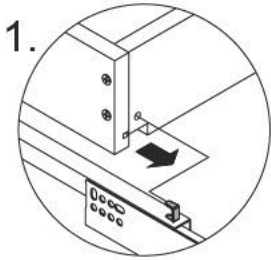
STEP 16



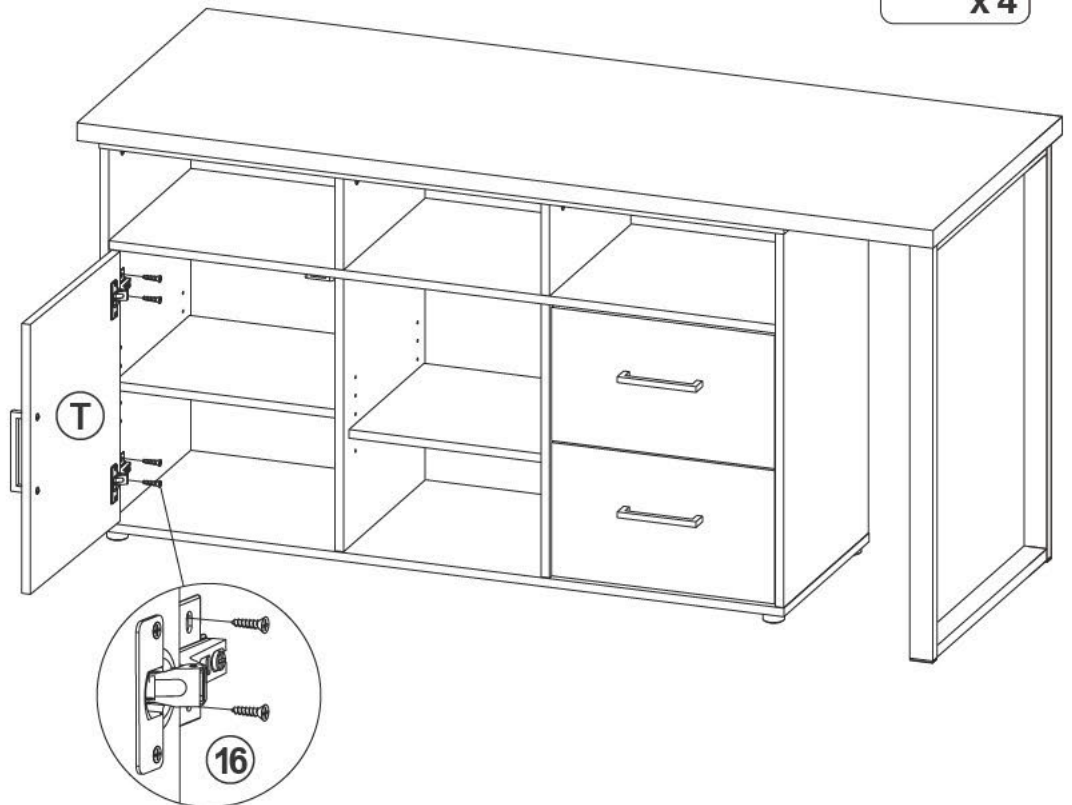
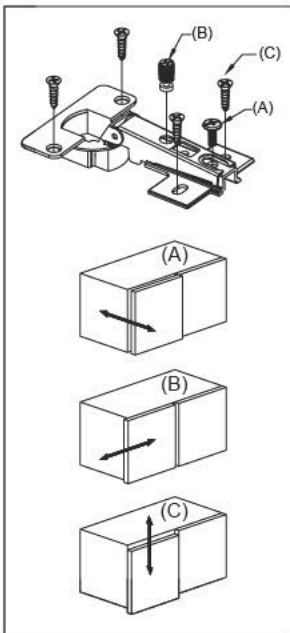
STEP 17



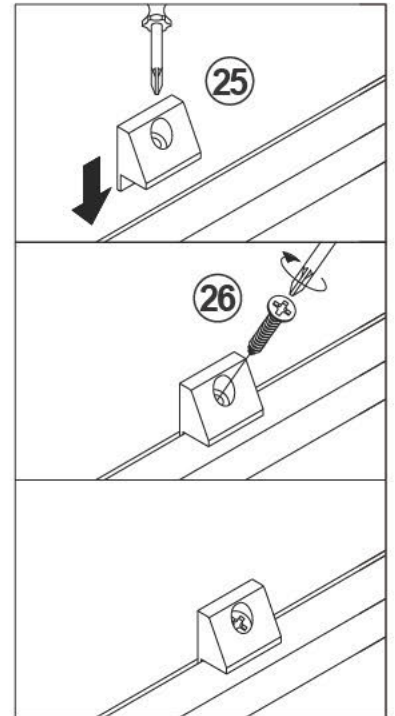
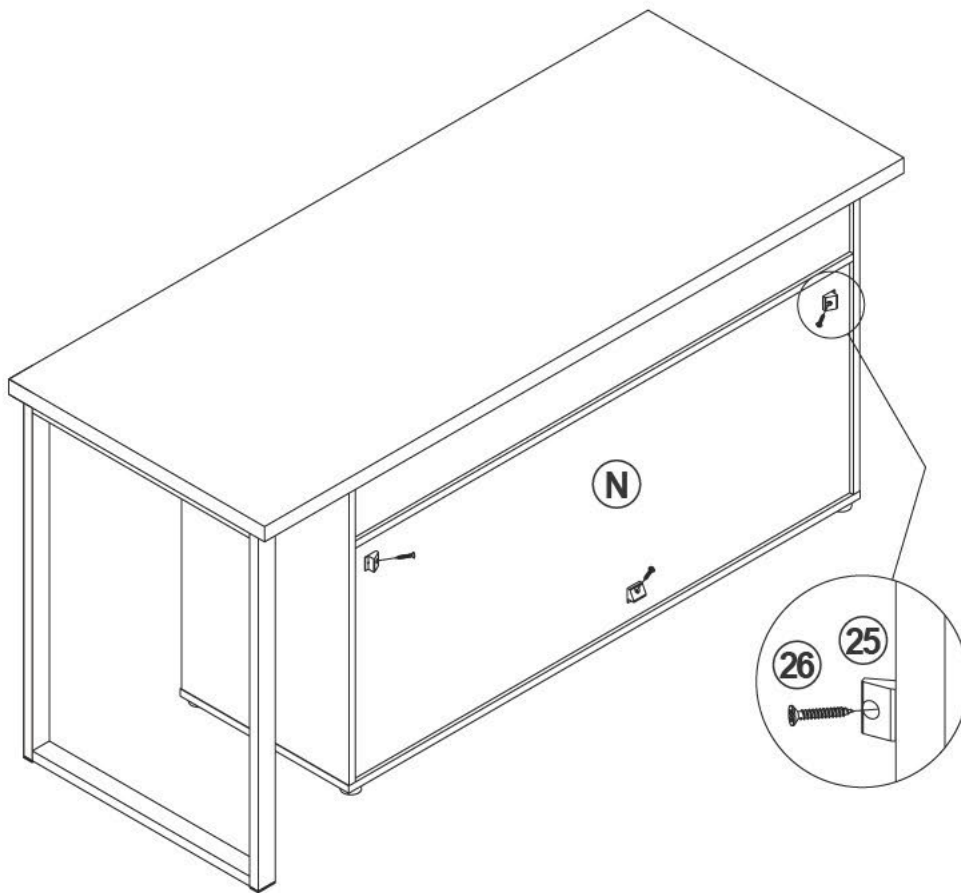
STEP 18



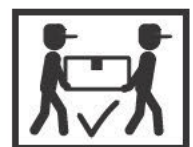
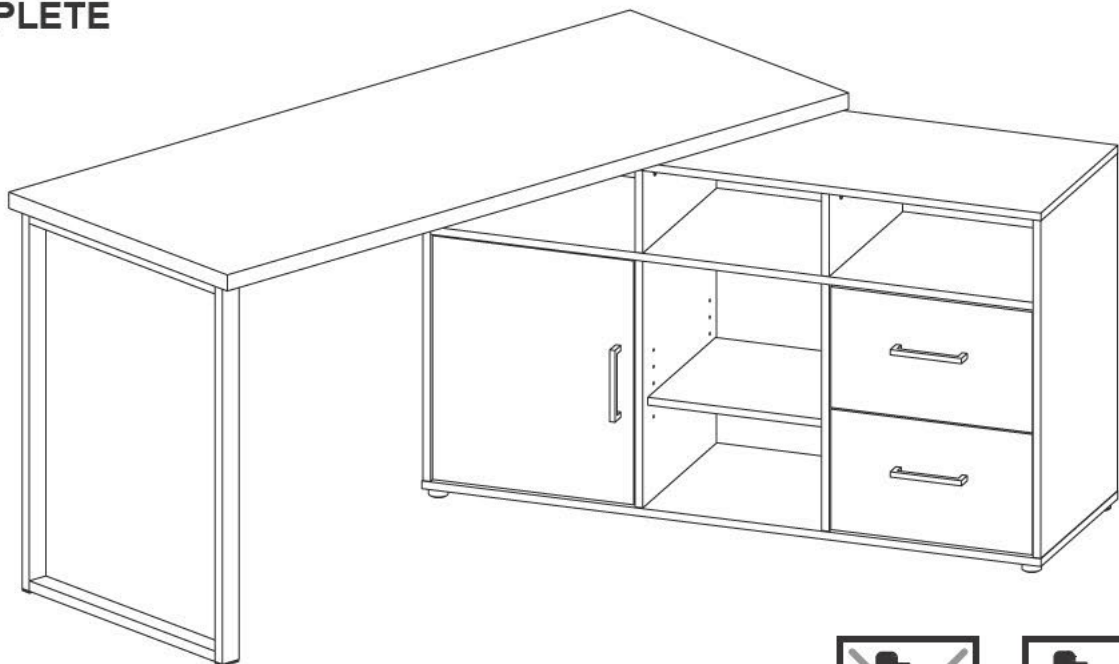
STEP 19

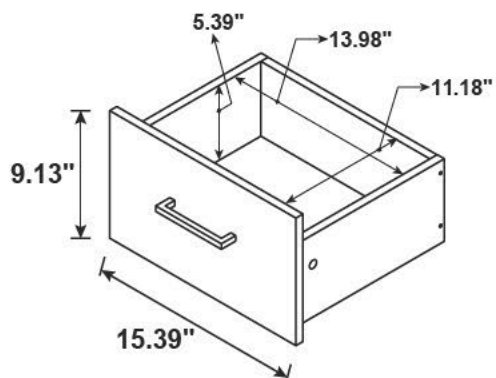
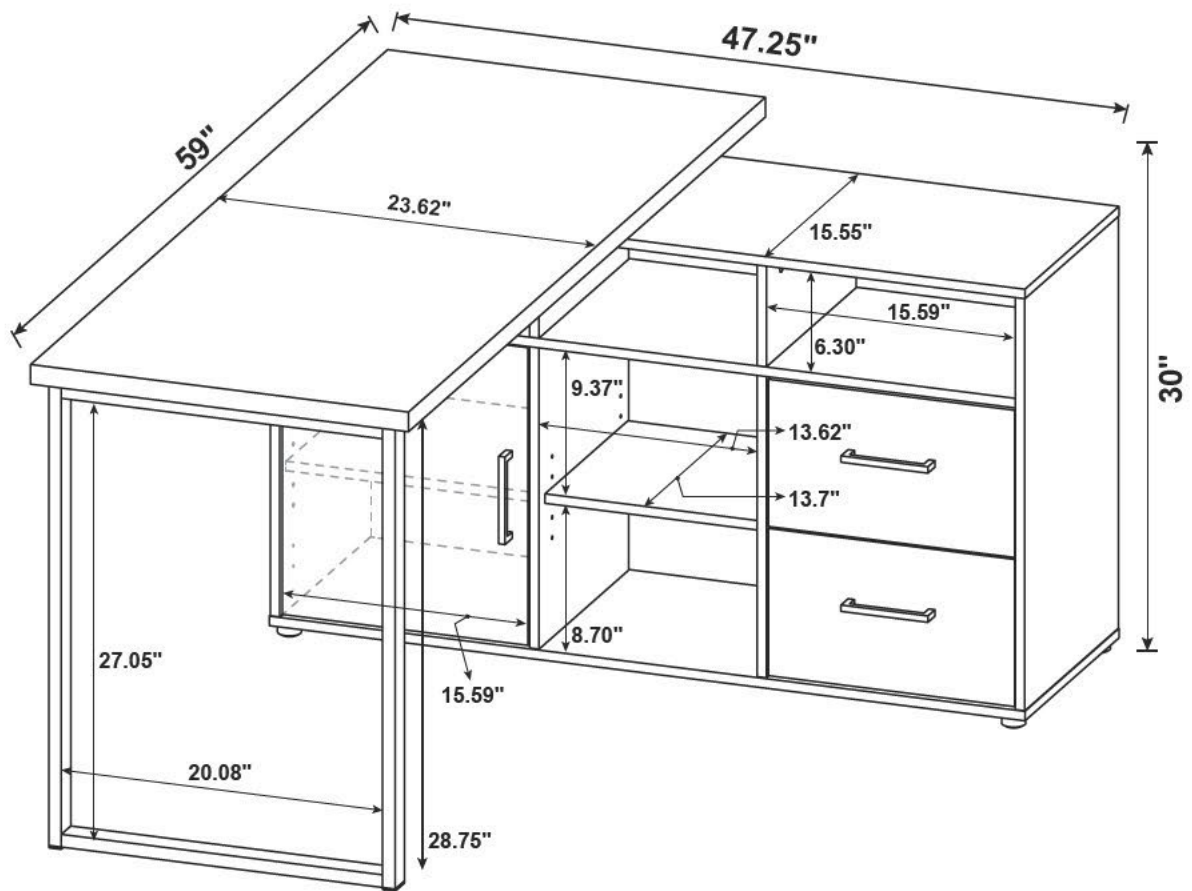


STEP 20



STEP 21 COMPLETE





Note : Dimension tolerance $\pm 5\%$