

# Florence Day Bed

## Assembly Instructions



## IMPORTANT - READ CAREFULLY - RETAIN THESE INSTRUCTIONS FOR FUTURE REFERENCE

- Due to the size of this product, we recommend that it is assembled in the room intended for use.
- When you are ready to start, make sure that you have the right tools, plenty of space and a clean, dry area for assembly.
- Unwrap all packaging materials and place the components on top to the carton box or on a clean blanket to prevent it and your floor from scratching.
- Keeping small parts in a bowl should reduce the chances of losing any small components.
- Check the pack and make sure you have all the parts listed.
- Ensure that the product is fully assembled and secured as illustrated before use.
- Check all screws or bolts are tightened and inspect regularly - this is a normal requirement of flat-pack furniture.
- This product should only be used on firm, level ground.
- Please dismantle fully before transporting anywhere.

## WARNINGS

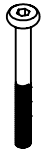
- This product is intended for a maximum person's weight of 100kg per side. Do not exceed this weight.
- Keep small parts out of reach of children, as they present a choking hazard.
- Make sure the legs remain in contact with the ground.
- Do not use power tools to construct this product. Only use those tools listed. The use of power tools will invalidate any future claim.
- Do not tighten screws fully until fully assembled, to ensure that the product is square.
- Do not use the product if parts are missing, damaged or worn.
- Do not stand directly on the product. Keep sharp or heavy objects away from the surface of the product.
- Incorrect installation could lead to injury. Take care following instructions.

## CARE INFORMATION

- Never use scourers, abrasives or chemical cleaners. Avoid contact with hair spray, nail polish or varnishes.
- To clean, wipe with a sponge and warm soapy water. Do not use solvent-based cleaners or detergents as they can bleach or damage the product.
- If the bed being used is on a wooden or laminate floor, we recommend the use of furniture friction pads. These can be brought from most reputable DIY stores.
- Once you are satisfied with your new product, please dispose of all packaging in a safe and environmentally friendly way.

# FITTINGS

A



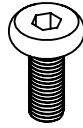
M6x60mm  
x2 pcs

B



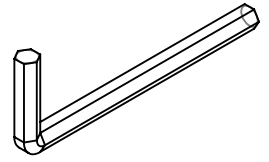
M6x50mm  
x4 pcs

C



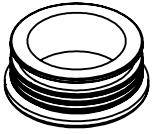
M6x15mm  
x6 pcs

D



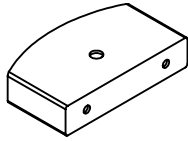
M4xAllen Key  
x1 pcs

E



Plastic Leg Caps  
x4 pcs

F



Plastic Slat Caps  
x26 pcs

G



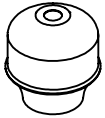
Crystal Balls  
x4 pcs

H



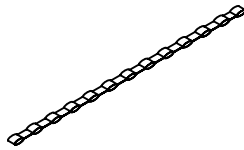
Non Cap Screws  
x4 pcs

I



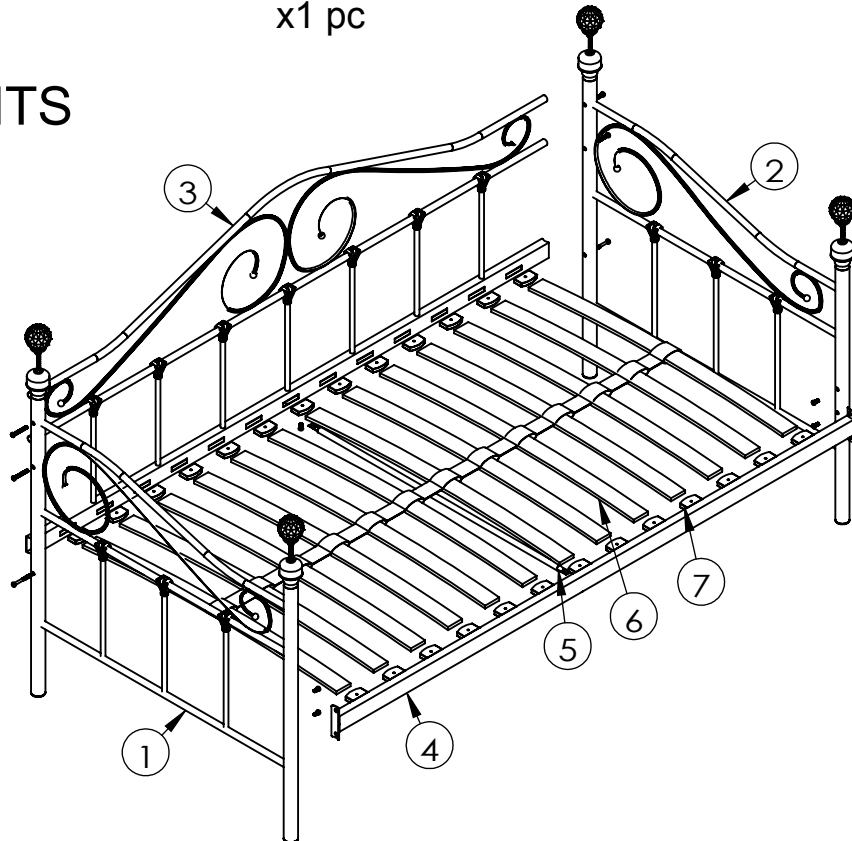
Crystal Ball Bases  
x4 pcs

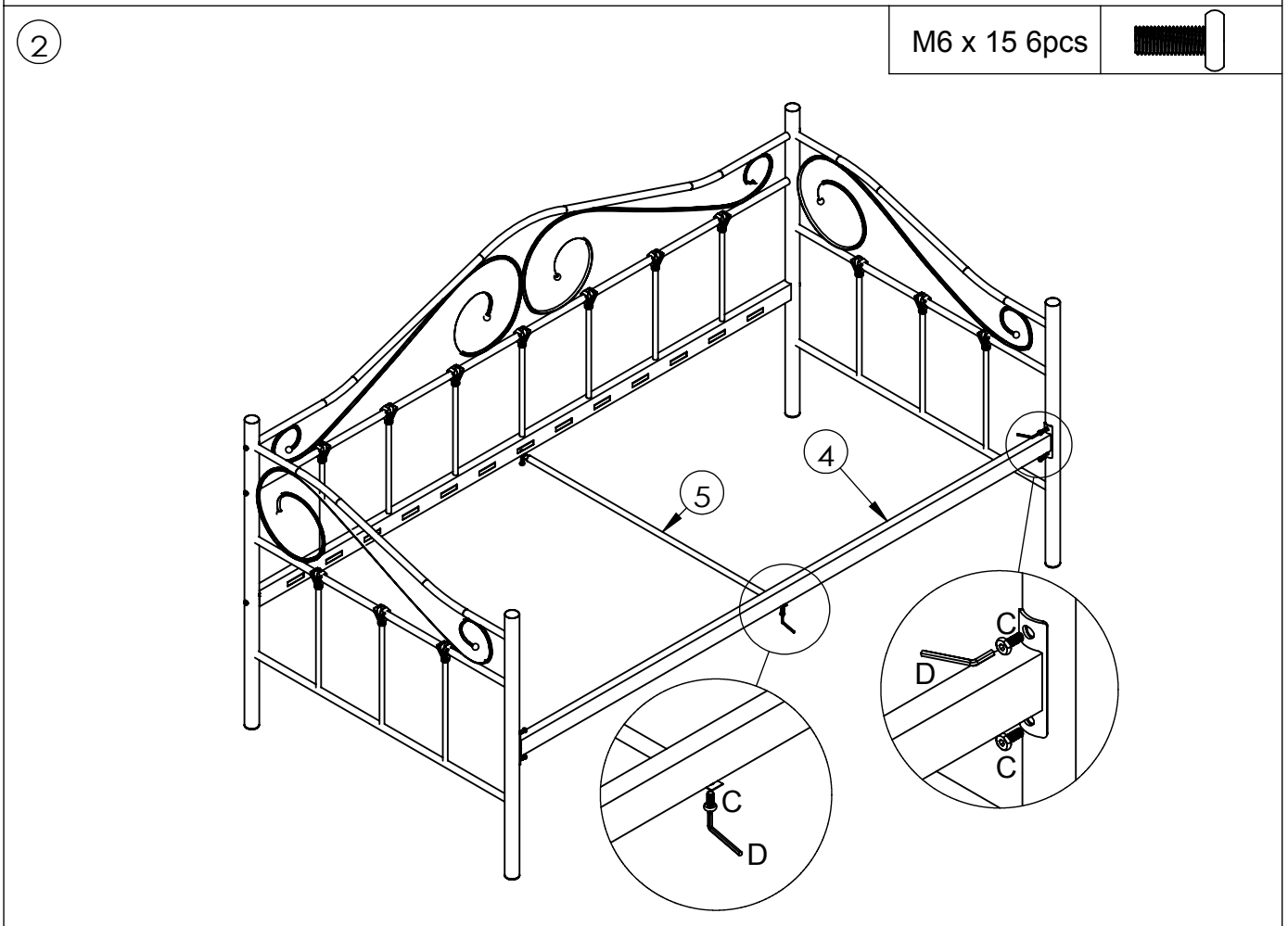
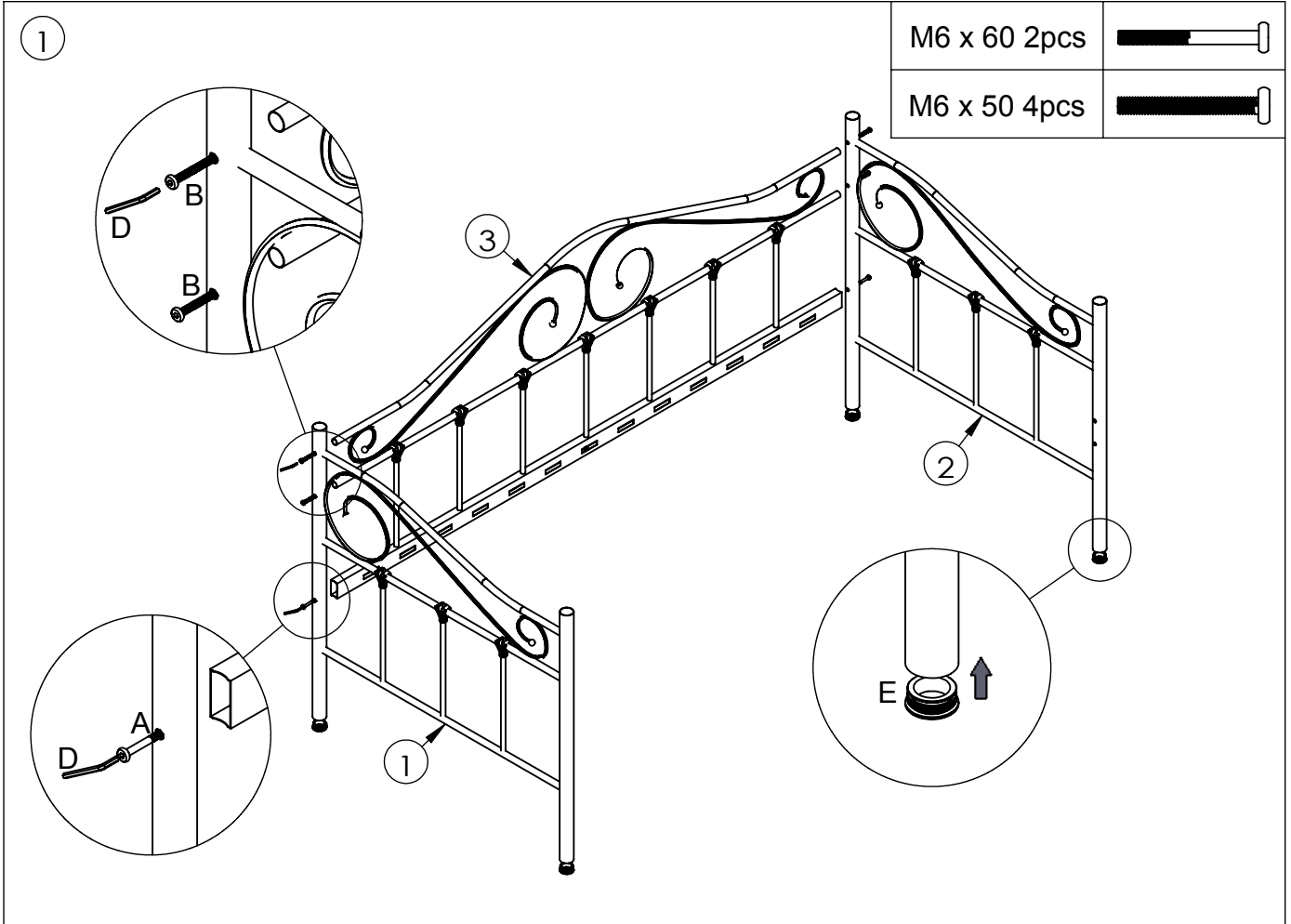
J



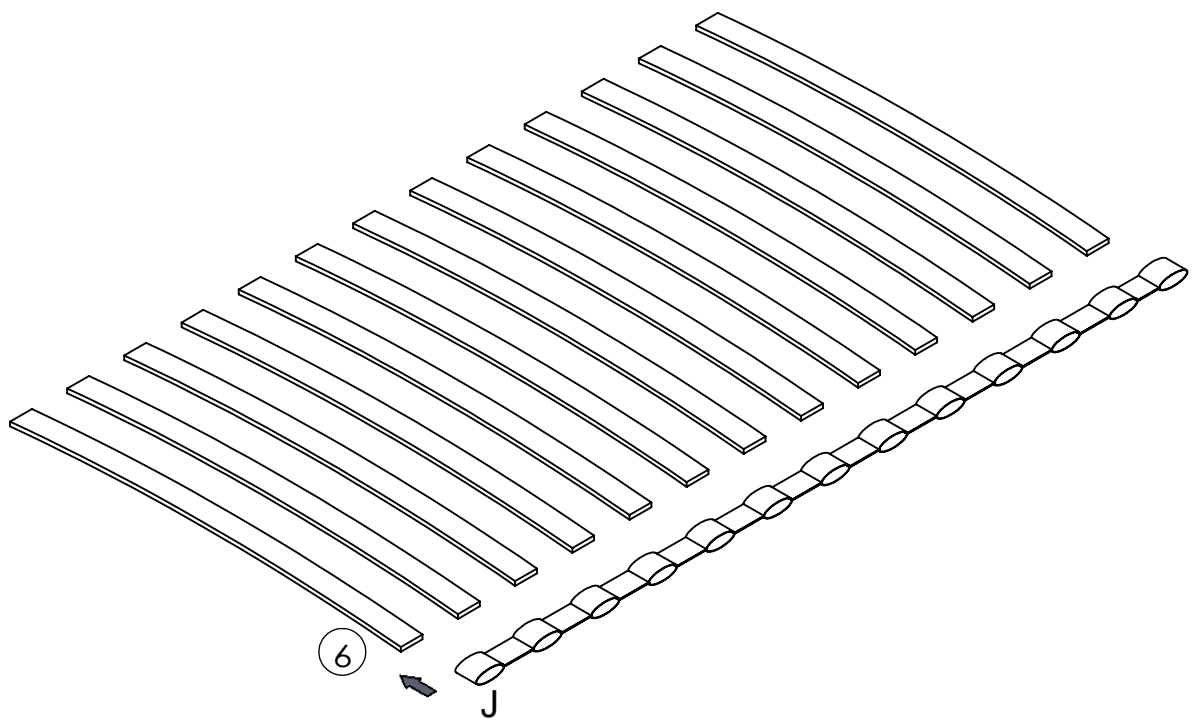
Woven Slat Belt  
x1 pc

# COMPONENTS





3



4

