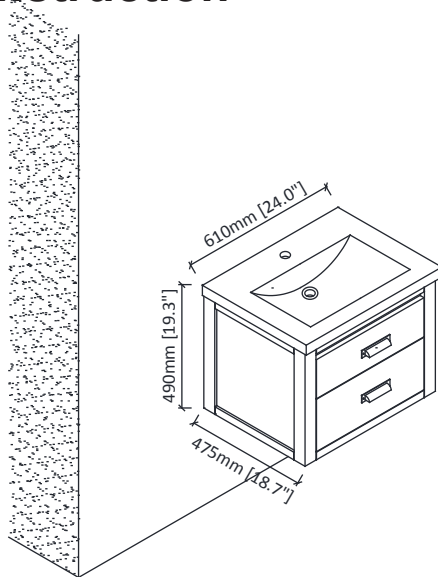
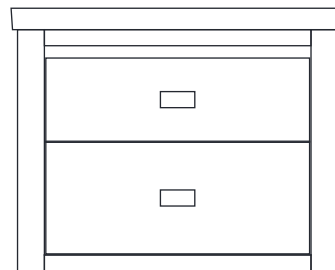
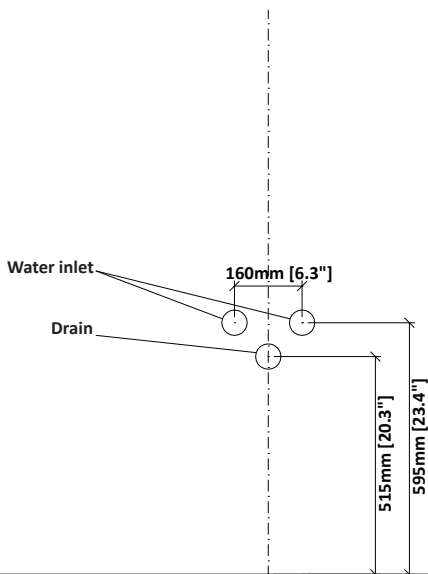
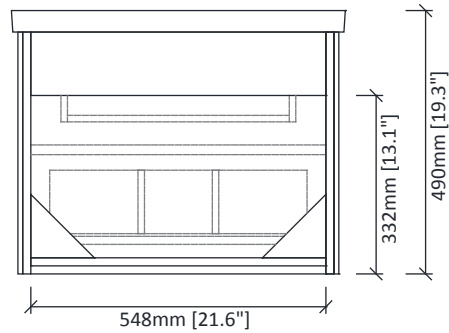
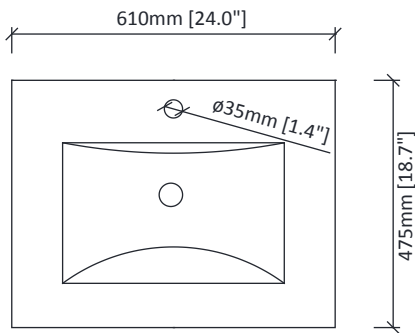


# 24 Cabinet Installation Instruction



## DIMENSIONS



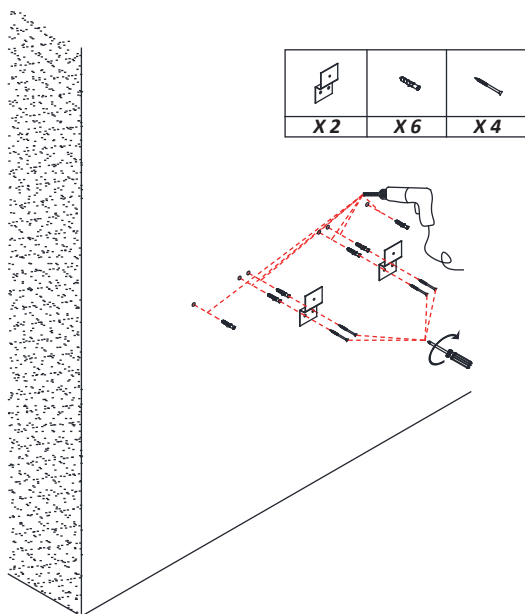
## WARNING !

*In the hole on the wall, please be sure to be careful to avoid the internal cables and pipelines.*

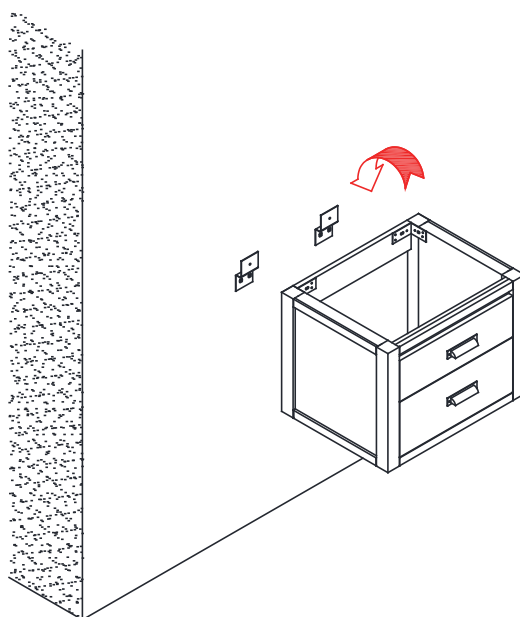
## MATERIALS & TOOLS

*Safety glasses, Pencil, Level, Tape measure, Stud Finder, Assorted screwdrivers, Assorted Wrenches, Drill, Screw gun, Caulking gun, Hammer, Screws, Nail anchors/Molly screws.*

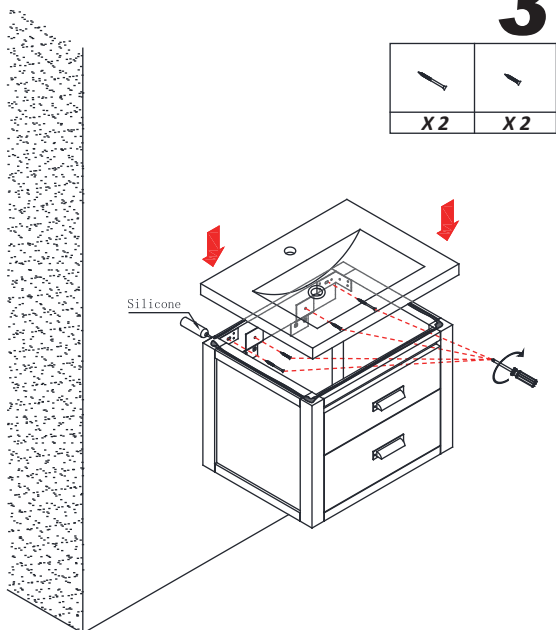
# INSTALLATION GUIDE



**1**



**2**



**3**

**4**

