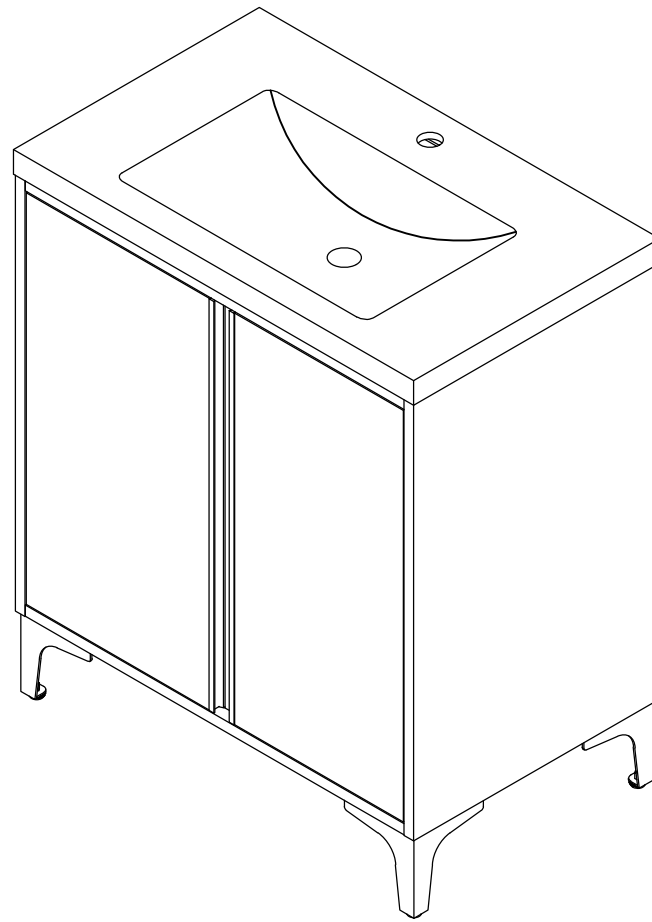
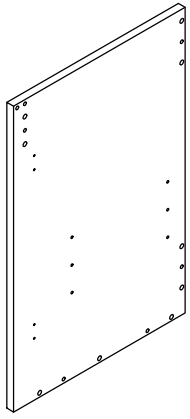


ASSEMBLY INSTRUCTIONS

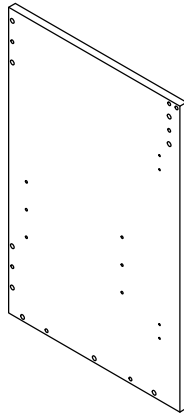
500606-24. 500606-30. 500606-36.



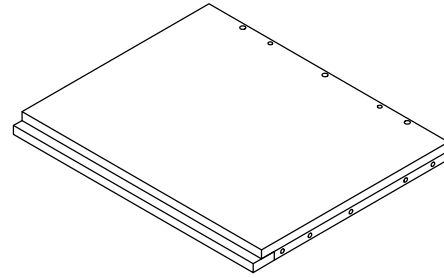
① x 1



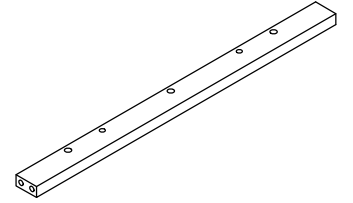
② x 1



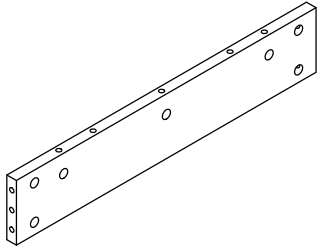
③ x 1



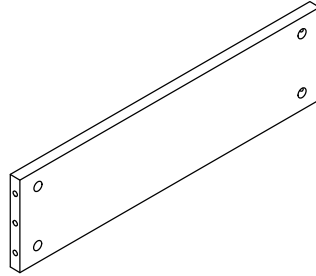
④ x 1



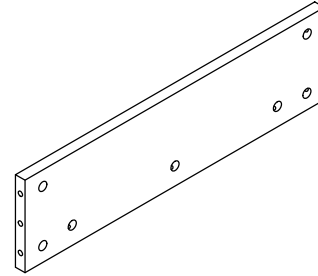
⑤ x 1



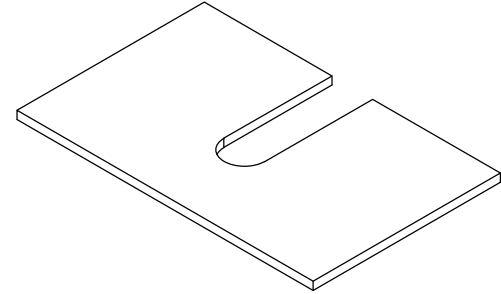
⑥ x 1



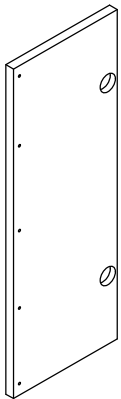
⑦ x 1



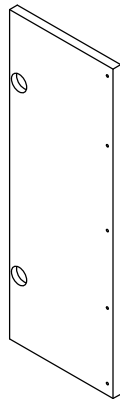
⑧ x 1



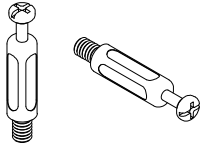
⑨ x 1



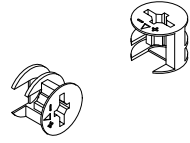
⑩ x 1



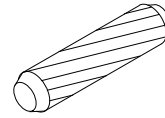
A x 24



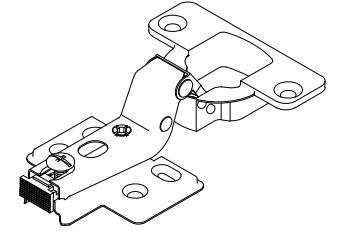
B x 24



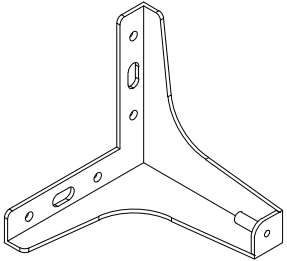
C x 18



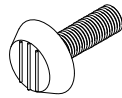
D x 4



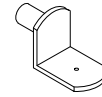
E x 4



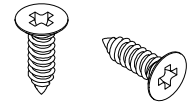
F x 4



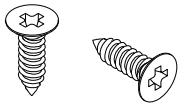
G x 4



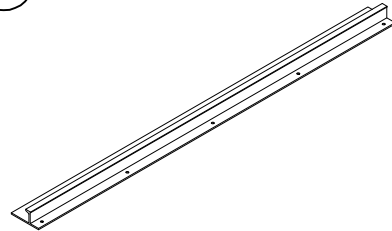
H x 24
(3.5*14mm)



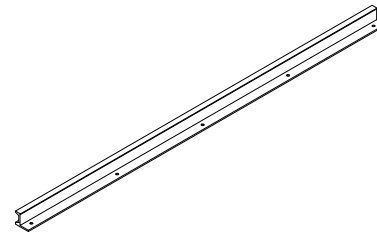
I x 10
(3.5*14mm)



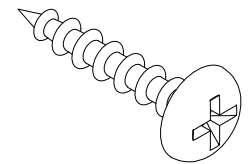
J x 1



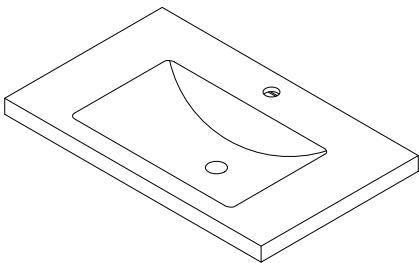
K x 1



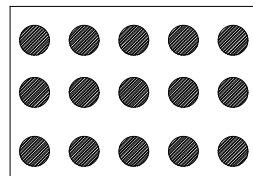
L x 16
(3.5*17mm)



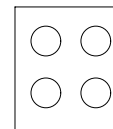
M x 1



N x 24

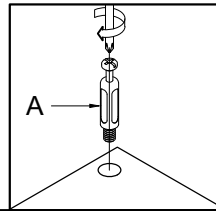
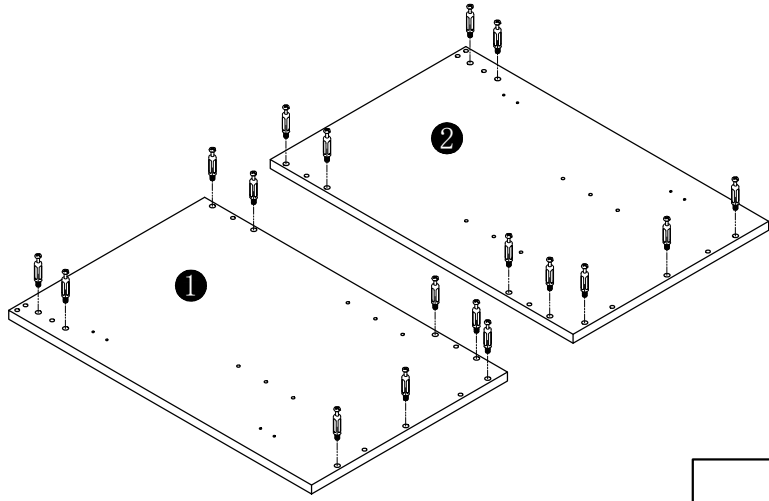


O x 4



Step 1

(A) x 18

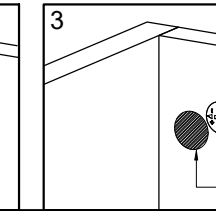
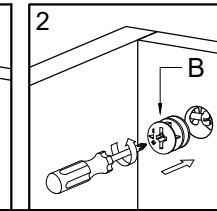
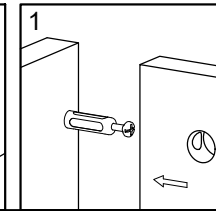
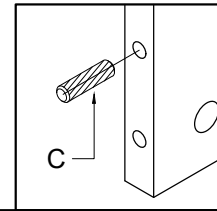
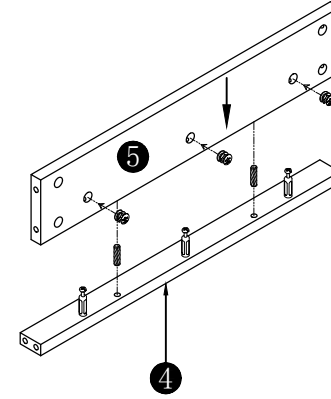


Step 3

(B) x 3

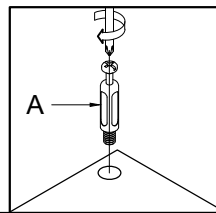
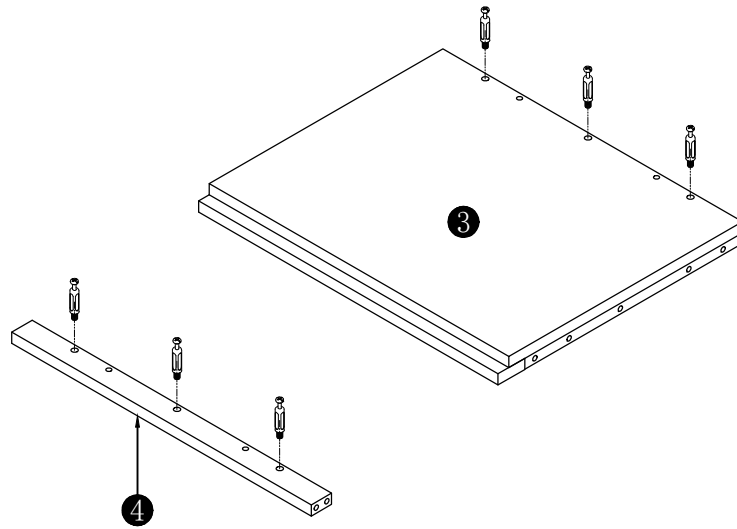
(C) x 2

(N) x 3



Step 2

(A) x 6

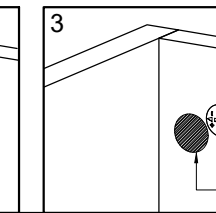
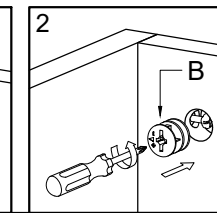
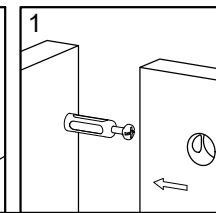
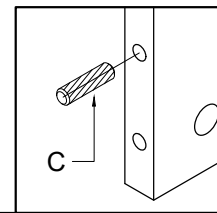
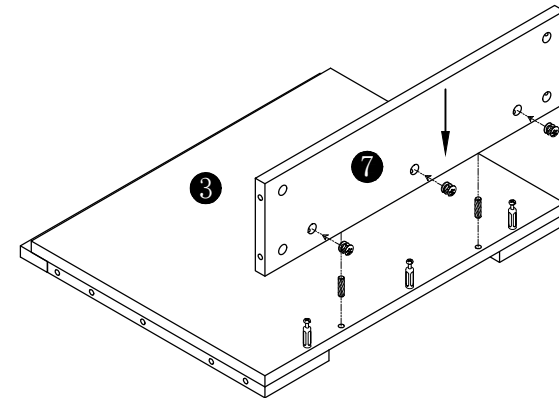


Step 4

(B) x 3

(C) x 2

(N) x 3

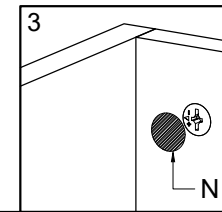
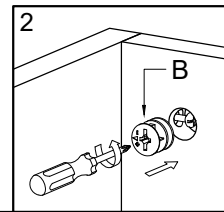
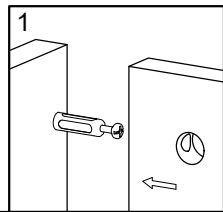
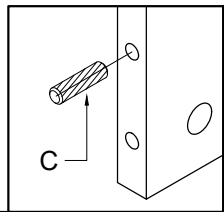
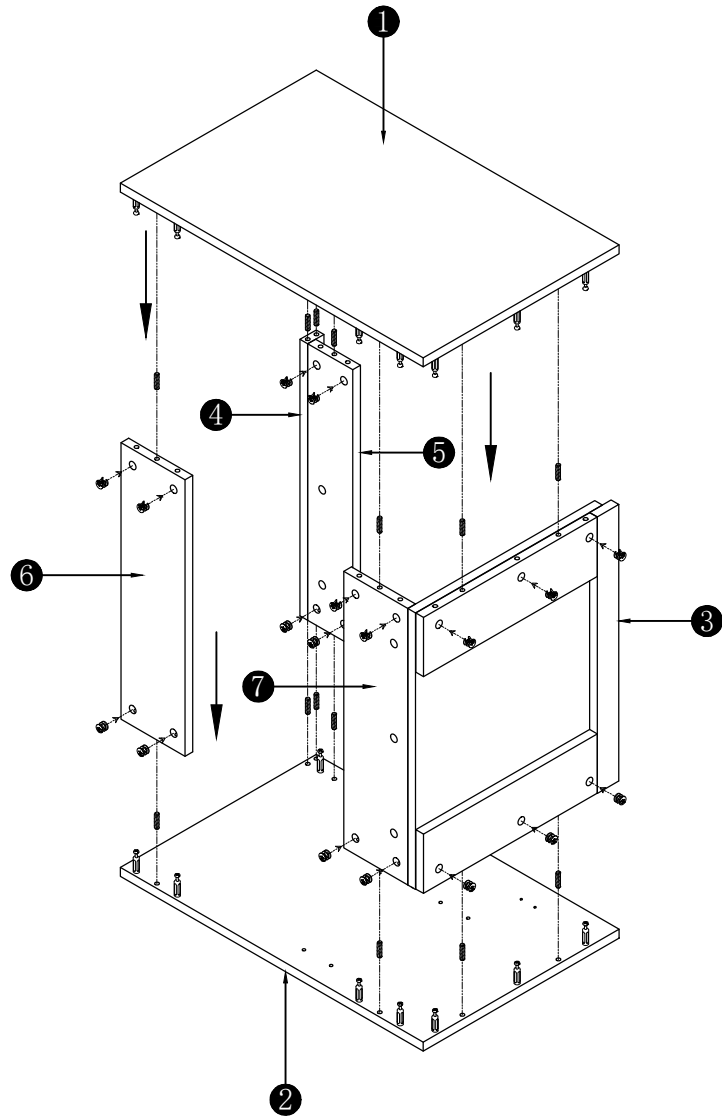


Step 5

(B) x 18

(C) x 14

(N) x 18

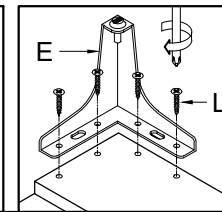
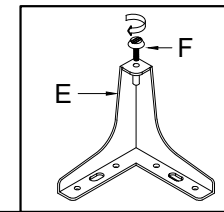
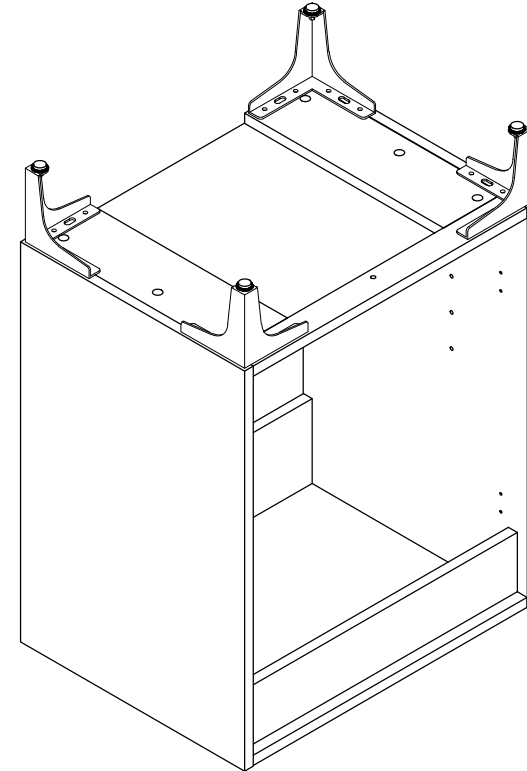


Step 6

(E) x 4

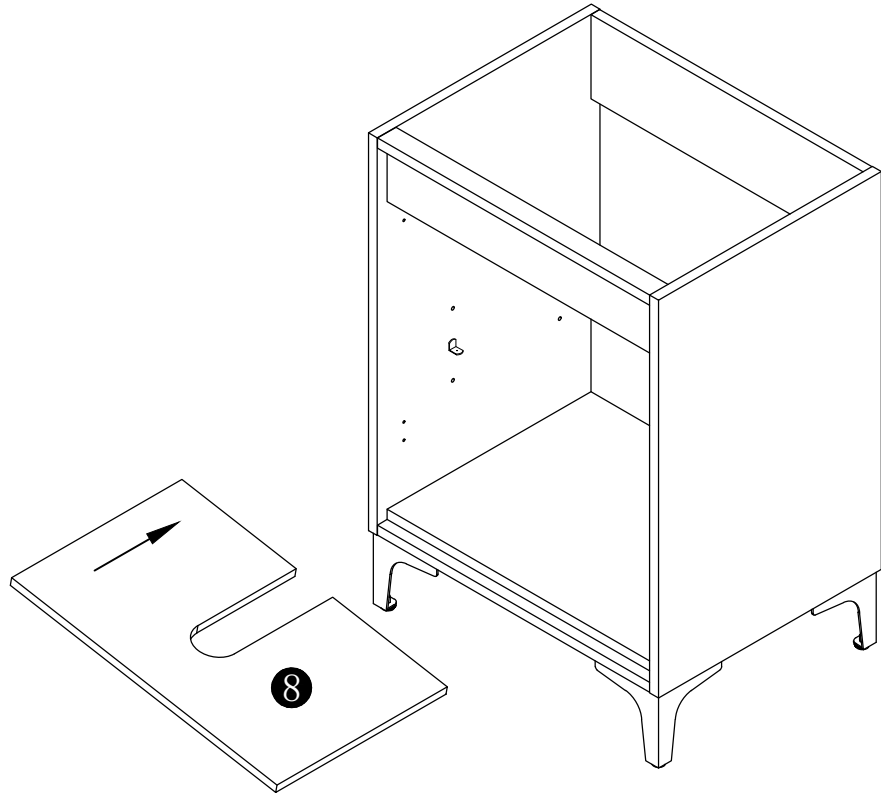
(F) x 4

(L) x 16



Step 7

ⓐ x 4



Step 8

ⓓ x 4

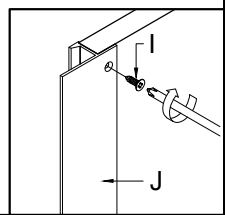
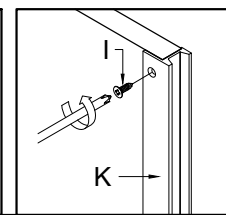
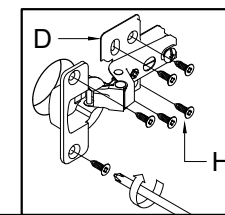
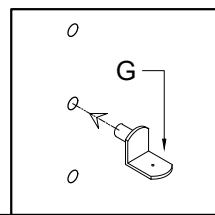
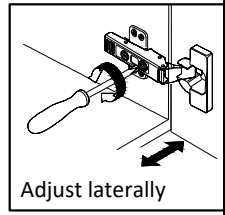
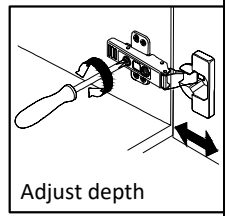
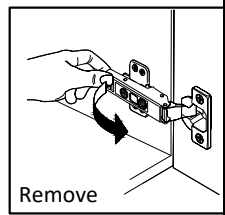
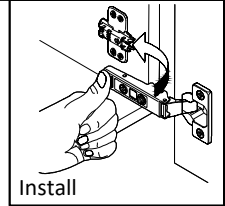
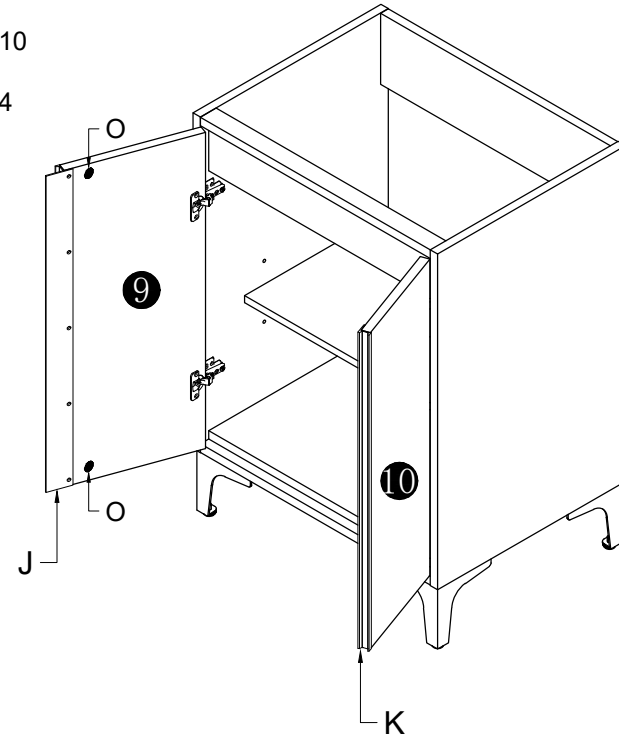
ⓙ x 1

Ⓚ x 1

ⓓ x 24

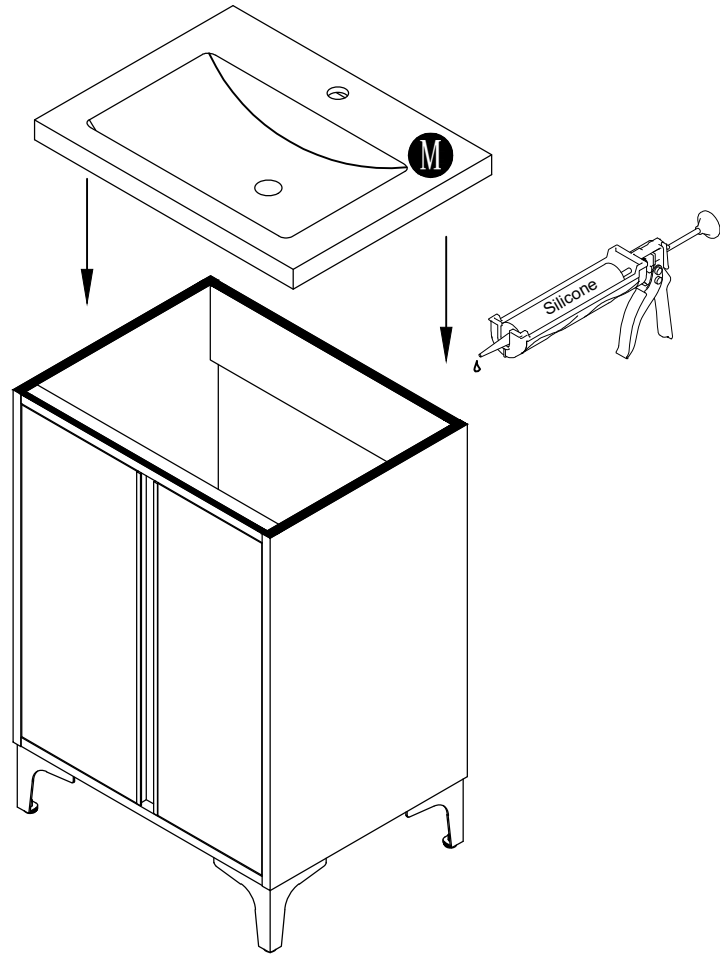
ⓓ x 10

ⓐ x 4

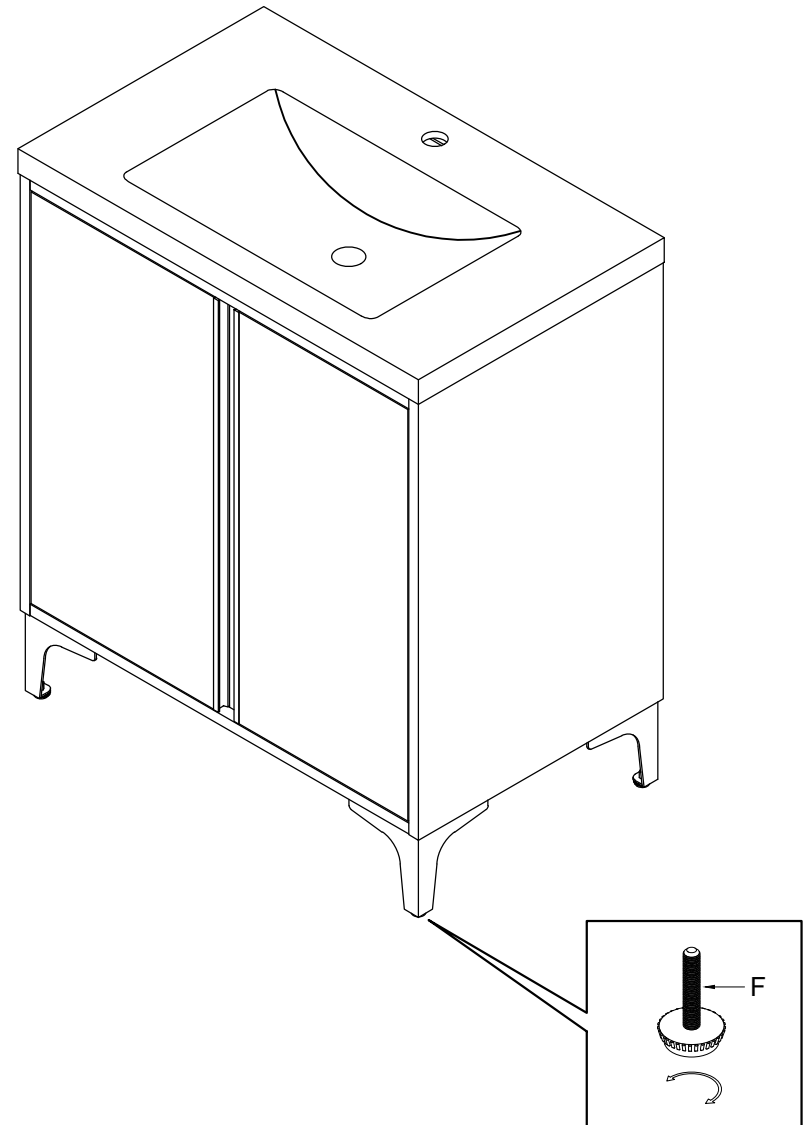


Step 9

(M) x 1



Complete



Keep your **Bellaterra Home** resin sink looking **beautiful** and performing at its **best** by following these simple care instructions.

Initial Cleaning (Upon Receipt)

- Use a **neutral, transparent cleaning agent** to clean the surface.
 - Wipe thoroughly with a **clean, lint-free towel** until completely dry.
-
-

Matte-Finish Sink Care

- If you notice **fine particles** on the surface, use the **included sandpaper** to **gently sand** in a **single, consistent direction**.
 - Apply **light pressure** to avoid surface damage.
-
-

Prevent Scratches

- Avoid placing **sharp or hard objects** (e.g., knives, nail files, metal clips) directly on the basin.
 - Use **anti-slip pads** or **soft coasters** under soap dishes, cosmetic containers, and other bathroom items to reduce friction and prevent scratches.
-
-

Avoid Harsh Chemicals

- **Do not use** strong acidic or alkaline cleaners, such as **toilet bowl cleaners** or **concentrated descalers**.
 - These can **corrode, discolor,** or **dull** the resin surface.
 - Always choose **mild, neutral cleaning products** for daily maintenance.
-
-





Remove Stains Promptly

- Wipe off **colored liquids** (e.g., hair dye, tinted cleansers, colored mouthwash) and **pigmented cosmetics** immediately.
 - Use a **neutral cleaning agent** to prevent stains from setting into the resin surface.
-
-

Protect from Sunlight

- Avoid exposing your sink to **direct sunlight** or **high heat** for prolonged periods.
 - Excessive exposure may cause **fading, discoloration,** or **surface cracking**.
-
-

Quick Tips

-  Clean regularly using mild products
 -  Wipe dry after each use to maintain shine
 -  Do not scrub aggressively
 -  Do not expose to extreme temperatures
-
-

Need Help? We're Here for You!

- If you have any questions or issues with your resin sink top, please feel free to contact us.
- If possible, include images or a short video of the problem area when emailing us.
- This helps us troubleshoot issues quickly and provide faster support.

Bellaterra Home Customer Support

Email: info@bellaterrahome.com

Phone: 1-888-928-9918

Website: www.bellaterrahomes.com