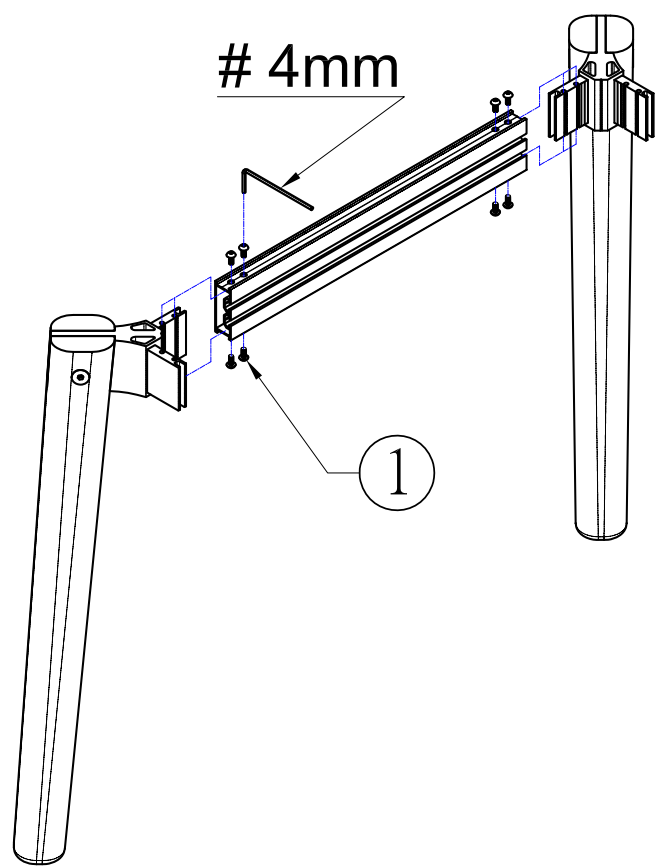
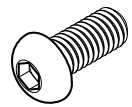
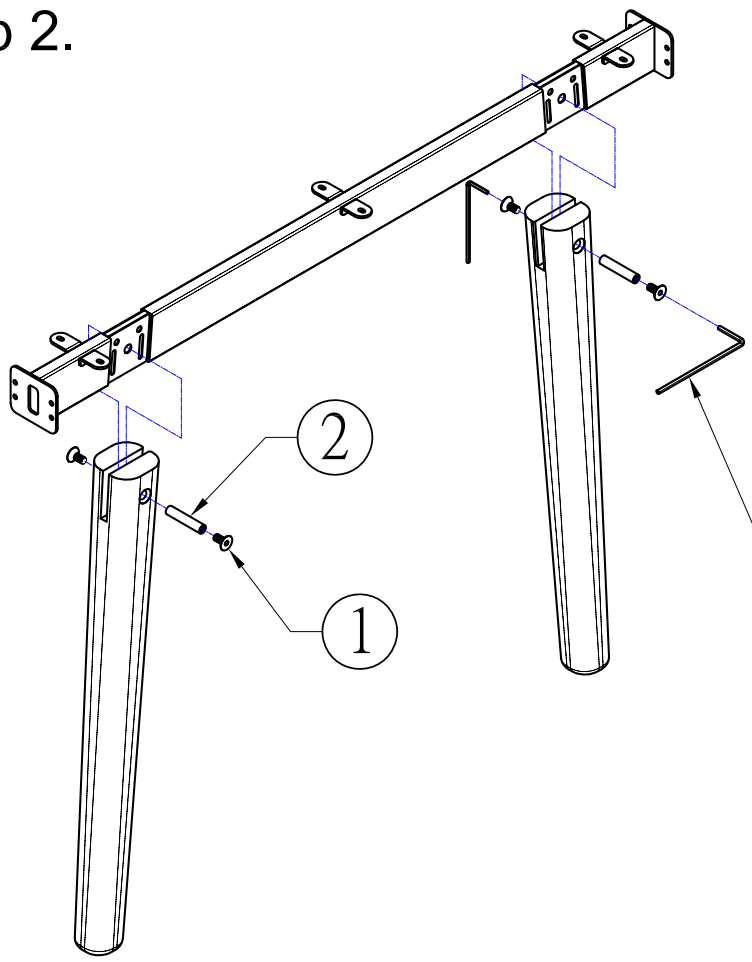


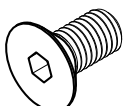
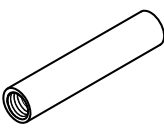
Step 1.



Hardware	
1	
M6 x 12mm x8pcs	

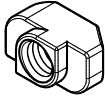

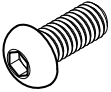
Step 2.

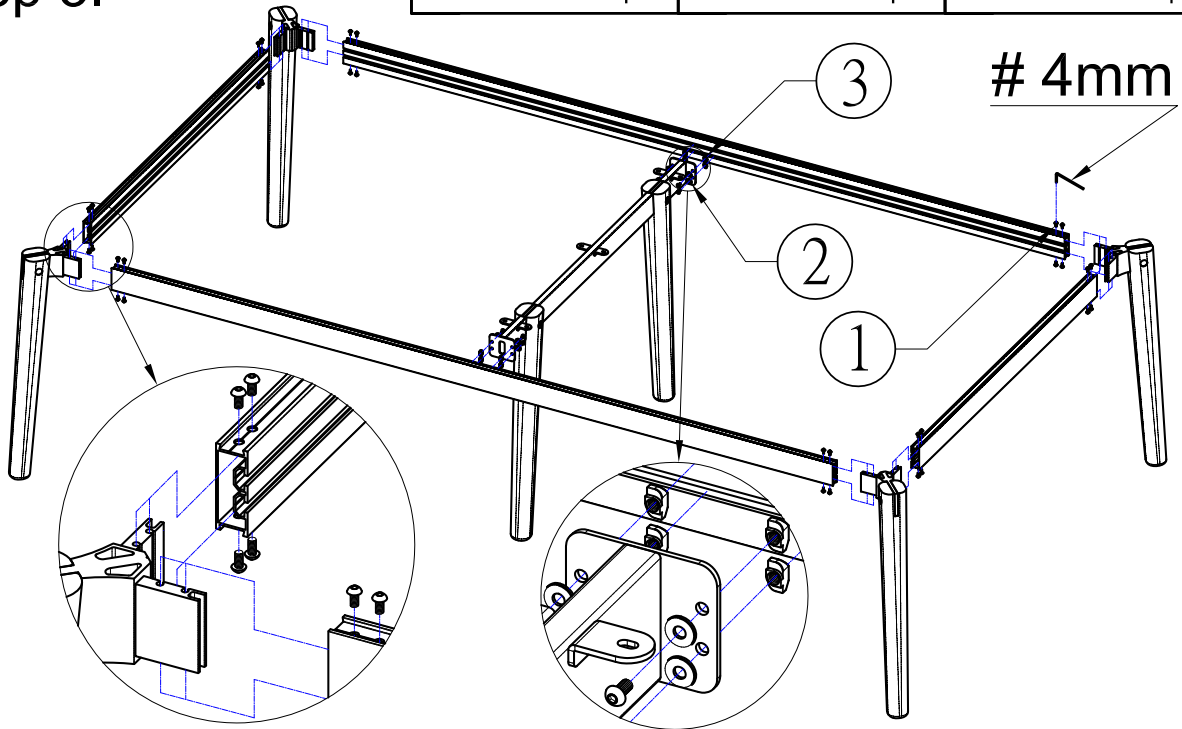


Hardware	
1	
M10 x 20mm x4pcs	
2	
M10 x 12mm x2pcs	

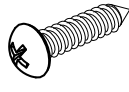
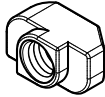

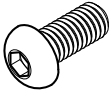
# 6mm x2

### Step 3.

Hardware					
3		2		1	
	M6 x8pcs		M6 x8pcs		M6 x 12mm x40pcs



### Step 4.

Hardware							
4		3		2		1	
	$\phi^{3/16}$ " x $7/8$ " x10pcs		M6 x8pcs		M6 x8pcs		M6 x 12mm x40pcs

