

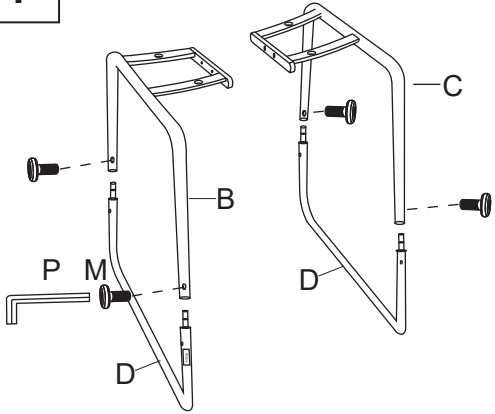
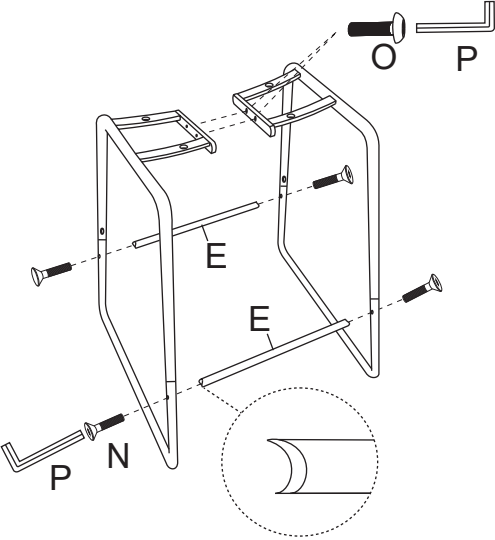
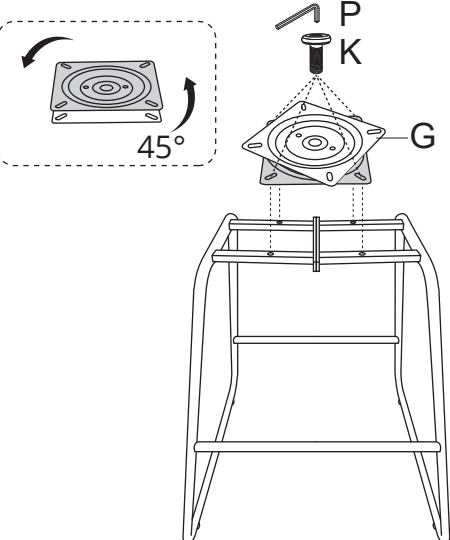


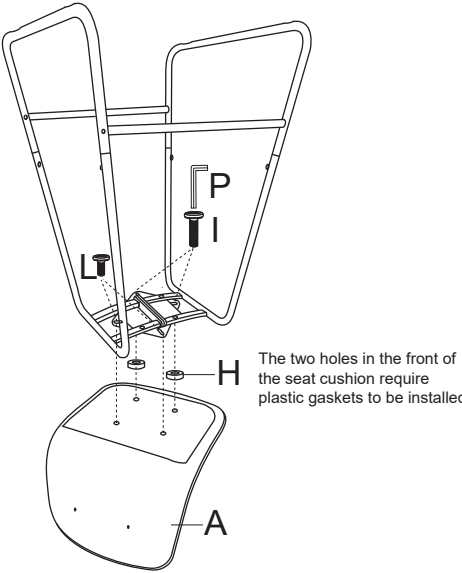
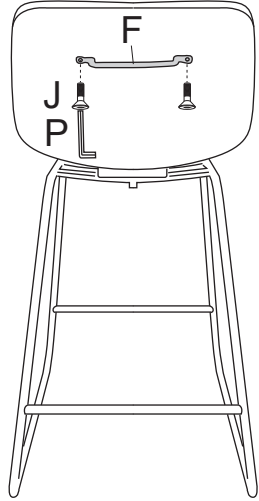
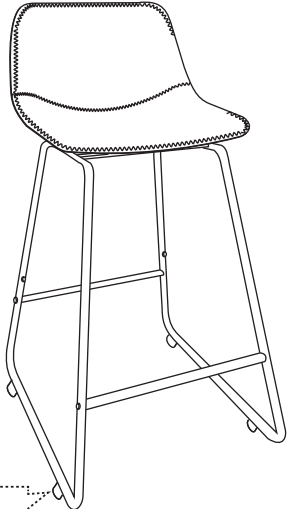
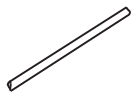
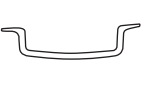













# ASSEMBLY INSTRUCTION

<b>A</b>  x1	<b>B</b>  x1	<b>1</b>  <p><b>D</b> Make sure the label [Outside] faces out</p>	<b>2</b> 	<b>3</b> 								
<b>C</b>  x1	<b>D</b>  x2	<b>4</b>  <p>The two holes in the front of the seat cushion require plastic gaskets to be installed.</p>	<b>5</b> 	<b>6</b>  <p>Adjust the leveling feet for balance (One more for replacement)</p>								
<b>E</b>  x2	<b>F</b>  x1	<b>G</b>  x1	<b>H</b>  x2	<b>I</b> M6*25MM  x2+1	<b>J</b> M6*18MM  x2+1	<b>K</b> M6*16MM  x4+1	<b>L</b> M6*14MM  x2+1	<b>M</b> M6*10MM  x4+1	<b>N</b> M6*30MM  x4+1	<b>O</b> M8*14MM  x2+1	<b>P</b>  x1	<b>Q</b>  x1