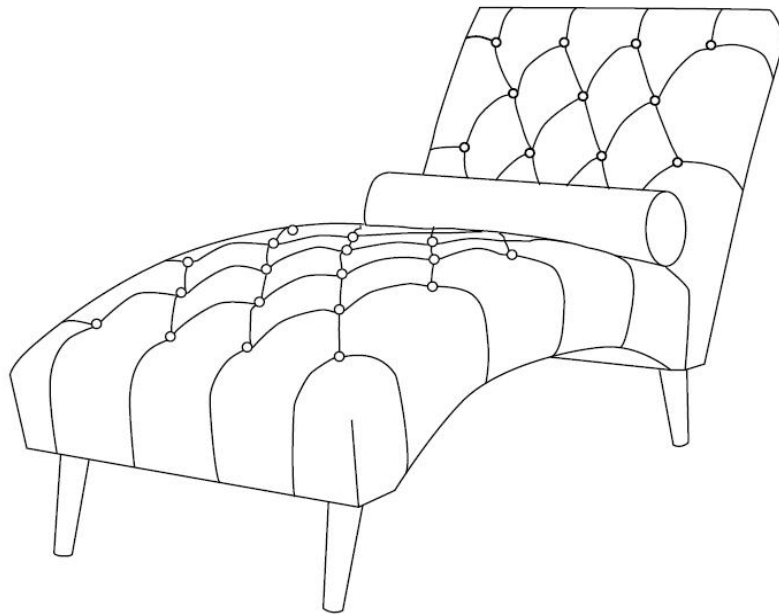


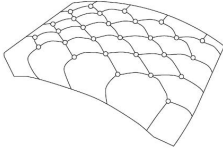
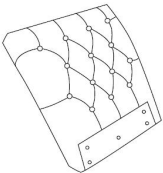


Assembly Instructions

Note: Please help to read my instruction before you ready to assemble.






CHAISE LOUNGE



Part List

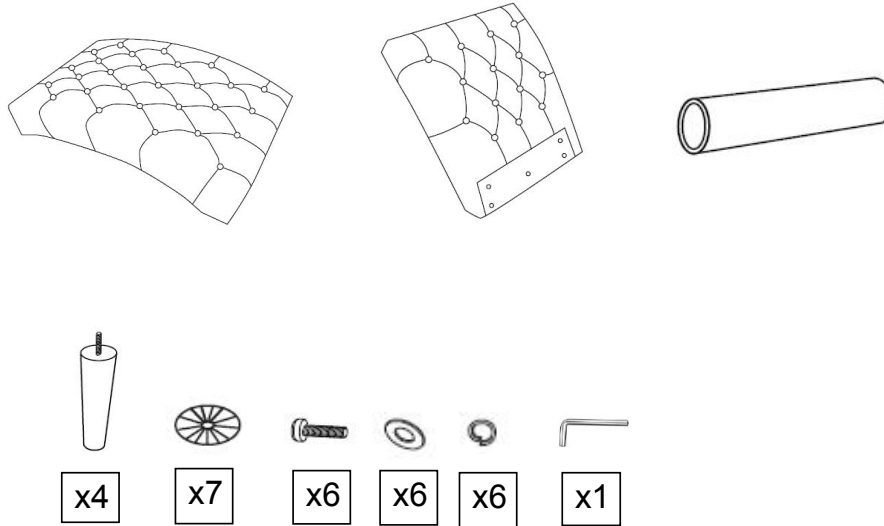
Label	Picture	Description	QTY (PCS)
A		Chaise Frame	1
B		Backrest	1
C		Pillow	1
D		Leg	4

Hardware

①		Bolt(M8*70MM)	6
②		Flat Washer	6
③		Spring Washer	6
④		Plastic Washer	7
⑤		Allen Wrench	1

Assembly Preparation

All Including:

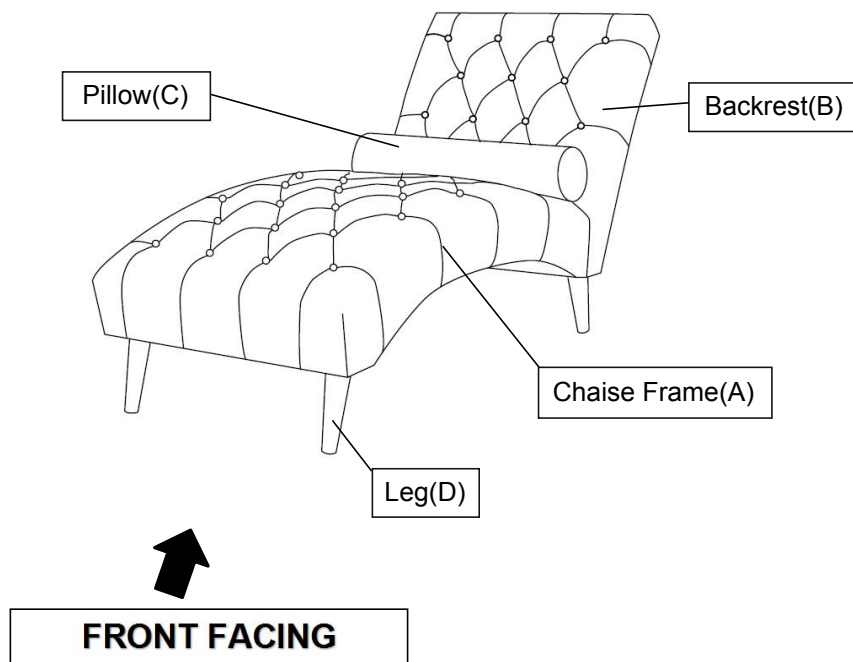


NOTICE:

- Please read the instruction from cover to cover in detail.Thanks.
- Installed by at least two adults
- To avoid damaging your furniture , Please don't assemble on flooring or carpet.
- Please assemble on a clean non-marring surface, example for packing foam.
- Saving all packaging until have finished.

Assembly Steps

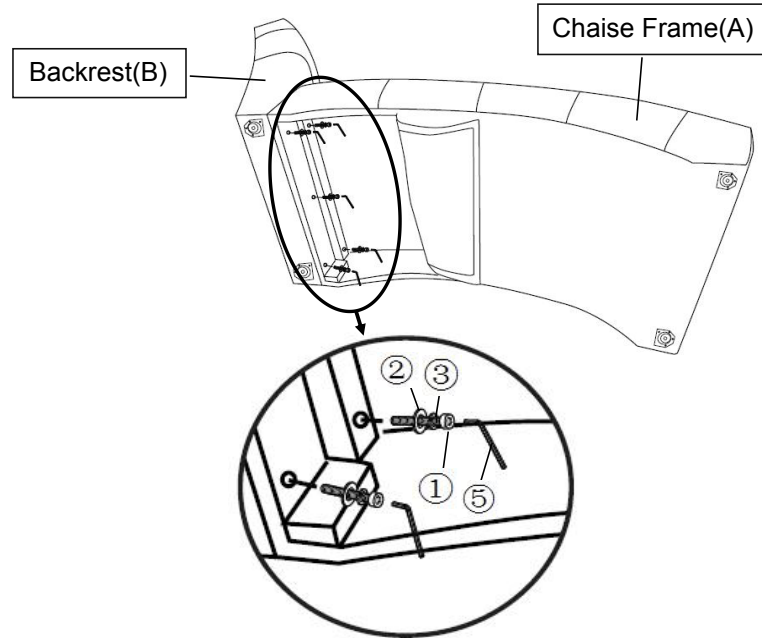
OVERVIEW



This Chaise Lounge has multiple parts and may require up to 30 minutes to assemble. To give you an overview of the Chaise Lounge parts, the above picture is to help you put the various parts into perspective. Please read through the instructions below to familiarise yourself with the parts and steps before assembly.

Note: It is recommended that you have an adult partner to assist during the entire assembly process.

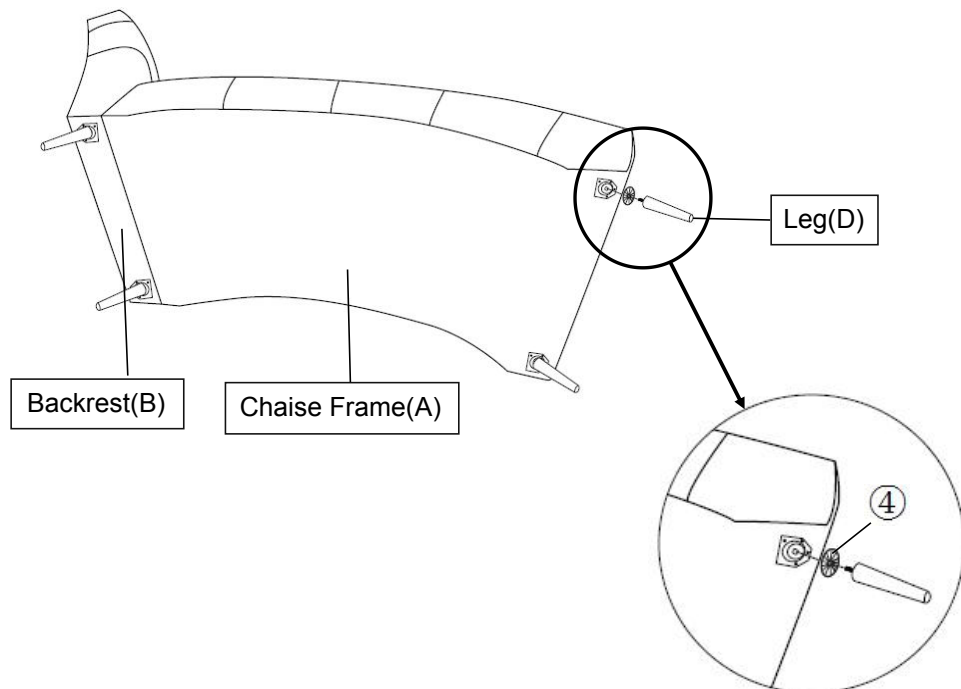
Step 1



Open the carton and place all the parts on a clean, non-marring surface.
Open the non-woven fabric under the Chaise Frame(A),remove Leg&Hardware package from Chaise Frame(A).

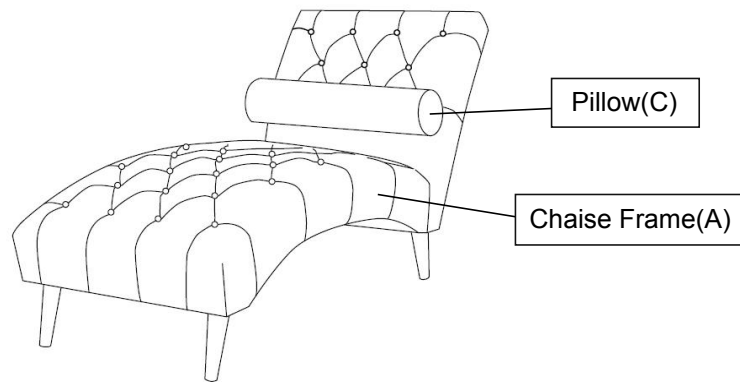
Attach the Backrest(B) to the Chaise Frame(A) first,then use Bolt(①), Spring Washer (③),Flat Washer(②), with Allen Wrench(⑤).turning clockwise until tight.Then close the non-woven fabric.

Step 2



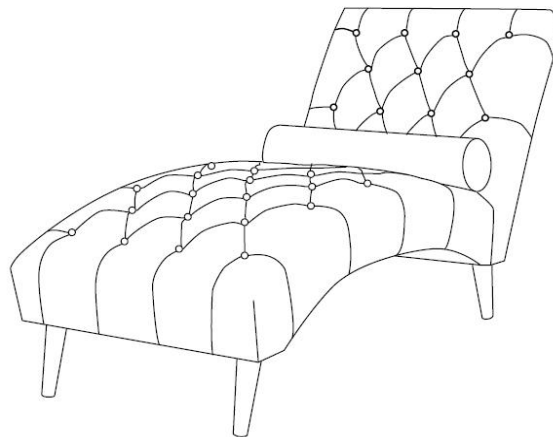
Install the Leg(D) onto the Chaise Frame(A) by putting a Plastic Washer (④)(optional but improves security and tightness),onto the threaded stem. Insert the threaded stem into the threaded hole at each corner of the bottom of the Chaise Frame(A). Tighten the leg by turning clockwise.
Repeat the same steps to install the remaining three legs.

Step 3



Put the Pillow(C) on the Chaise Lounge.

Step 4



Your Chaise Lounge is ready for use.
This Chaise Lounge can only be used on a flat, level surface.