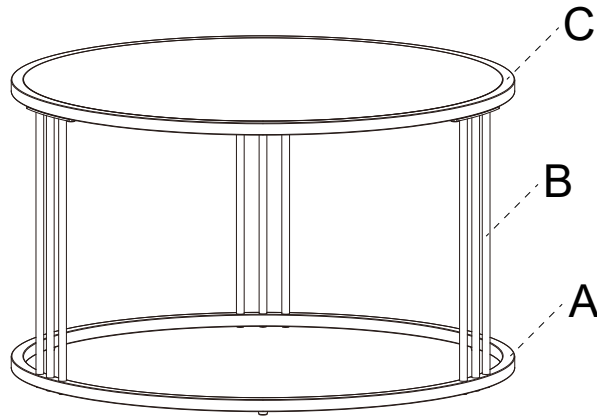


SK-HLA4M09002-Y2

Assembly Instructions

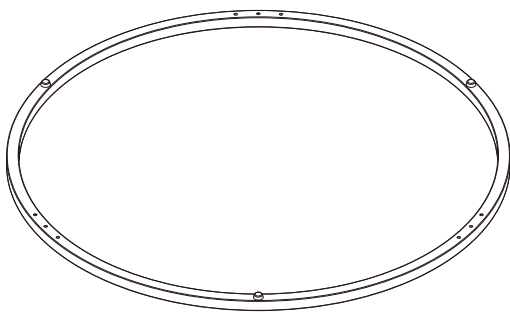


Assemble on the pad to prevent scratching the product.
Do not tighten all screws before instructions prompt.

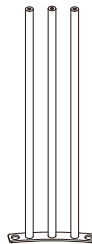


Parts List

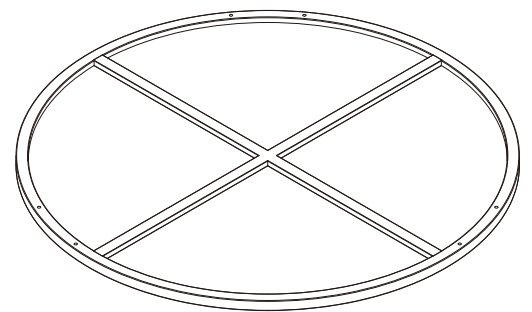
Open the hardware check all parts QTY, thanks



A x 1
(Bottom frame)



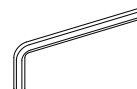
B x 3
(Mid frame)



C x 1
(Top frame)

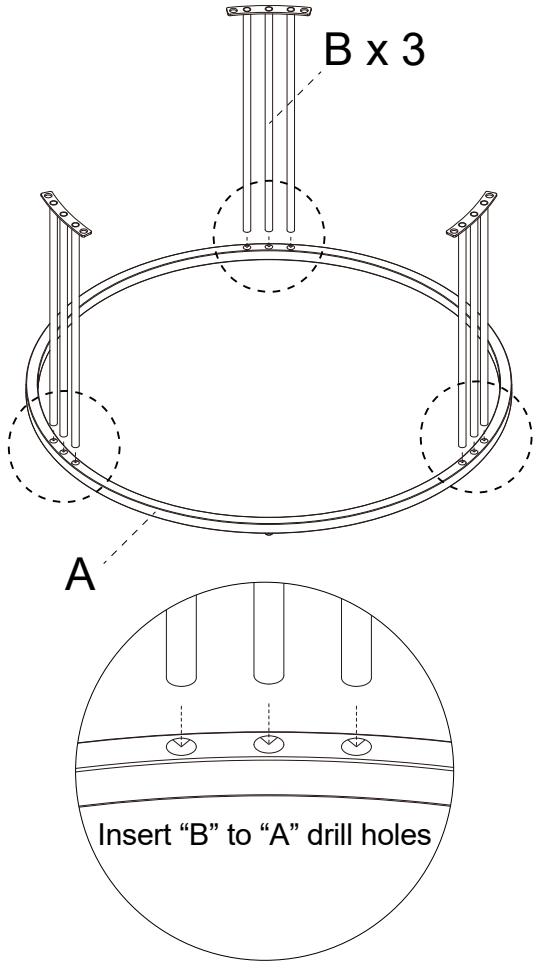


D x 15
(Short screws)

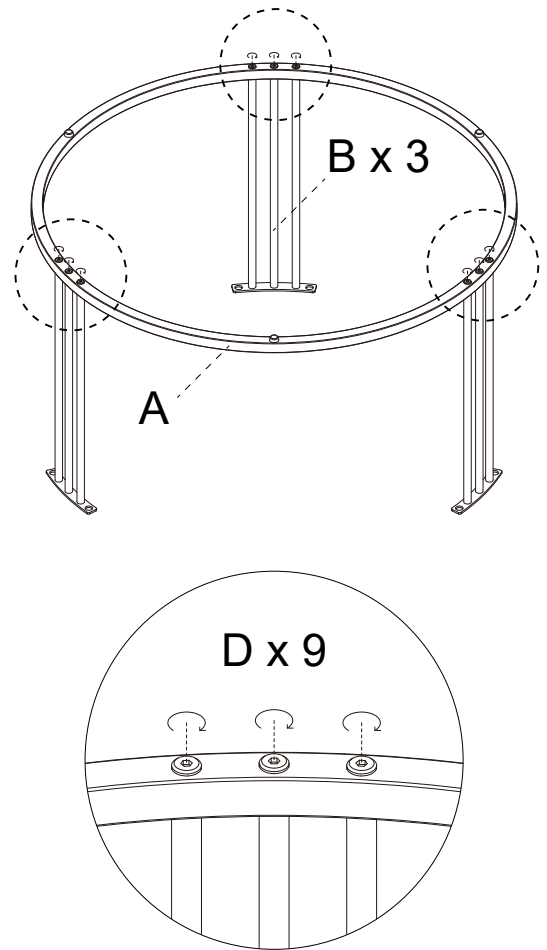


E x 1
(Wrench, tighten clockwise)

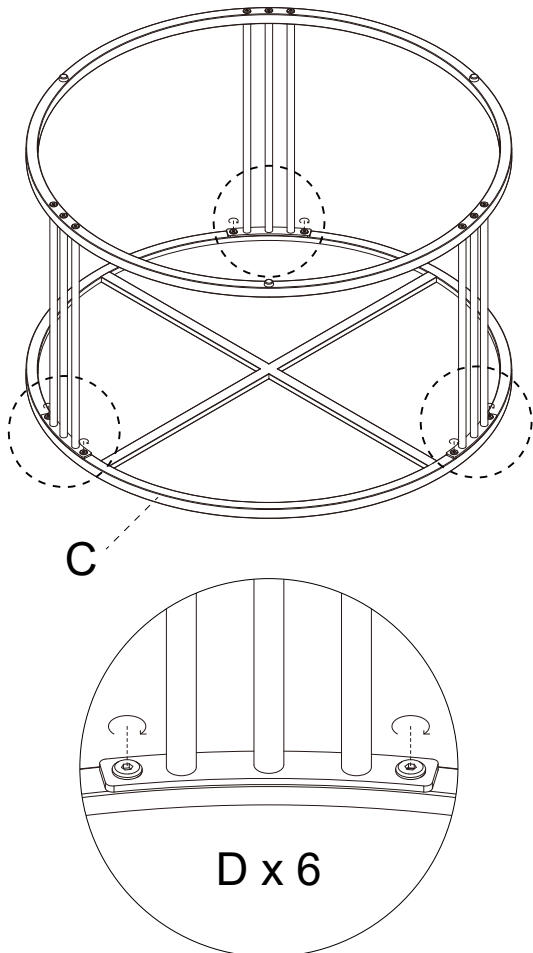
Step 1



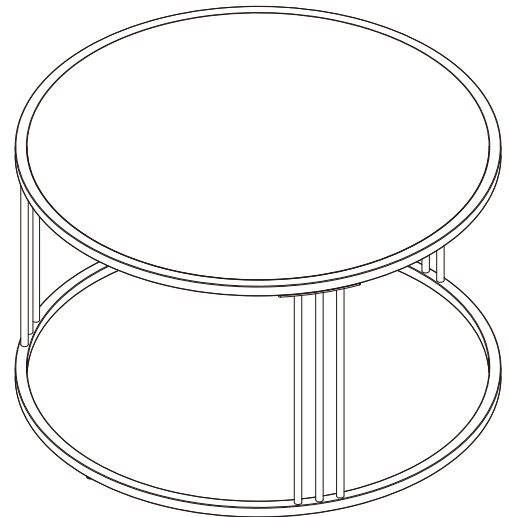
Step 2



Step 3



Step 4



Tighten all screws and turn it over to finish.



SCAN ME

<https://www.sumkea.com/p...ustomer-service>