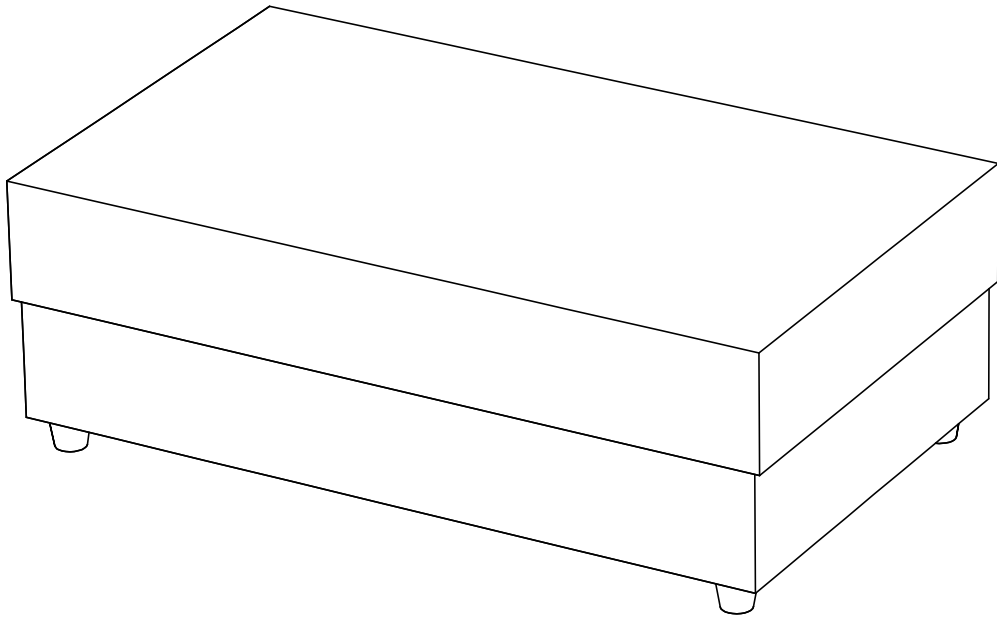


# INSTRUCTION



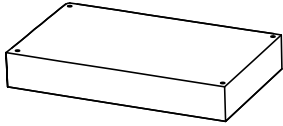
## Ottoman

**Notice:** As the cushions are vacuum-compressed, allow up to 72 hours for them to return to their original shape. To expedite this process, you may knead the cushions gently, similar to a massage, to facilitate air circulation through the foam. This will enhance the cushions' rebound and help them become fluffy. If there are any wrinkles, use an iron to gently smooth them out.



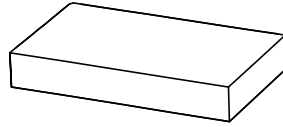
# PARTS LIST

**A** x1



Ottoman Frame

**B** x1



Ottoman Seat Cushion

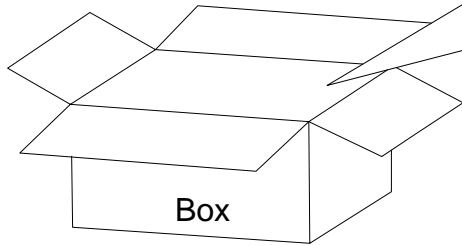
**C** x4



Leg

## Step1

Ship by 1 box



N719P211023



**A** x1

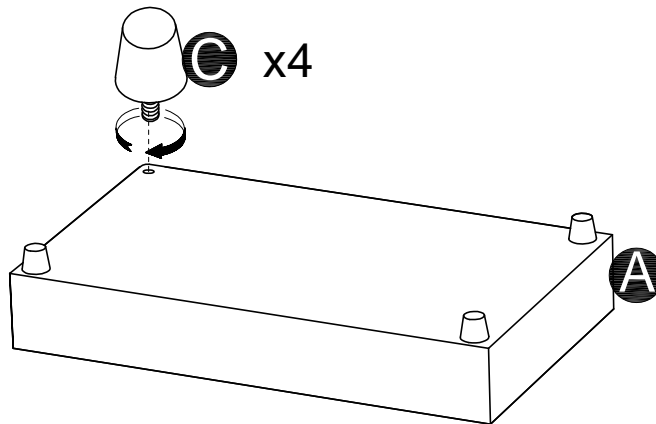


**B** x1



**C** x4

## Step2



## Step3

