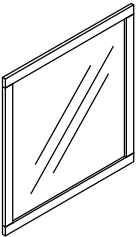

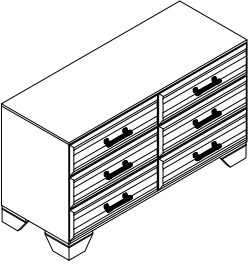


ASSEMBLY INSTRUCTION

**NOTE : THIS ITEM NOT RECOMMENDED FOR COMMERCIAL USE
KEEP THIS DOCUMENT FOR REFERENCE IN CASE PARTS ARE NEEDED**

DO NOT TIGHTEN SCREWS UNTIL COMPLETELY ASSEMBLED !!

HARDWARE LIST				
NO.		DESCRIPTION		QTY
1		BOLT	M6 x 35	8
2		SPRING WASHER	M8	8
3		FLAT WASHER	M6 x 13	8
4		ALLEN KEY	M4	1

PART LIST			
NO		DESCRIPTION	QTY
A		MIRROR	1
B		MIRROR SUPPORT	2
C		DRESSER	1