



Kindly Remind

**It is not easy to meet each other in such a big world
Thank You for Your Purchase!**

Dear Valued Customer,

If you encounter any issues, please contact us. Our support team is here to help.

E-mail us via : assemblehelp@163.com

Text us via : 9153393399

Please provide us below information when you contact us:

1. Purchase order number and platform
2. Problem details(including damage or missing parts number, problem picture)

Response Hours: In 24 hours

Return policy:

1. Save time and money: Don't return the product without contacting US
2. Don't open all packages if returning, use the original package for return
3. For quality issues, provide images or videos for a quick solution within 24 hours.

Easier Installation help: please use your mobile browser to scan the QR code below to watch the installation video.(Murphy bed Model : 2005)

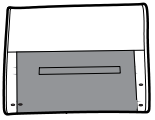


After-sales Service

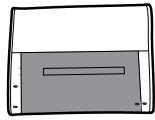


Installation Video

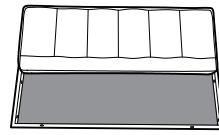




A1x1



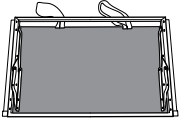
A2x1



Bx1



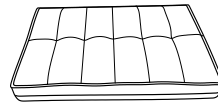
Cx1



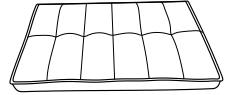
Dx1



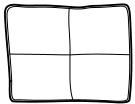
Ex1



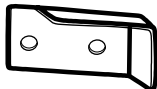
F1x1



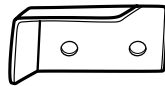
F2x1



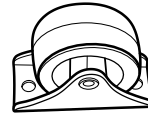
Gx2



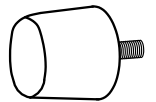
H1x1



H2x1



Ix4



Jx4



Kx1



M6x60

Lx4



M6x45

Mx4



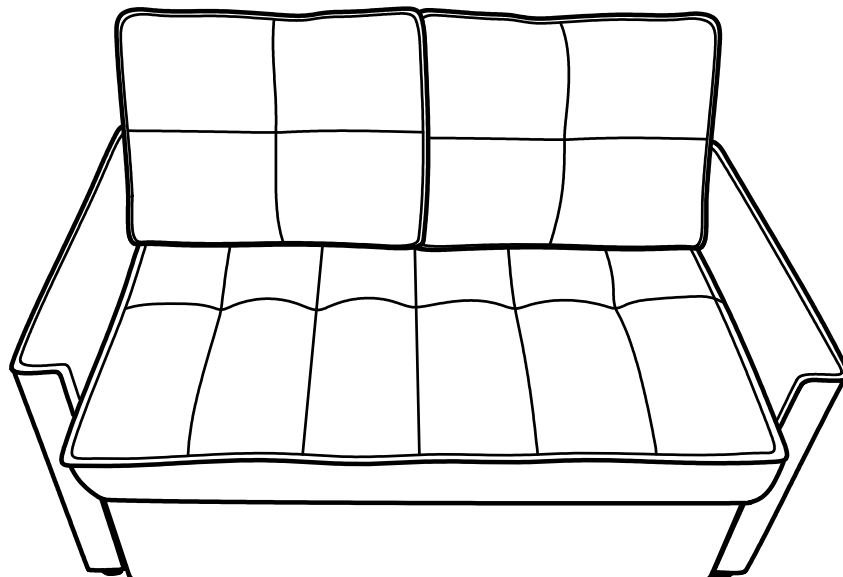
M6x35

Nx3

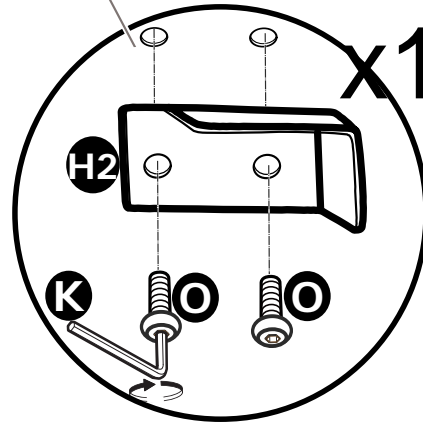
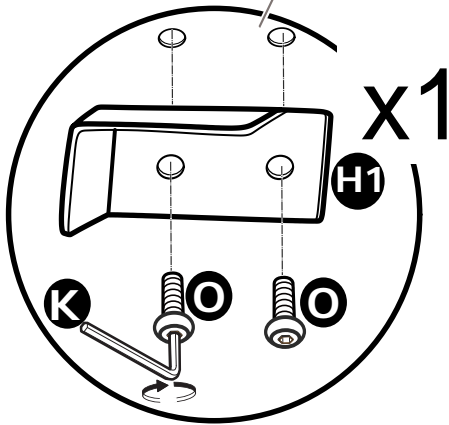
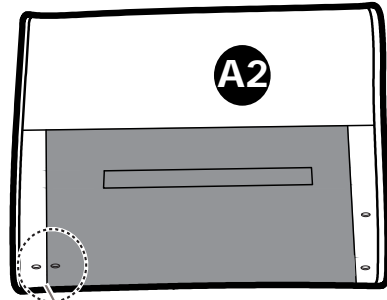
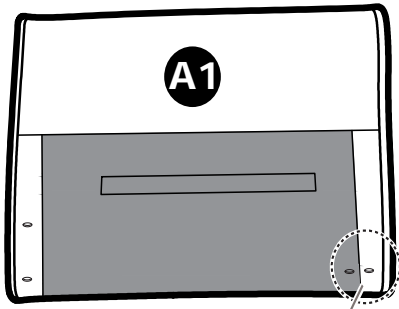


M6x20

Ox12

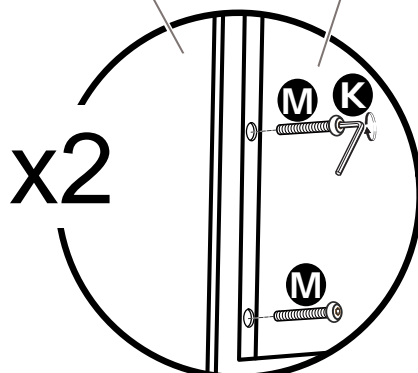
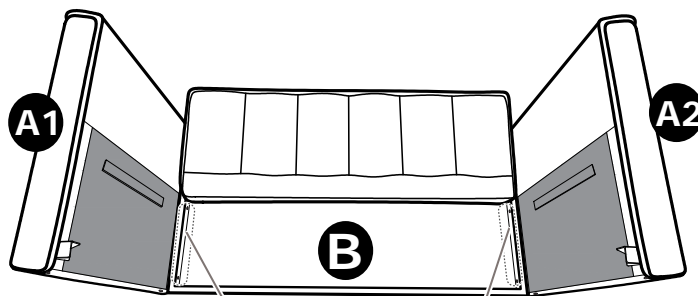
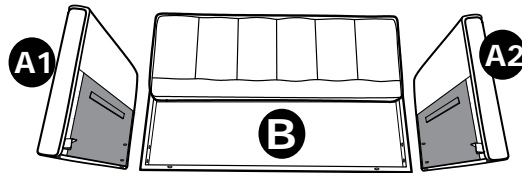


Step1 Install the door stop for the trailer



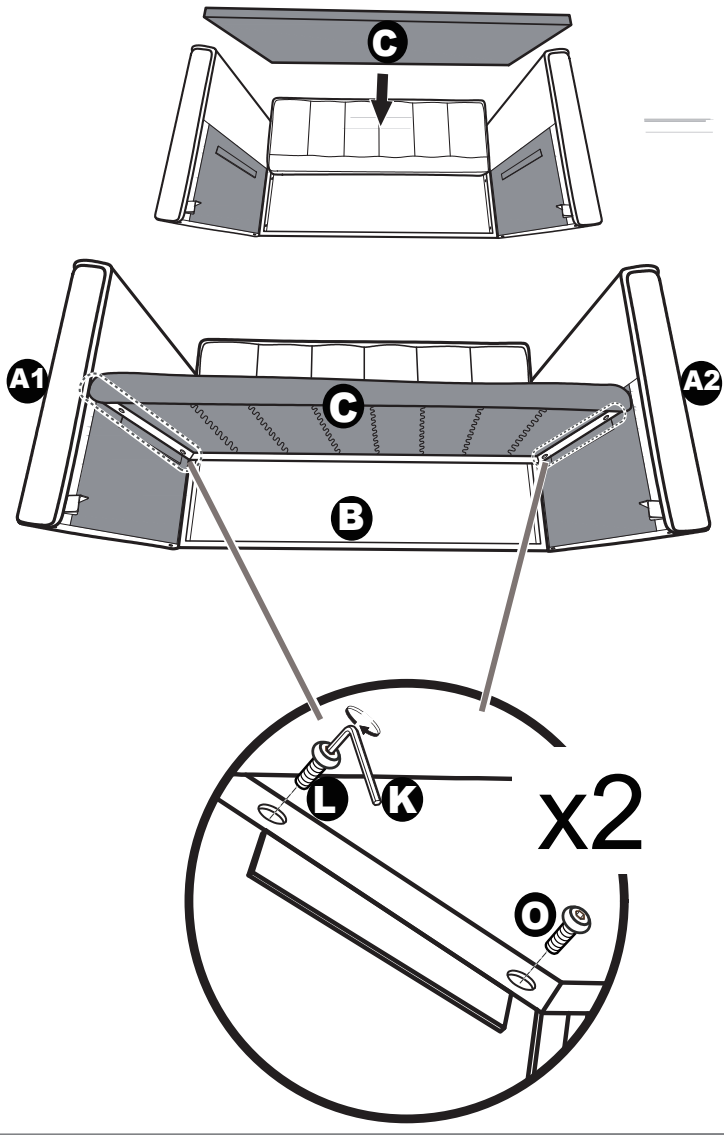
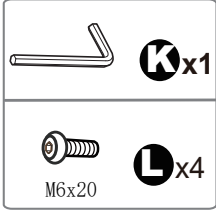
	H1 x1
	H2 x1
	K x1
	O x4
M6x20	

Step2 Connecting the armrest and backrest

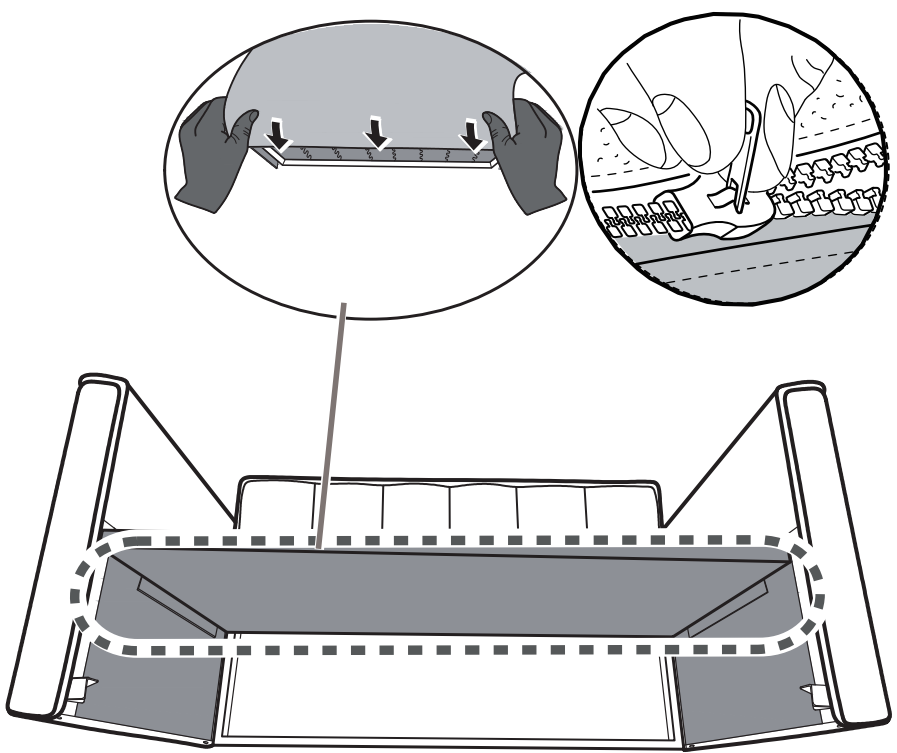


	K x1
	M x4
M6x45	

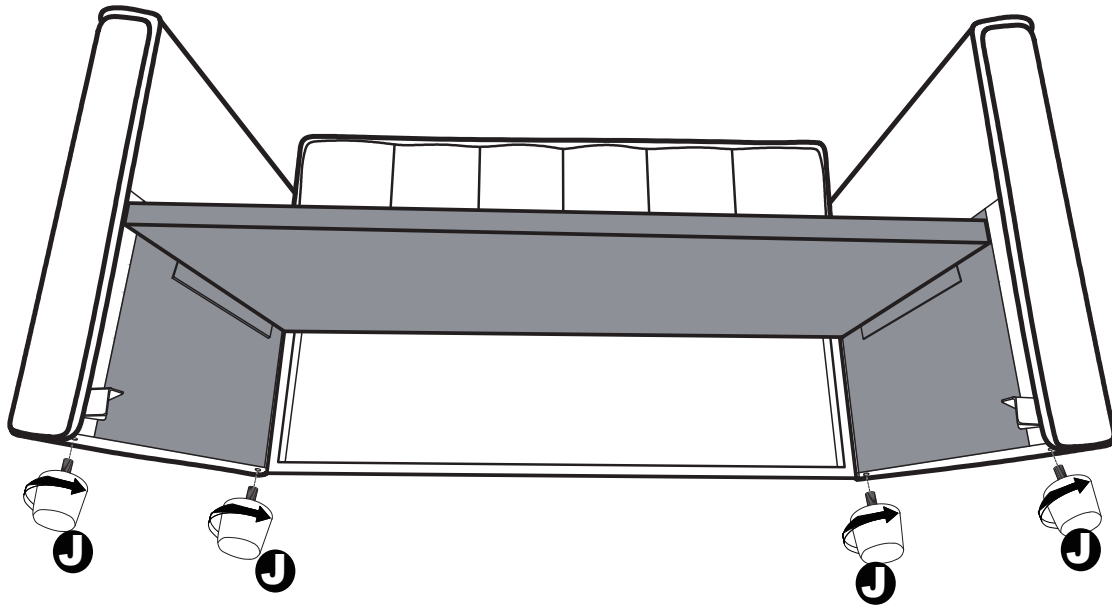
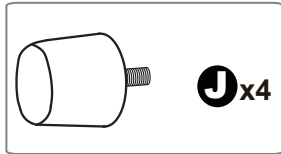
Step3 Install the Base Plate



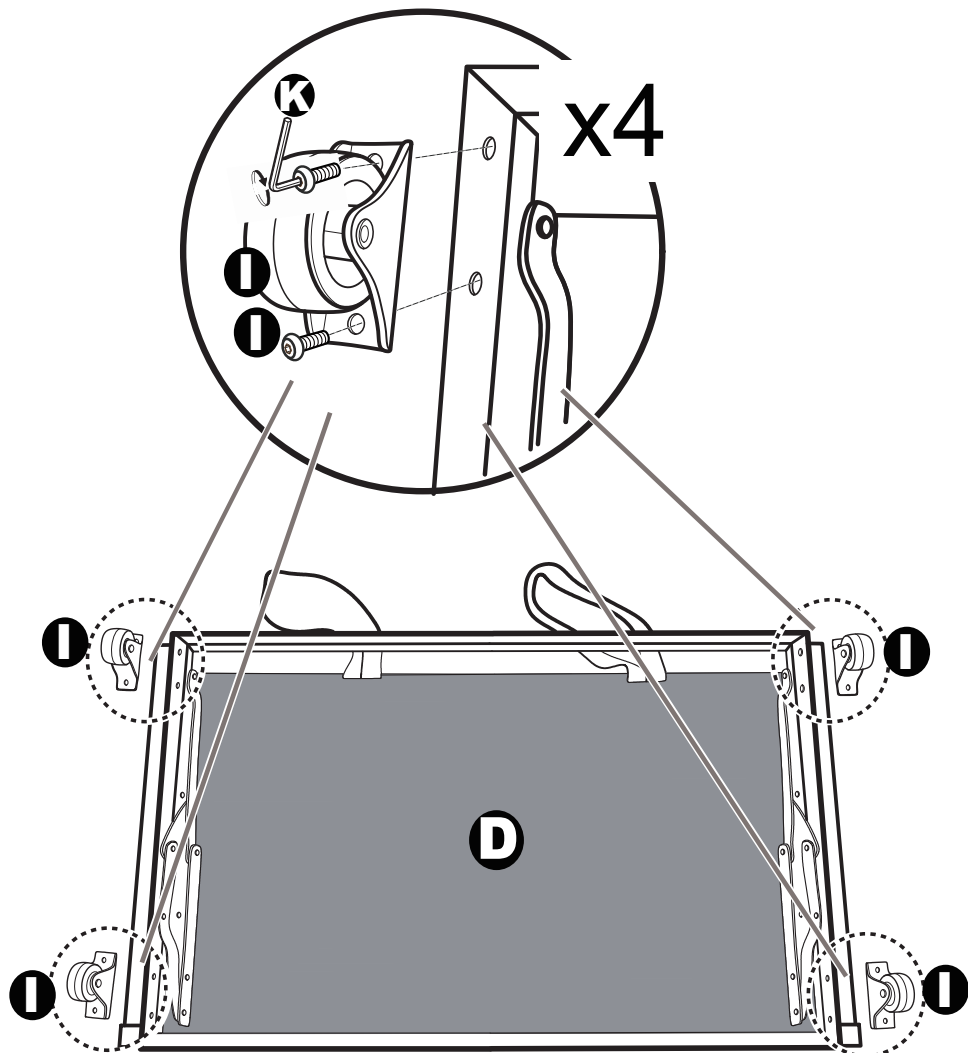
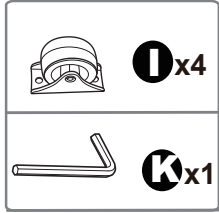
Step4 Install the Base Plate



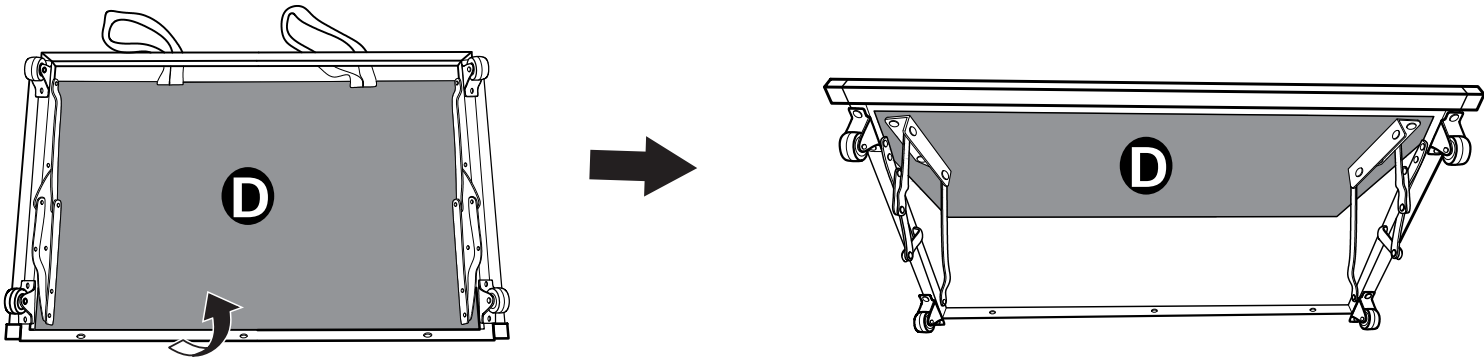
Step5 Install the sofa legs



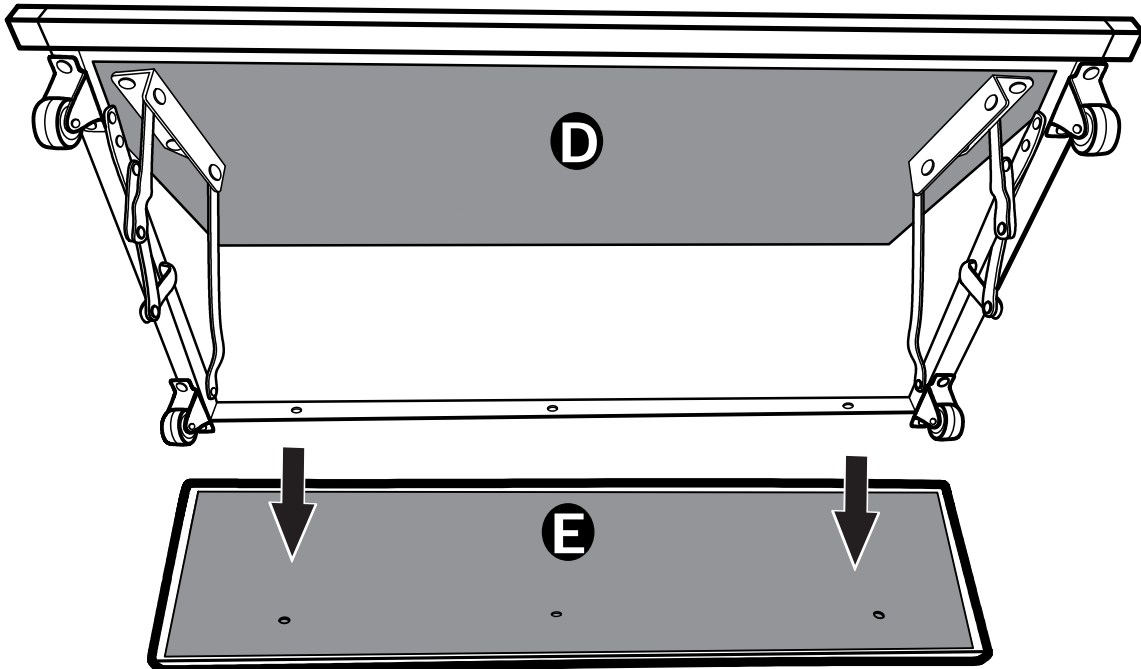
Step6 Install the bed rollers



Step7 Install the front apron of the dolly





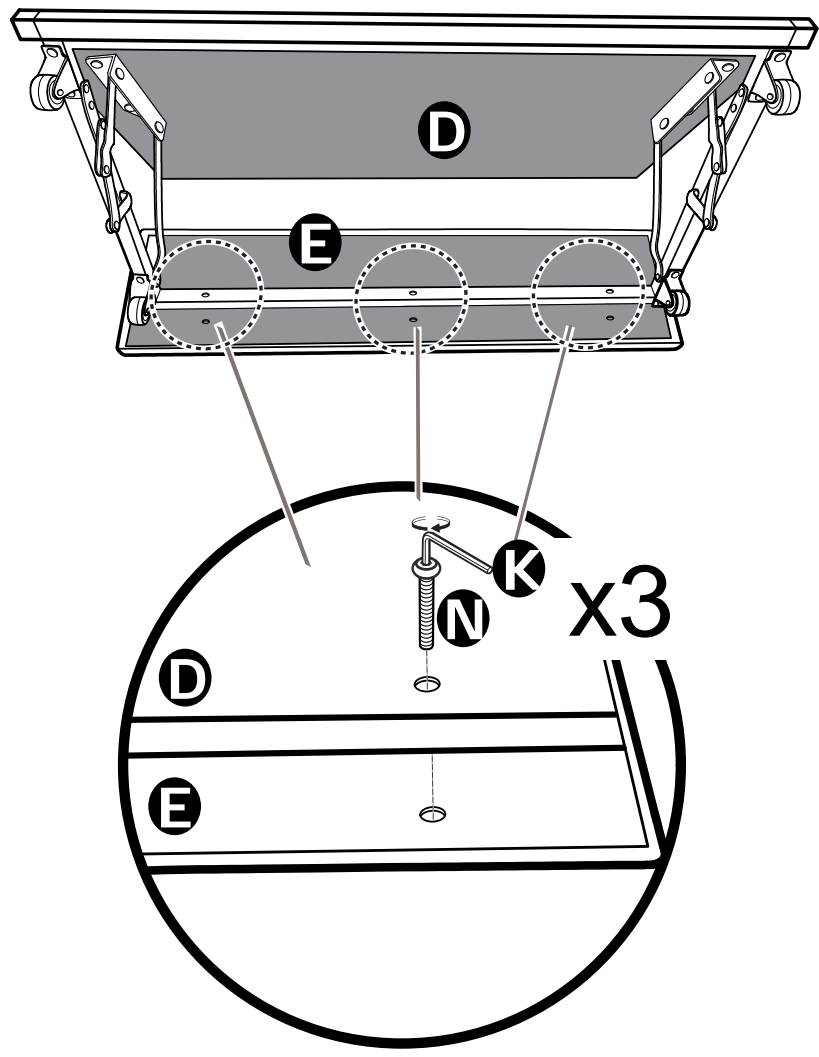
Step8 Install the front apron of the dolly



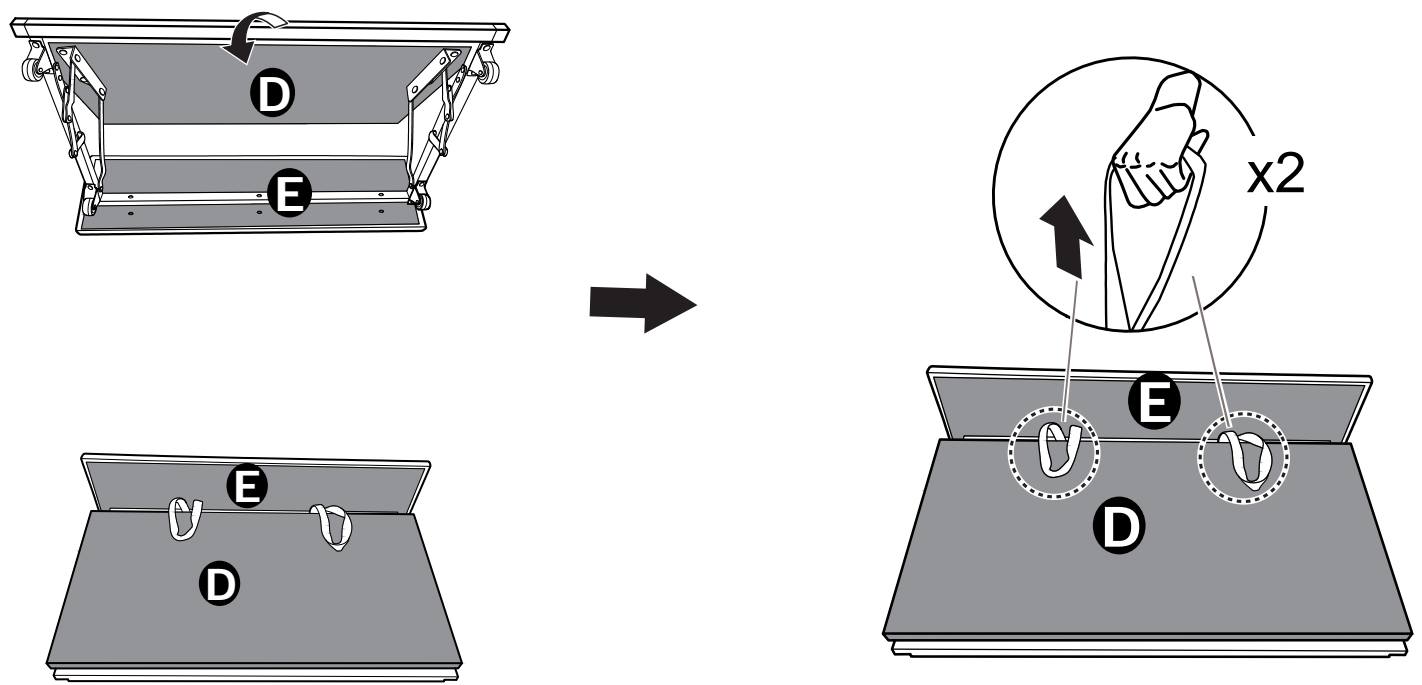
Step9

Install the front apron of the dolly

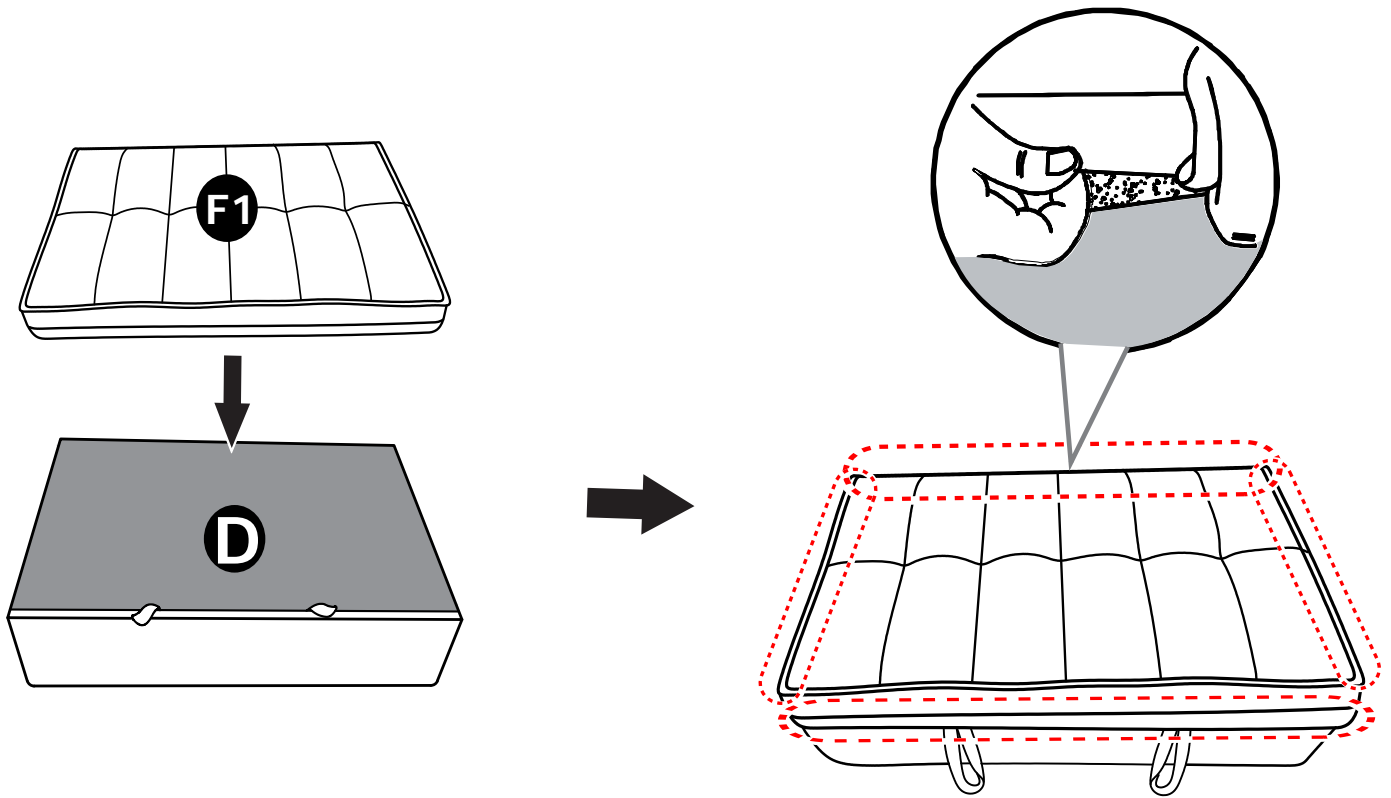
-  **K**x1
-  **N**x3
M6x35



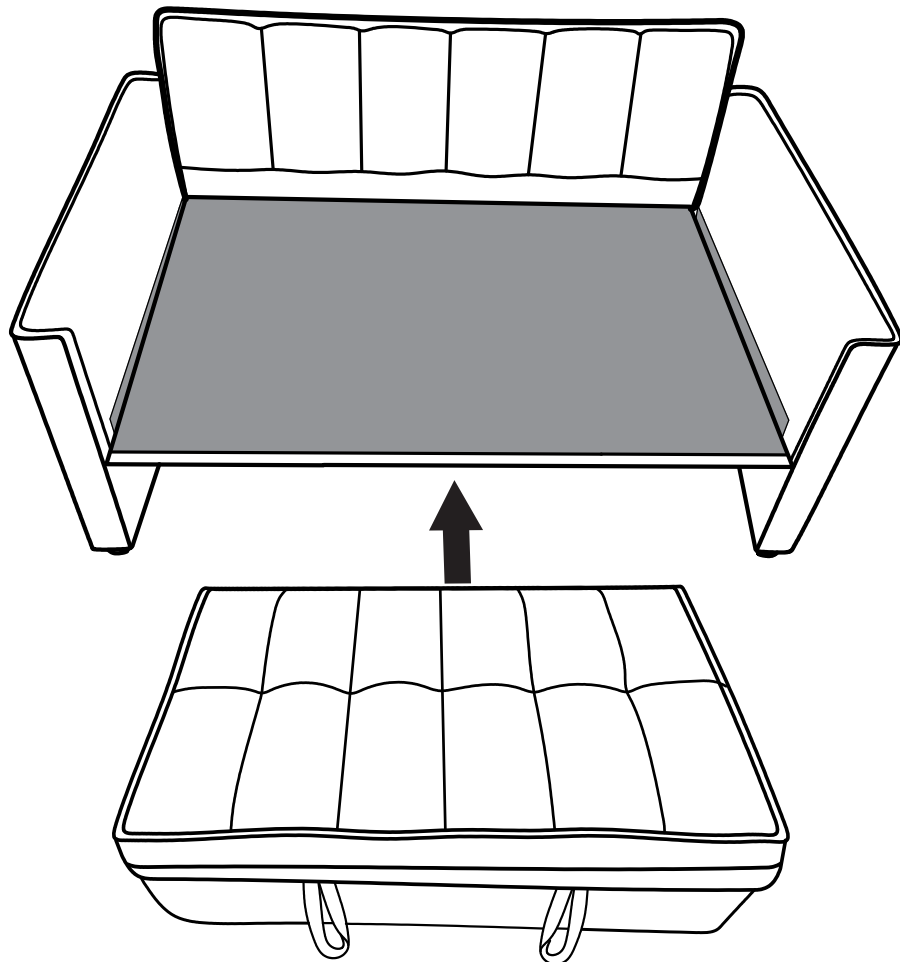
Step10



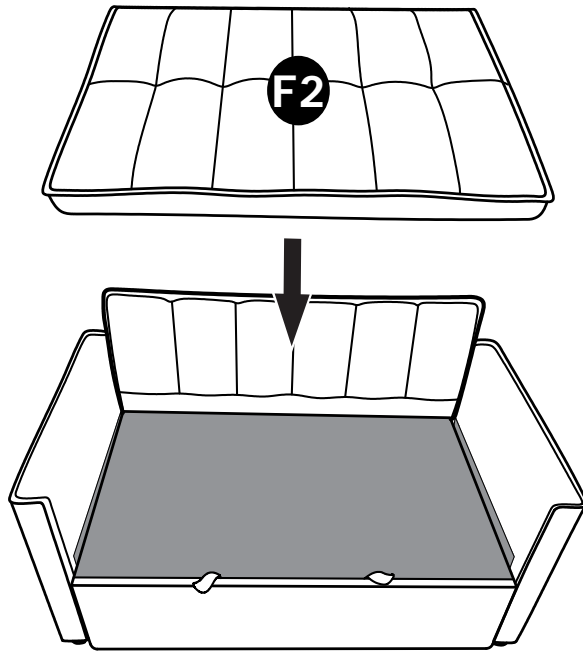
Step11 Install the cushion



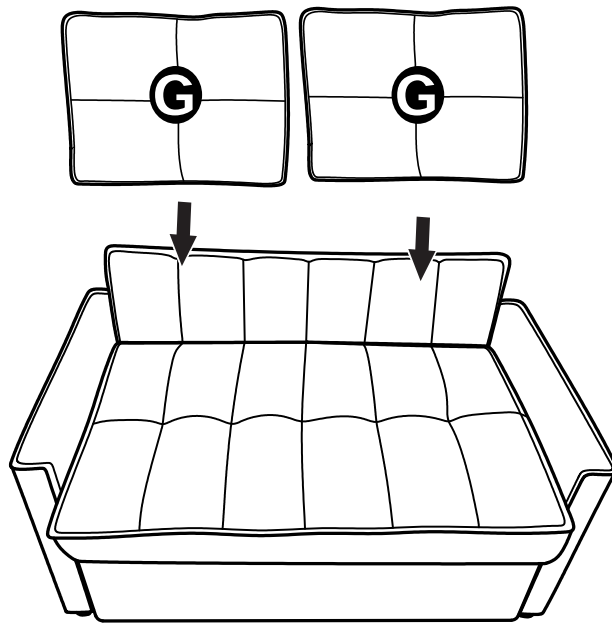
Step12 Install the cushion



Step13 Install the cushion



Step14 Install the cushion



Completed

