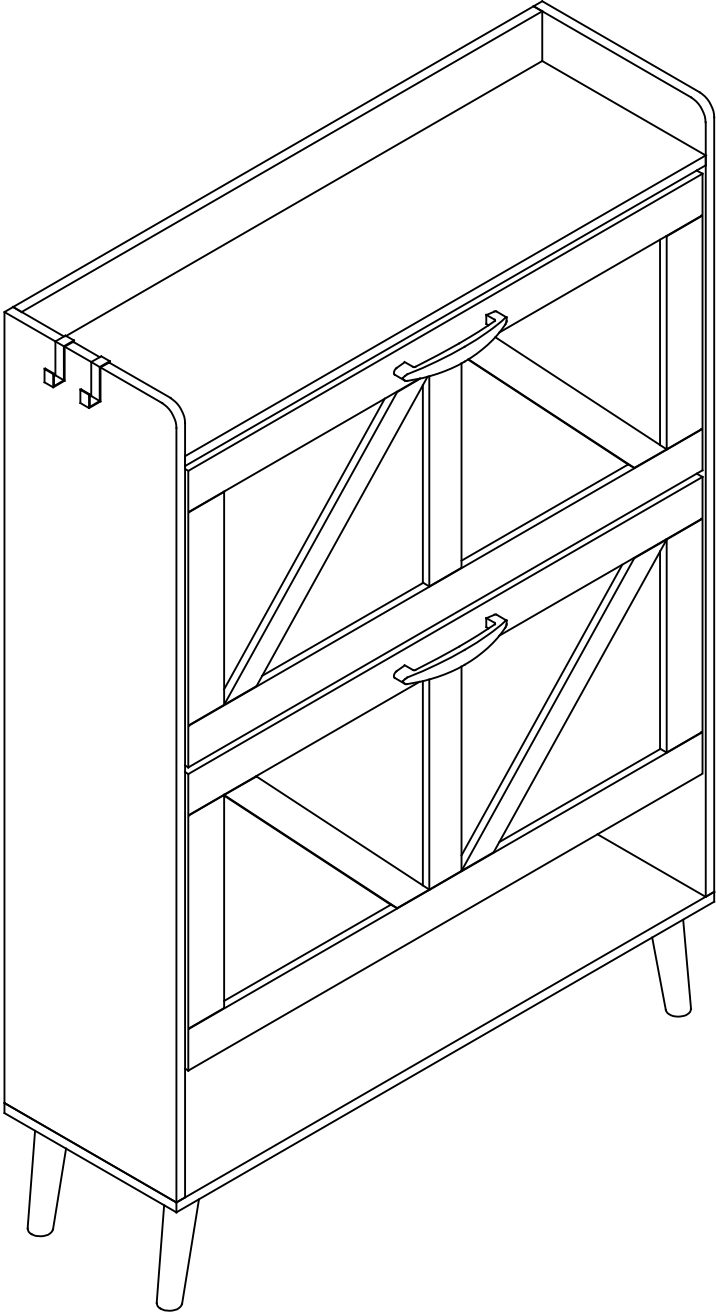


Tipper Shoe Cabinet

ASSEMBLY INSTRUCTIONS



General Guidelines

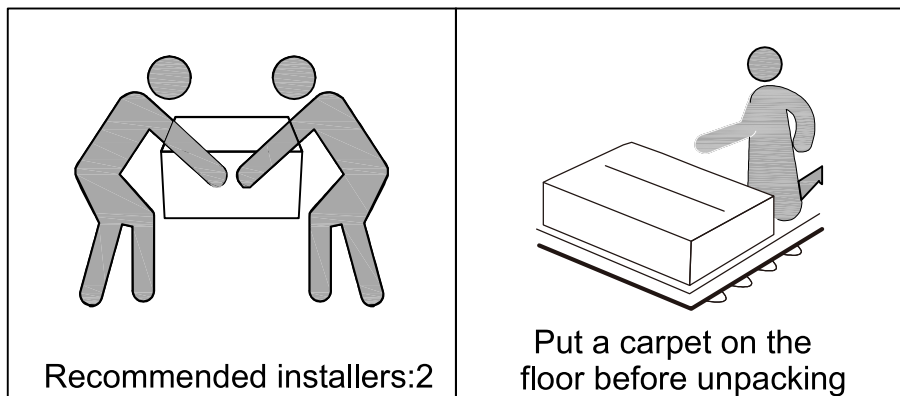
- * Please read the following instruction carefully and use the product accordingly.
- * Please keep this manual and hand it over when you transfer the product.
- * This summary may not include every detail of all variations and considered steps. Please contact us when further information and help are needed.

Notes

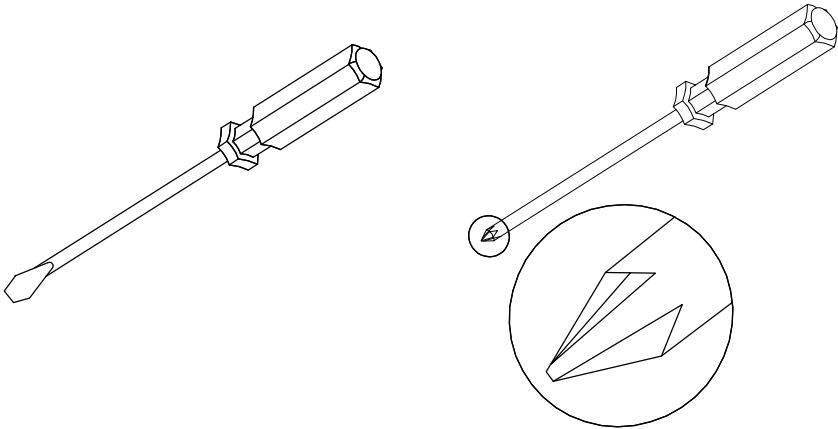
- * The product is intended for indoor use only. The product must be assembled and used in accordance with the provisions of the manual. Personal injury and/or damage to product may occur if products are used outside of their intended purposes and/or if products have been changed/modified from their original design. The seller does not assume any responsibility or liability with respect to any injury/damage caused by incorrect assembly or improper use.
- * If there are any defective or missing parts after unpacking, please cease assembly immediately and contact us.
- * Please wear gloves during the assembly and/or disassembly process to avoid scratches from any sharp edges..
- * Please place this item on level, solid ground during use.
- * Avoid long-term exposure to humid environments to prevent mildew.
- * Keep the product away from fire sources and high temperatures. Do not expose the product to direct sunlight.
- * Do not place any hot objects on the surface of the product.
- * **Do not fully tighten the screws during initial assembly. Fully tighten screws only once all pieces which are correctly assembled**

Warnings

- * Children are not allowed to assemble the product. During assembly, keep all any small parts out of the reach of children as they may be fatal if swallowed or inhaled.
- * Children are forbidden to climb or play on the product to avoid serious bodily injury caused by the toppling.
- * Keep plastic packing bags out of reach of children to avoid any potential danger, such as suffocation.
- * The product should be attached to the wall with the included anti-tipping kit to prevent personal injury caused by accidentally tipping over.



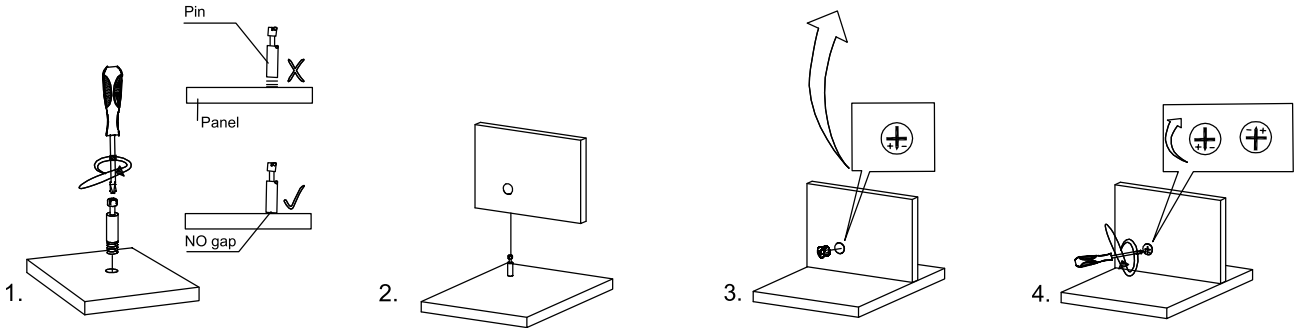
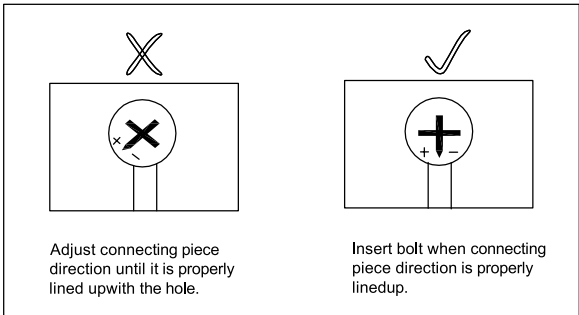
ASSEMBLY TOOLS REQUIRED (NOT INCLUDED)



Bolt

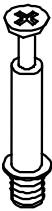


Connecting piece



Hardware Provided

1



X 12+1

2



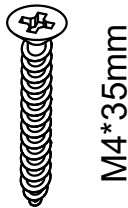
X 12+1

3



X 14+1

4



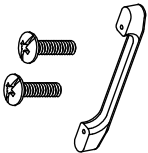
X 8

5



X 24+2

6



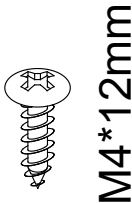
X 2

7



X 4

8



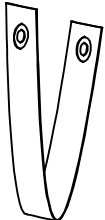
X 22+2

9



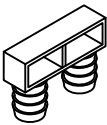
X 2

10



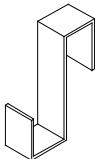
X 2

11



X 4

12



X 2

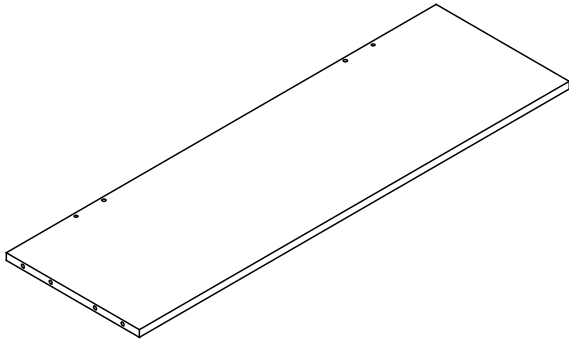
13



X 4

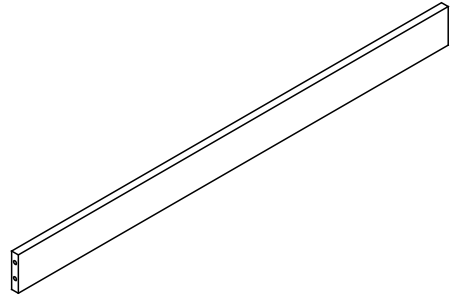
Parts Identification

A



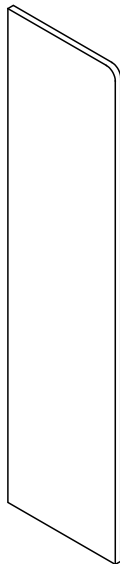
X 1

B



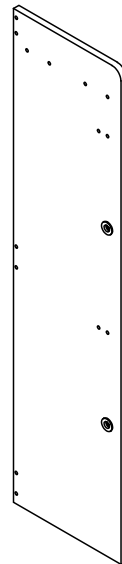
X 1

C



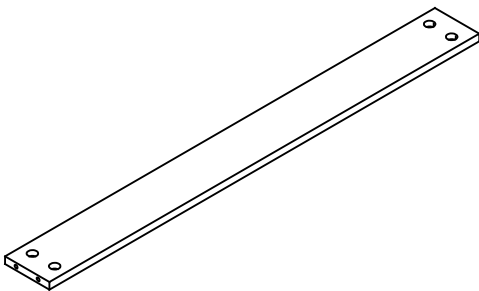
X 1

D



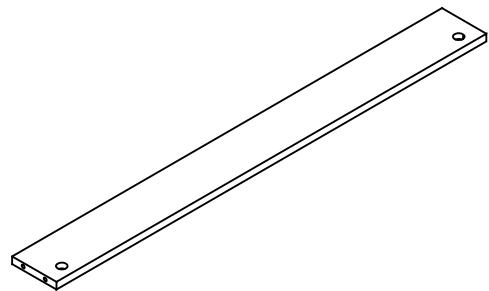
X 1

E



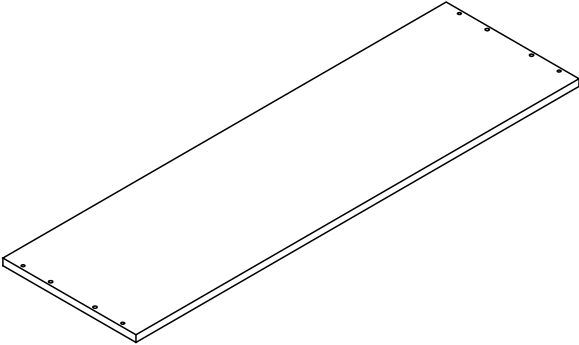
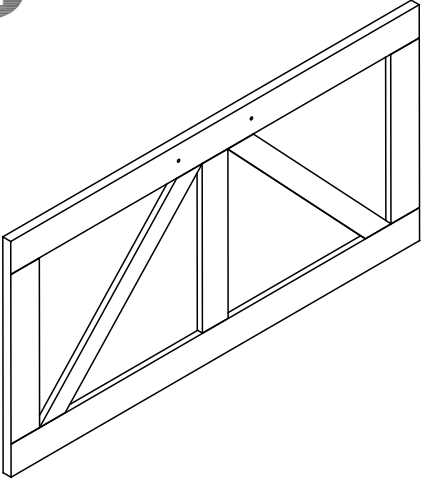
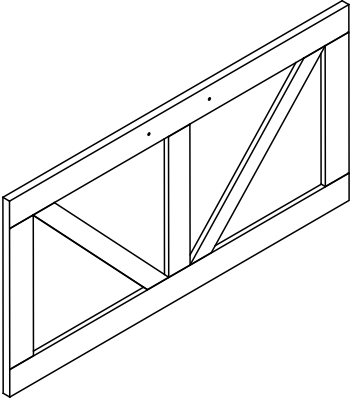
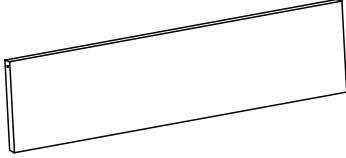
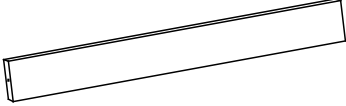
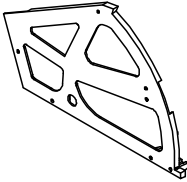

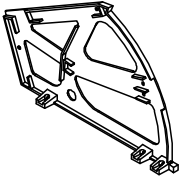
X 1

F

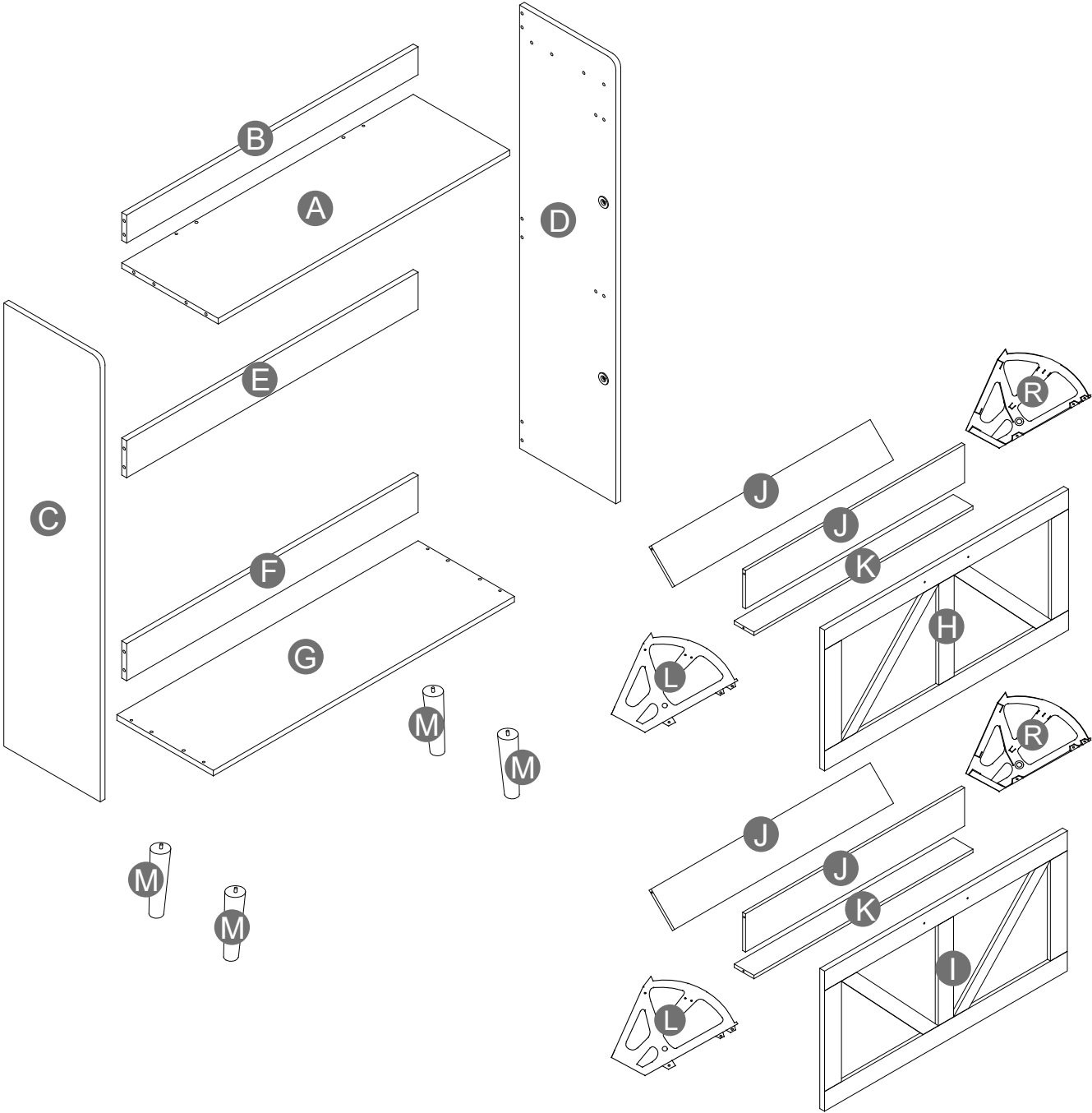


X 1

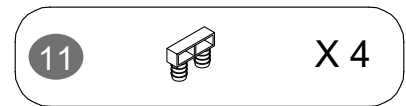
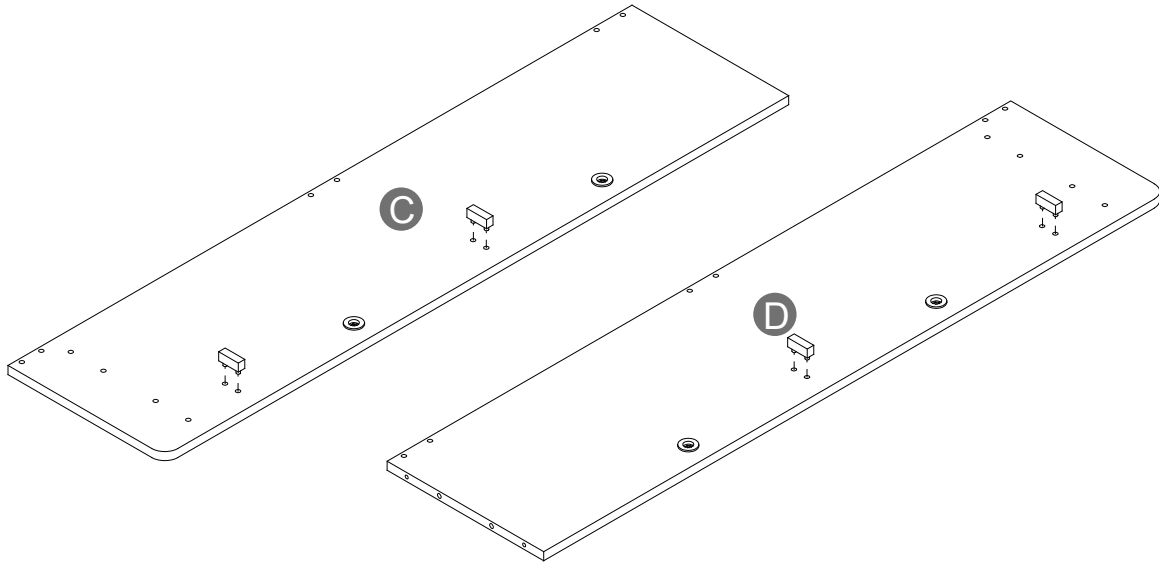
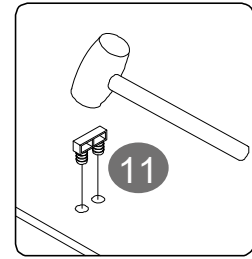
Parts Identification

<p>G</p>  <p>X 1</p>	<p>H</p>  <p>X 1</p>	
<p>I</p>  <p>X 1</p>	<p>J</p>  <p>X 4</p>	<p>K</p>  <p>X 2</p>
<p>L</p>  <p>X 2</p>	<p>M</p>  <p>X 4</p>	<p>R</p>  <p>X 2</p>

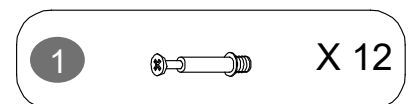
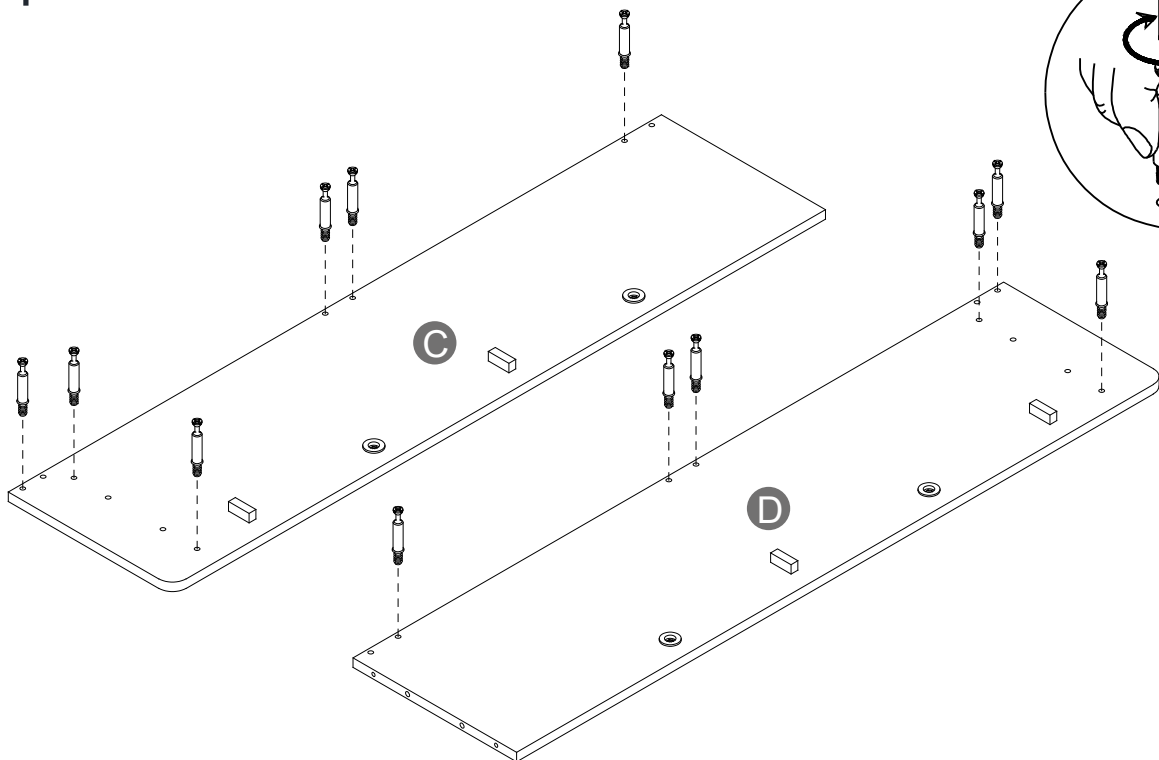
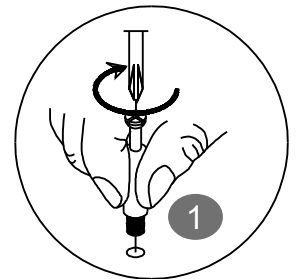
Exploded View



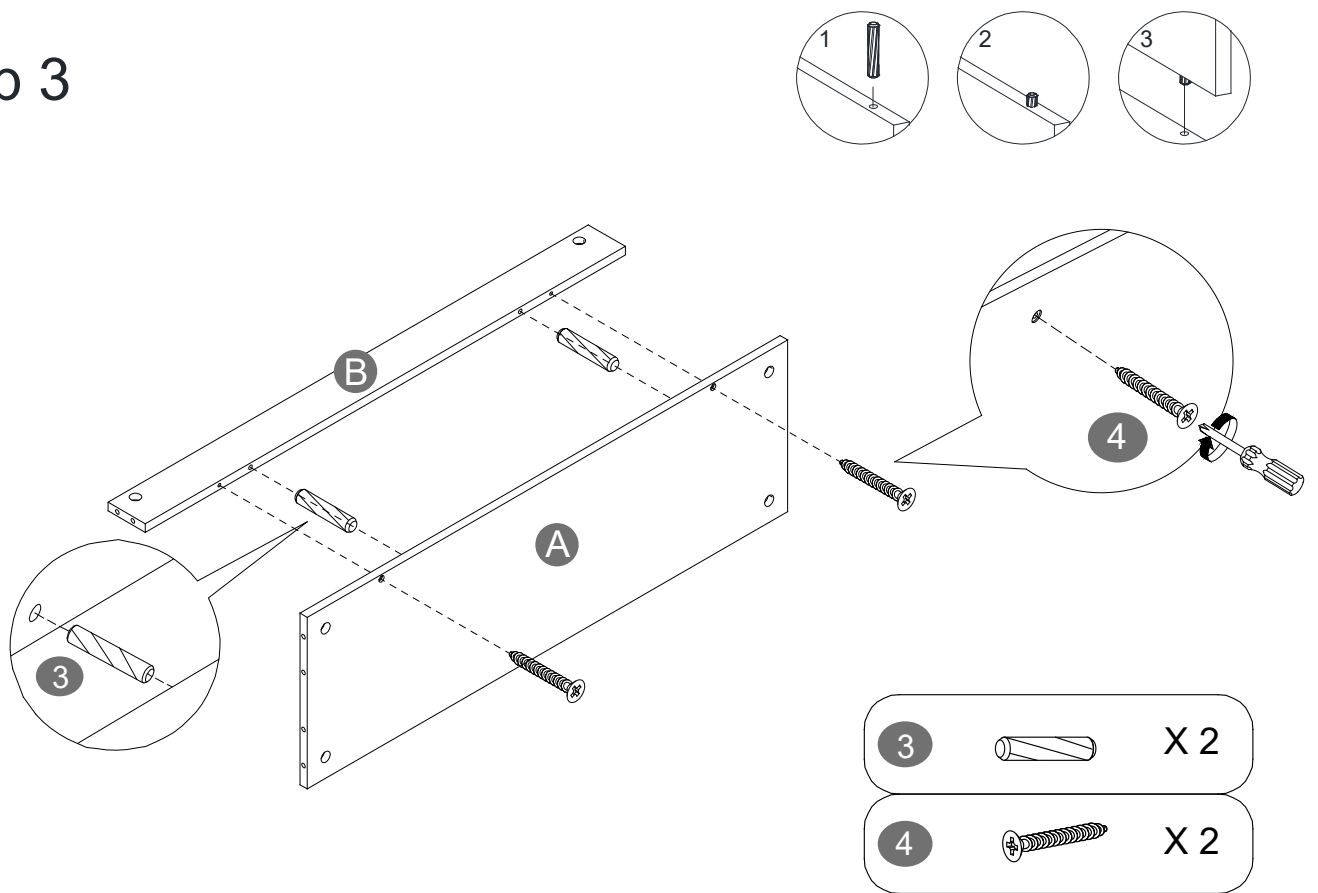
Step 1



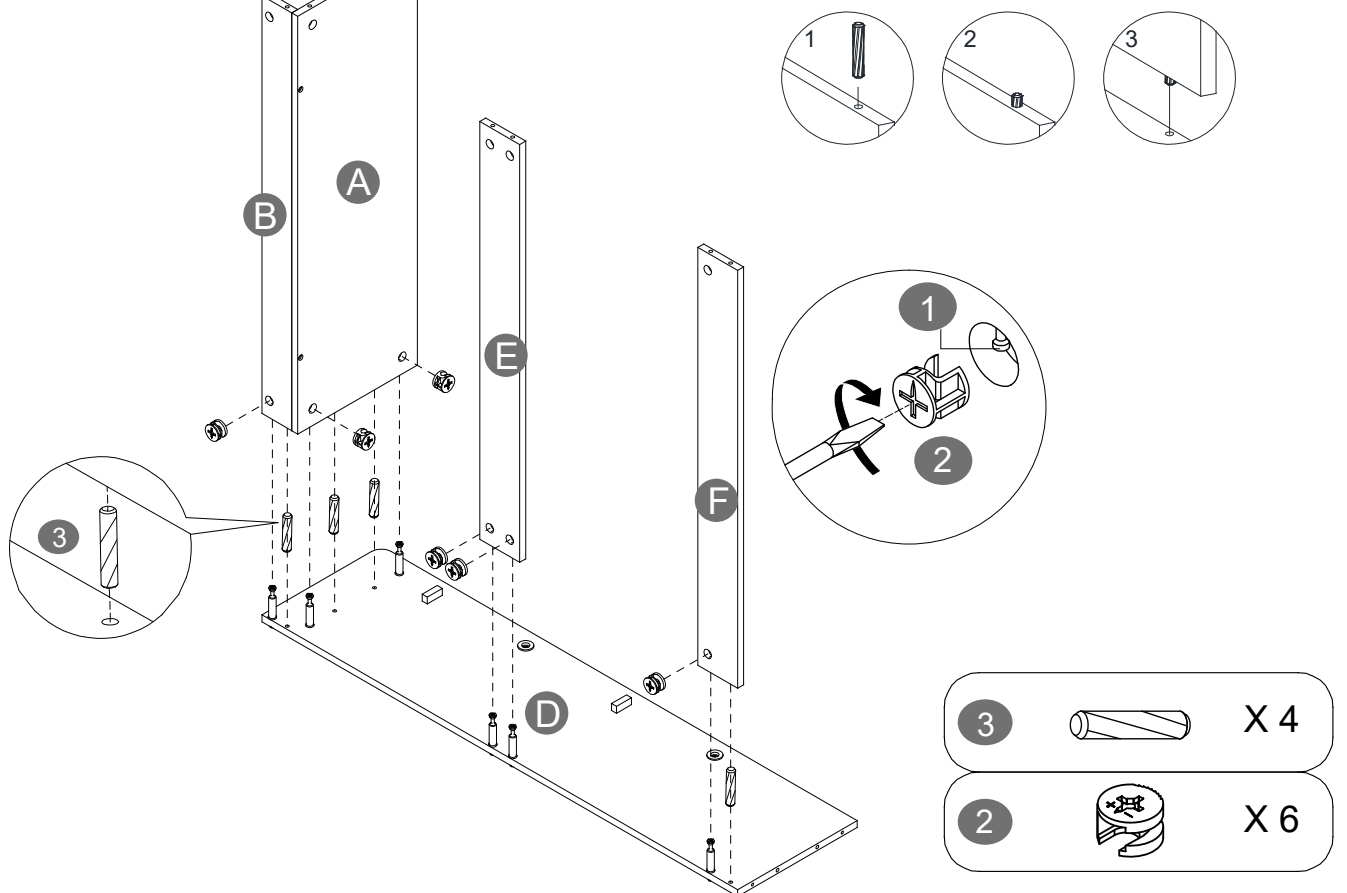
Step 2



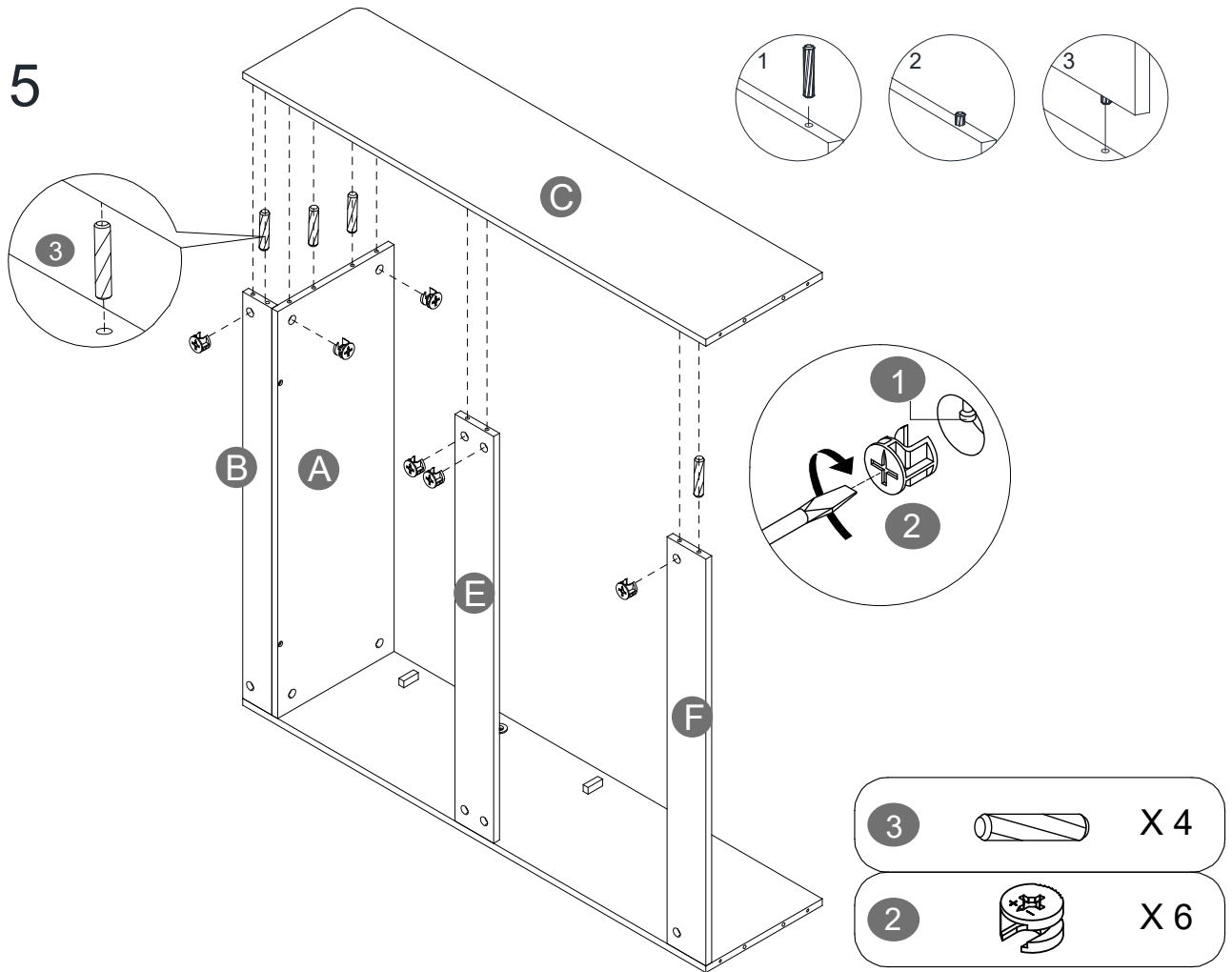
Step 3



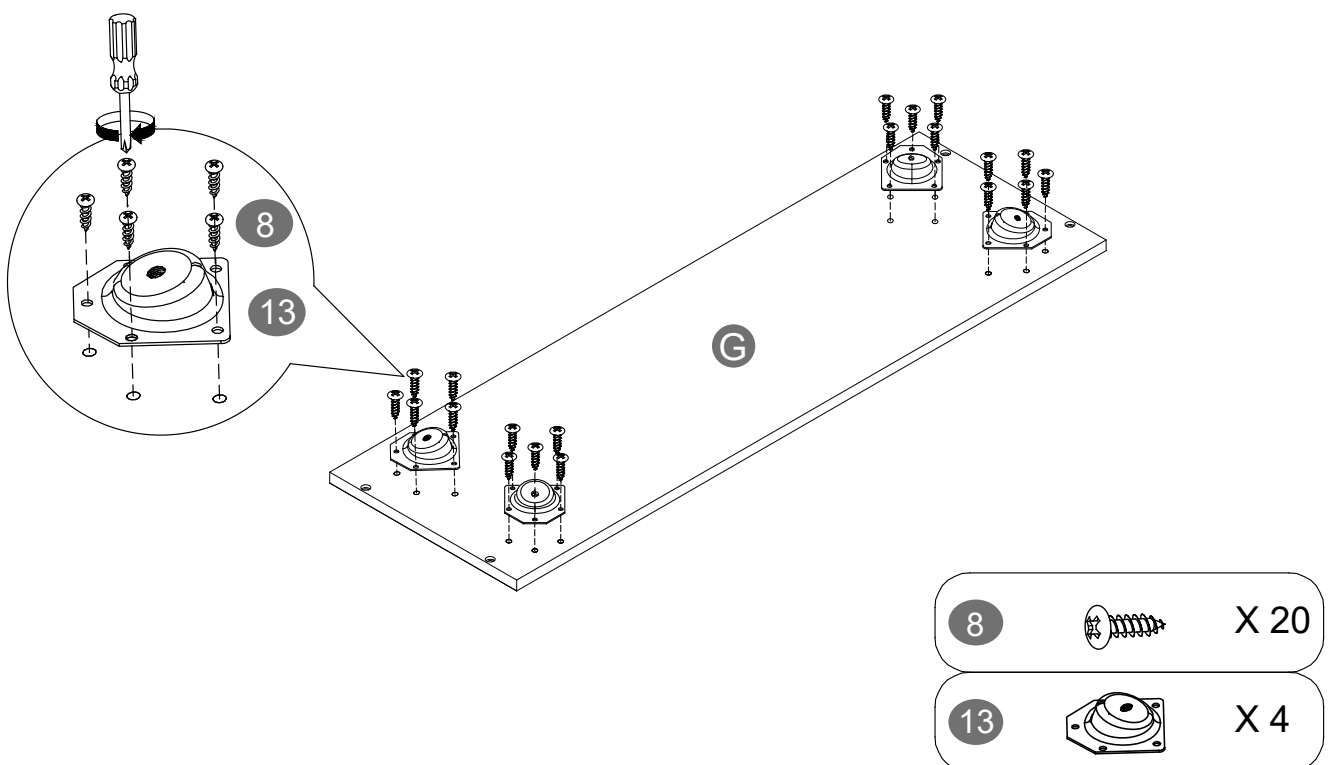
Step 4



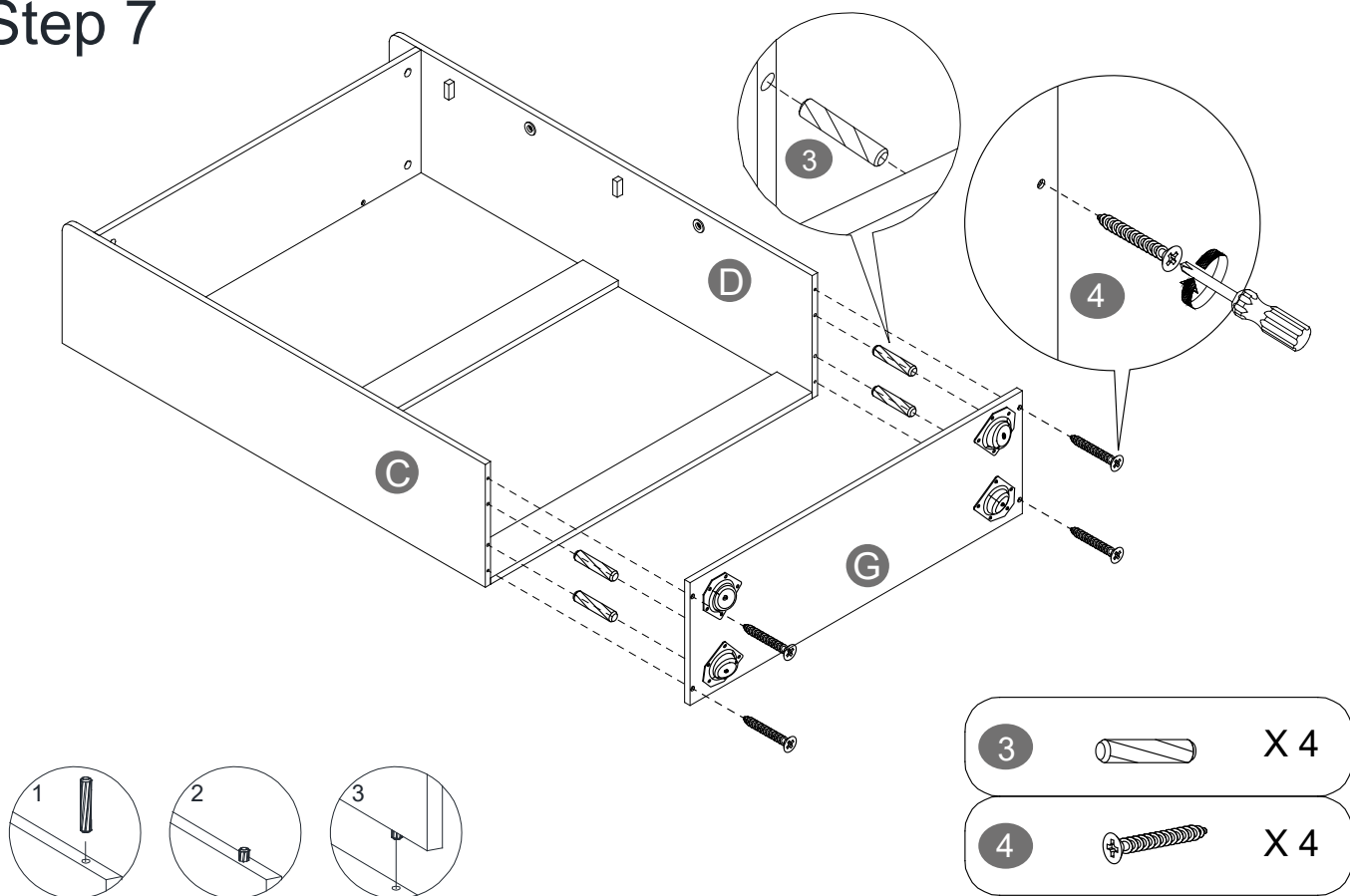
Step 5



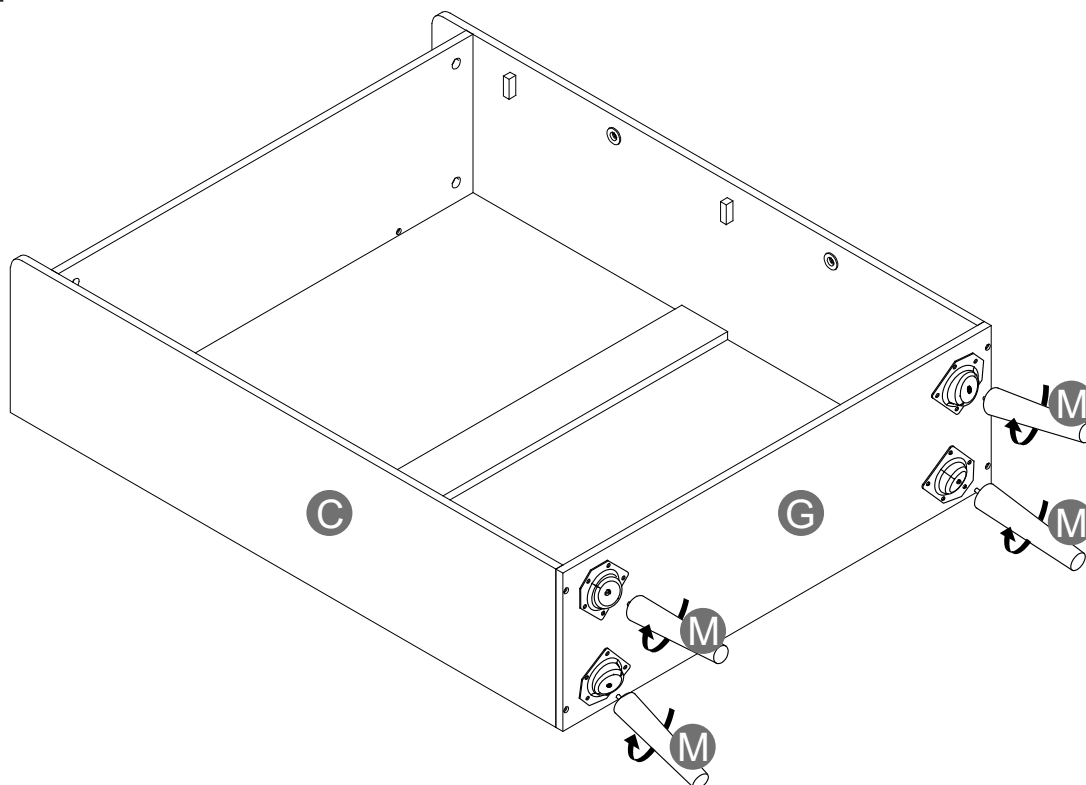
Step 6



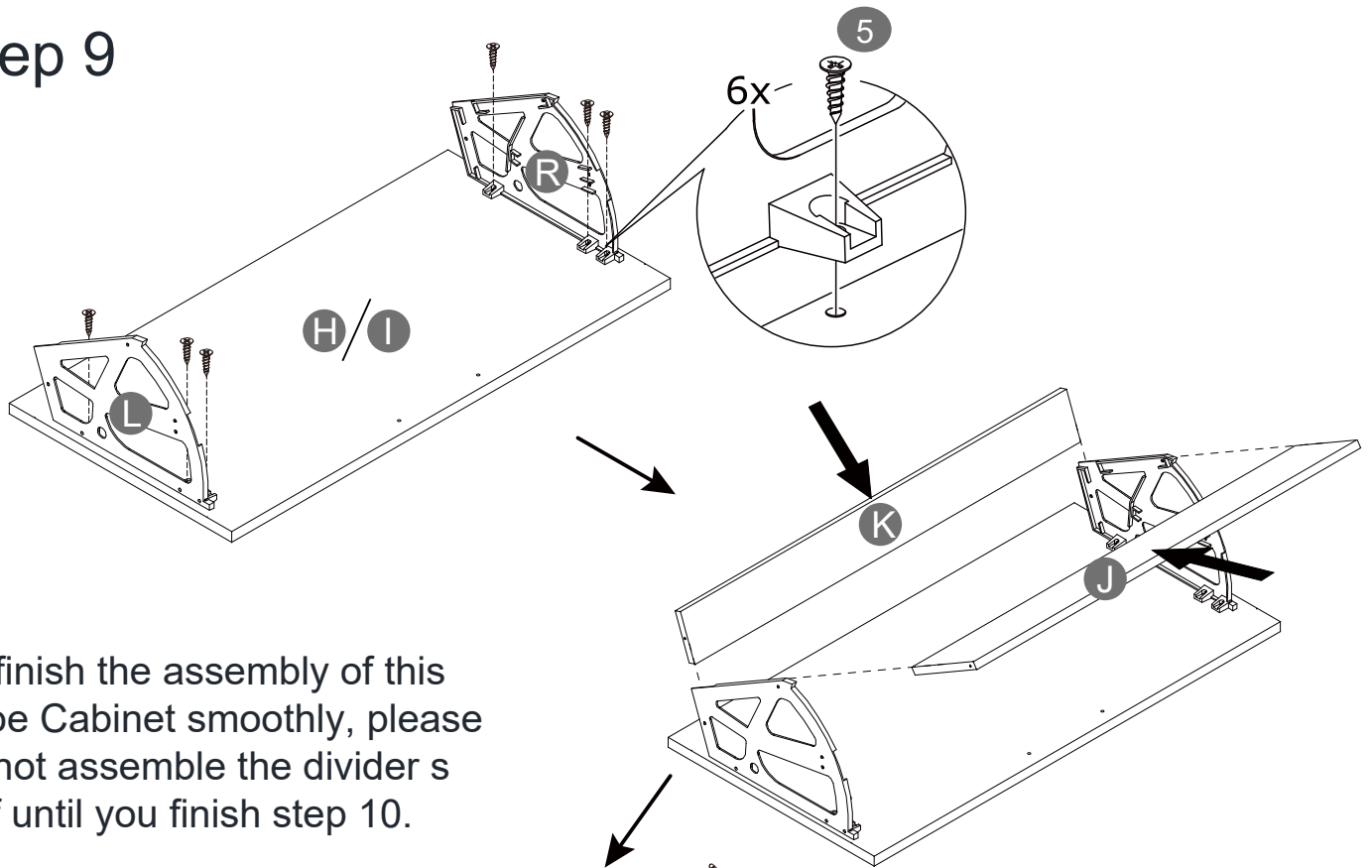
Step 7



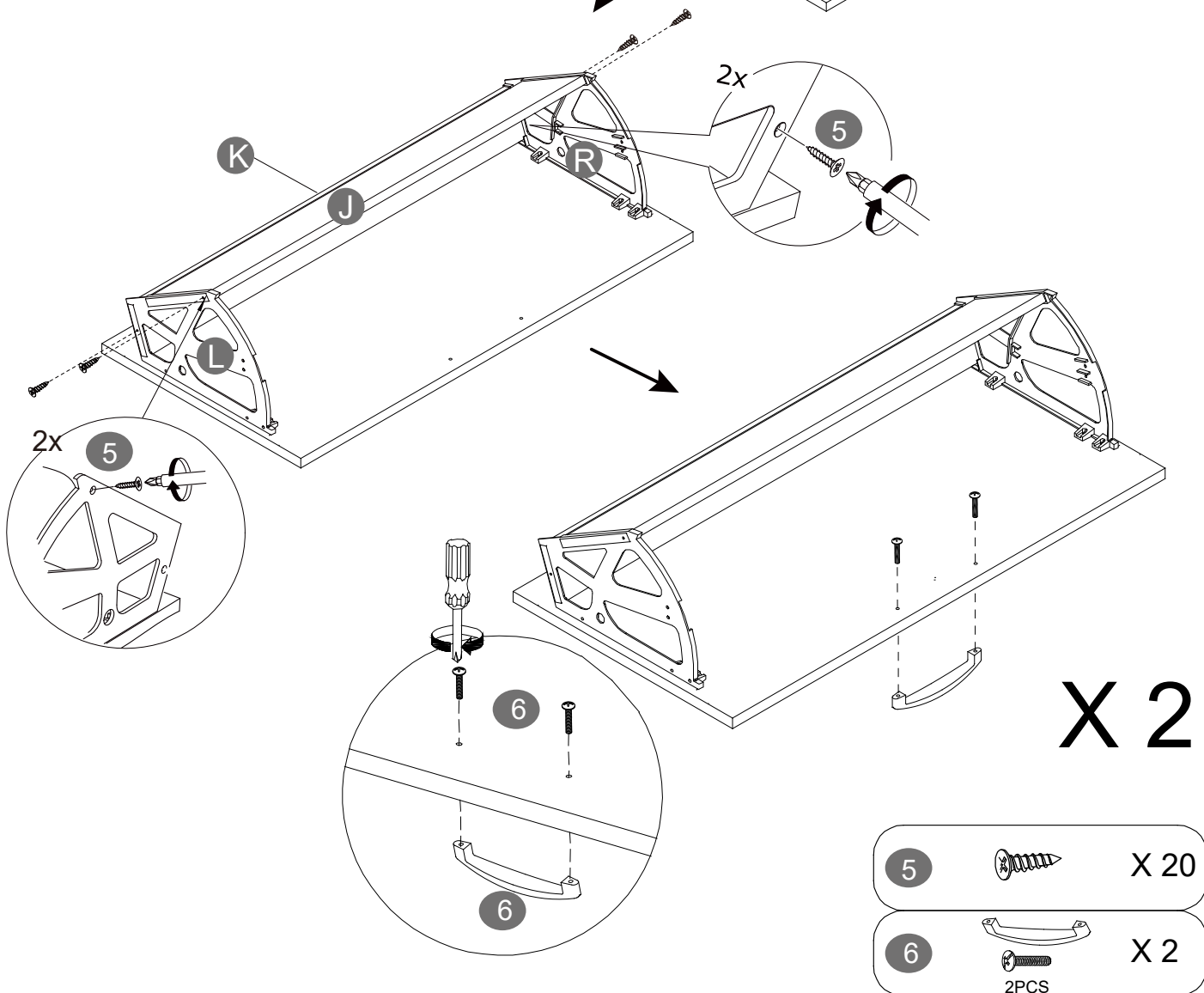
Step 8



Step 9

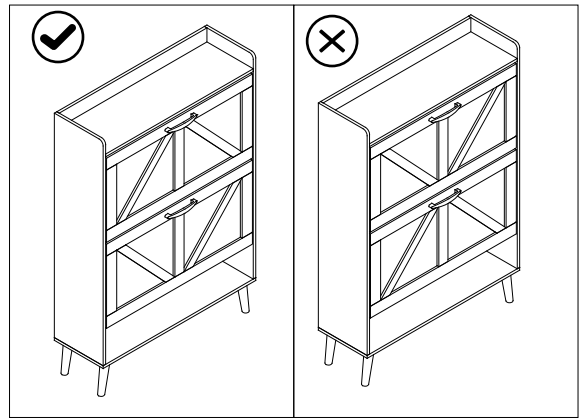
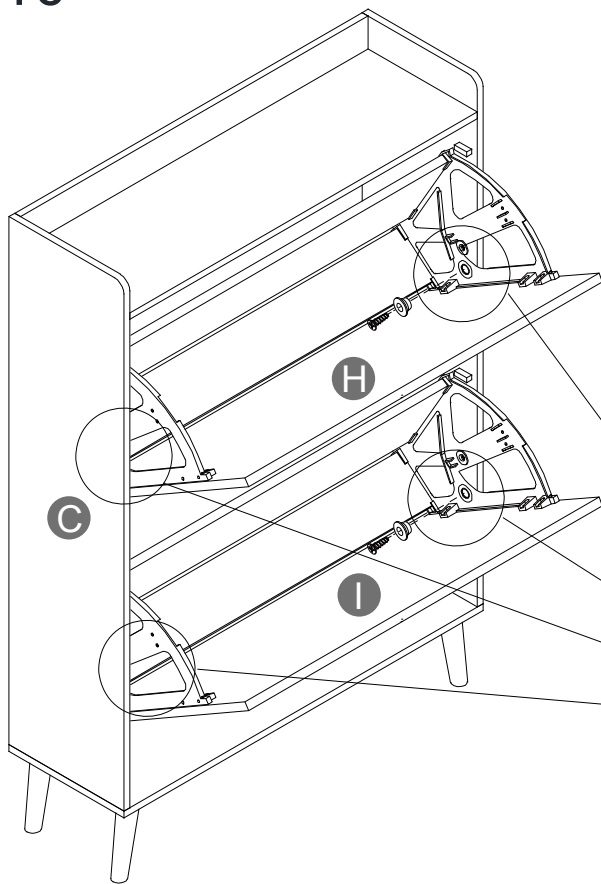


To finish the assembly of this Shoe Cabinet smoothly, please do not assemble the divider shelf until you finish step 10.

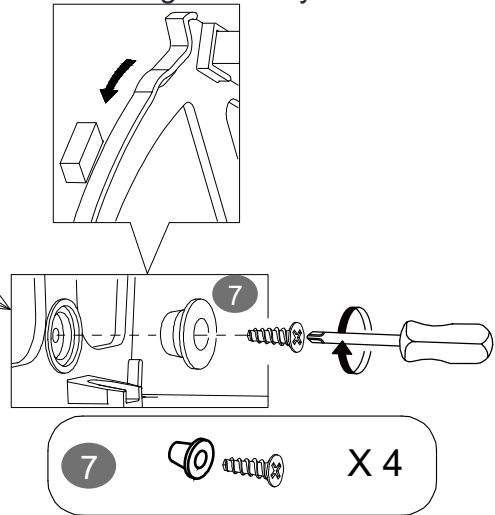


5		X 20
6		X 2
		2PCS

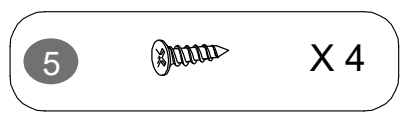
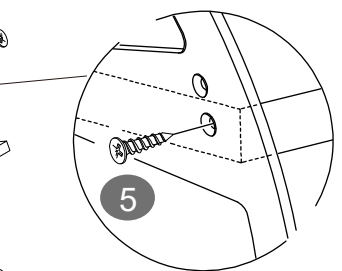
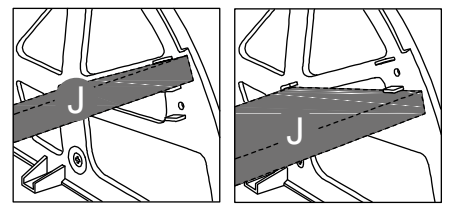
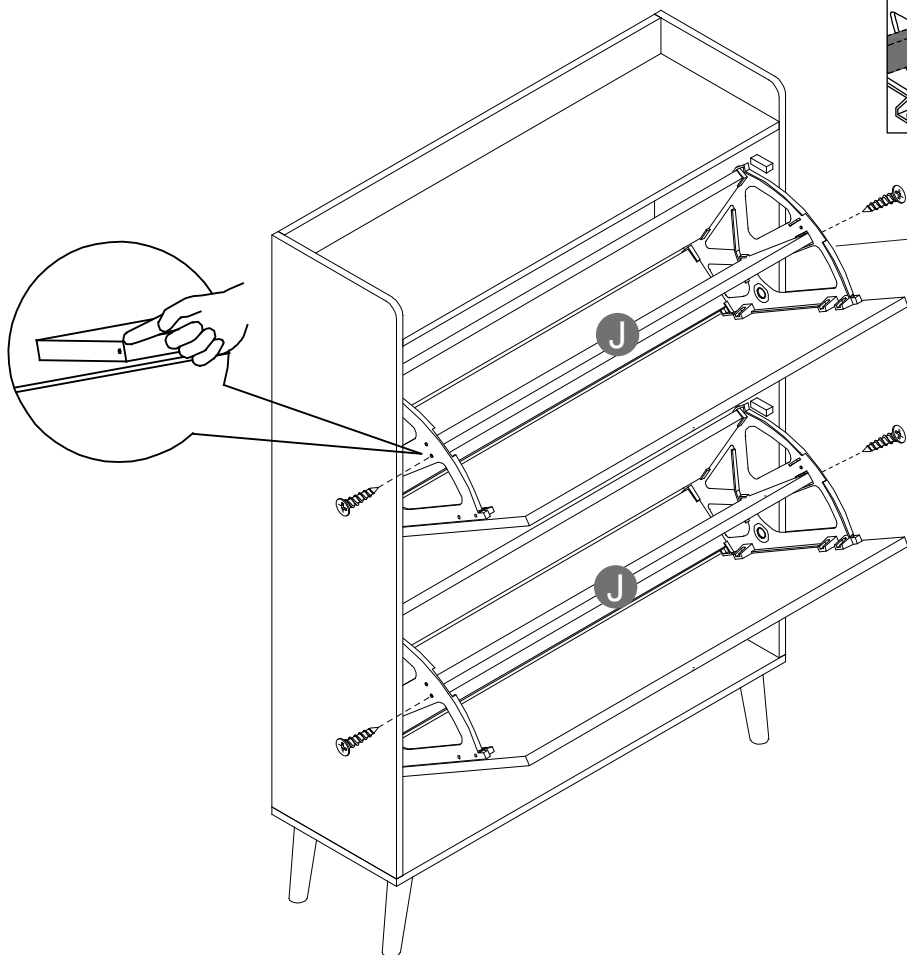
Step 10



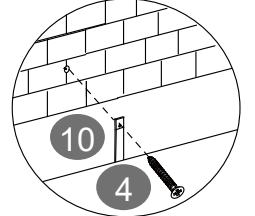
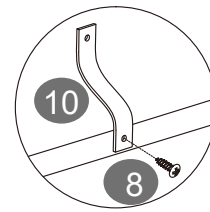
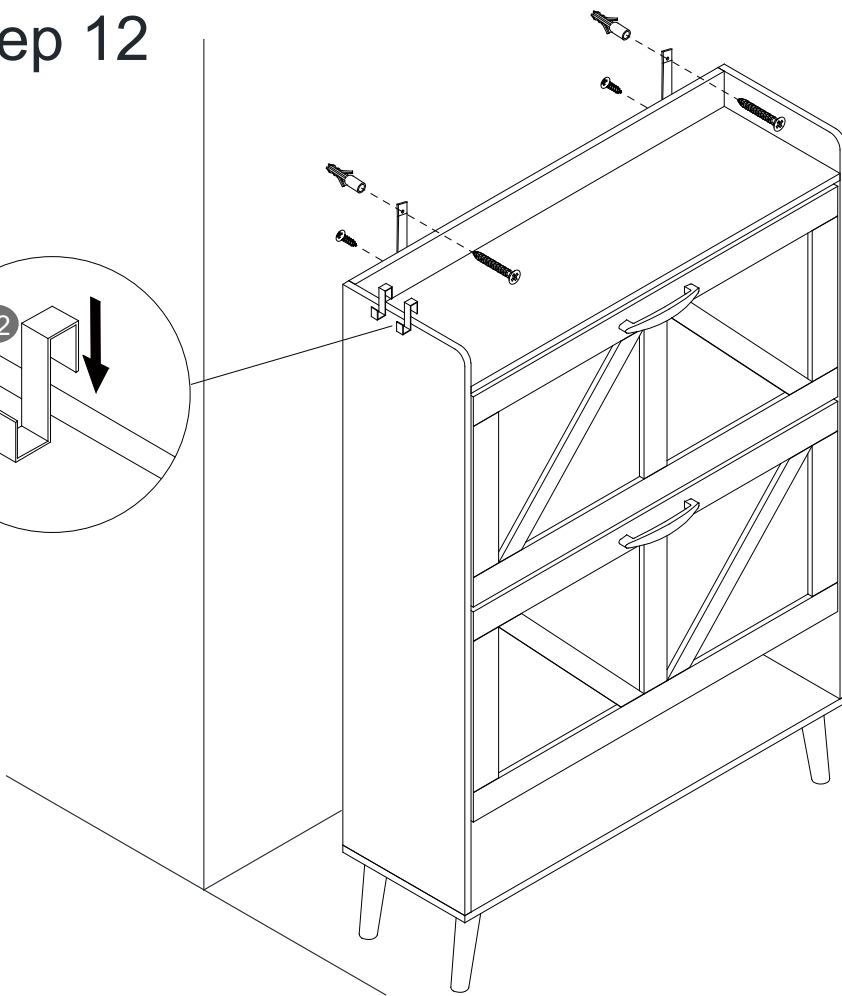
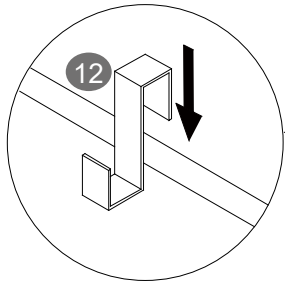
The door panel can be swapped up and down, please pay attention to the door panel pattern during assembly.








Step 11

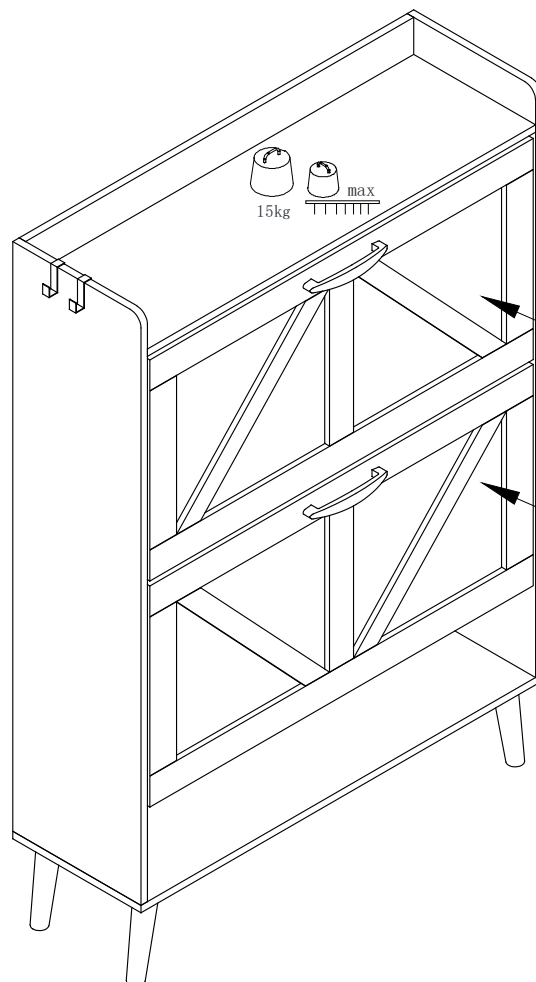




Step 12







4		X 2
8		X 2
9		X 2
10		X 2
12		X 2

Step 13



15kg   max

5kg   max

5kg   max