

CARE AND MAINTENANCE

Spot clean using a mild water-free solvent. Only a professional cleaner should undertake a complete overall cleaning.

The use of steam or water-based cleaners may cause excessive shrinking or staining.

NOTICE

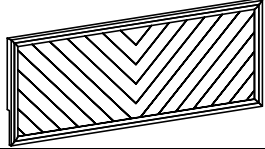
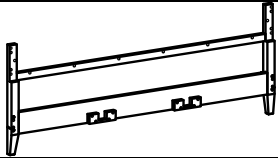
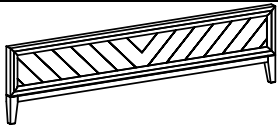
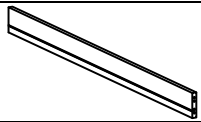
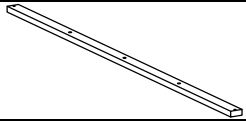








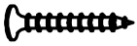
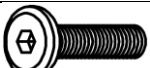

* Please make sure that you have all parts indicated before you begin assembly of this item

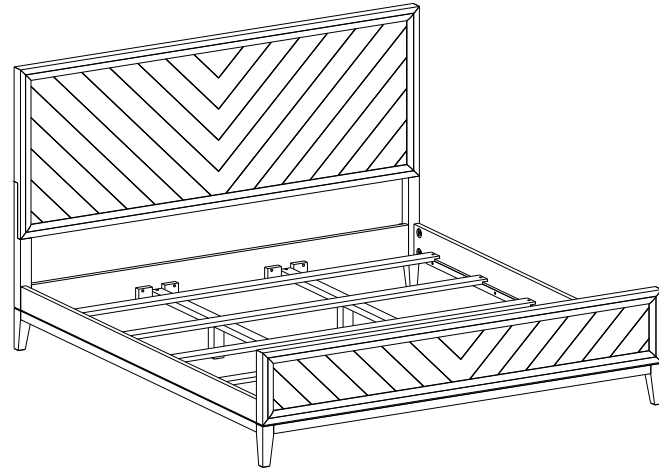
* This item should be assembled on a soft surface to prevent scratching the finish during assembly

* This item may require periodic tightening

Product Dimensions: 85 2/7"W x 79 1/6" D x 50 2/5"H

Part List and Hardware List

PIECE	DESCRIPTION	PICTURE	QUANTITY
A	HEADBOARD		1X
B	BOTTOM FRAME		1X
C	FOOTBOARD		1X
D	SIDE RAILS		2X
E	CENTRE SUPPORT RAIL		2X
F	CENTRE LEGS		6X
G	SLATS		5X
HW1	WOODEN DOWEL		12X
HW2	METAL THREAD M8x70mm		8X
HW3	SEMICIRCLE WASHER		8X
HW4	SPRING WASHER		8X
HW5	NUT M8		8X
HW6	SPANNER M13		1X
HW7	SCREW 4x30mm		14X
HW8	MEDIUM CROSS BOLT M6x40mm		18X
HW9	ALLEN KEY		1X



Weight capacity: 800lbs
Warning: DO NOT STAND ON TABLE
Warning: DO NOT OVER TORQUE BOLTS

PREPARETION

Before beginning assembly of product, make sure all parts are present. Compare parts with package contents list and hardware contents list.

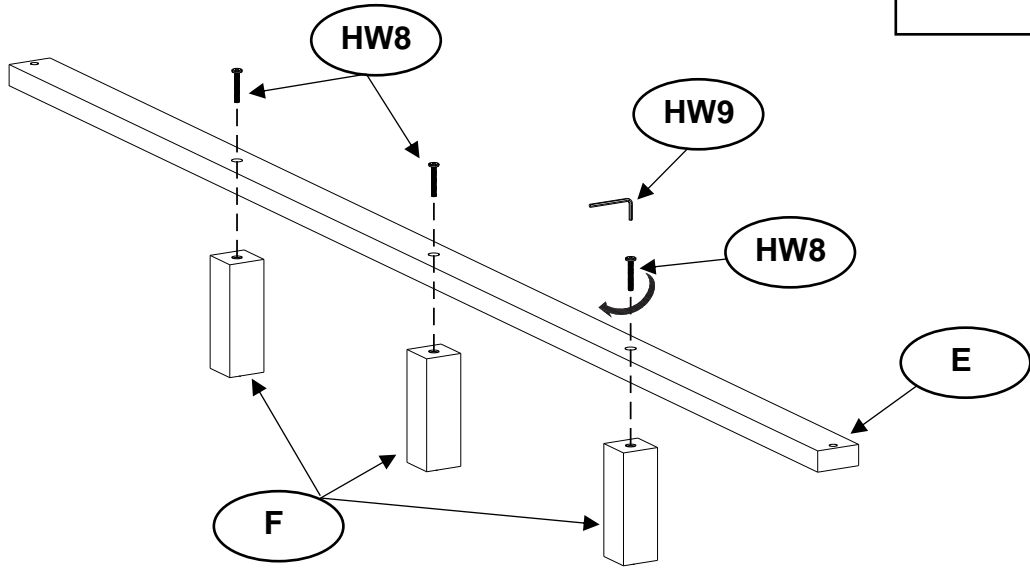
If any part is missing or damaged, do not attempt to assemble the product.

Estimated Assembly Time: 10 minutes

Tools Required for Assembly (Not included): Phillips Screwdriver

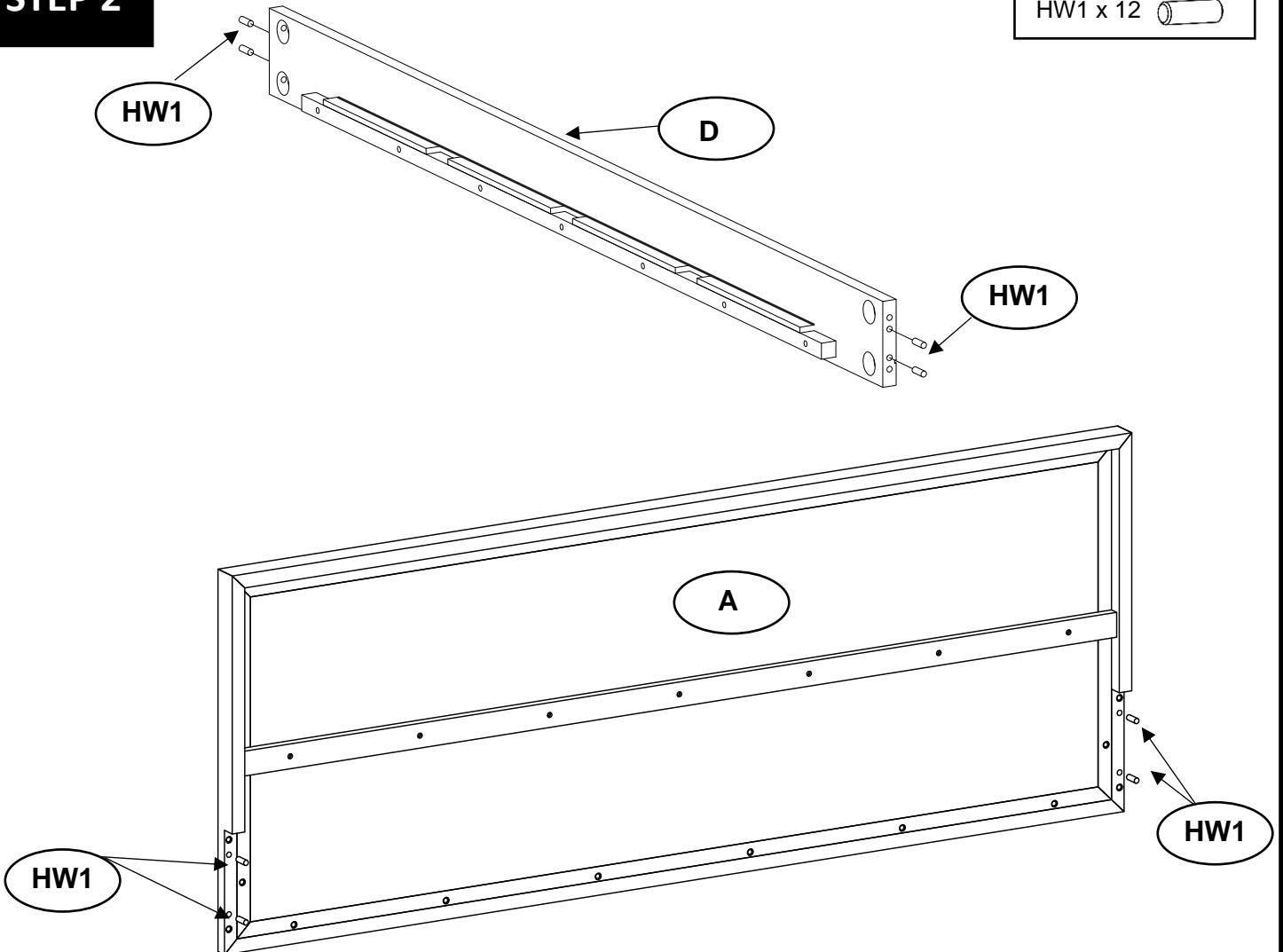
STEP 1

HW8 x 6




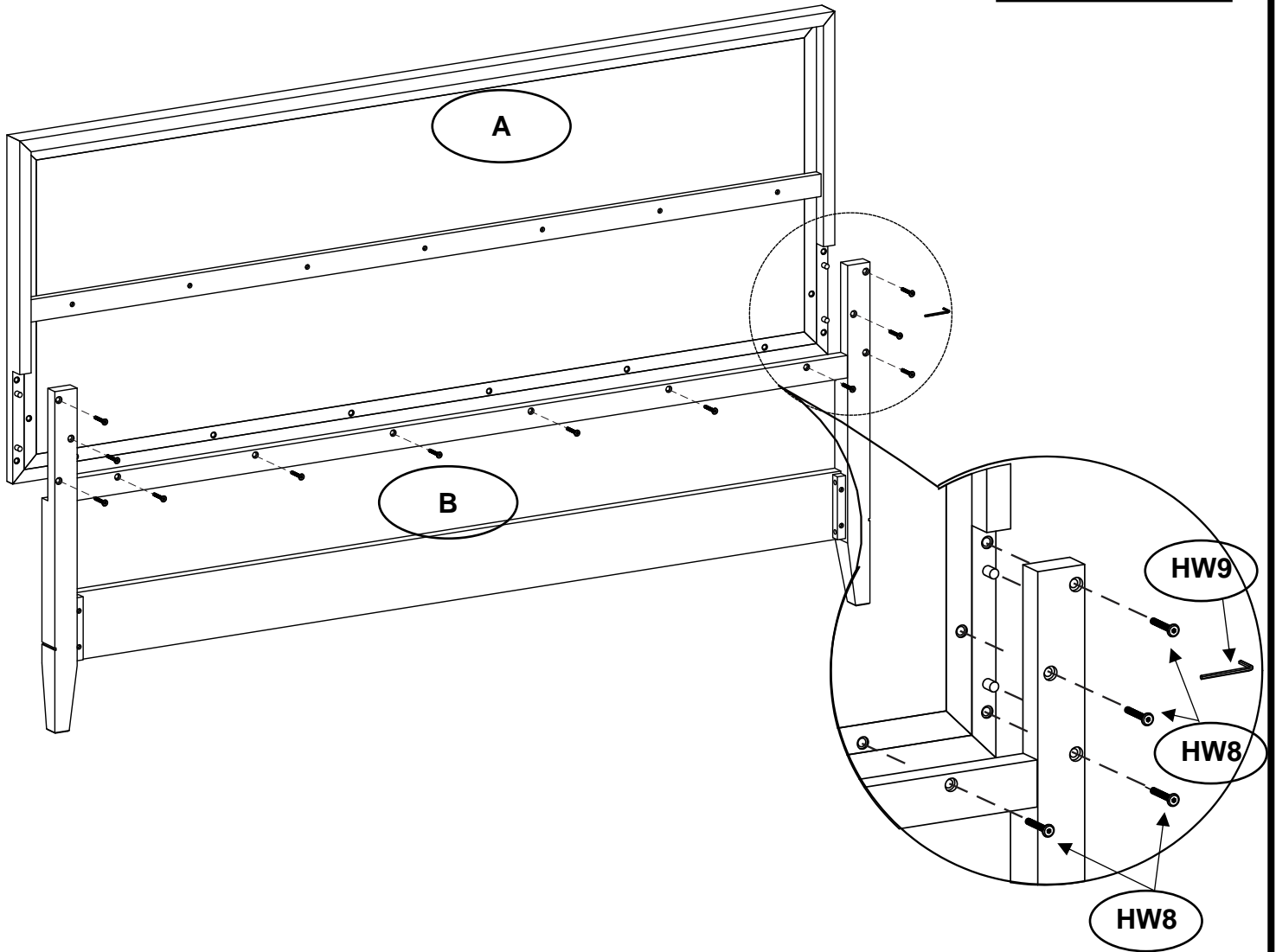
STEP 2

HW1 x 12




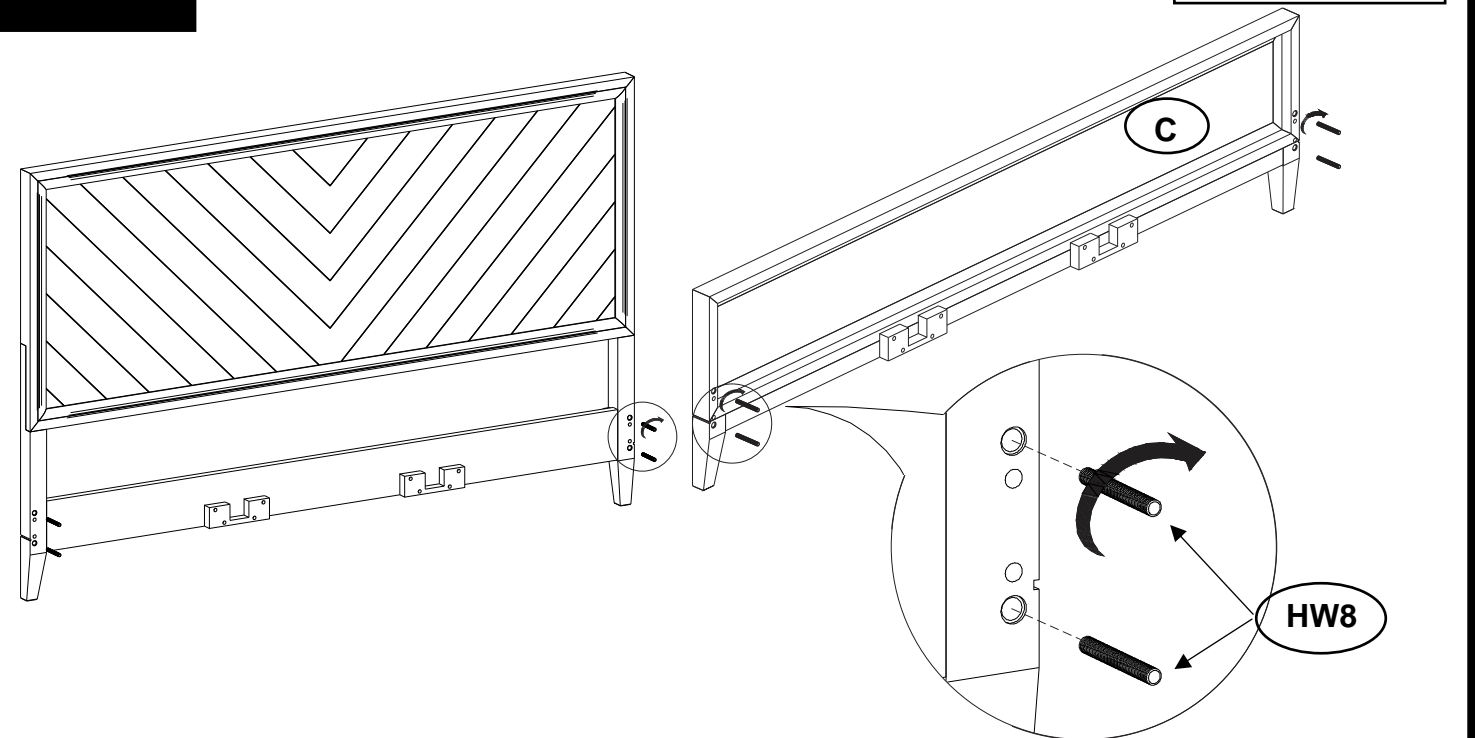
STEP 3

HW8 x 12 



STEP 4

HW2 x 8 



STEP 5

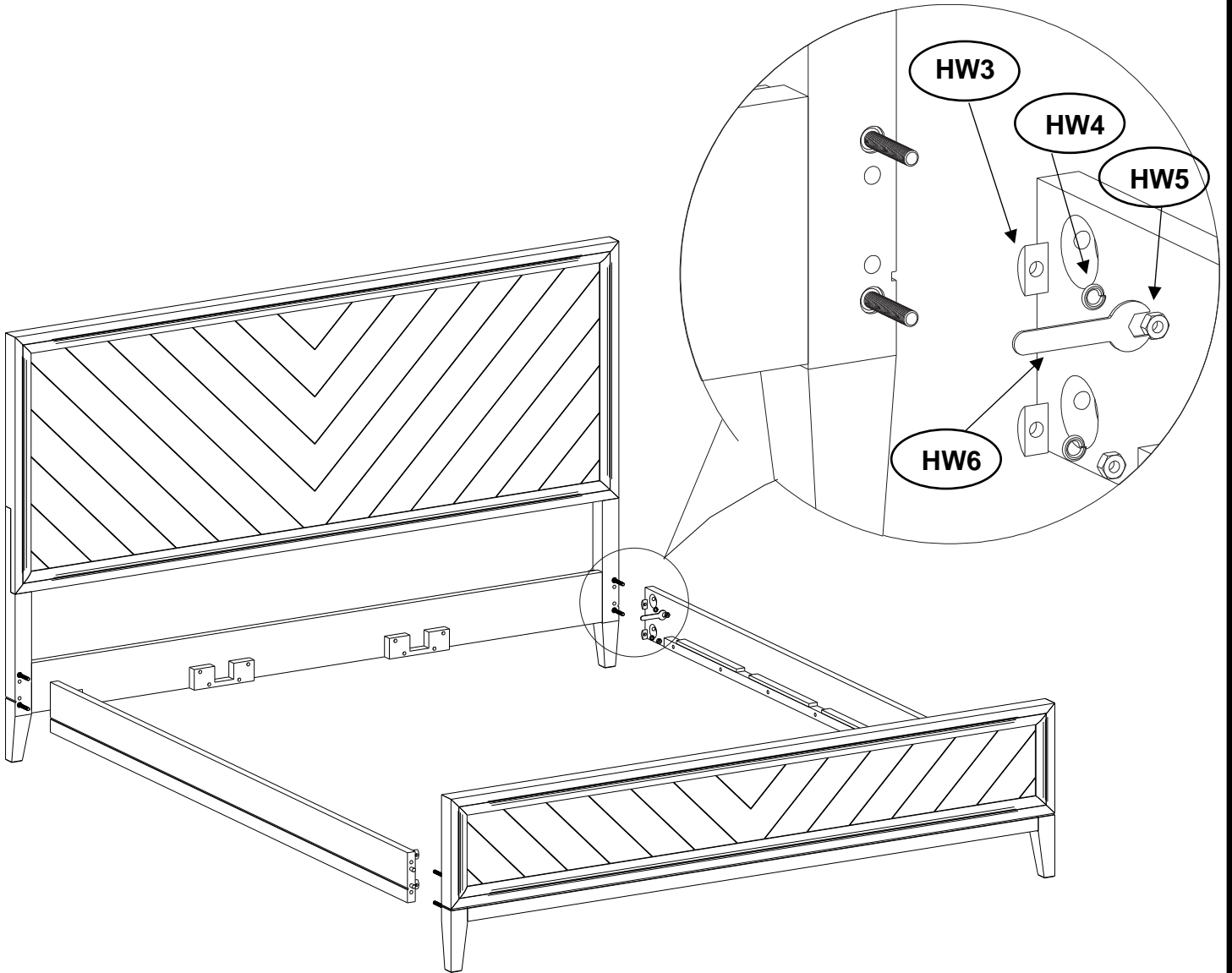
HW3 x 8



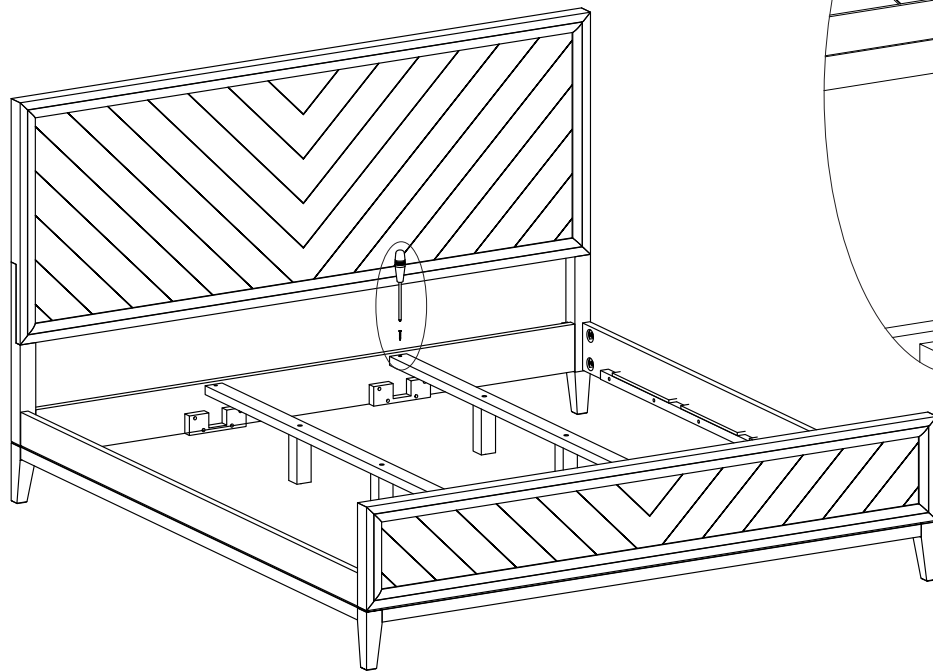
HW4 x 8



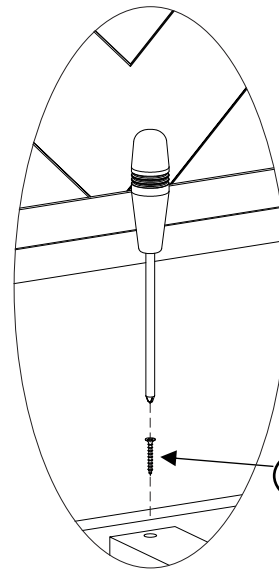
HW5 x 8



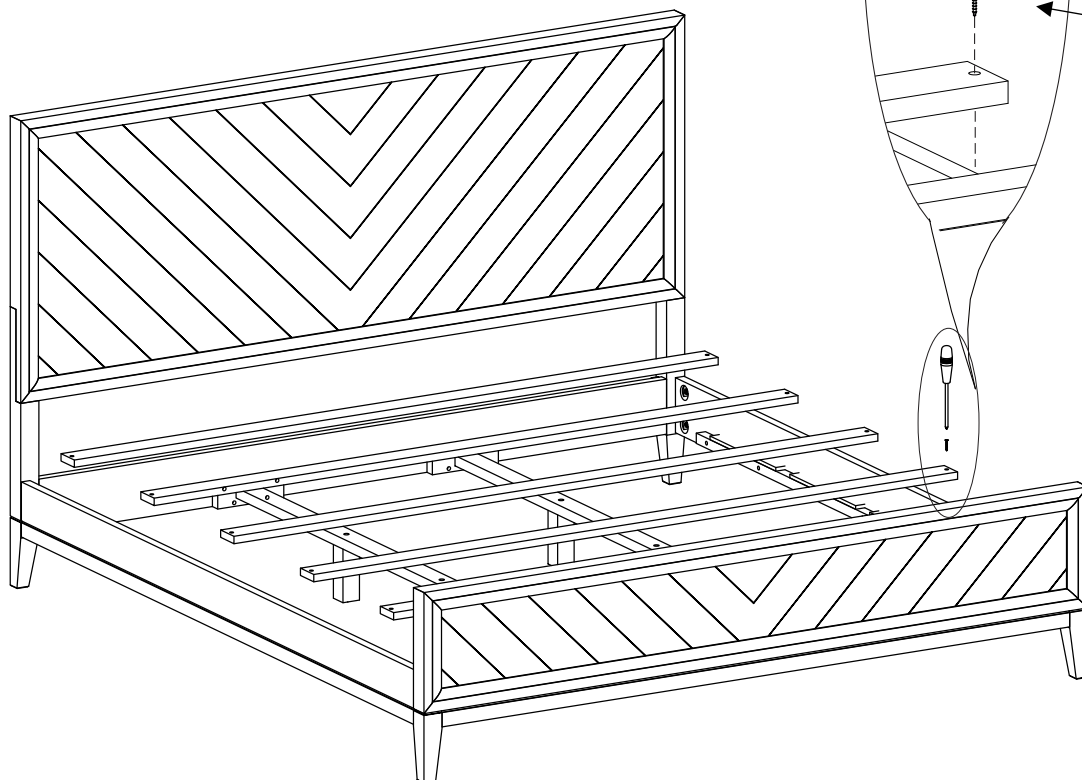
STEP 6

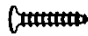


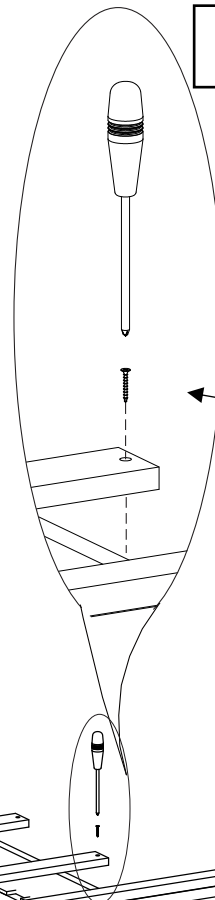
HW7 x 4 



HW7



HW7 x 10 



HW7