

ALAINE WALL-MOUNT CONCRETE BASIN

Cat. No
5-304



faucet not included

W: 17-1/2"
D: 10-1/2"
H: 6-3/8"



Maintenance Kit

Interior Dimensions:

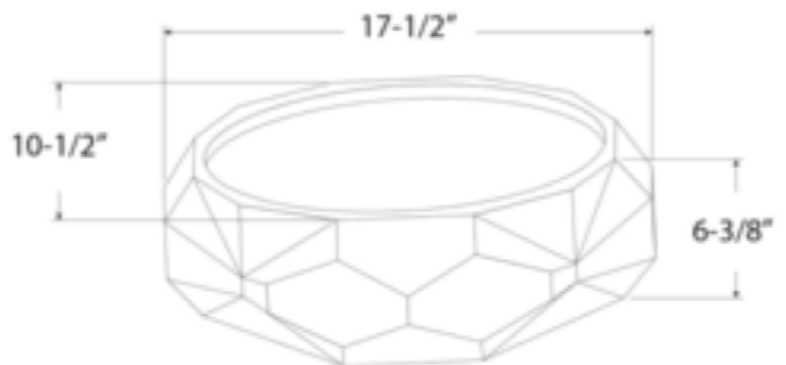
Basin interior: 13-1/2" x 7-1/2"
Basin depth: 4-1/2"
Bracket Mount holes cc: 7-1/8"
Mounting bracket height: 31-5/8"
Back of basin to center of drain: 4-1/2"

Features:

- ▶ Seamless concrete construction
- ▶ Designed for wall-hung installation
- ▶ Mold casted basin is finished by hand
- ▶ No faucet hole
- ▶ Maintenance Kit included
- ▶ 3/4" Rim
- ▶ No overflow
- ▶ Available in 6 colors
- ▶ To be used with Drain # **5610** or **#57100** (Not included)

Colors:

CGC	Copper Green	CTB	Terrazzo Black
CDG	Dusk Gray	CLG	Light Gray
VBC	Vintage Brown	CDRG	Dark Gray



Dimensions of fixture are nominal and may vary slightly. Dimensions and specifications subject to change without notice.