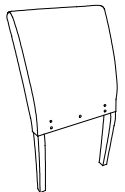

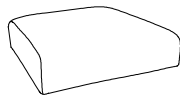



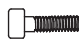



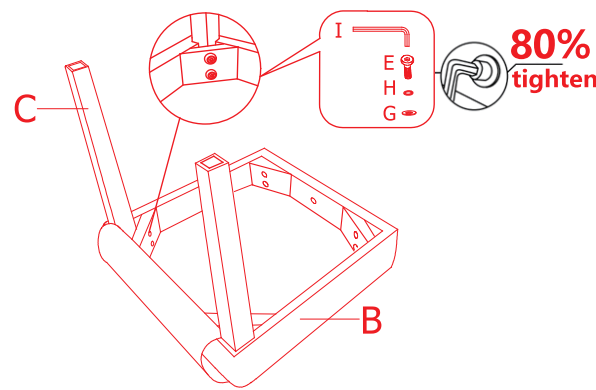


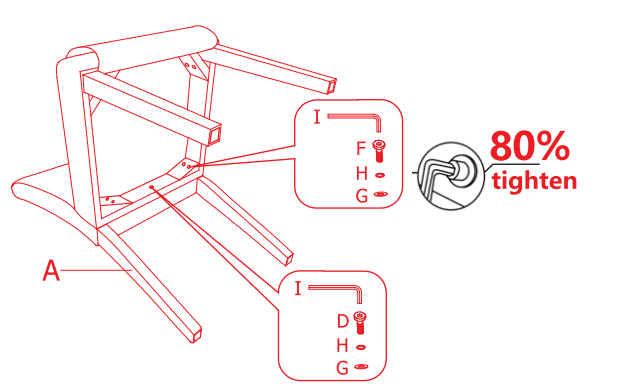
<p>Ax1</p>  <p>Back</p>	<p>Fx4</p>  <p>M8x80MM</p> <p>Screw</p>
<p>Bx1</p>  <p>Seat</p>	<p>Gx9</p>  <p>Plain cushion</p>
<p>Cx2</p>  <p>Front legs</p>	<p>Hx9</p>  <p>Spring cushion</p>
<p>Dx1</p>  <p>M8x55MM</p> <p>Screw</p>	<p>Ix1</p>  <p>M8</p> <p>Allen key</p>
<p>Ex4</p>  <p>M8x65MM</p> <p>Screw</p>	<p>Jx4</p> 

①



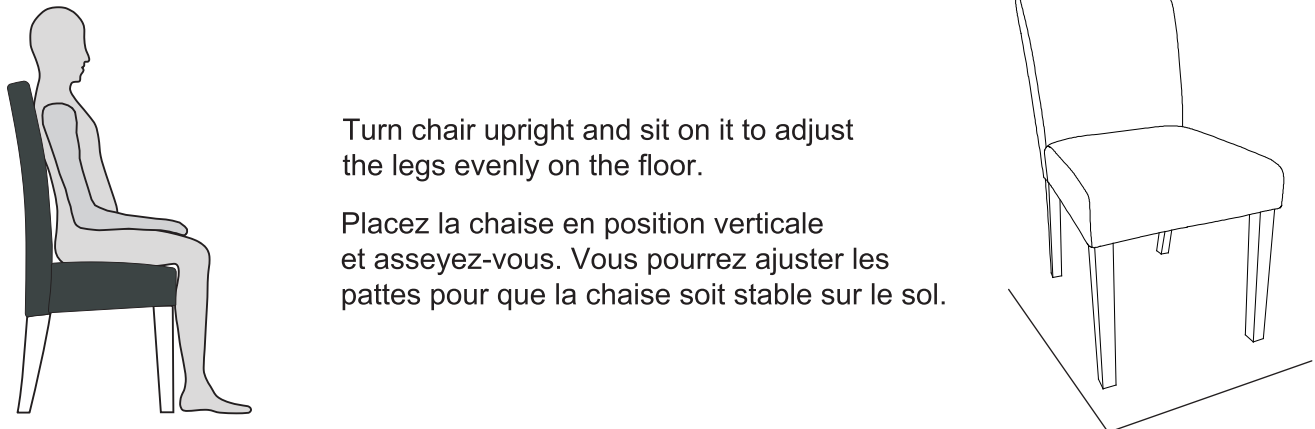
Put the screws in the holes, tighten the screws, but not too tight, **80%** is ok.

②



Put the screws in the holes, tighten the screws, but not too tight, **80%** is ok.

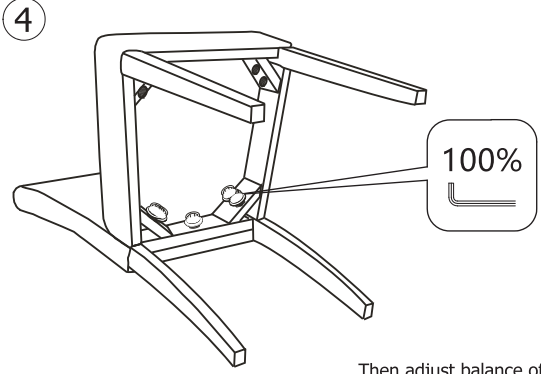
③



Turn chair upright and sit on it to adjust the legs evenly on the floor.

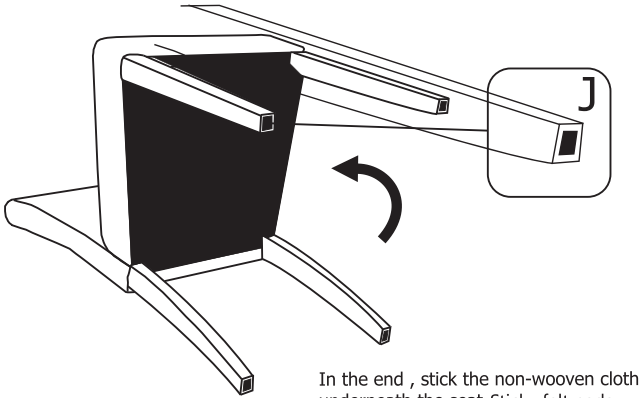
Placez la chaise en position verticale et asseyez-vous. Vous pourrez ajuster les pattes pour que la chaise soit stable sur le sol.

④

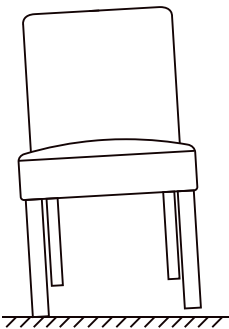


Then adjust balance of this chair, tighten all the screws to 100%.

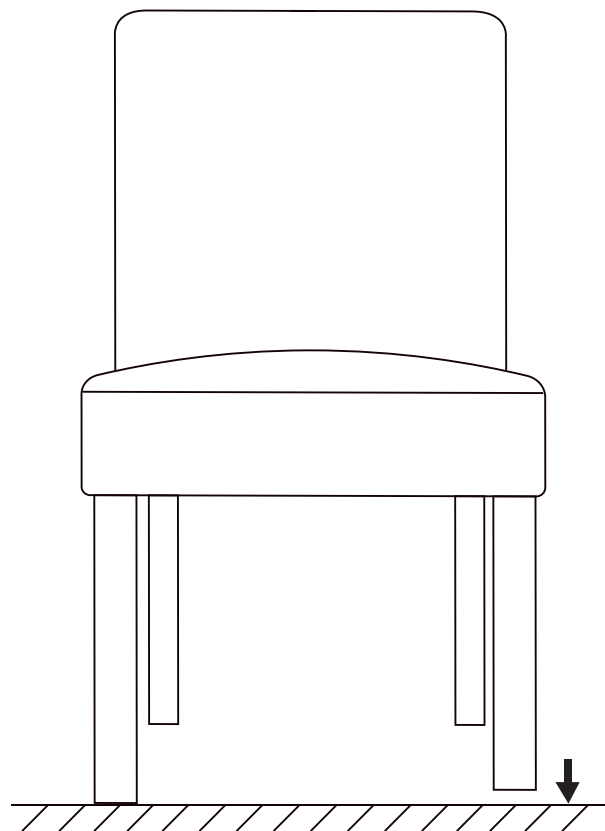
⑤



In the end, stick the non-woven cloth underneath the seat. Sticky felt pads



DEAR CUSTOMERS, IF THE CHAIR DO NOT LEVEL OR WOBBLE, PLS TRY↓



- 1 Pay attention to the step^③ of the instruction manual

DO NOT over tighten the bolts, **80%** is enough.

Turn chair upright and sit on it to adjust the legs evenly on the floor.

If no wobbles found , proceed to **100%** tighten all the bolts.

- 2 If still wobbles please add more felt pads

