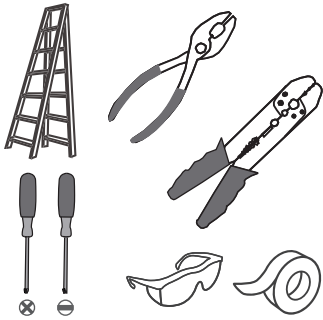
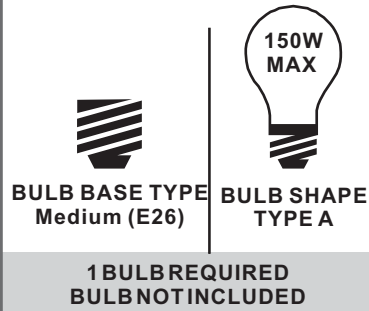


# Installation Guide

## Tools Required



## Light Source



## Warnings and Cautions

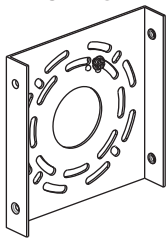
Turn off the electricity at the circuit breaker before installation. Consult a licensed electrician if in doubt about installation.

Turn off power to the fixture and allow the bulbs to cool before replacing.

## Package Contents

**Preparation:** Identify and inspect all parts before beginning the installation.  
Missing or damaged parts? Contact your original place of purchase.

### PARTS BAG

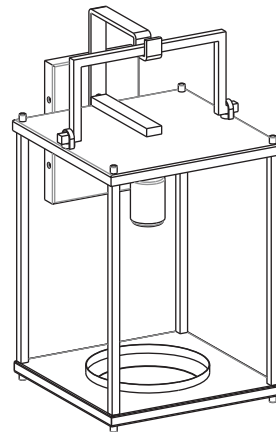


A Inner Backplate  
x 1

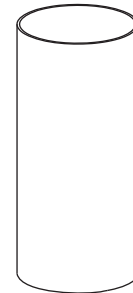
B Lock Screw  
x 4

C Outlet Box Screw  
x 2

D Wire Connector  
x 3



E Fixture Body  
x 1

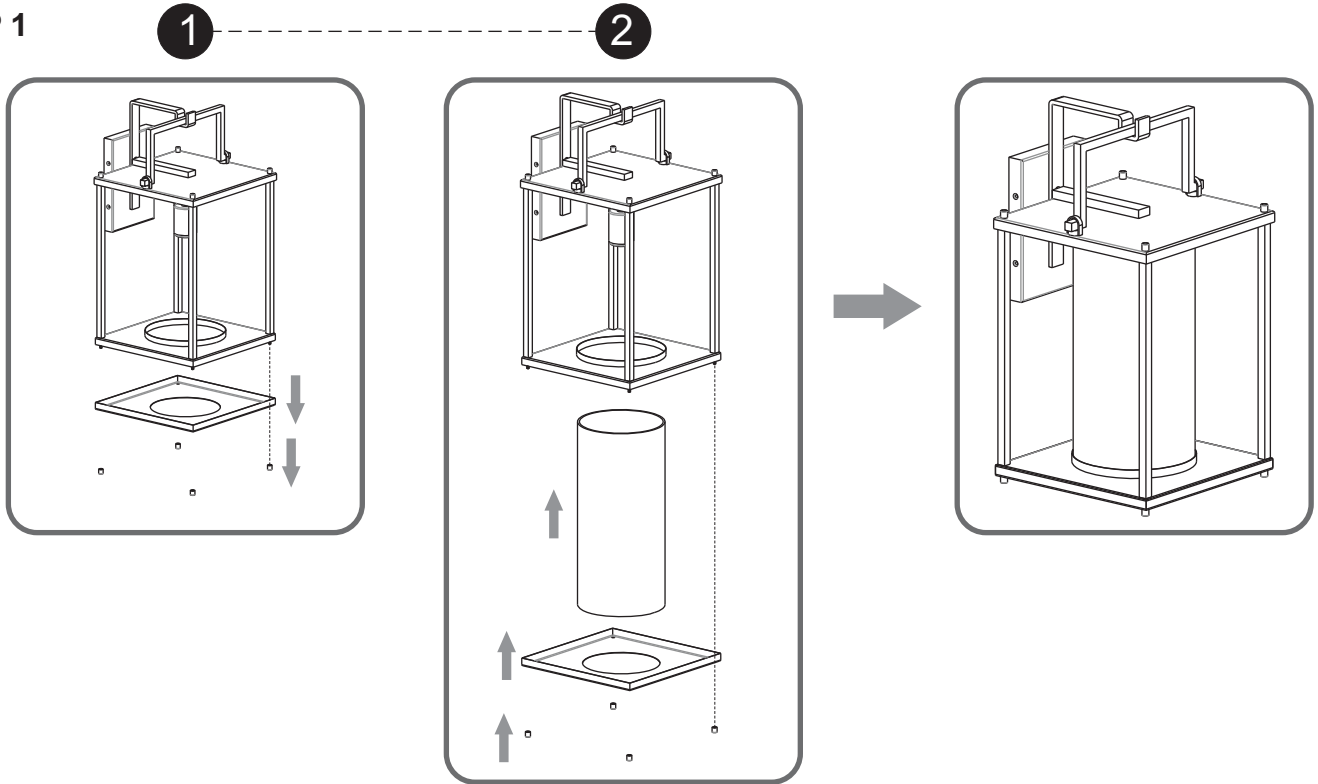


F Glass  
x 1

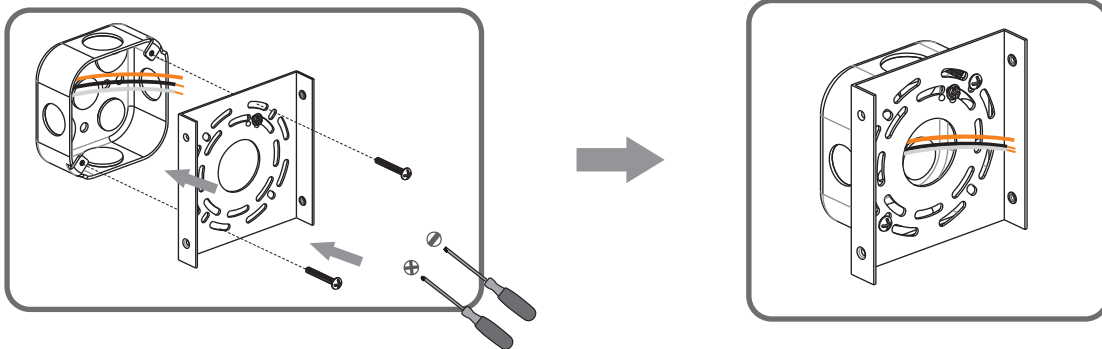
## Table of Contents

Glass	Inner Backplate	Wiring	Fixture Body	Bulb	Caulk
STEP 1	STEP 2	STEP 3	STEP 4	STEP 5	STEP 6

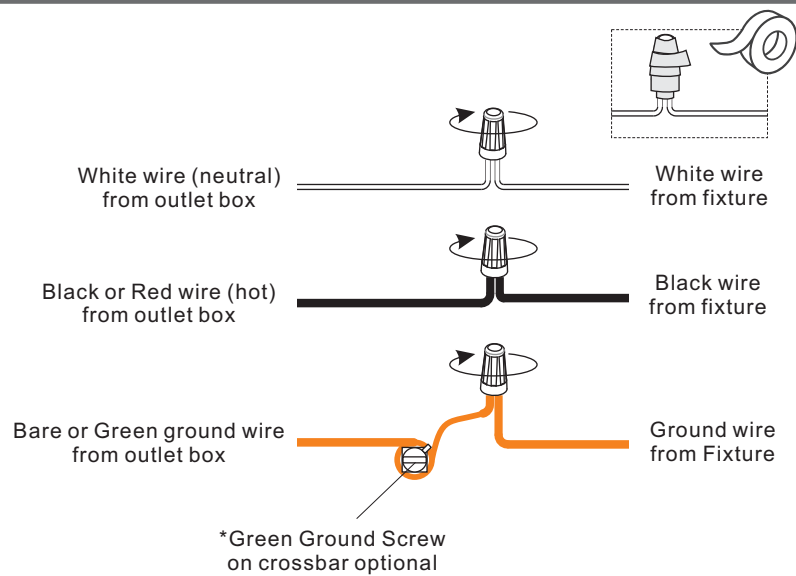
### STEP 1



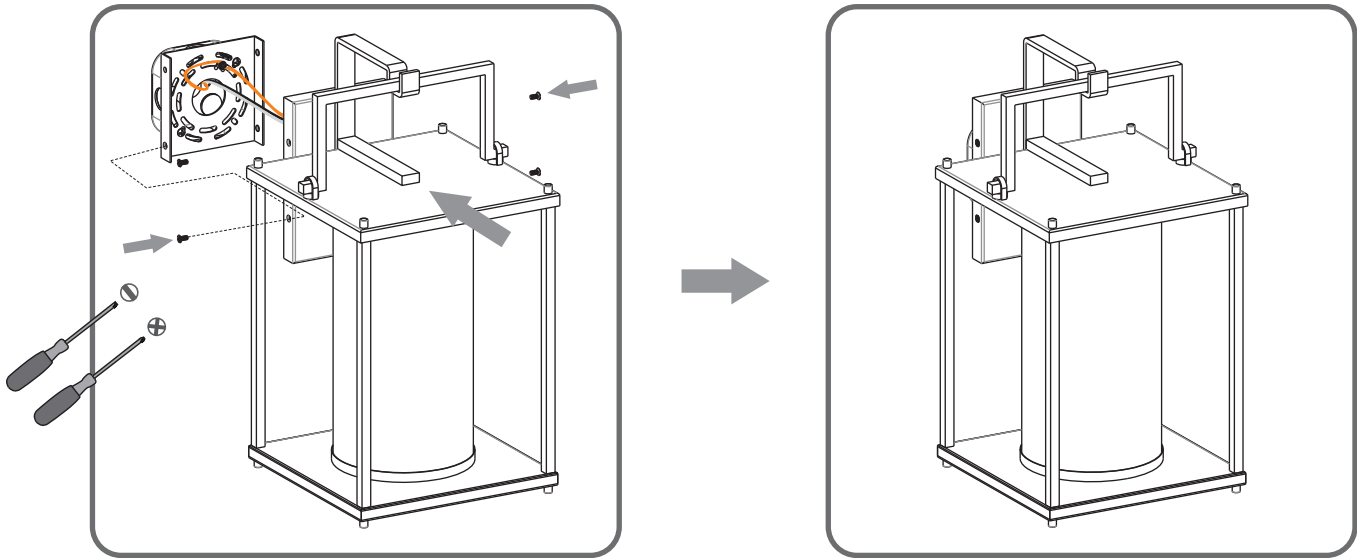
### STEP 2



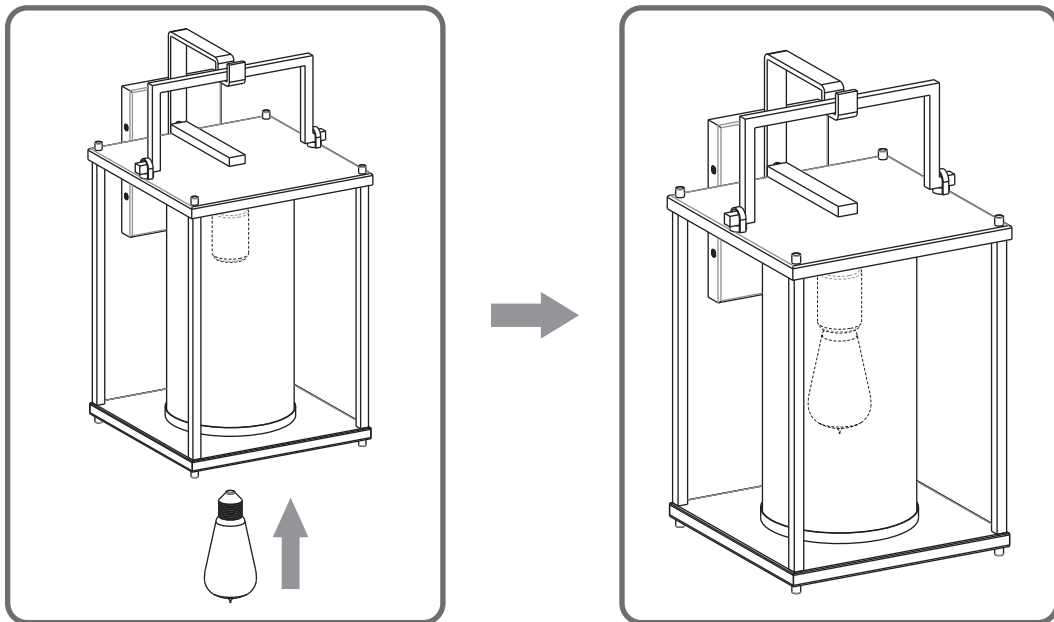
### STEP 3



**STEP 4**



**STEP 5**



**STEP 6**

