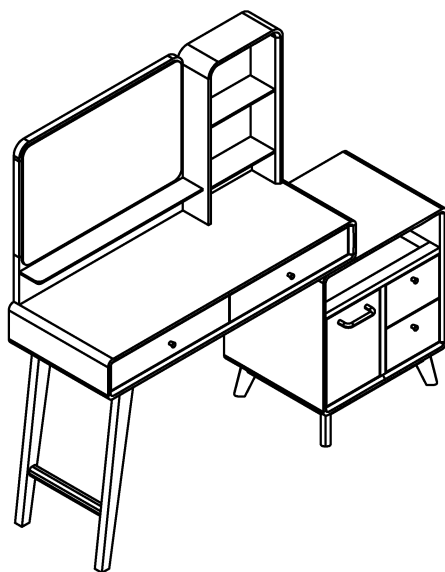
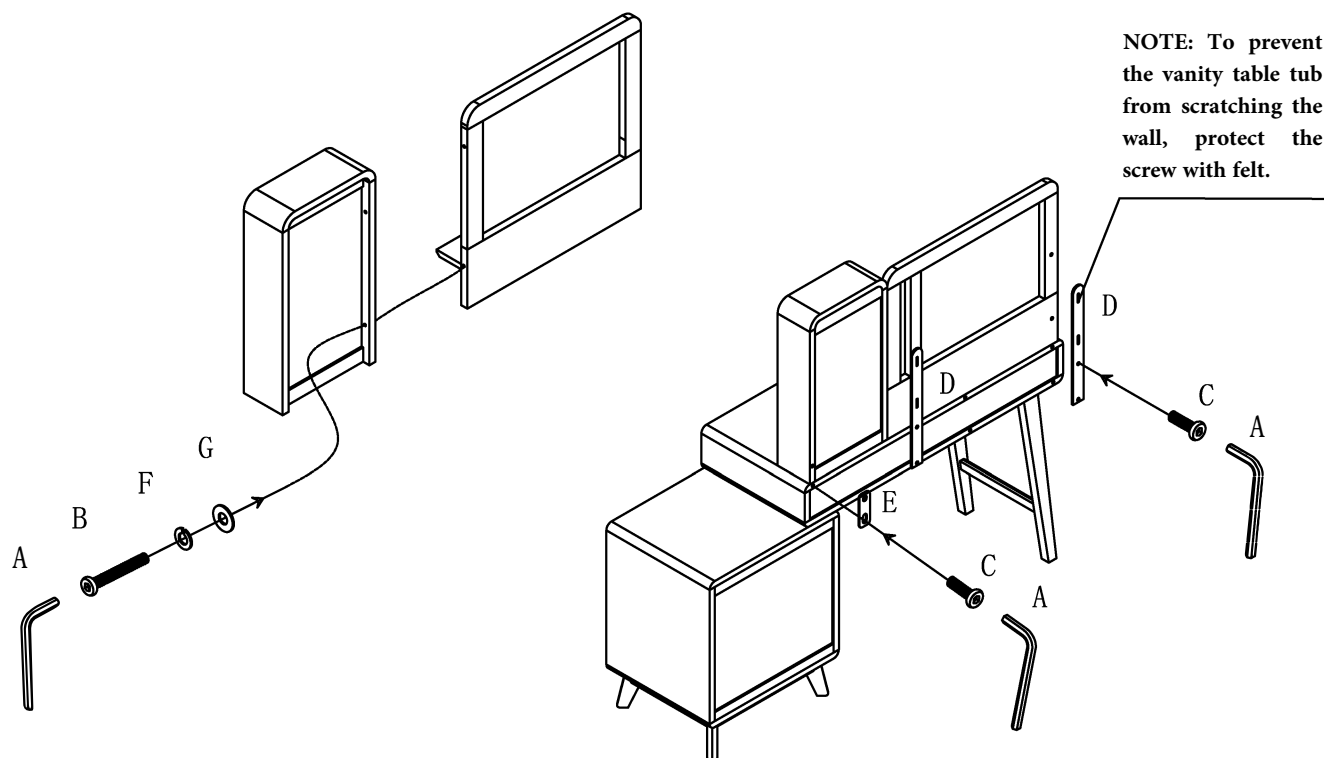









Assembly instructions

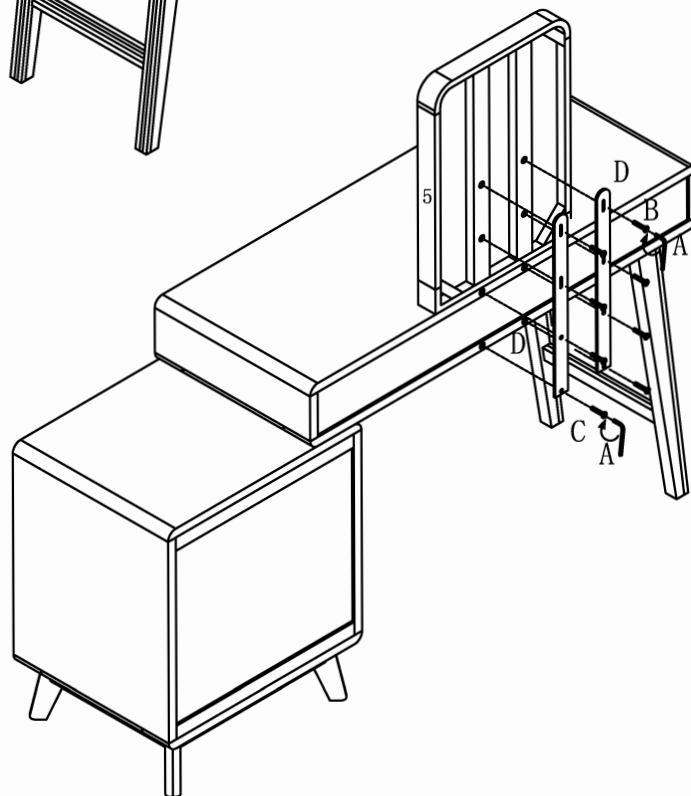
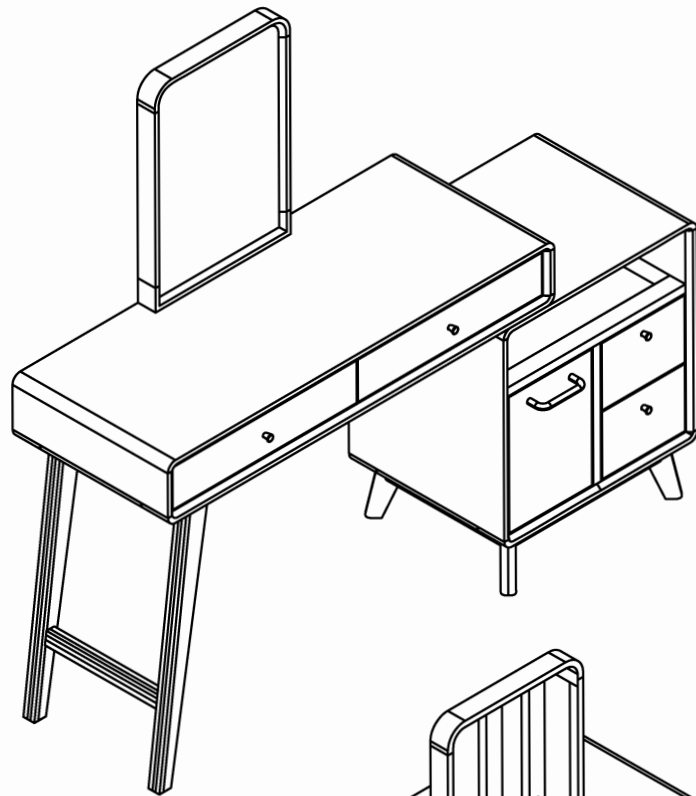


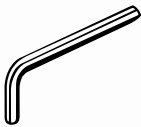


Lock the locker to the mirror according to the corresponding holes, then assemble the mirror locker to the vanity table.



						
A. Allen wrench = 1	B. Hexagonal screws M6*40=2	C. Hexagonal screws M6*20=10	D. Mirror steel strip 390*40*4=2	E. Connecting iron piece 80*20*3=1	F. Spring pads $\phi 6*12=2$	G. Flat pads $\phi 6*14=2$

Assembly instructions

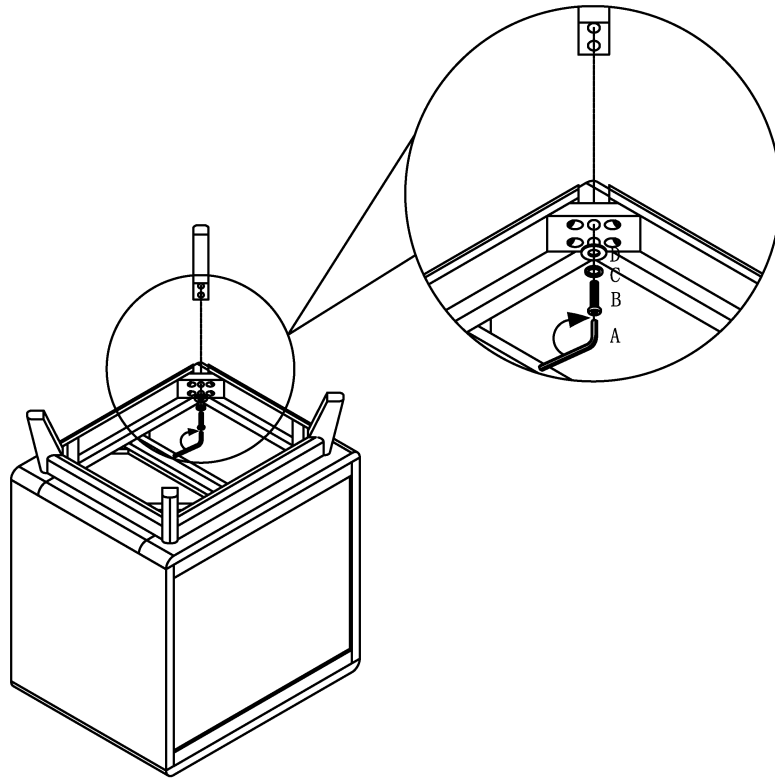


		
A. Allen wrench = 1	C. Hexagonal screws M6*20=8	D. Mirror steel strip 390*40*4=2

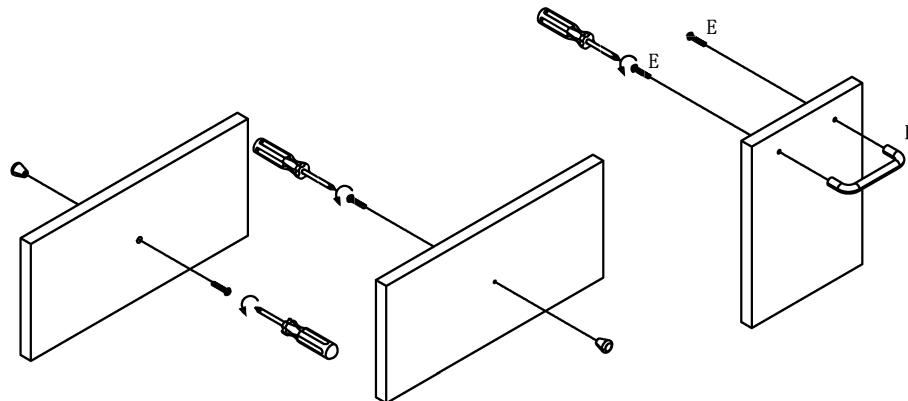
Assembly instructions

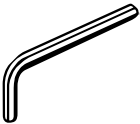



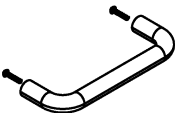
The assembly procedure is as follows:

Step 1: Put the cabinet upside down or sideways, assemble the foot post, pay attention to the order of hardware do not put the wrong.



Step 2: Pull handles are installed, and then the cabinet is placed in its designated position.

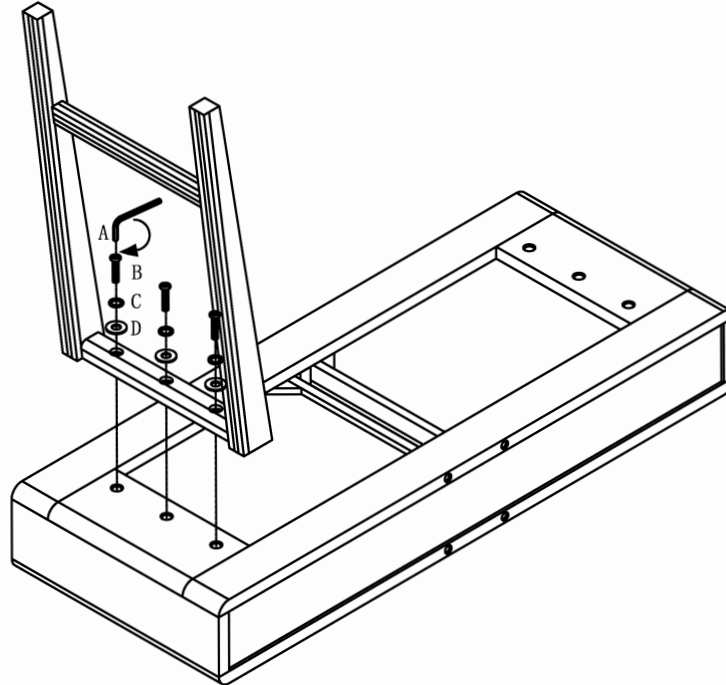


				
<p>A.Hexagonal wrench 4#=1</p>	<p>B. Hexagonal screws M6*40=8</p>	<p>C. Spring pads $\phi 6=8$</p>	<p>D. Flat pads $\phi 6=8$</p>	<p>E. Puller with pulling wire = 1</p>

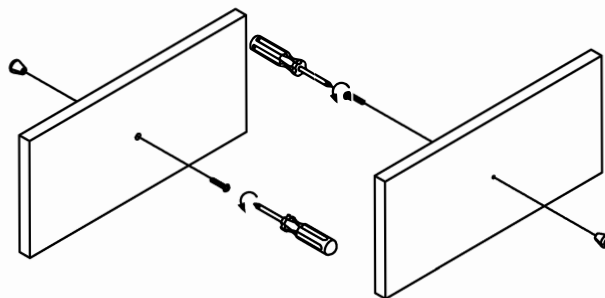
Assembly instructions

The assembly procedure is as follows:

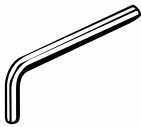



Step 1: Place the cabinet upside down or sideways, assemble the foot post, pay attention to the order of hardware do not put the wrong.



Step 2: Pull handles are positively fitted, then put the cabinet in a thousand designated positions



Scan for Customer Service

			
A. Allen wrench = 1	B. Hexagonal screws M8*40=3	C. Spring pads $\phi 8=3$	D. flat pads $\phi 8=3$