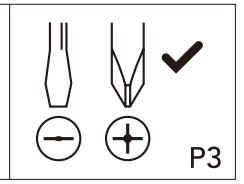
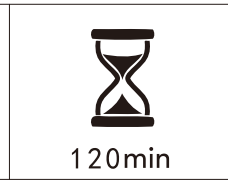
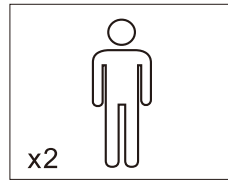
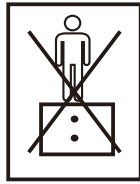


NR581



Thank you for choosing this furniture.

BEFORE YOU START ASSEMBLY please store the carton at room temperature for 48 hours or more so the contents can acclimatise.

PLEASE RETAIN ALL PACKING AND ASSEMBLY INSTRUCTIONS UNTIL YOU HAVE COMPLETED ASSEMBLY. BUILD YOUR FURNITURE ON A CLEAN SOFT COVER, SO IT DOES NOT MARK YOUR FURNITURE

Information about your furniture.

Our pine furniture ranges have been carefully crafted from solid wood and MDF. Each piece of wood has unique characteristics such as knots, variances in shading and graining. These are part of the natural character of the furniture itself.

Caring for your furniture.

Extreme temperature can cause slight movements in the wood and mdf so please avoid placing your furniture close to radiators or other direct sources of heat. Humidity should also be avoided.

Please avoid exposing your furniture to continued bright sunlight as it can affect the colour.

Any fluid spills should be removed as quickly as possible.

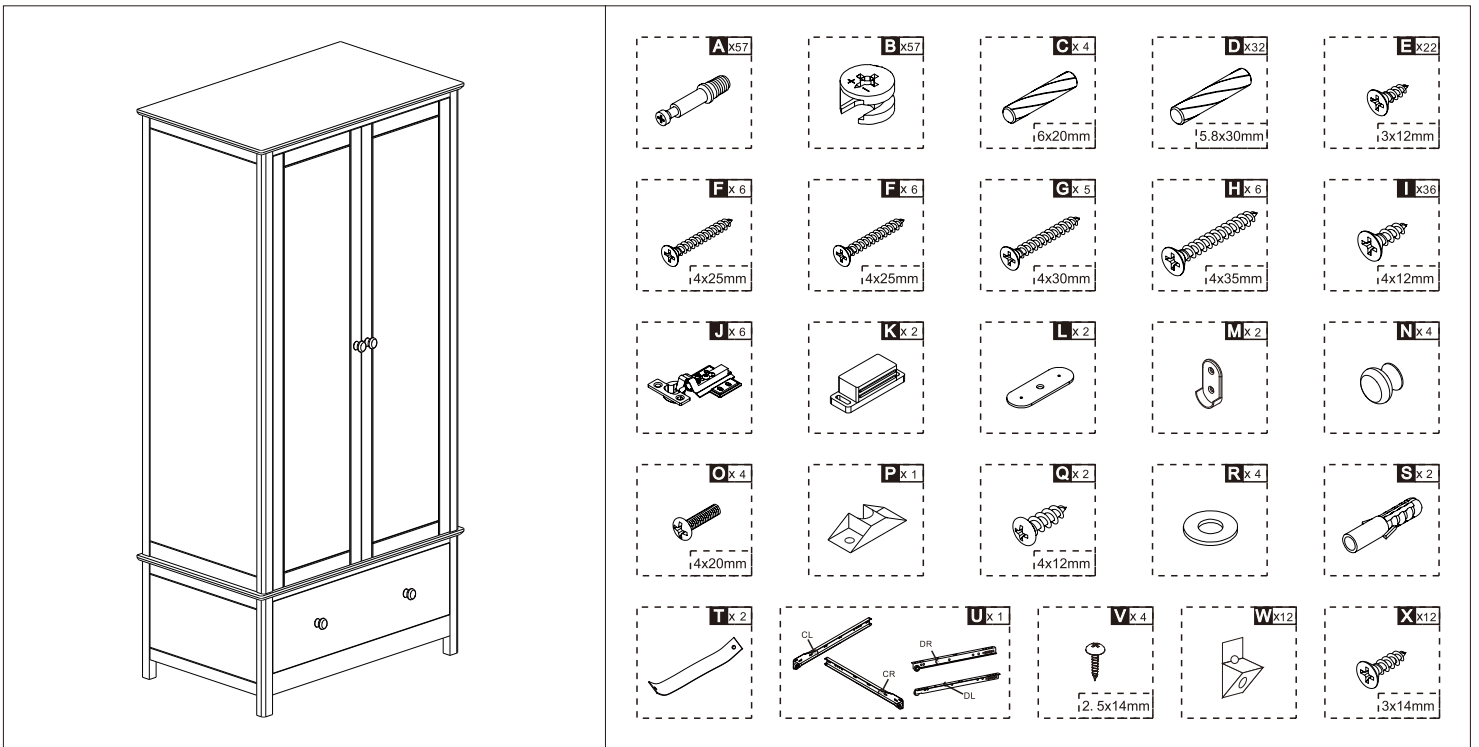
Always lift your furniture when moving as dragging may cause damage to your furniture or flooring.

Do not sit or stand on your furniture

After care.

Wipe the surfaces with a dry cloth and an occasional use of a normal household furniture polish. We also recommend you use household spray polish occasionally on the drawer grooves and runners as this will aid use.

PARTS LIST



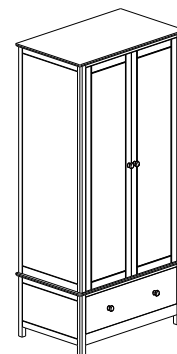
BEFORE YOU START ASSEMBLY

Please check that you have all the correct parts and fittings as detailed in the Parts List above.

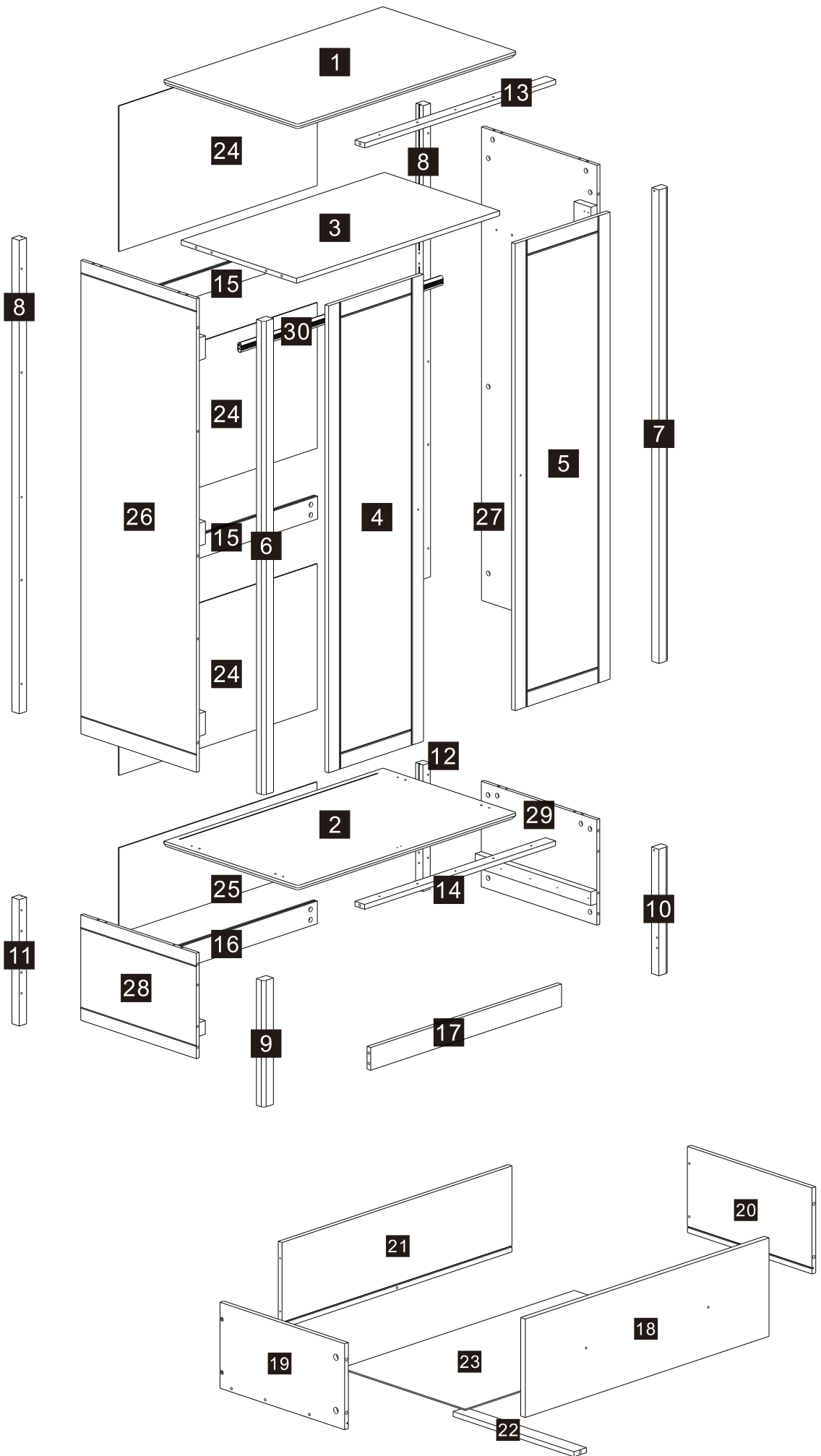
In the unlikely event that you require to order spare parts please refer to your delivery note for details of how to order on our Parts Website.

BATCH NUMBER

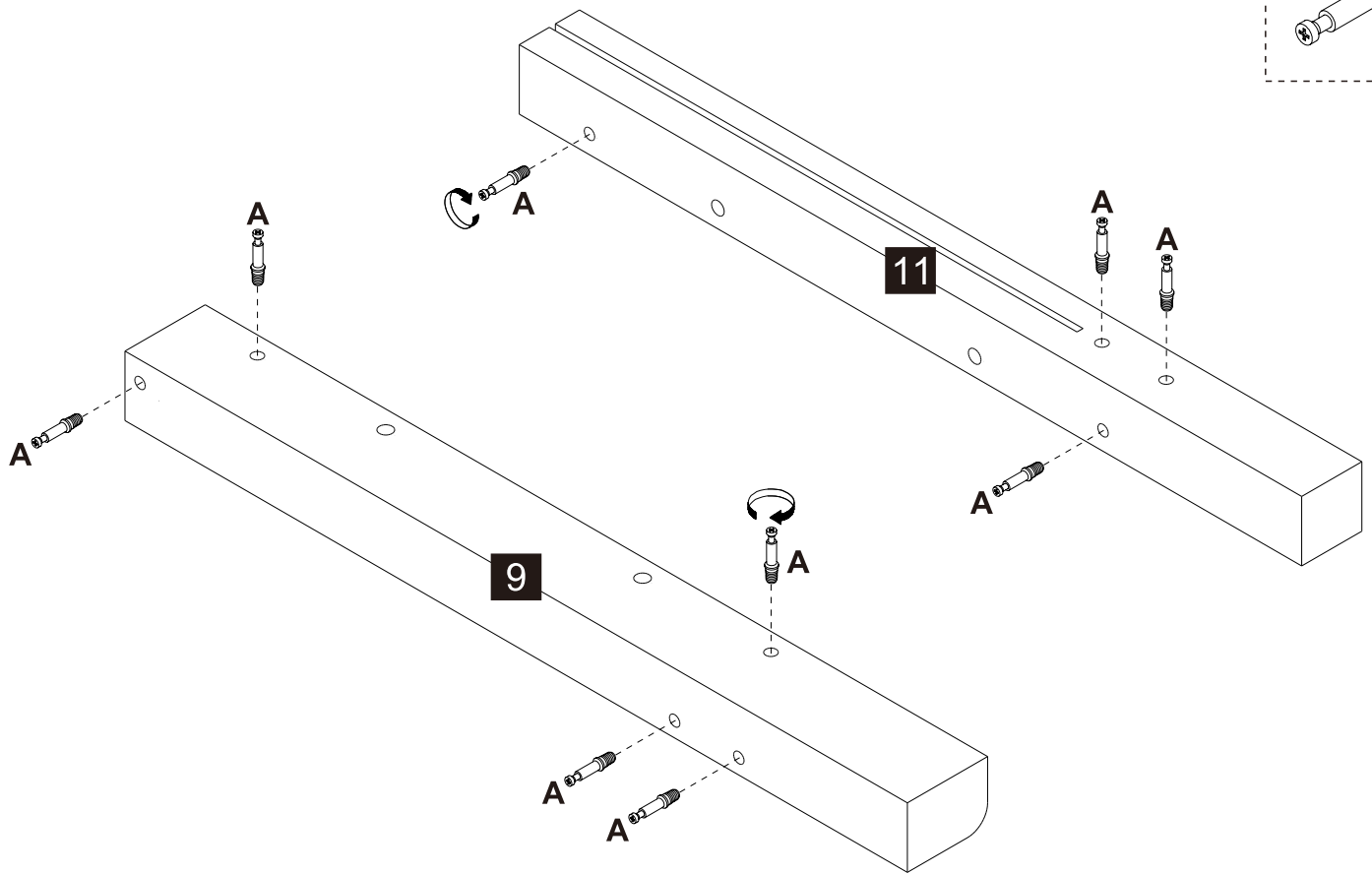
7457/2024



PLEASE RETAIN THIS INSTRUCTION LEAFLET FOR FUTURE REFERENCE.

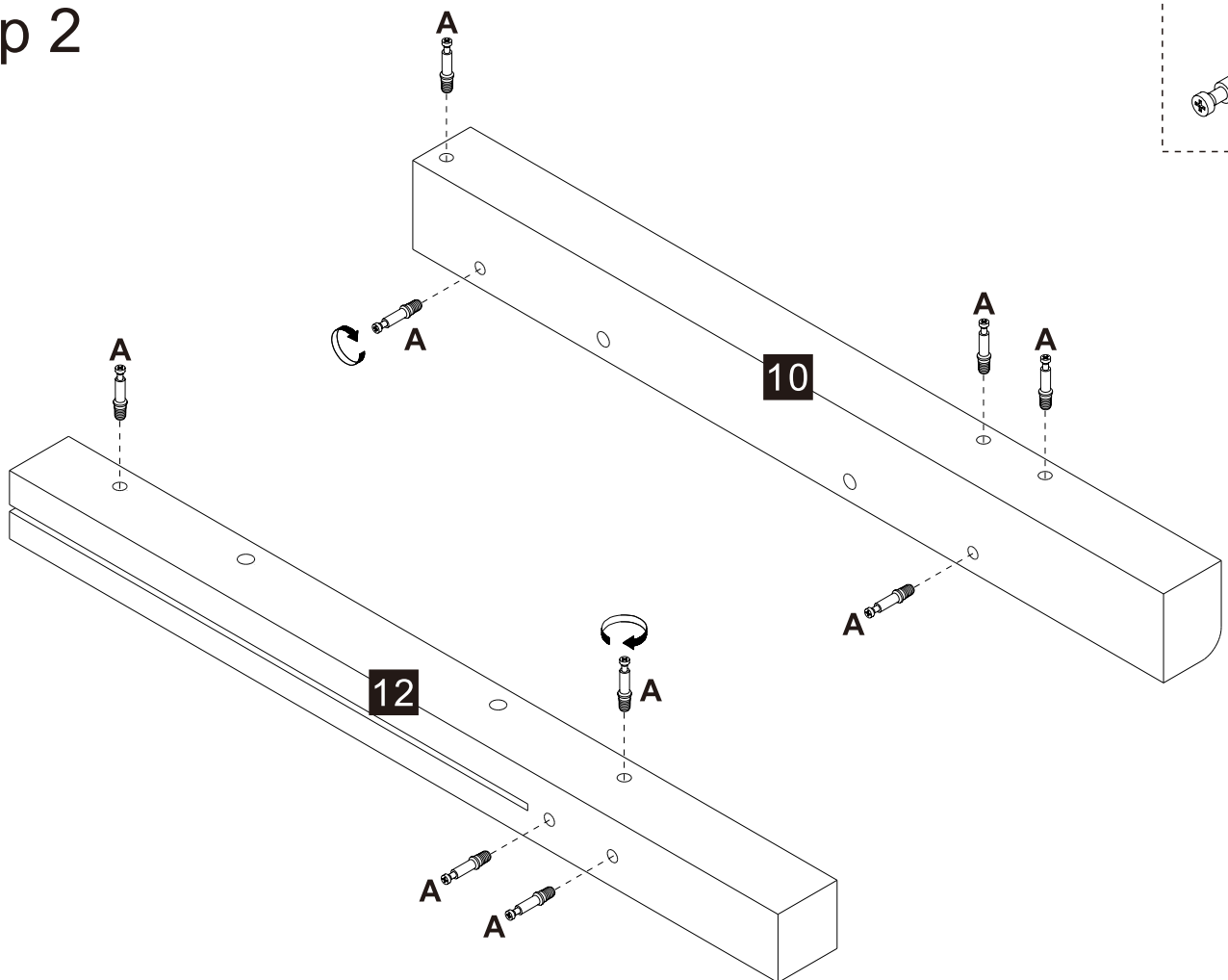


Step 1



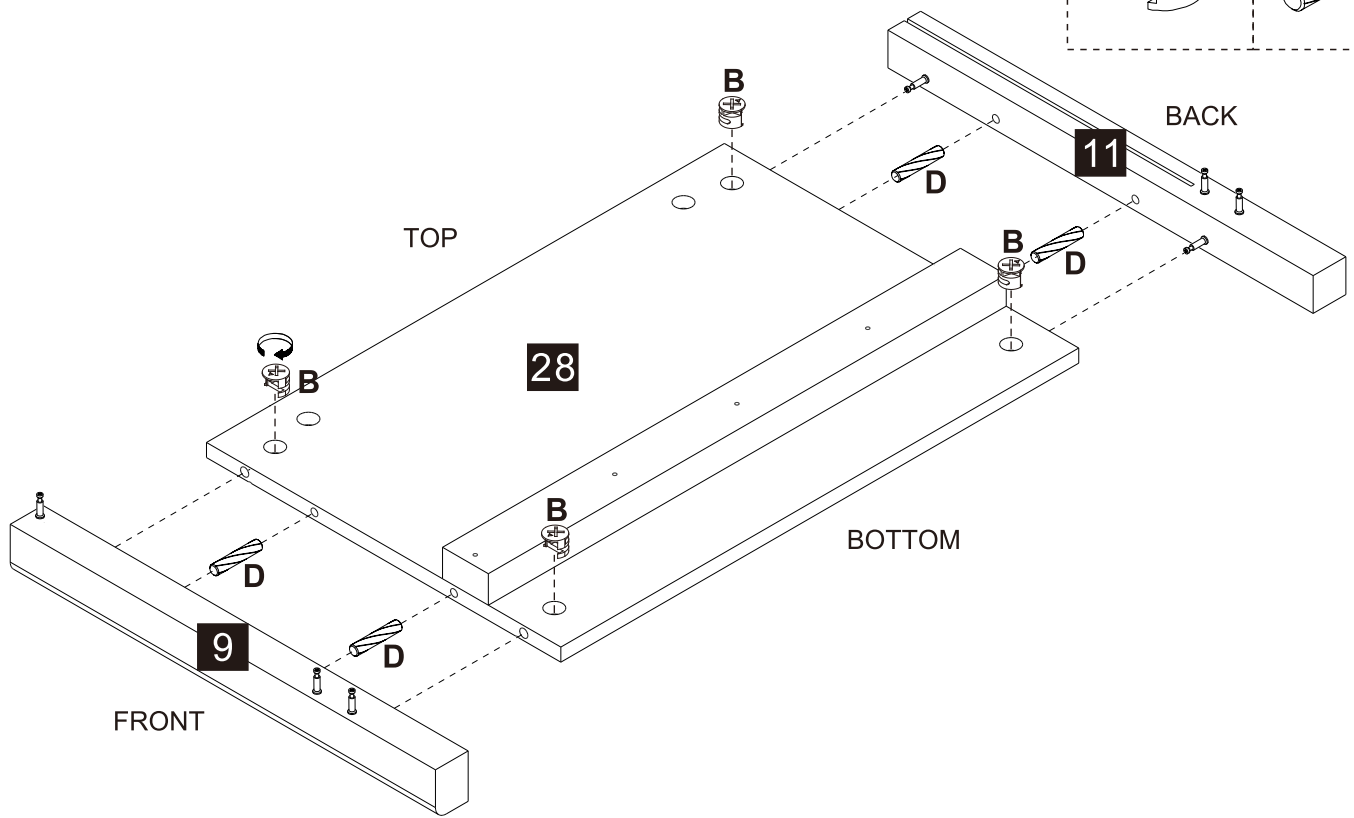
ENSURE LEGS ARE FACING THE CORRECT WAY

Step 2



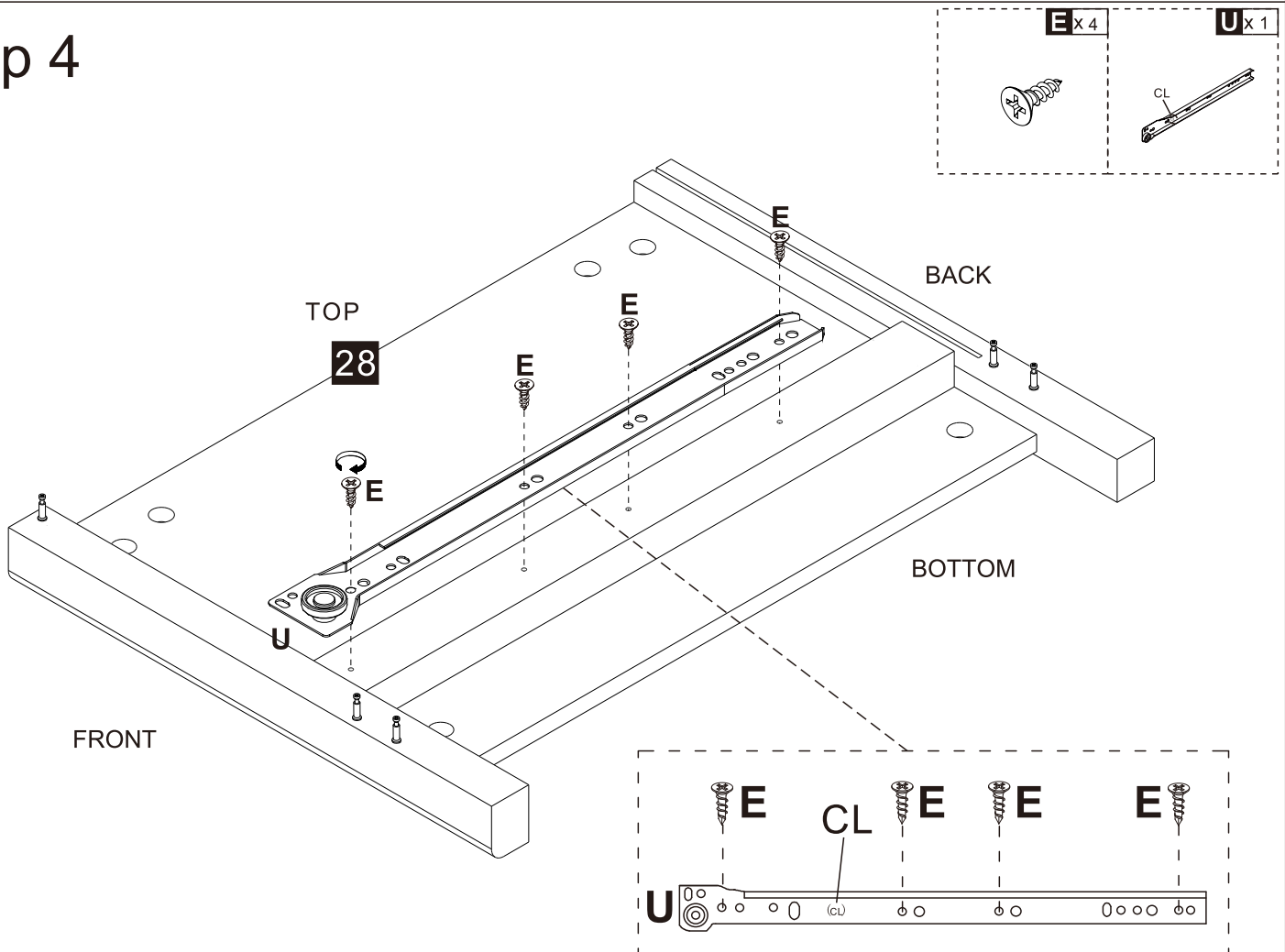
ENSURE LEGS ARE FACING THE CORRECT WAY

Step 3

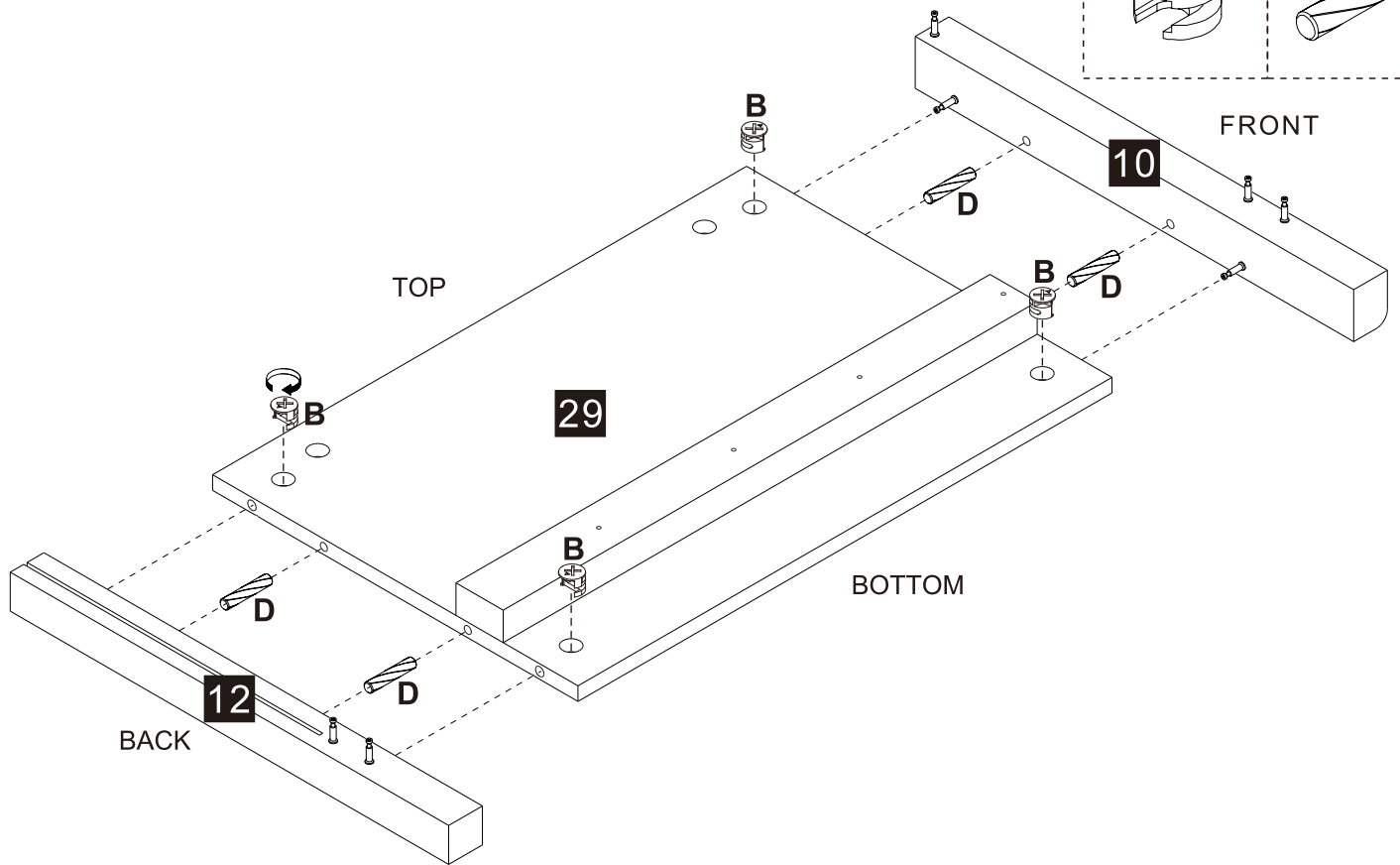


ENSURE THE CORRECT LEGS ARE USED, ONCE INSERTED TIGHTEN CAM "B"

Step 4

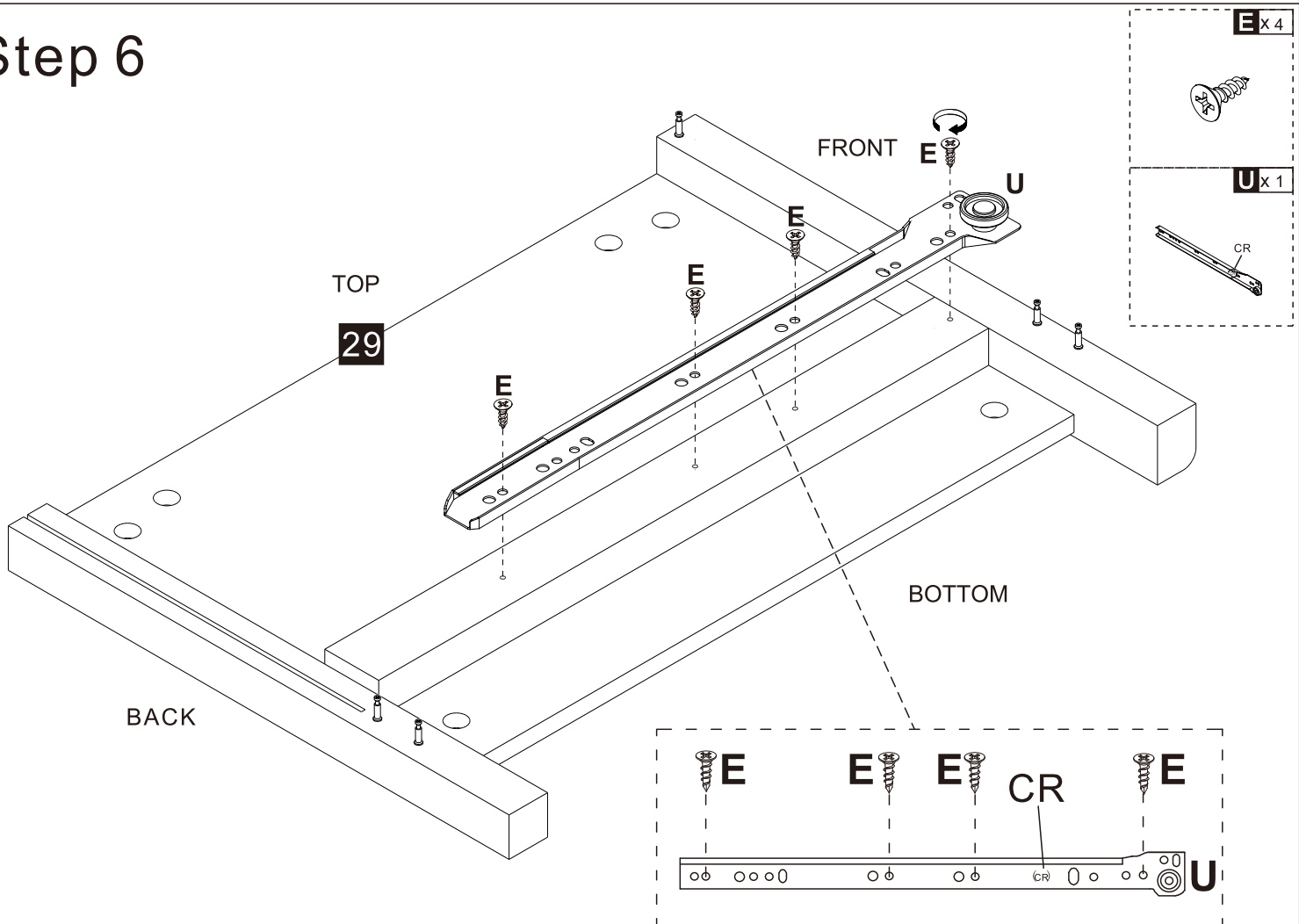


Step 5

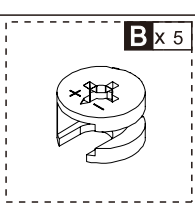
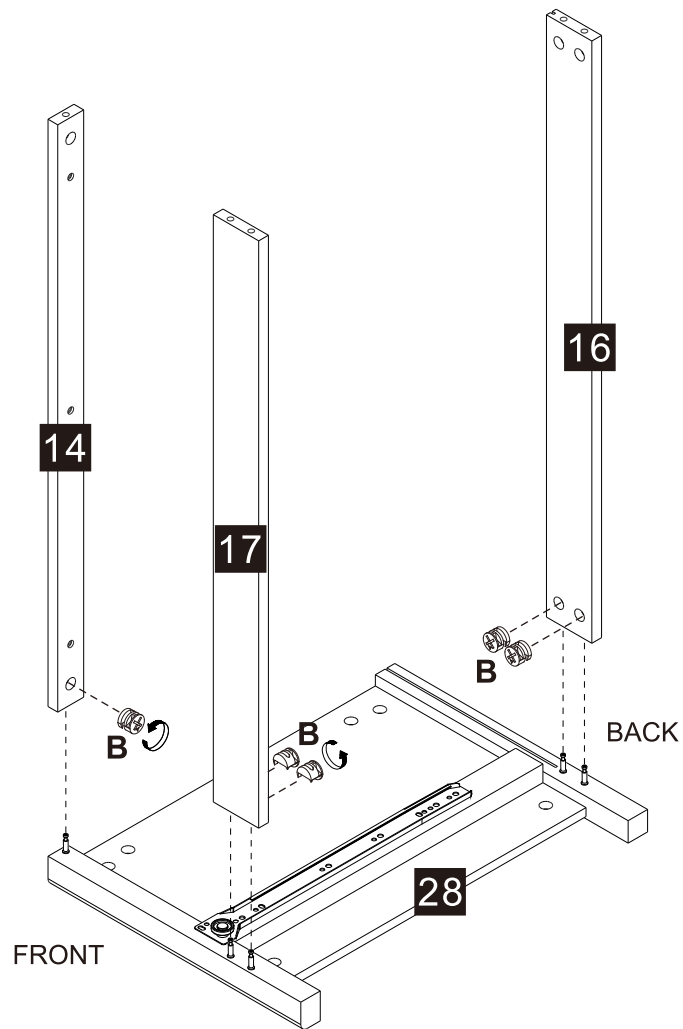


ENSURE THE CORRECT LEGS ARE USED, ONCE INSERTED TIGHTEN CAM "B"

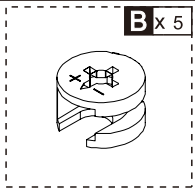
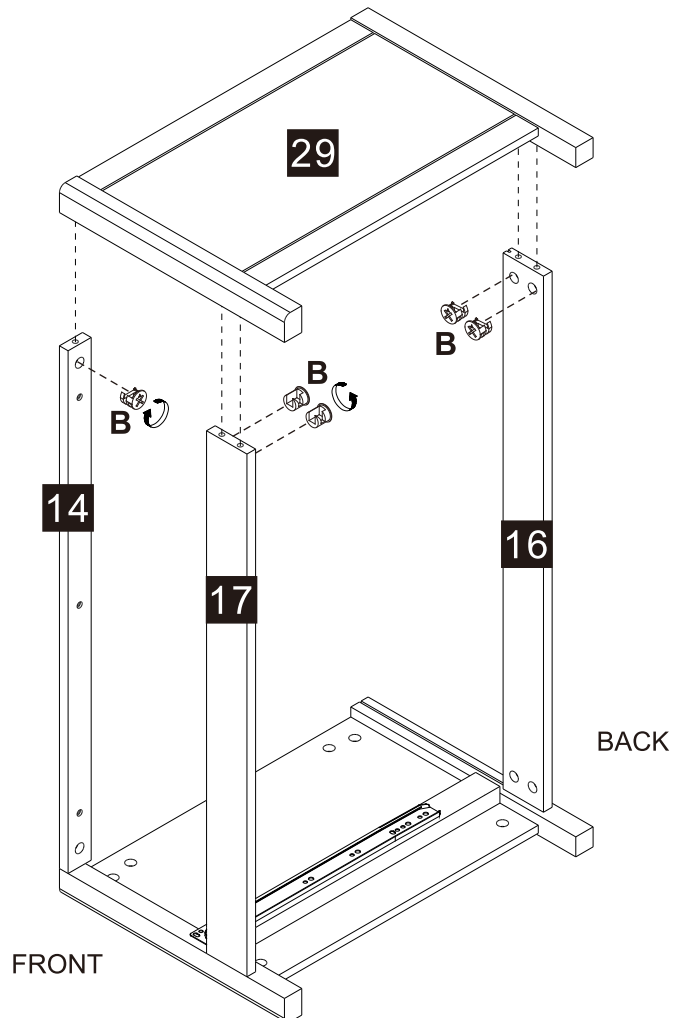
Step 6



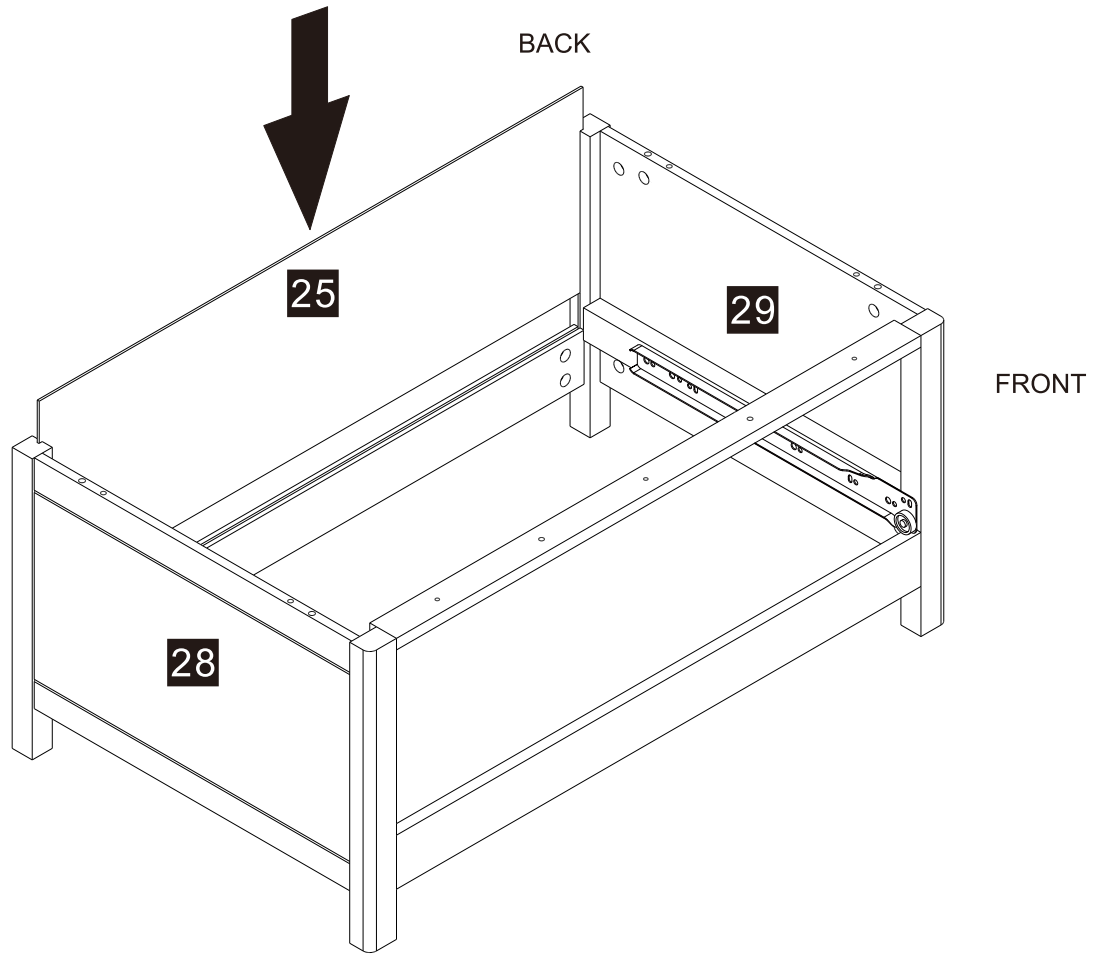
Step 7



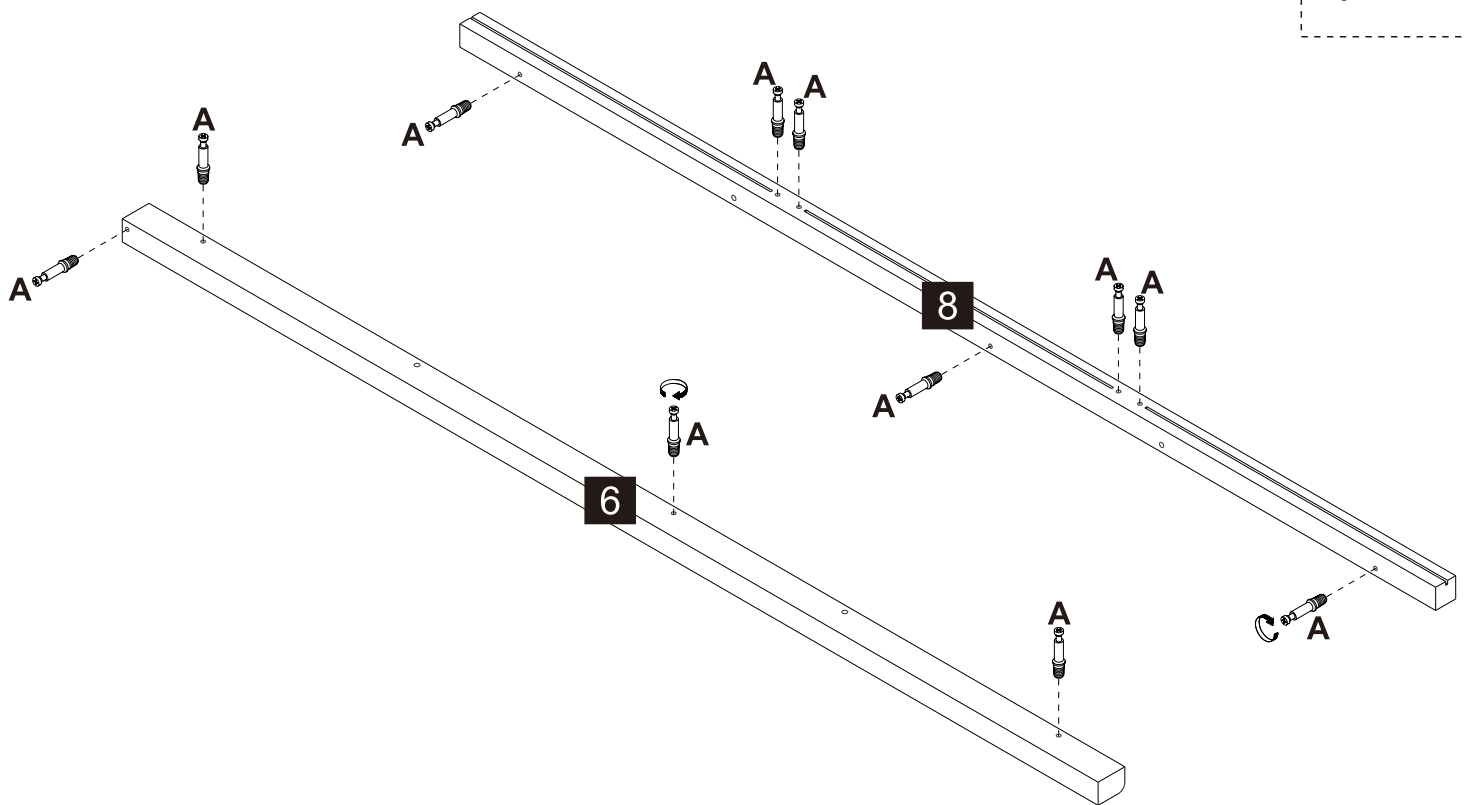
Step 8



Step 9

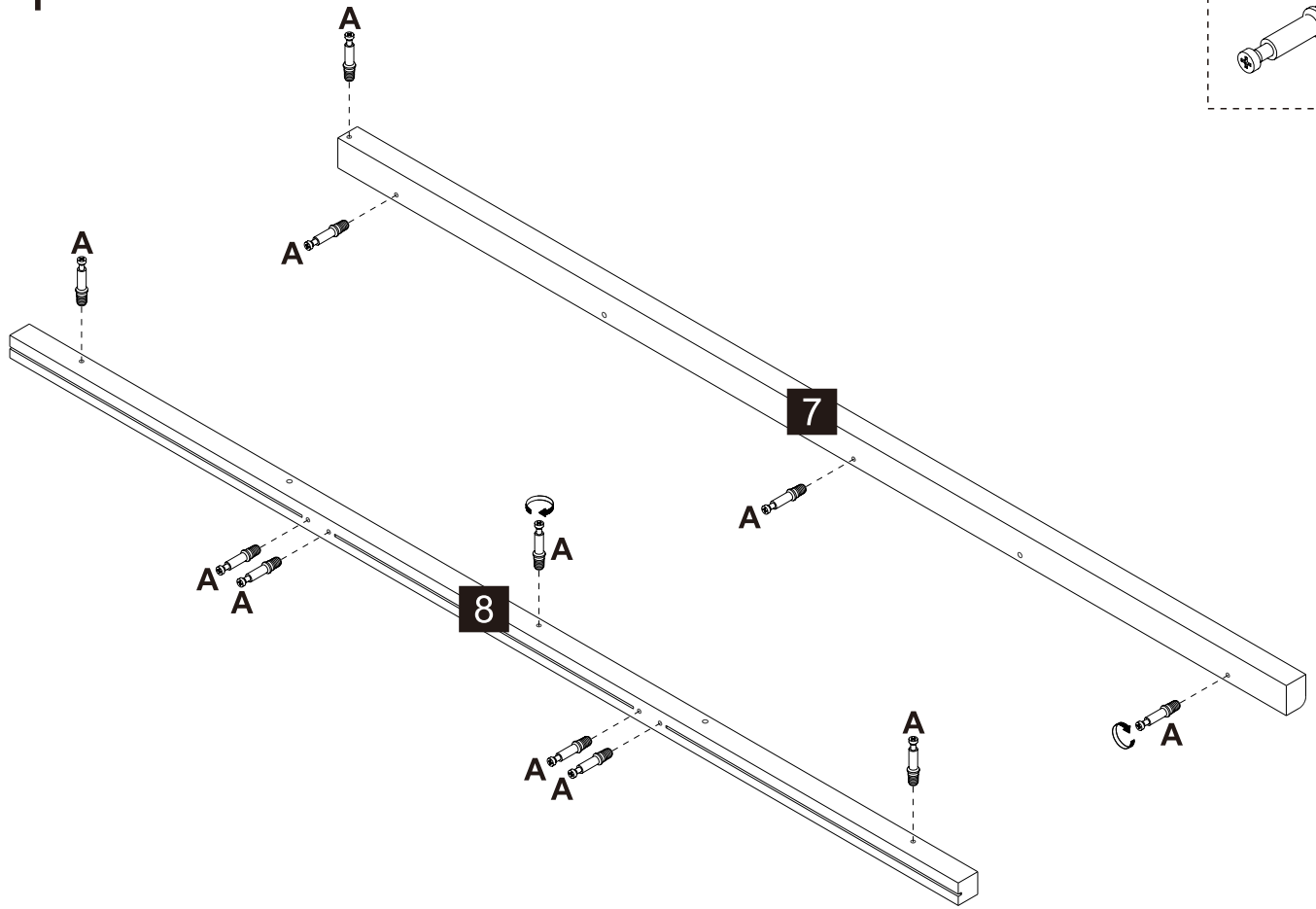
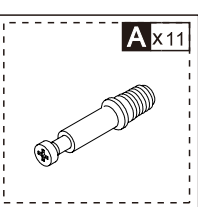


Step 10



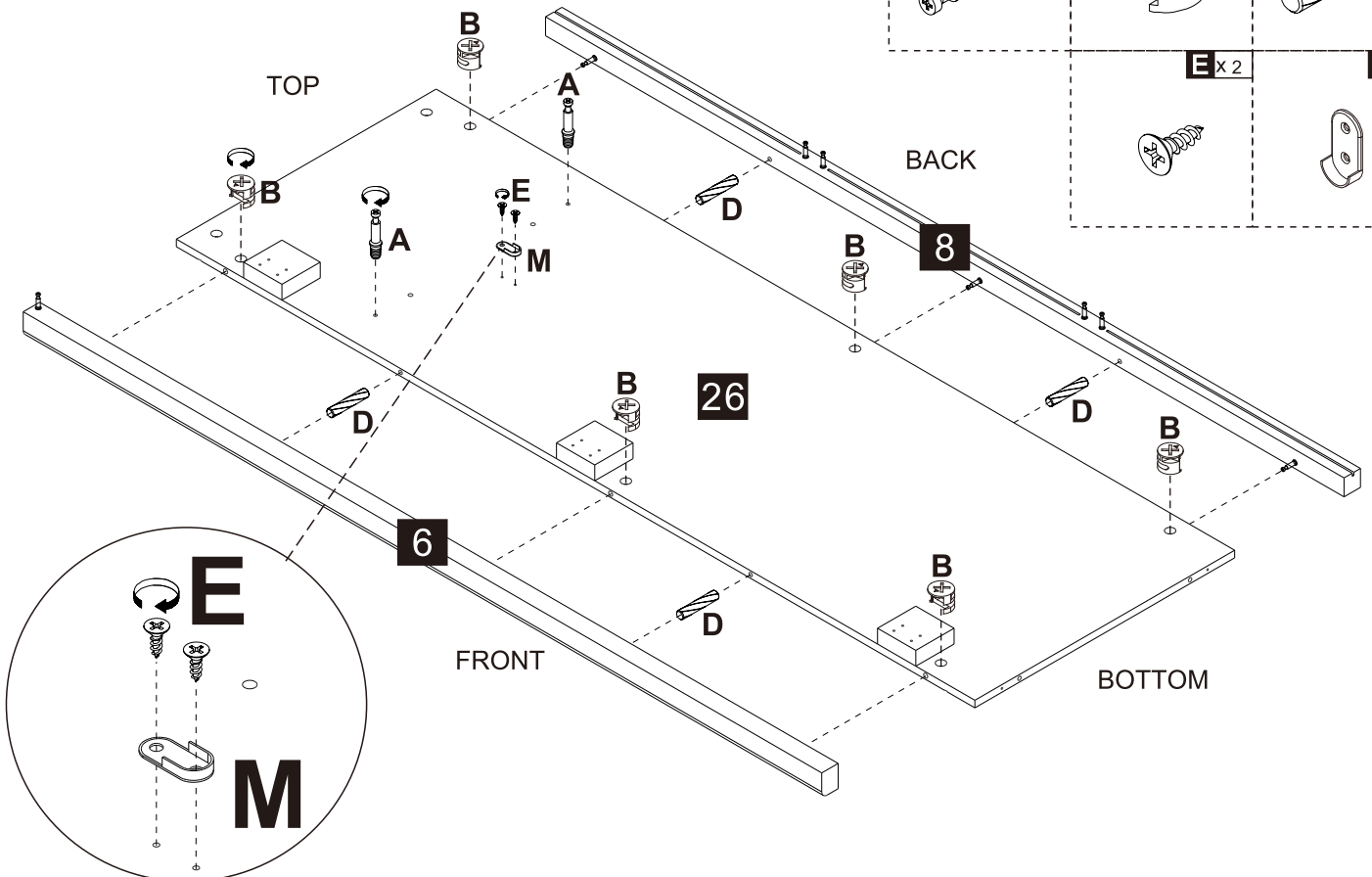
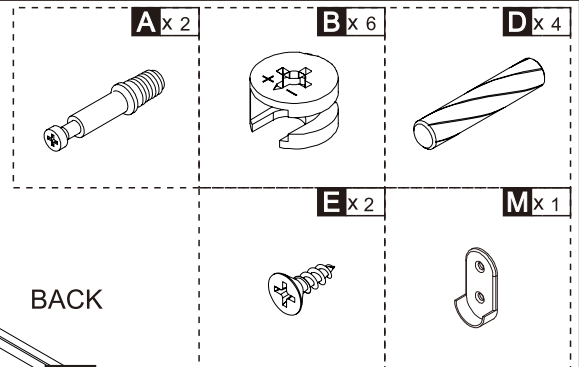
ENSURE COMPONENTS ARE THE CORRECT WAY

Step 11



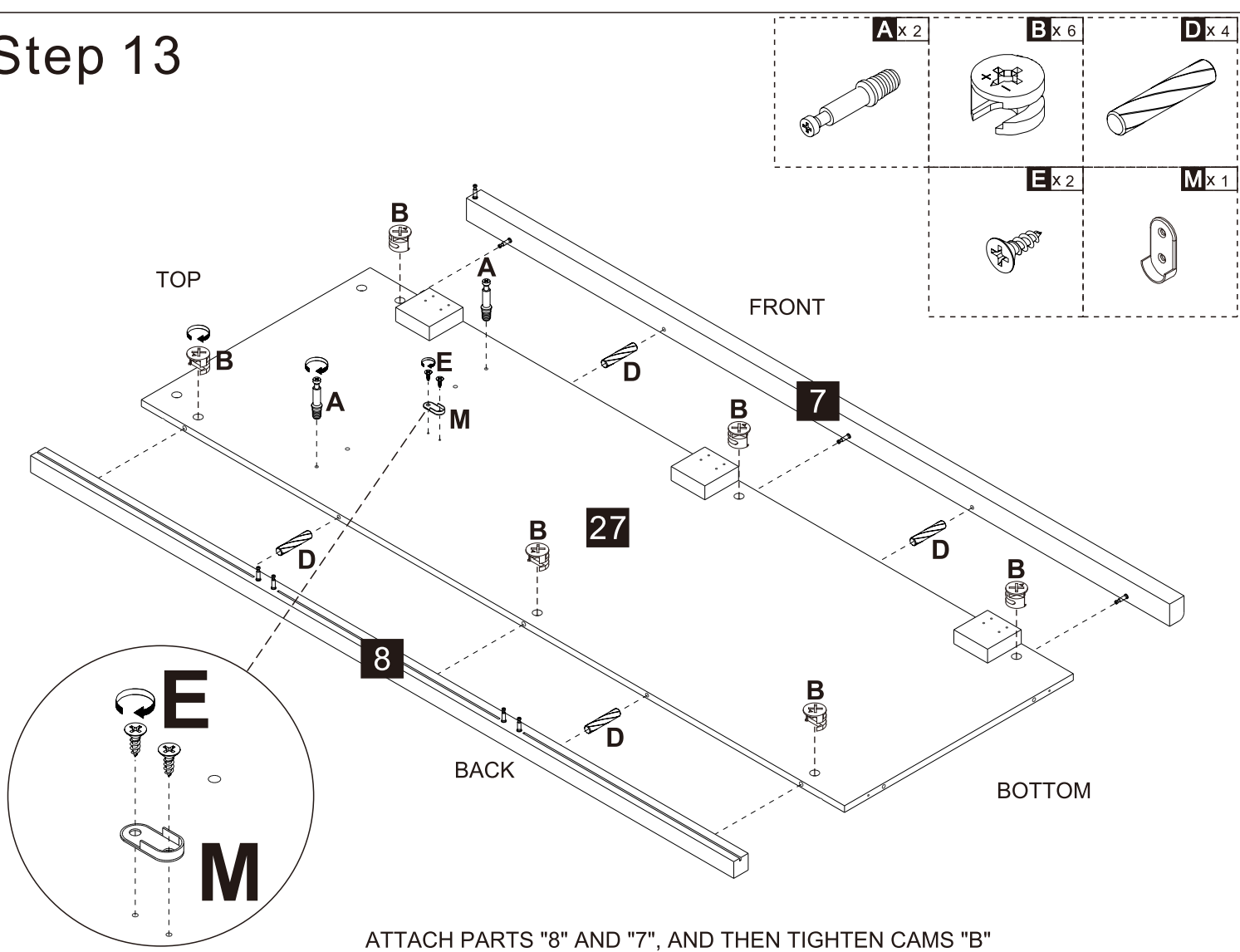
ENSURE COMPONENTS ARE THE CORRECT WAY

Step 12



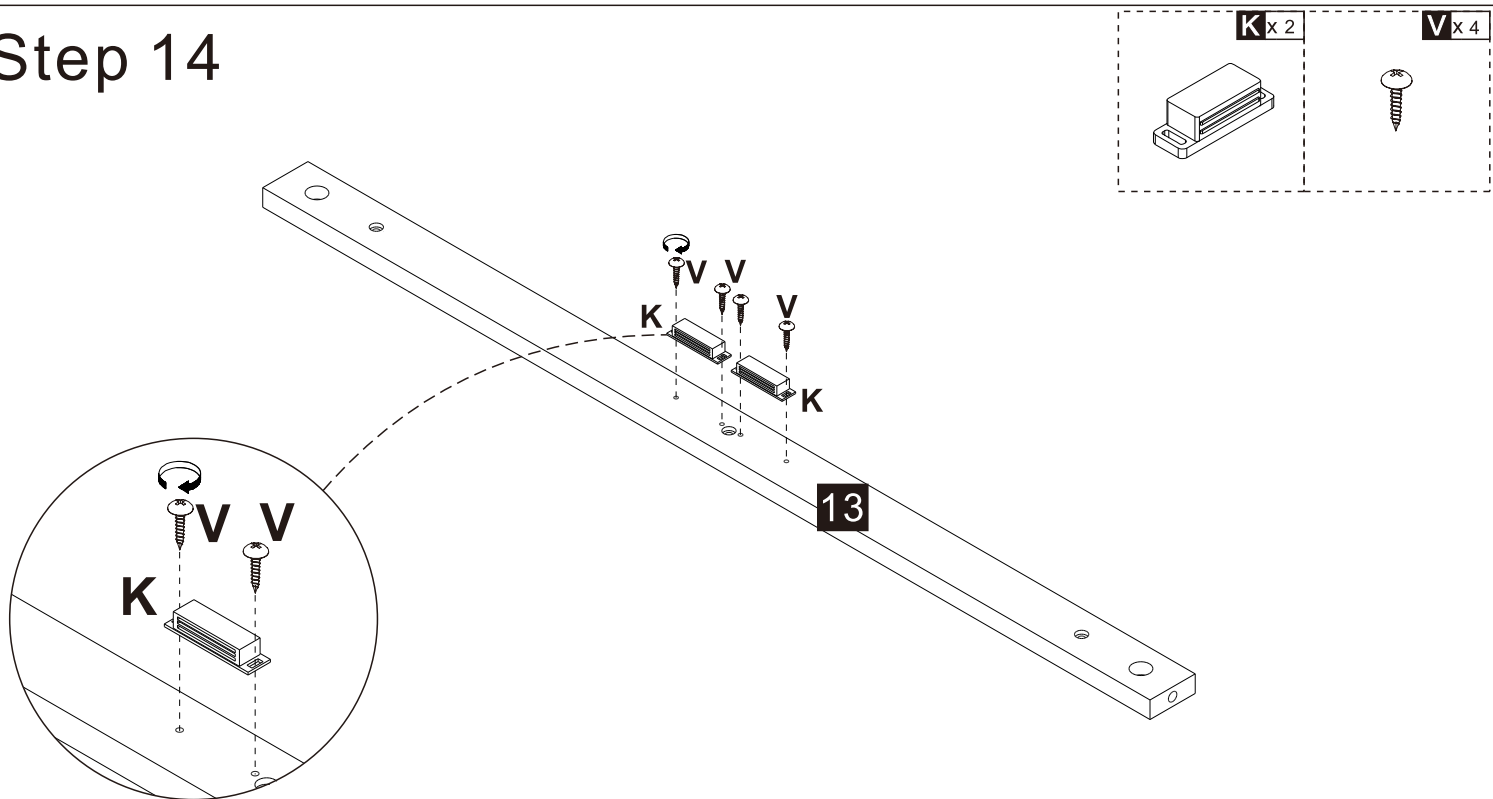
ATTACH PARTS "6" AND "8" ,AND THEN TIGHTEN CAMS "B"

Step 13

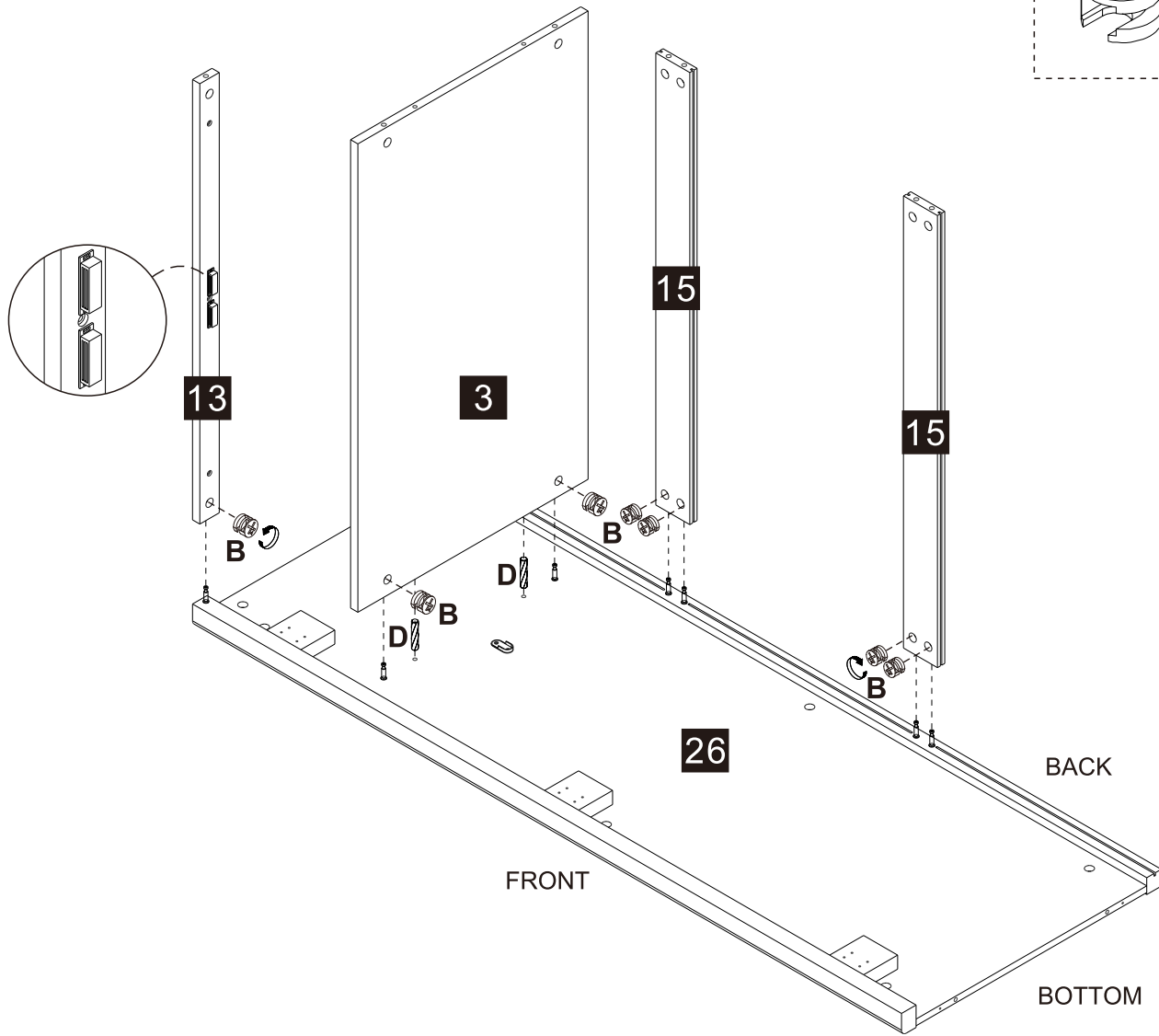
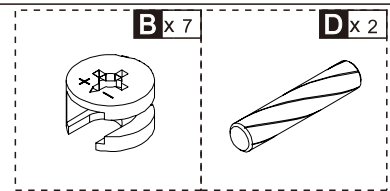


ATTACH PARTS "8" AND "7", AND THEN TIGHTEN CAMS "B"

Step 14

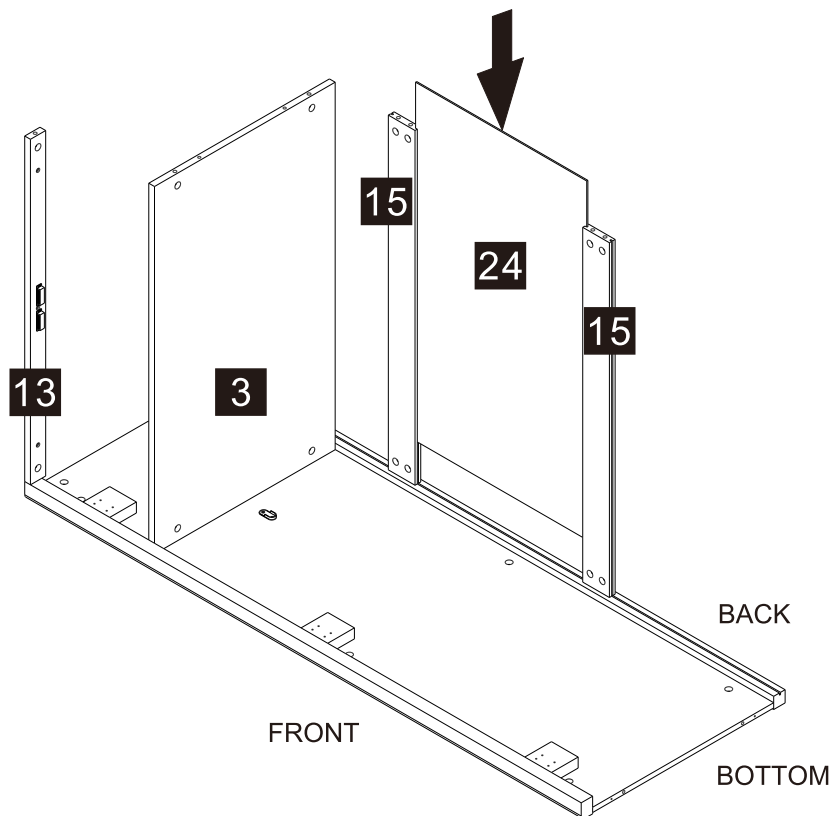


Step 15

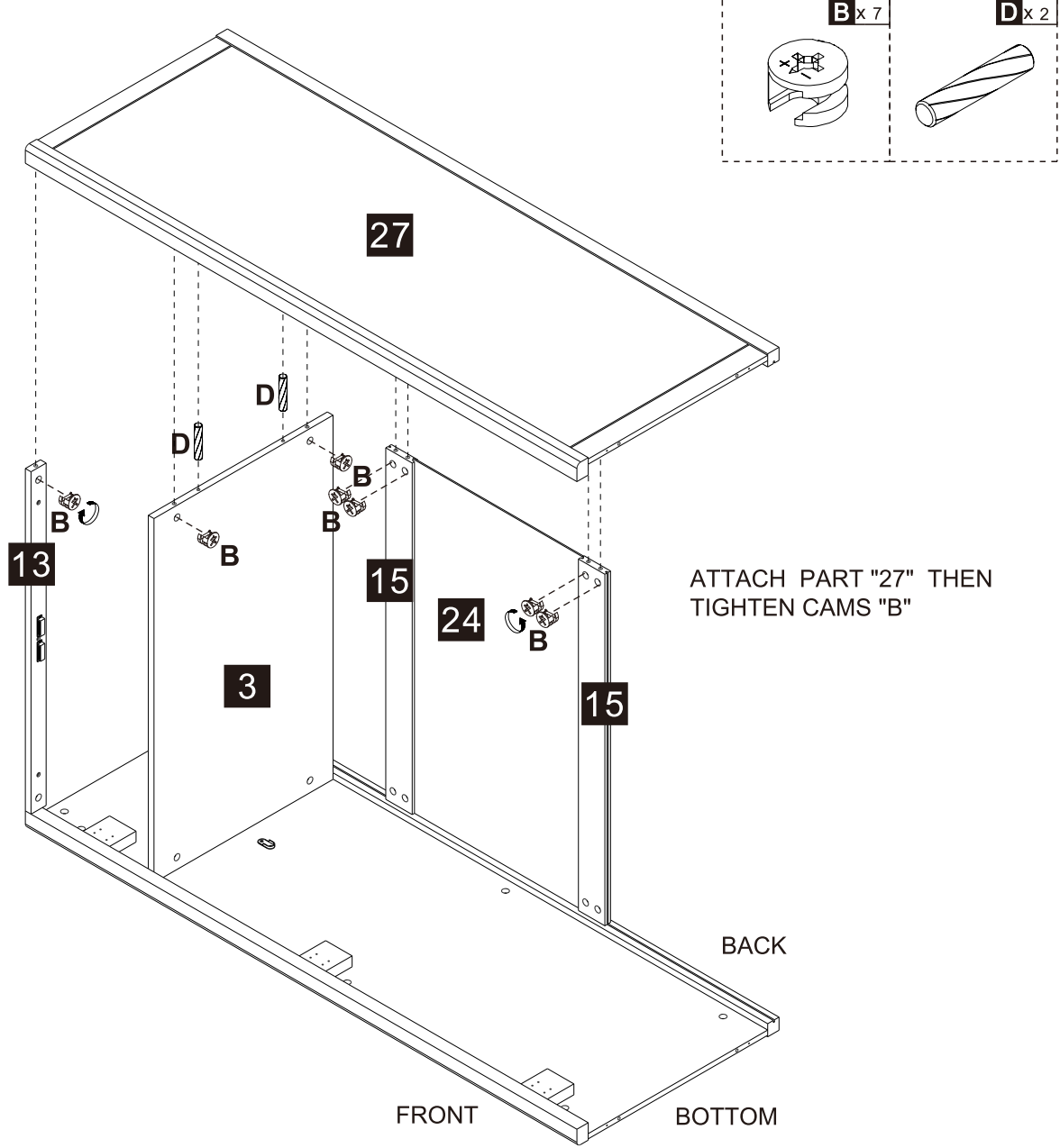


ATTCH PARTS "3,13,15" THEN TIGHTEN CAMS "B"

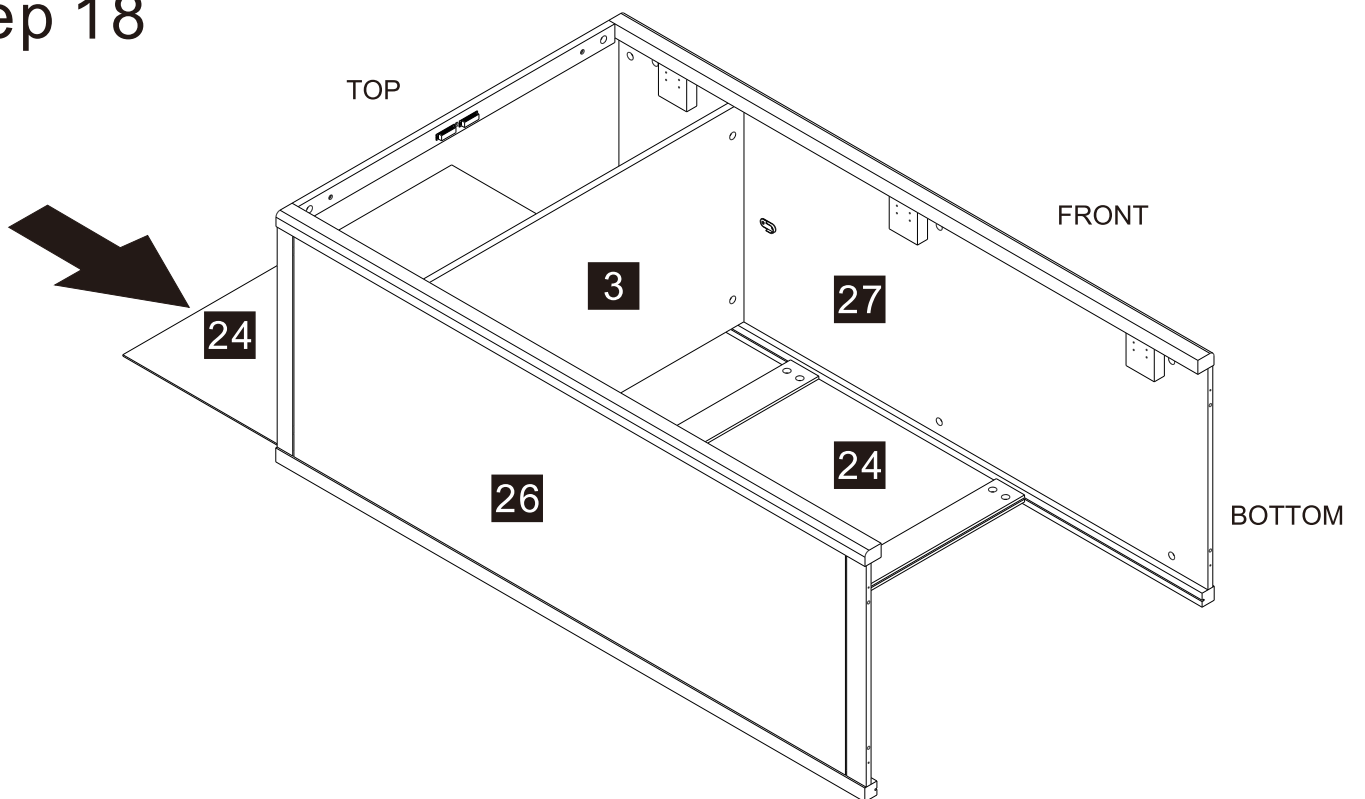
Step 16



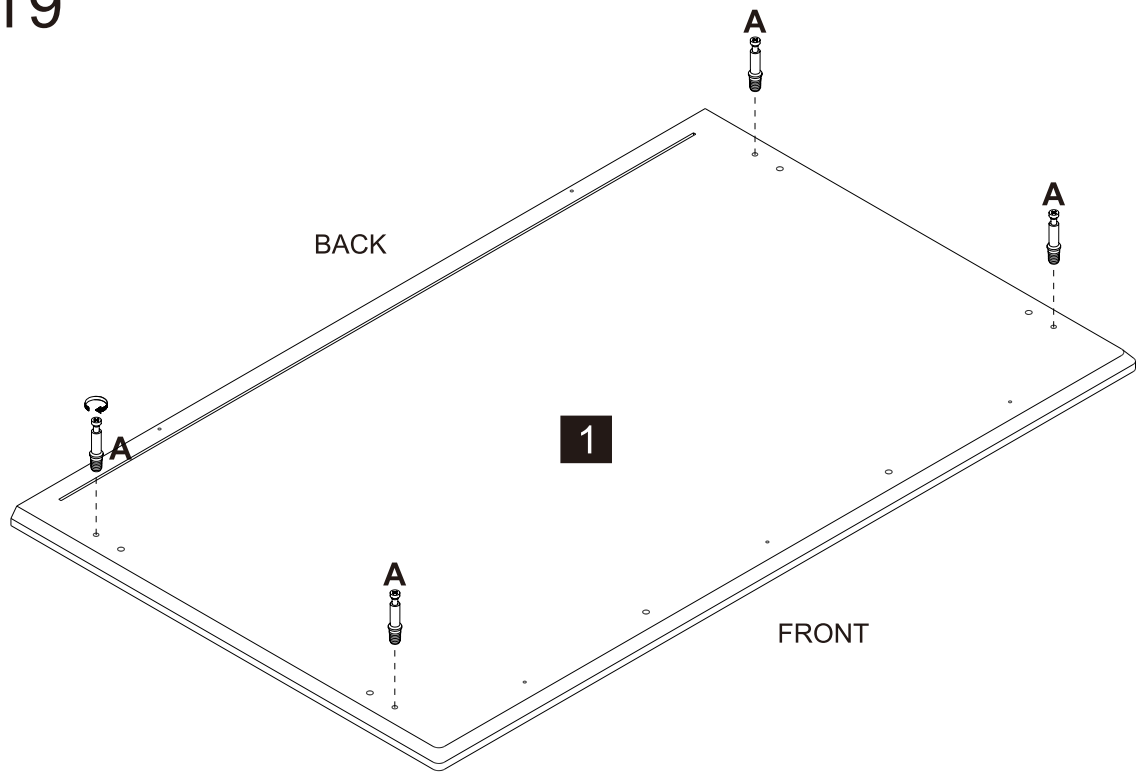
Step 17



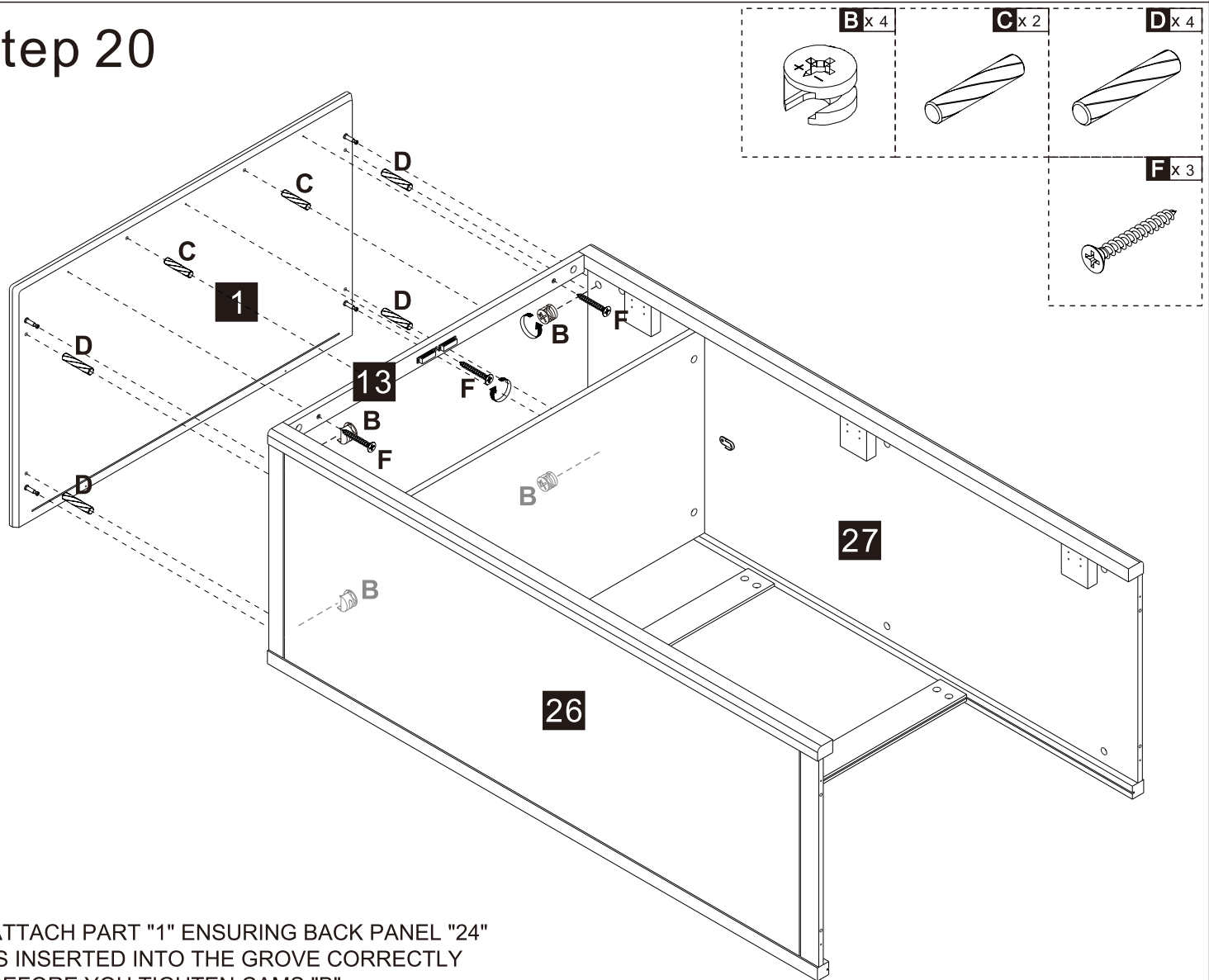
Step 18



Step 19

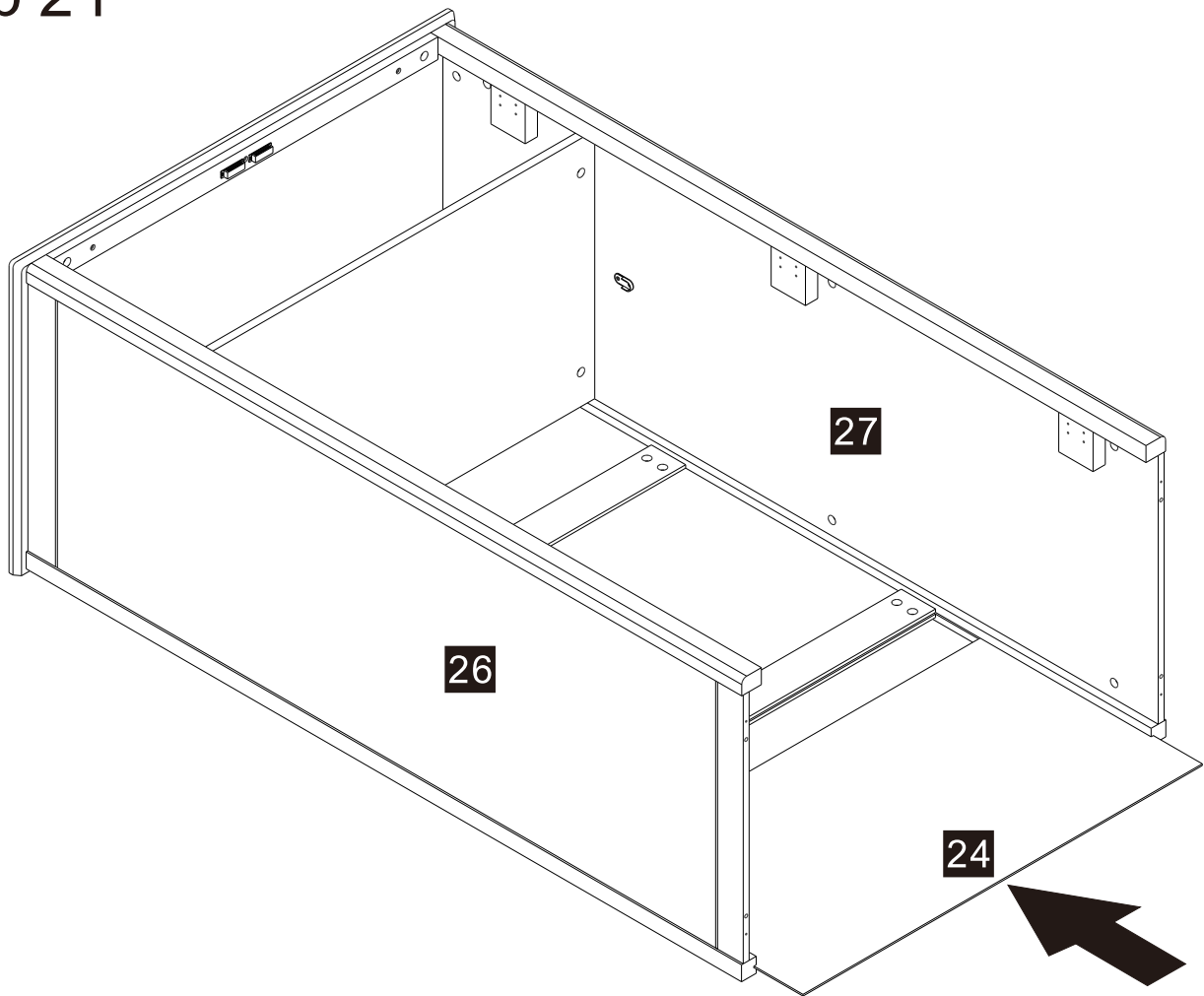


Step 20

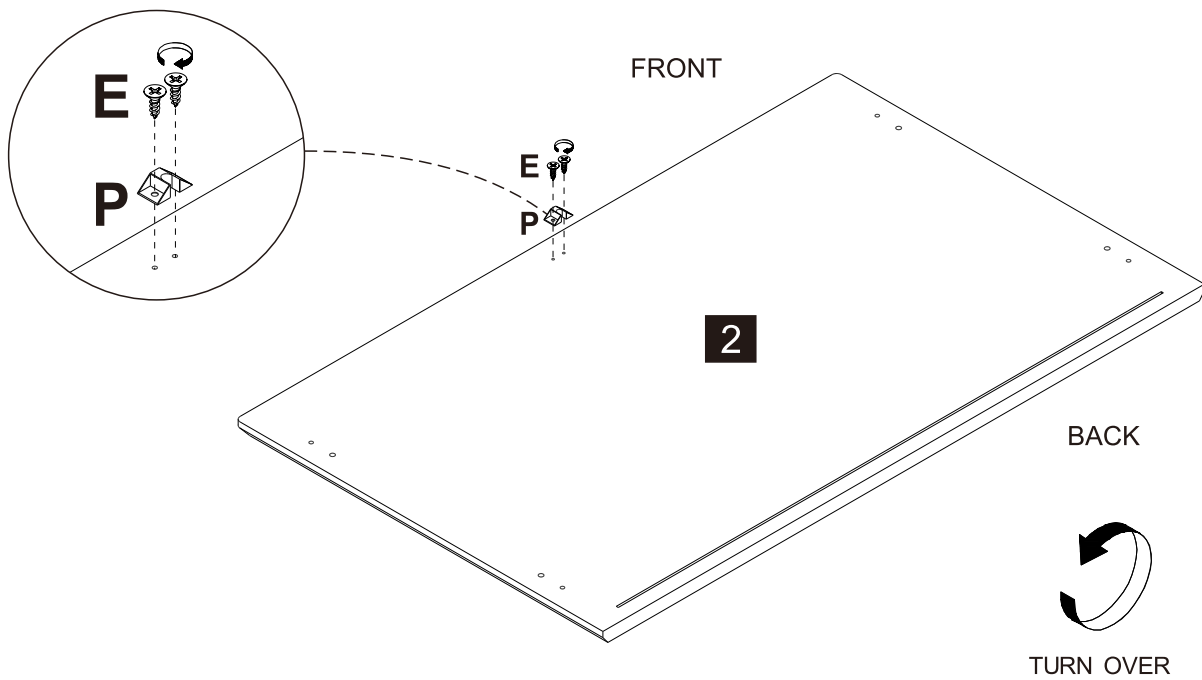
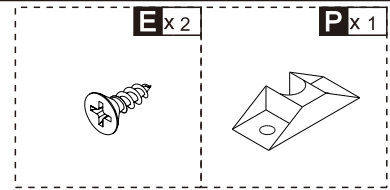


ATTACH PART "1" ENSURING BACK PANEL "24" IS INSERTED INTO THE GROVE CORRECTLY BEFORE YOU TIGHTEN CAMS "B"

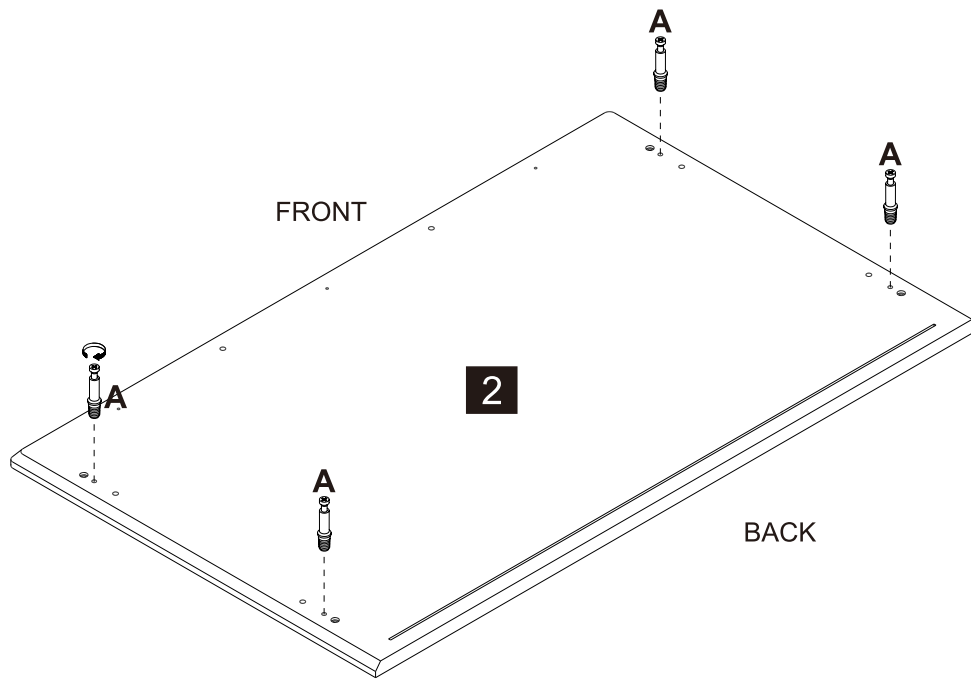
Step 21



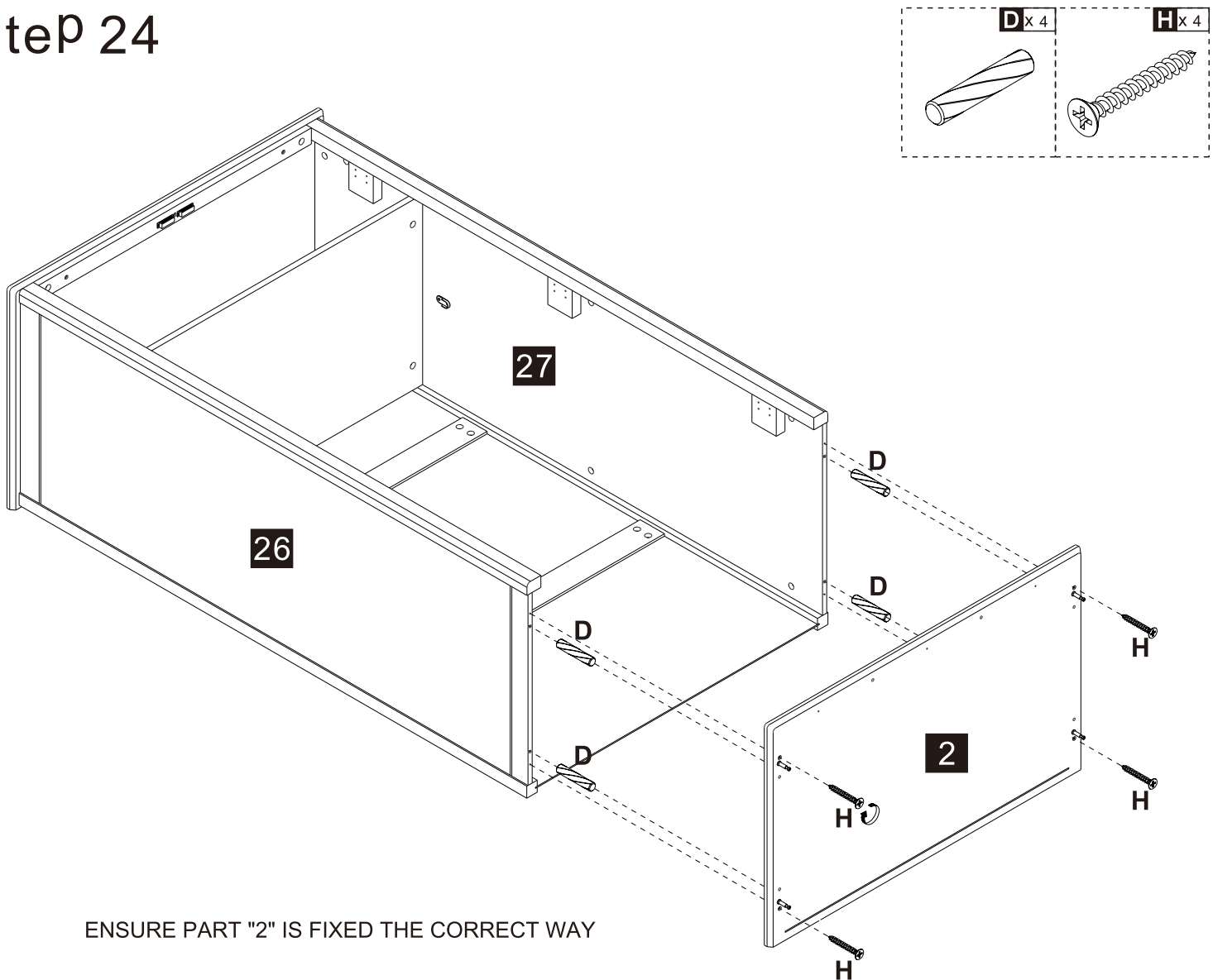
Step 22



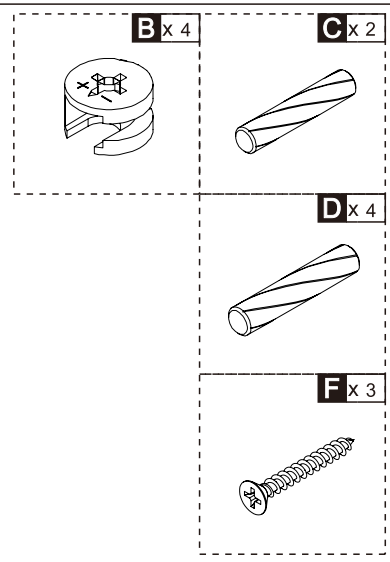
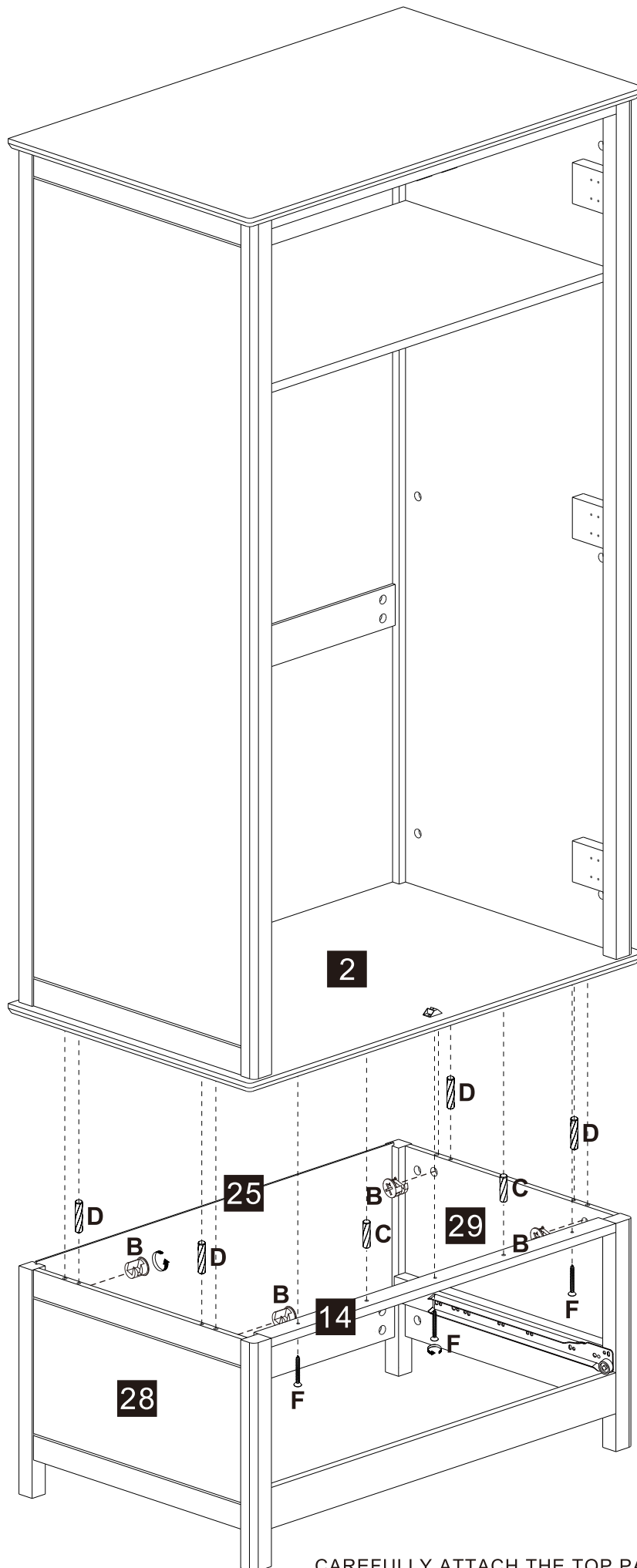
Step 23



Step 24

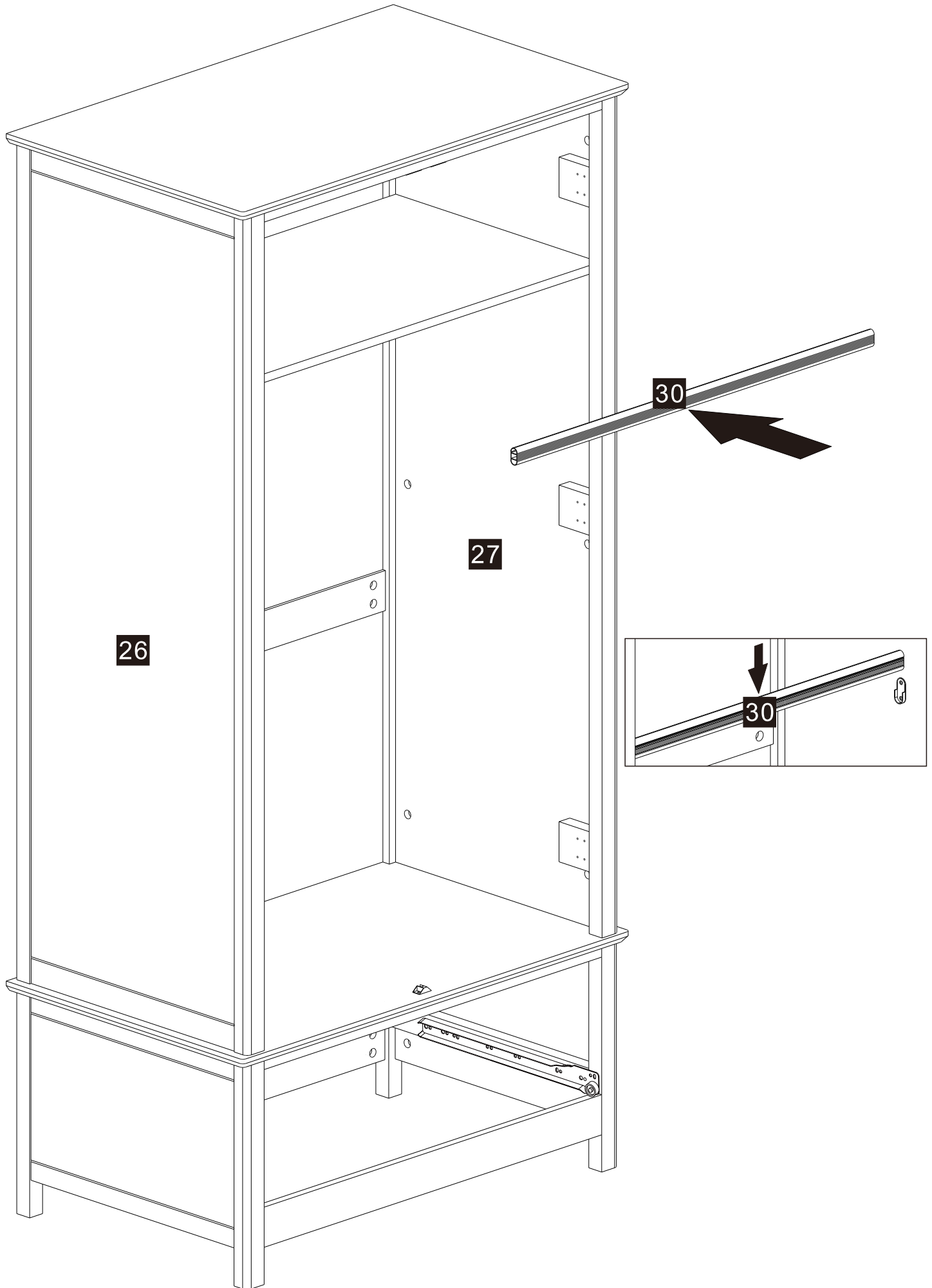


Step 25

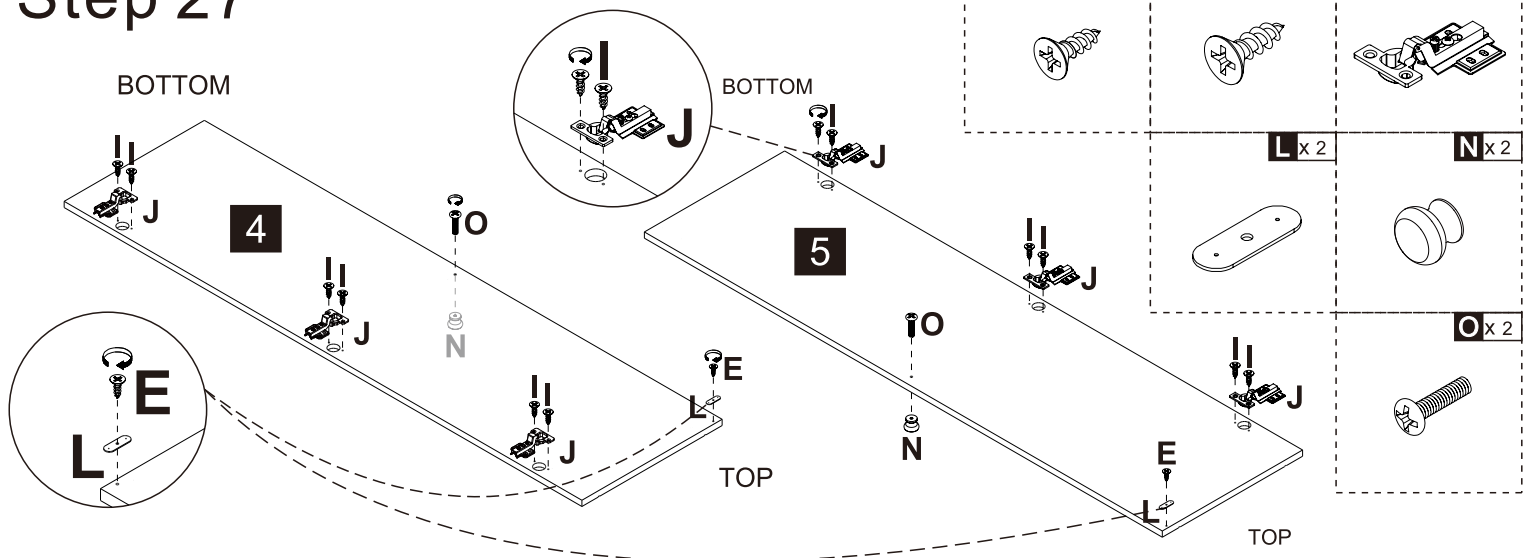


CAREFULLY ATTACH THE TOP PART OF THE WARDORBE ENSURING THE BACK PANEL "25" IS INSERTED INTO THE GROVE CORRECT BEFORE TIGHTEN CAMS "B"

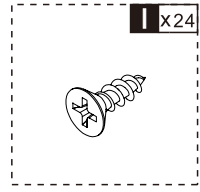
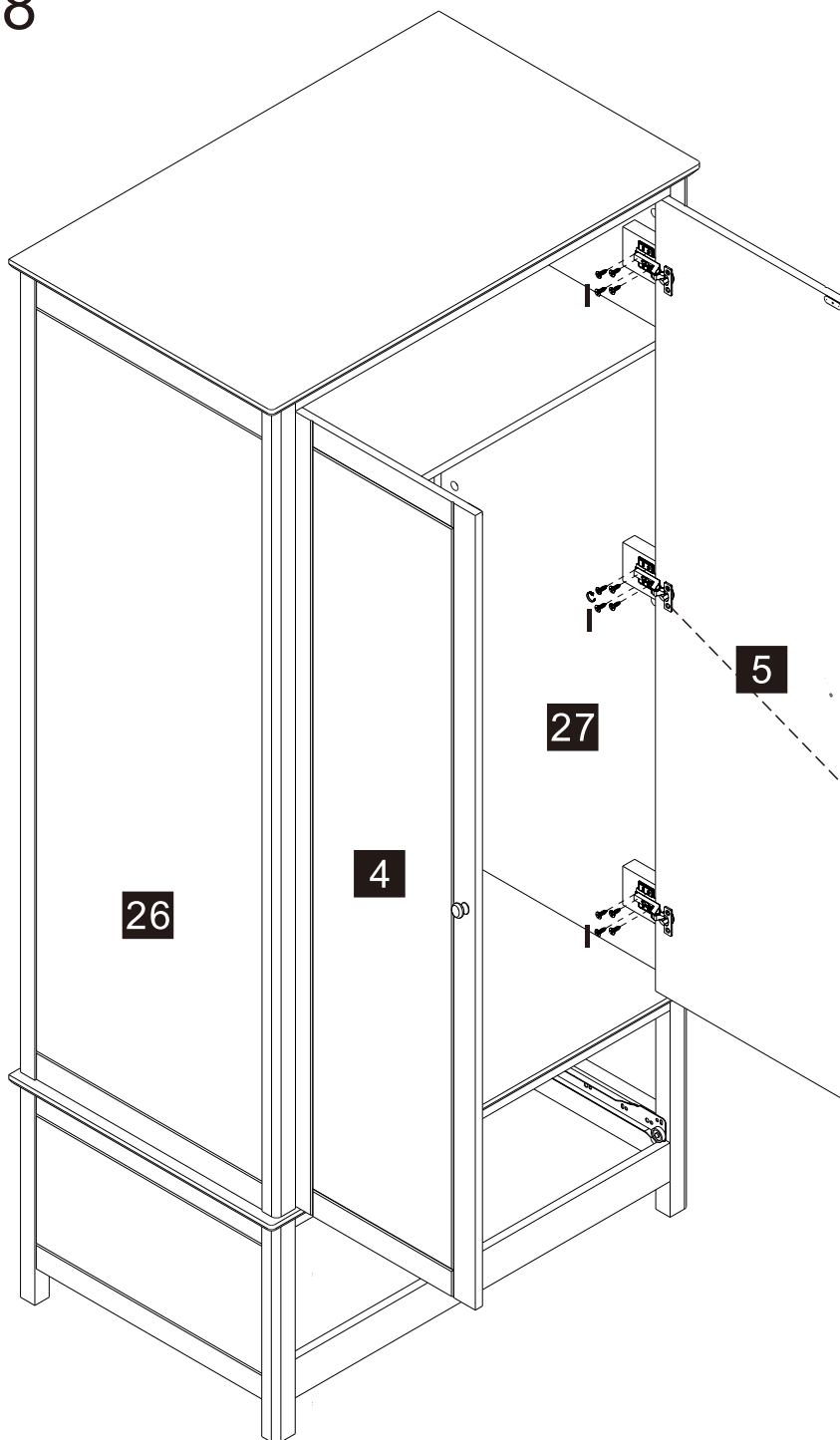
Step 26



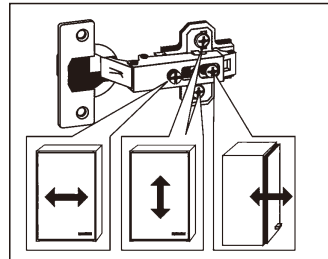
Step 27



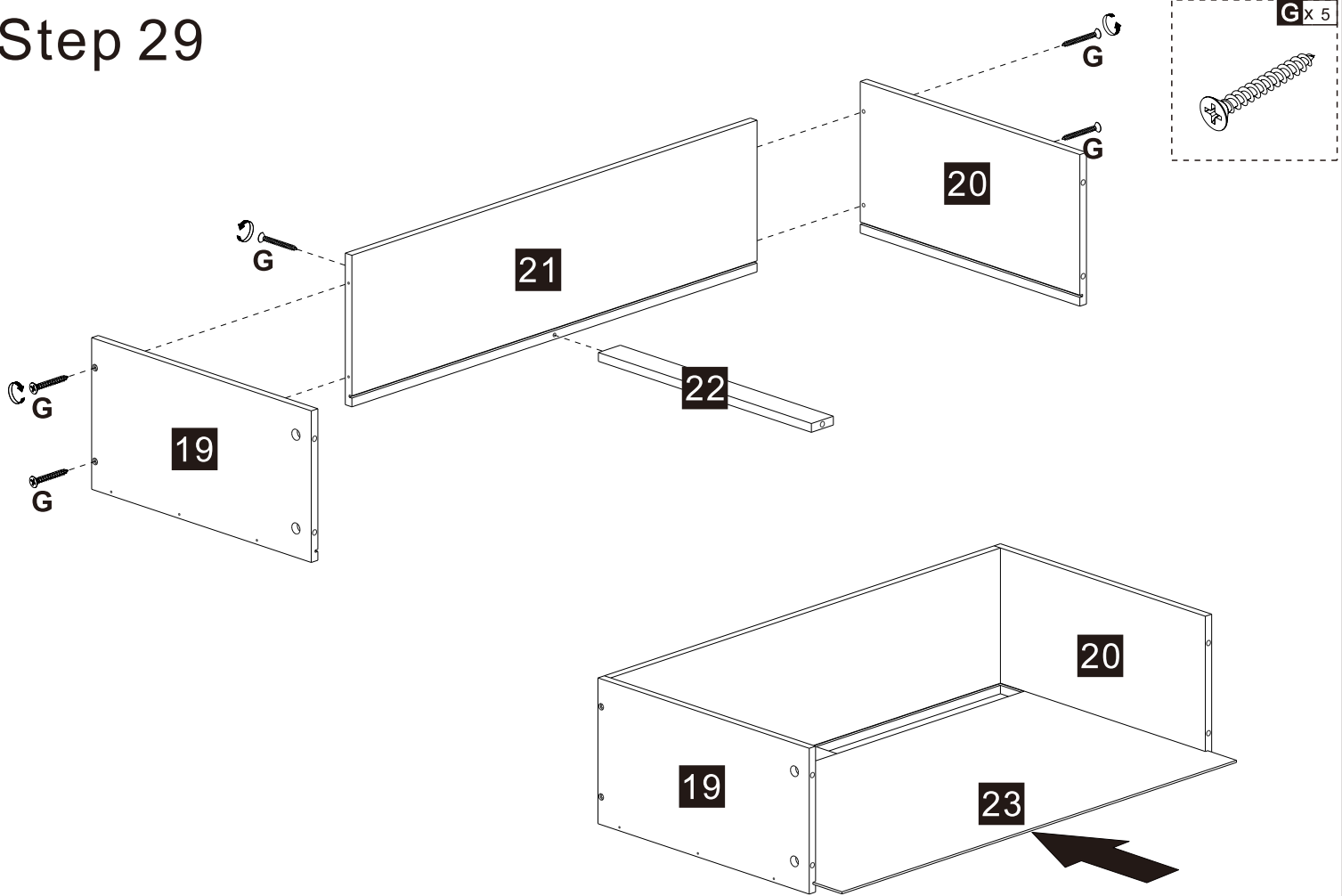
Step 28



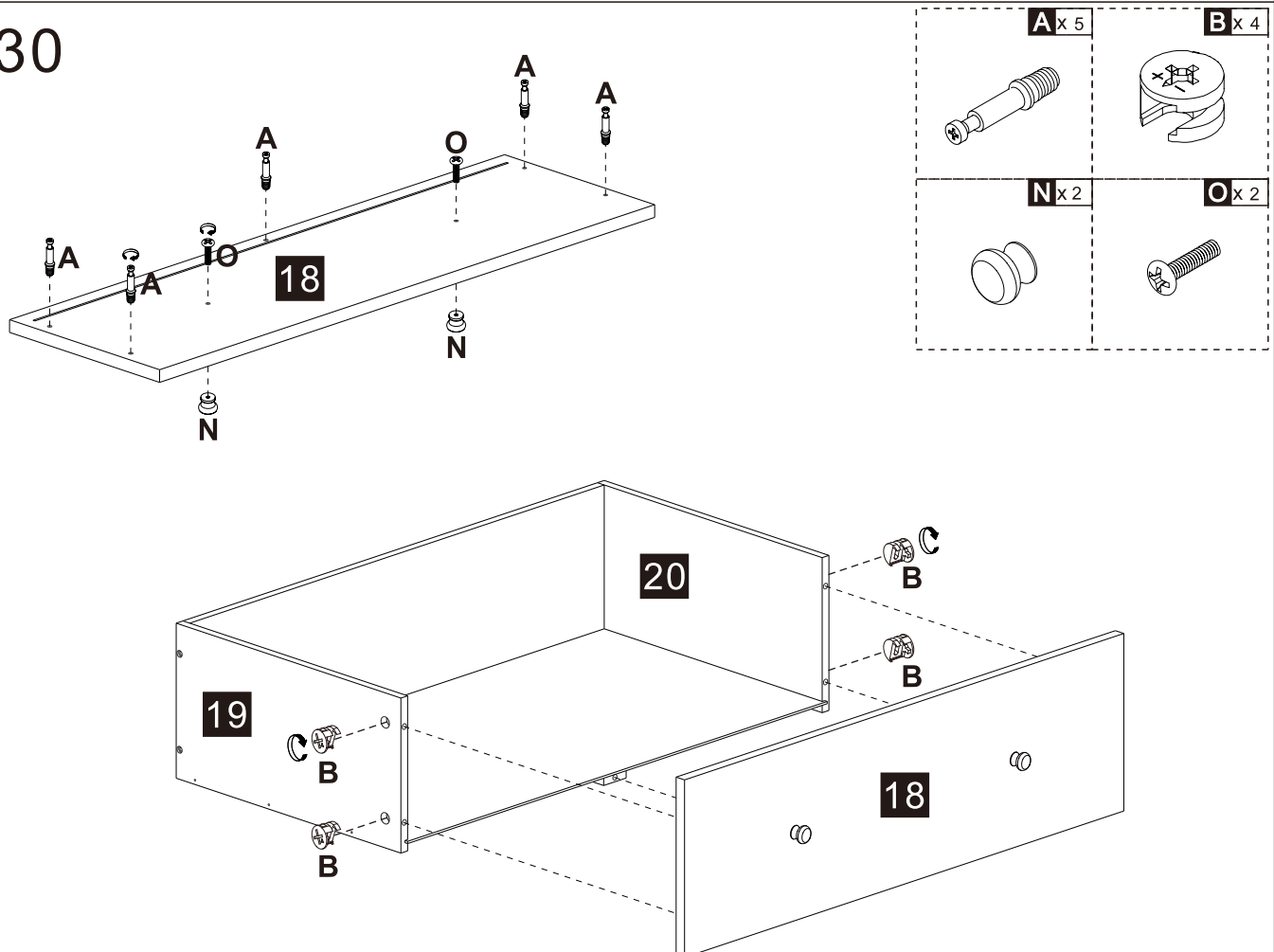
SEE ADJUSTMENT PAGE



Step 29

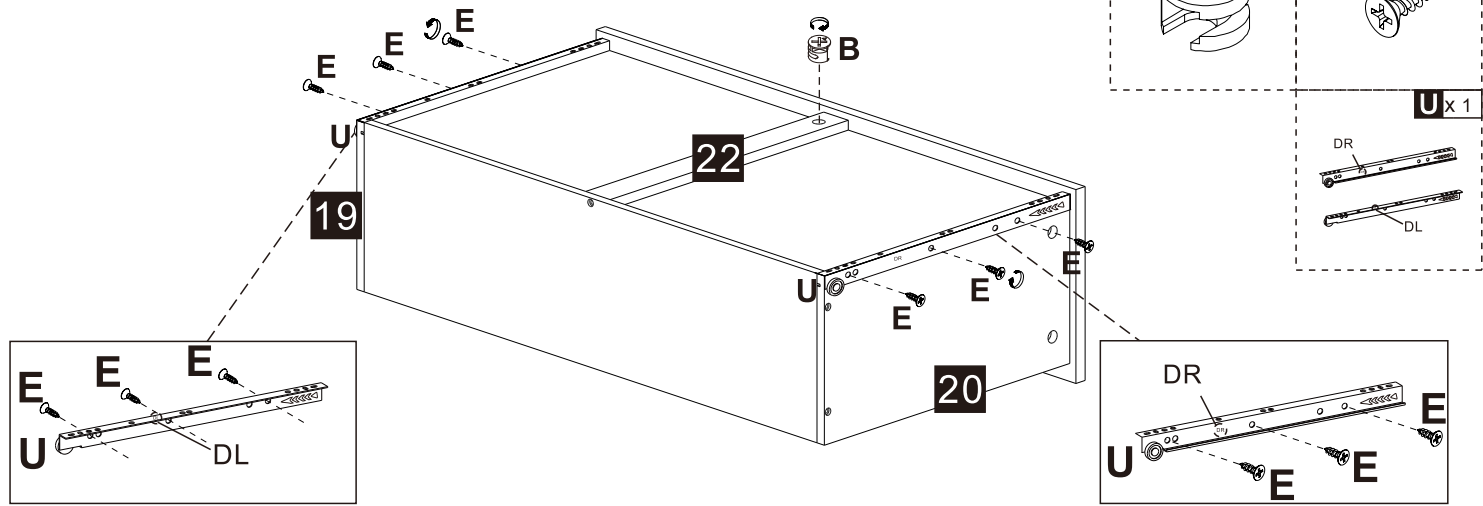


Step 30

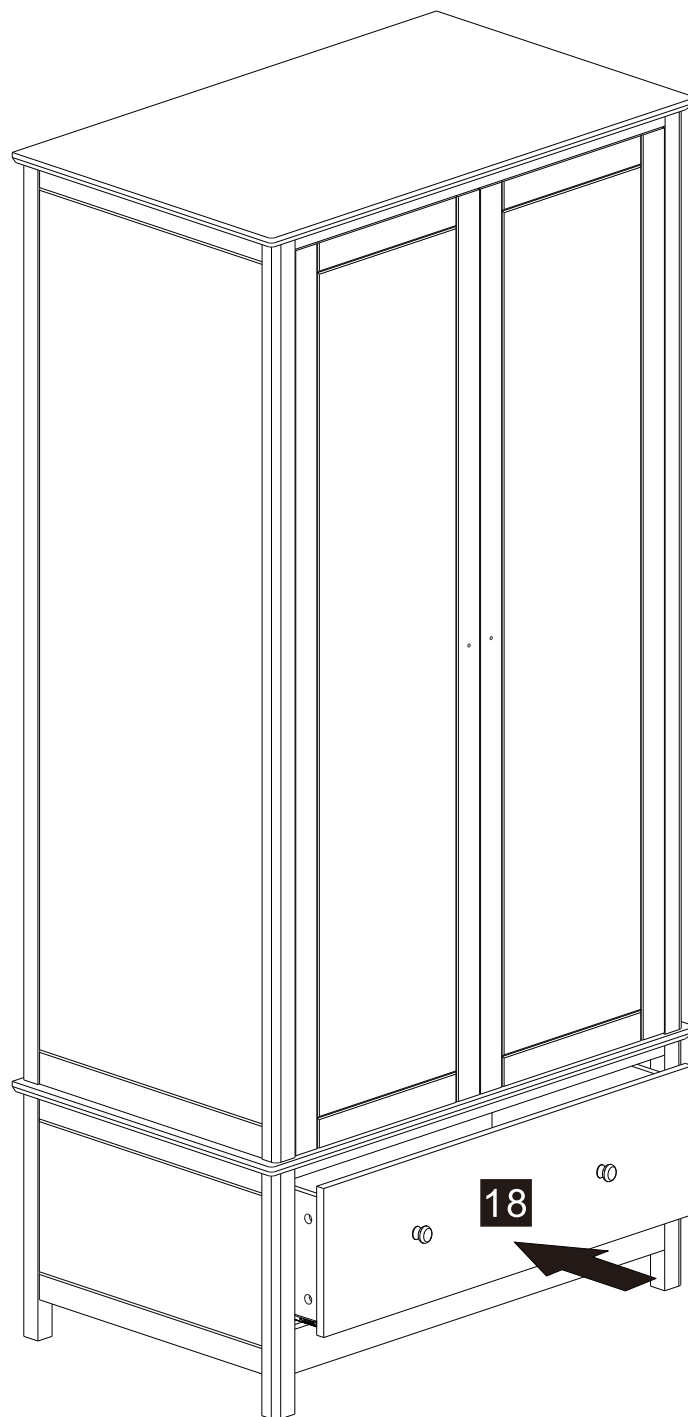


ATTACH DRAWERS FRONT "18" AND THEN TIGHTEN CAMS "B"

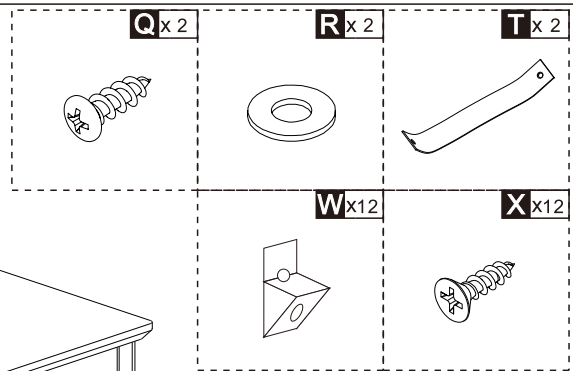
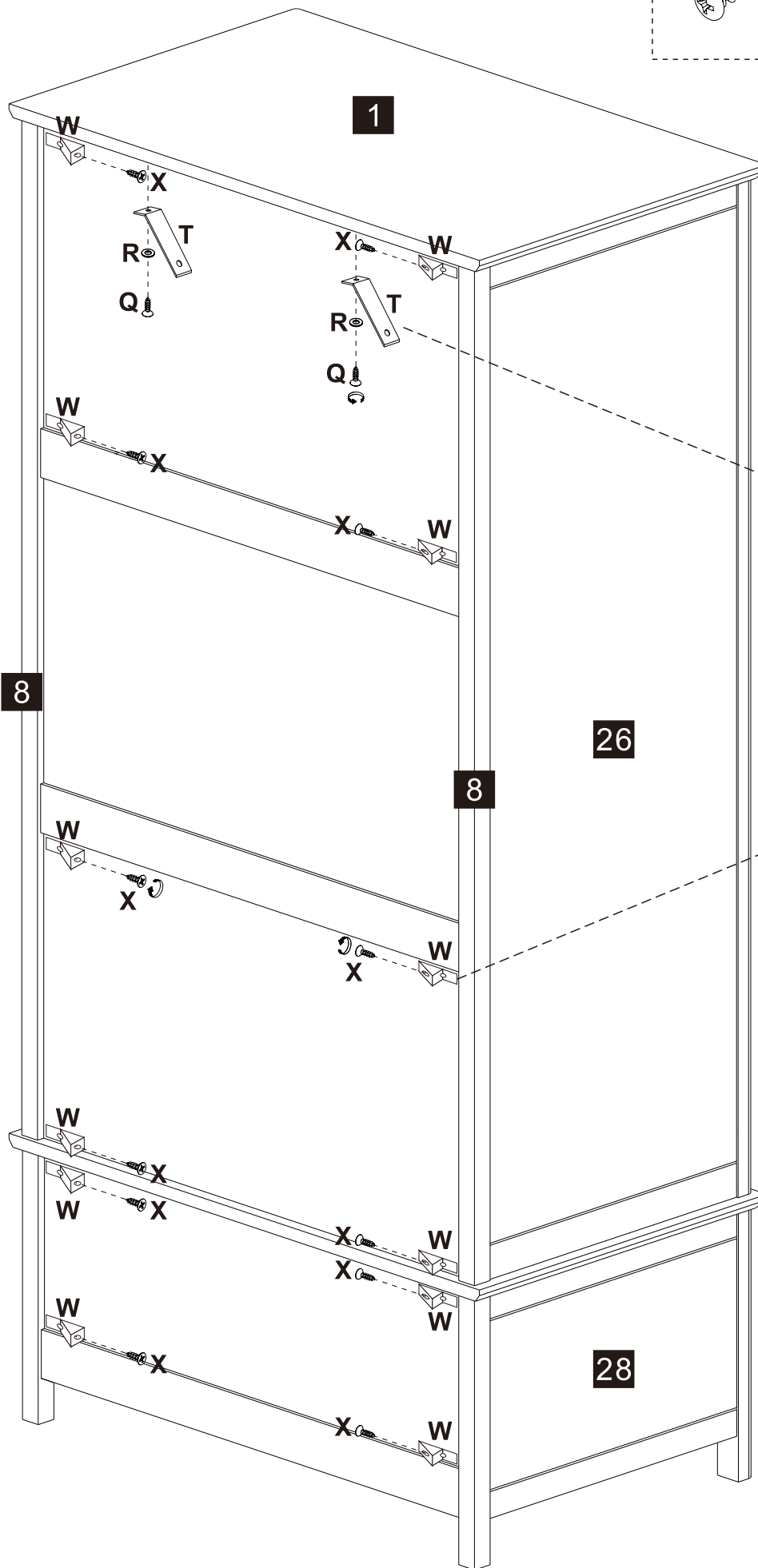
Step 31



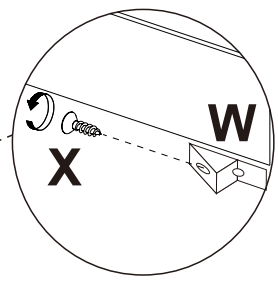
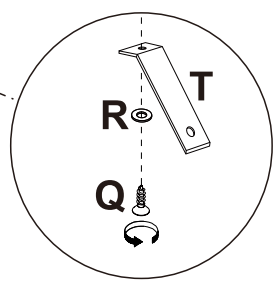
Step 32



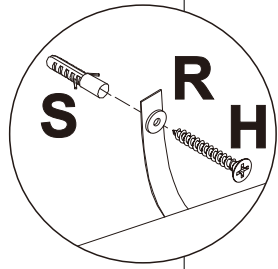
Step 33



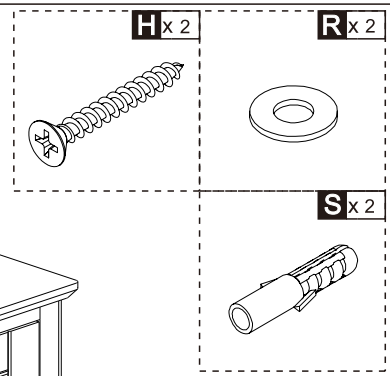
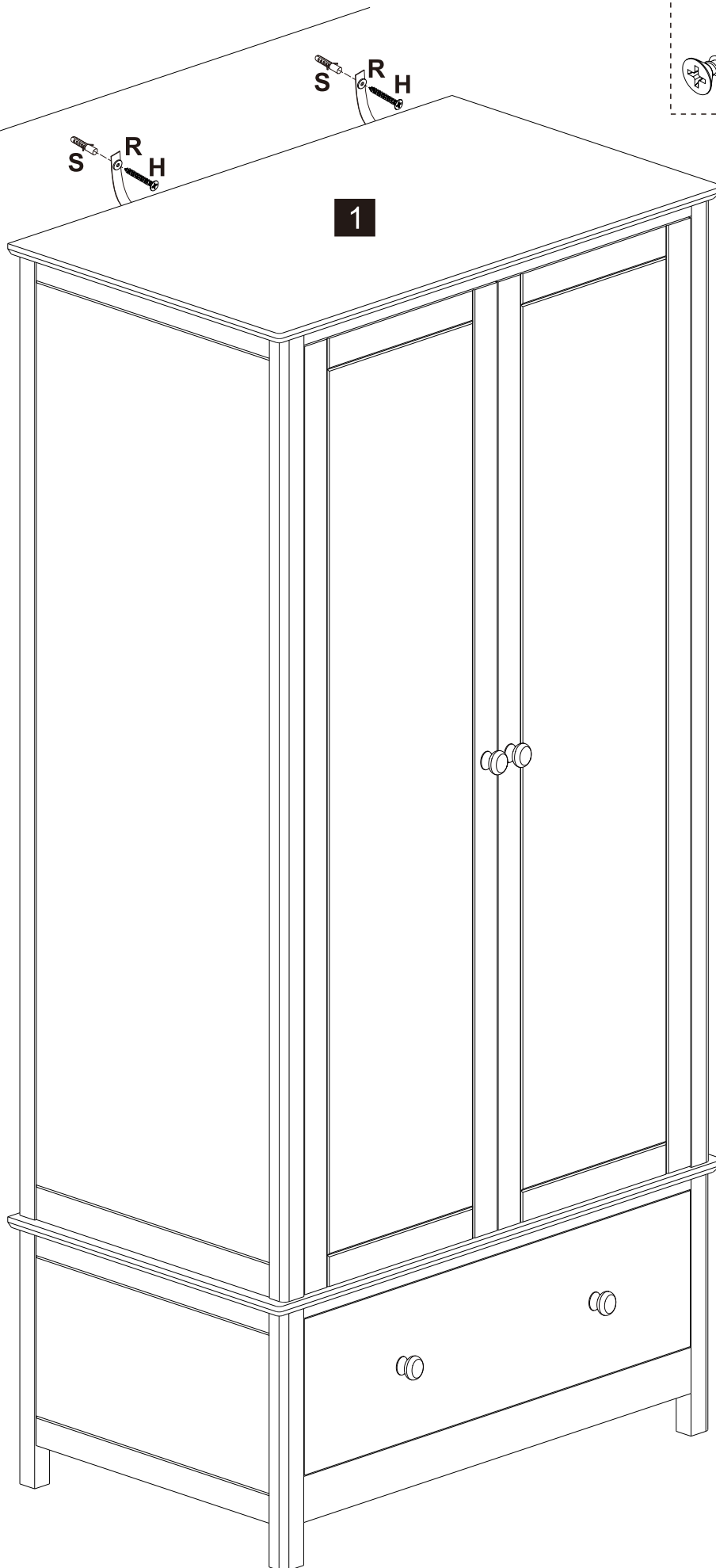
ATTACH THE FIXING STRIP TO THE BACK EDGE OF FURNITURE TOP USING THE 14MM SCREW + WASHER AND SECURELY TIGHTEN



Step 34



SEE WARNING BEFORE
FIXING TO WALL



ONCE WARDROBE IS IN PLACE
ADJUST DOORS TO LEVEL
(SEE ADJUSTMENT PAGE)

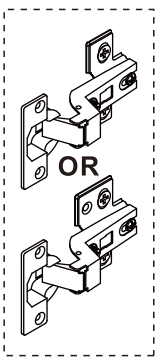
IMPORTANT NOTICE

Please avoid opening all drawers or doors simultaneously as this could cause your furniture to fall forwards. Where there is a risk of this occurring, especially in environments with children or uneven floors we recommend that this item of furniture is attached to your wall using appropriate fixings (supplied). you may need a specialised fitting for your wall if it is not solid or brick, this is not supplied

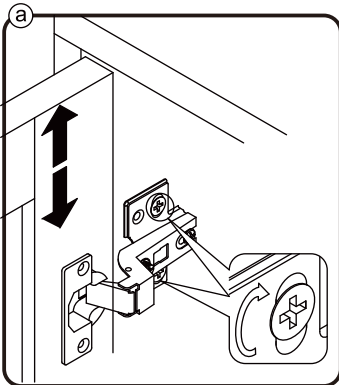
WARNING: CHECK FOR HIDDEN PIPES AND CABLES BEFORE DRILLING.

IMPORTANT: IF YOUR WALLS ARE NOT SOLID LIKE BRICK OR STONE, YOU WILL REQUIRE SPECIALIST FITTINGS (NOT SUPPLIED).

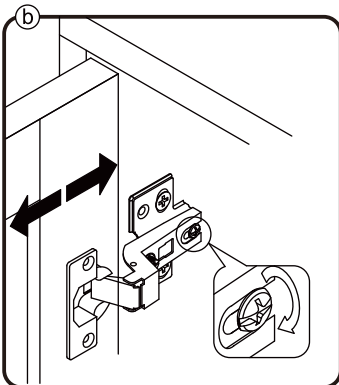
- 1 • Place fixing strip against the wall and mark position for drilling hole.
(if your wall is solid wood ,move to step 4).
- 2 • Drill hole in your wall to a depth of 30mm using a 6mm drill bit. If the surface of your wall is soft and crumbly, we would advise you to use a 5mm drill bit for a tighter fit.
- 3 • Insert plug into hole with end flush to the wall surface.
- 4 • Attach fixing strip to the wall using the 25mm screw + washer and securely tighten.



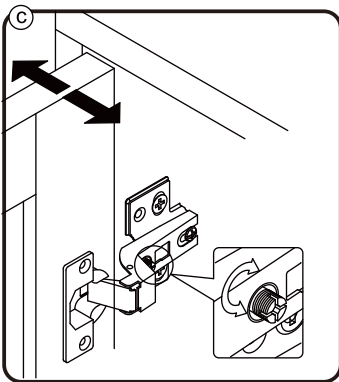
EN It may be necessary to adjust the hinges so that the doors align. Use the instructions below as a guide.



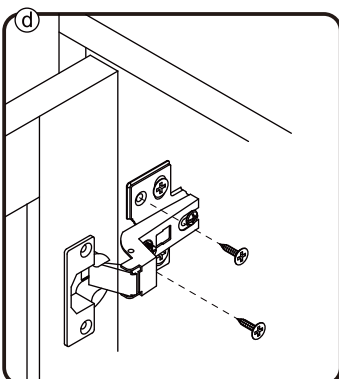
EN To adjust the door vertically loosen the screw as shown and move up and down as needed.



EN To adjust the gap from the door to the main frame turn the screw clockwise or anti-clockwise as needed.



EN To adjust the door laterally adjust the screw as shown by turning clockwise or anti-clockwise.



EN Please fix other screws