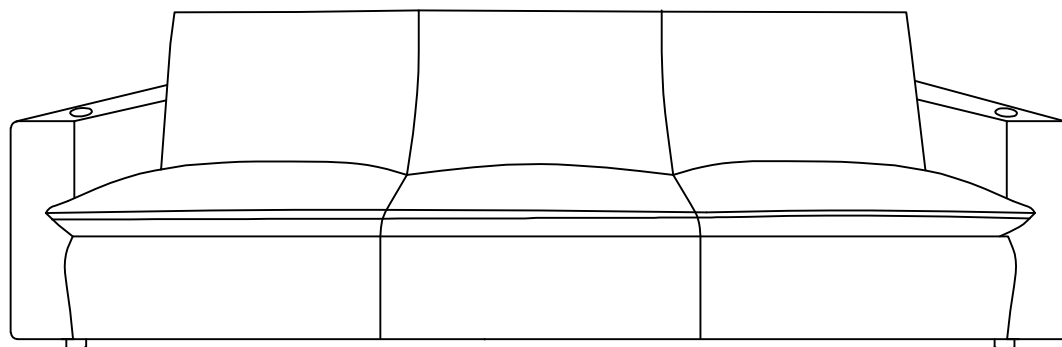


Assembly Instructions For 3-Seater Sofa

3-seater sofa contains 1 carton A, 1 carton B and 1 carton C.



Carton A



Base 1PC	Backrest 1PC	Armrest 1PC	Cushion 1PC	Cushion 1PC	Leg 4PCS	M6 Screw 8PCS

Carton B



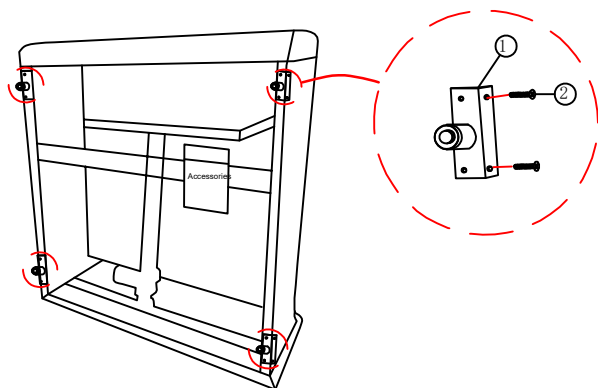
Base 1PC	Backrest 1PC	Cushion 1PC	Cushion 1PC	Leg 4PCS	M6 Screw 8PCS	Splitter 1PC

Carton C



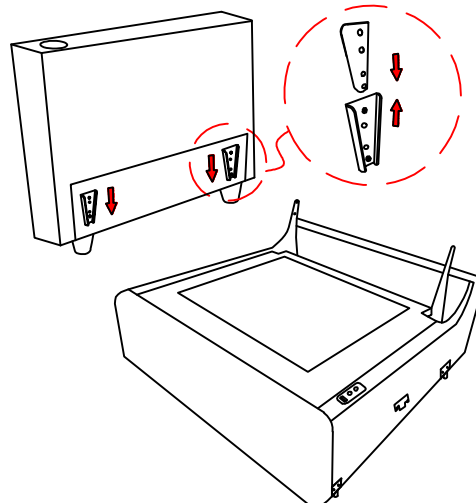
Base 1PC	Backrest 1PC	Armrest 1PC	Cushion 1PC	Cushion 1PC	Leg 4PCS	M6 Screw 8PCS	Splitter 1PC	Power Cord 1PC

Step 1: Take out all the contents of carton A to install the left seat. Take out the accessory pack from the base and use 2 M6 for each leg to install it to the sofa.



1

Step 2: Insert the Armrests into the Sofa.



2



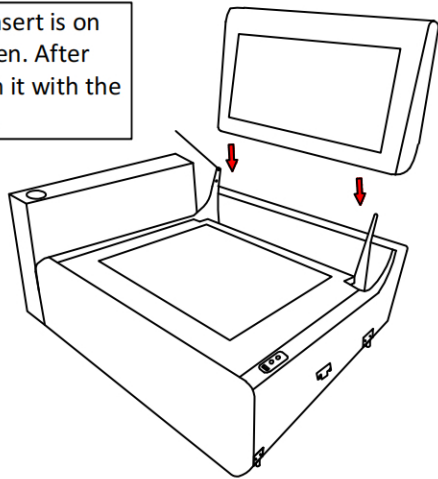
① 4 PCS



② 8 PCS

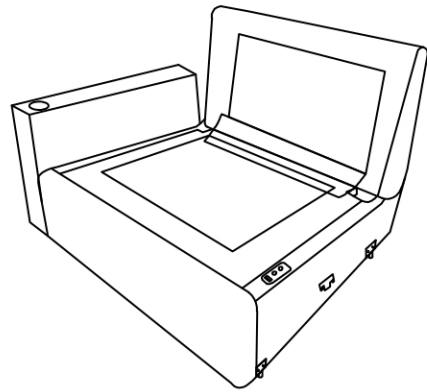
Step 3: Insert the backrest into the sofa.

Note that the backrest insert is on the inside and can be seen. After touching the insert, align it with the sofa's latch and insert it.



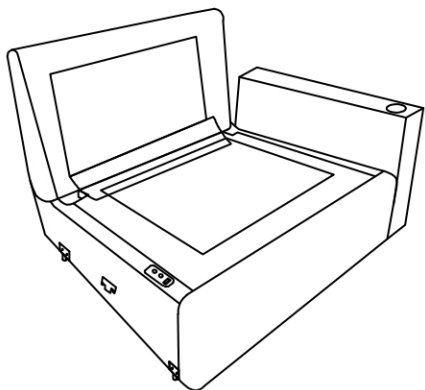
3

Step 4: Find the leather flap on the backrest bottom and peel off the brown fabric strip from the Velcro. Press firmly onto the sofa base's gray fabric (Prevent cushion slippage).



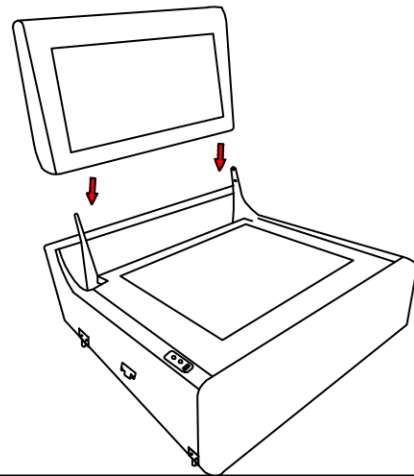
4

Step 5: Take out all contents from carton C and repeat steps 1-4 to install the right seat.



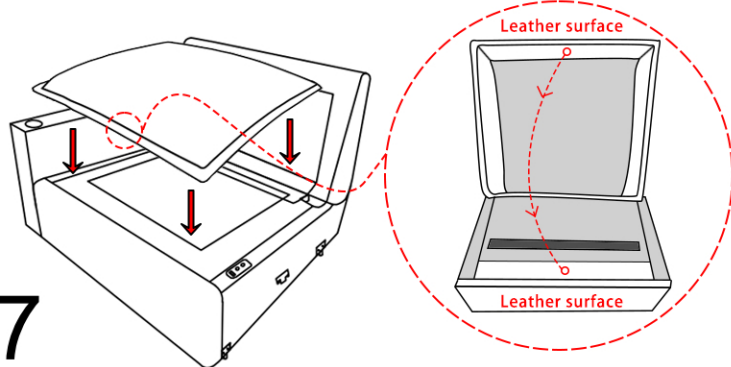
5

Step 6: Take out all contents from carton B and repeat steps 1, 3 and 4 to install the middle seat.



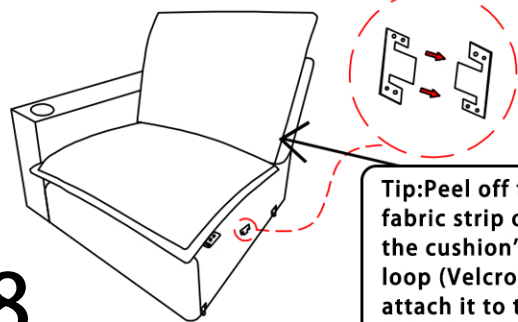
6

Step 7: Correct Positioning: Align the leather side of the cushion with the leather section of the sofa base.



7

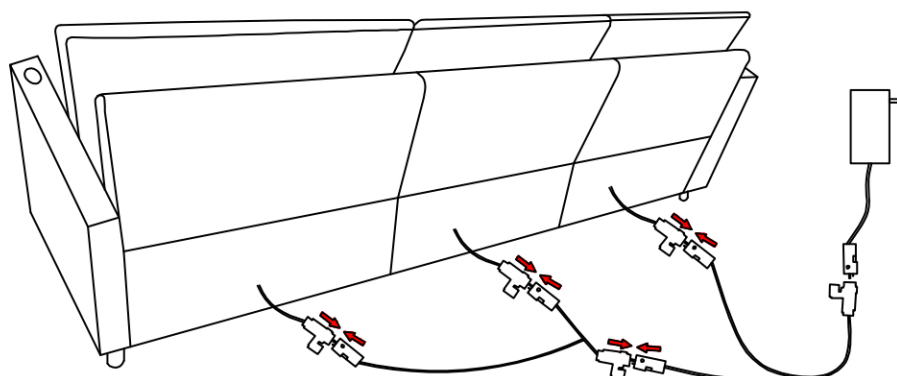
Step 8: ① Place all cushions in their corresponding positions, with the medium ones on the backrests, and the largest ones on the seat. ② Put the seats together using the connectors.



8

Tip: Peel off the brown fabric strip on the back of the cushion's hook-and-loop (Velcro) surface, then attach it to the back of the sofa.

Step 9: Take the power cord and splitter from the accessories bag in carton B and C. Connect all power cords according to the diagram. 3-seater sofa requires one power cord and two splitters.



9