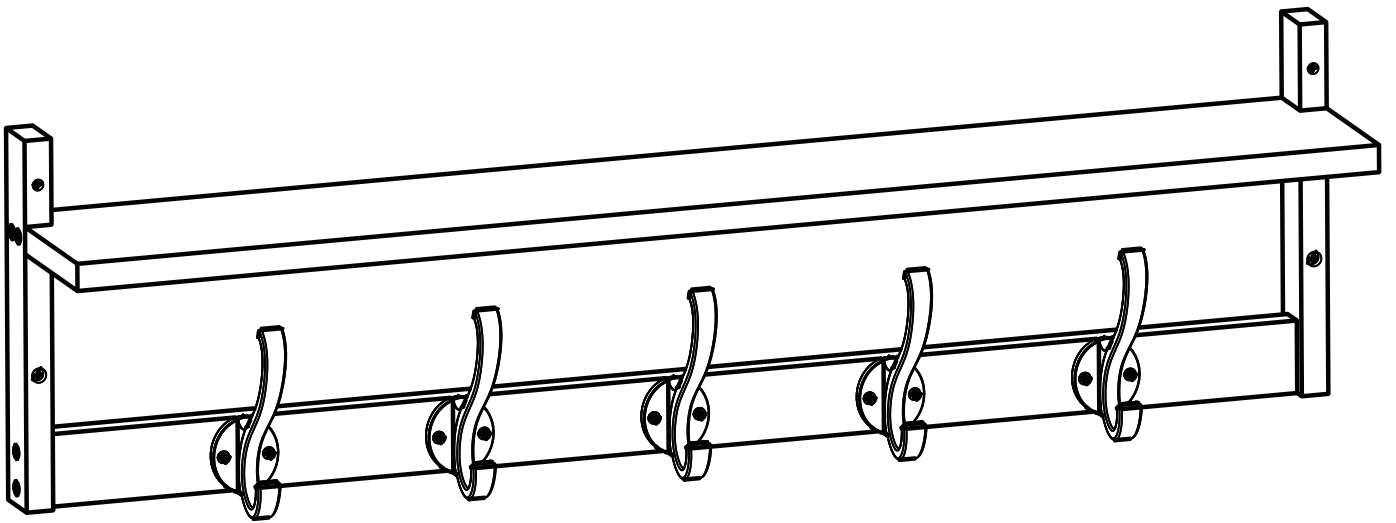
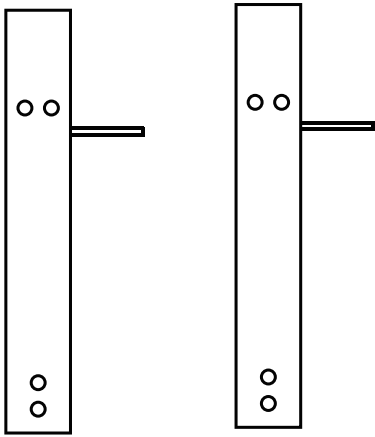


# Coat Rack Wall Mount



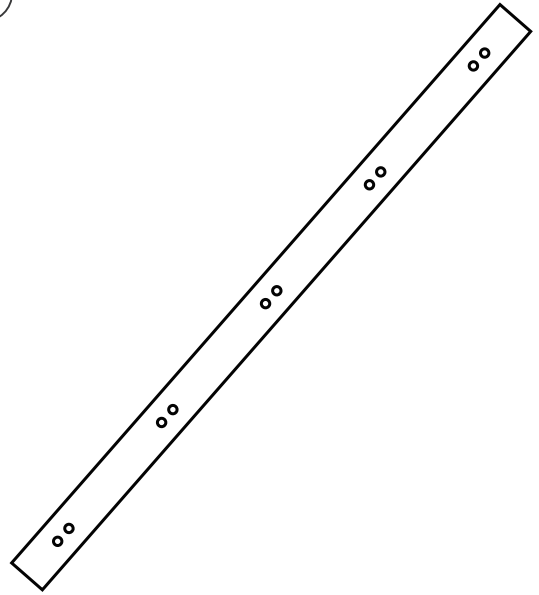
# Part List

①



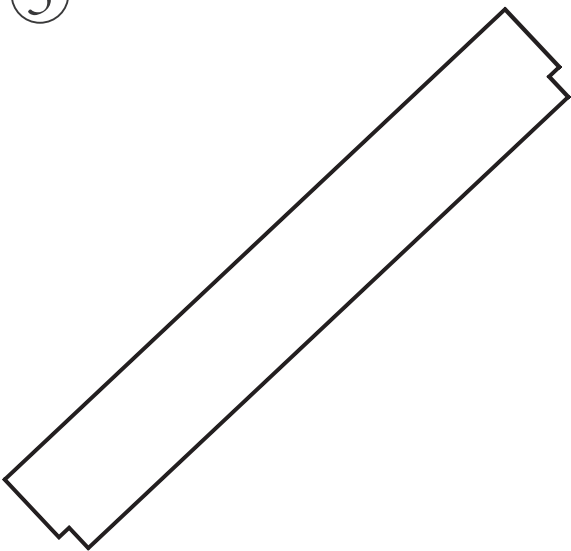
2 PCS

②



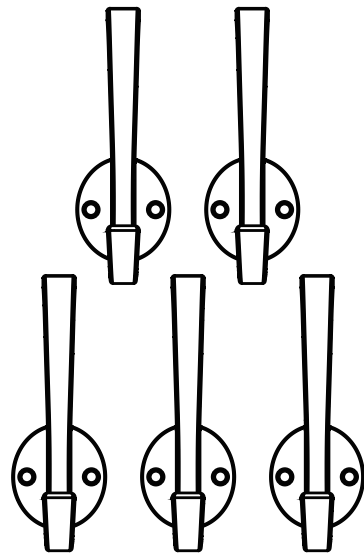
1 PCS

③



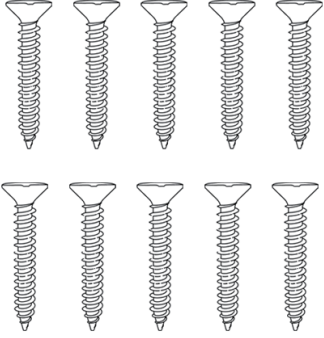
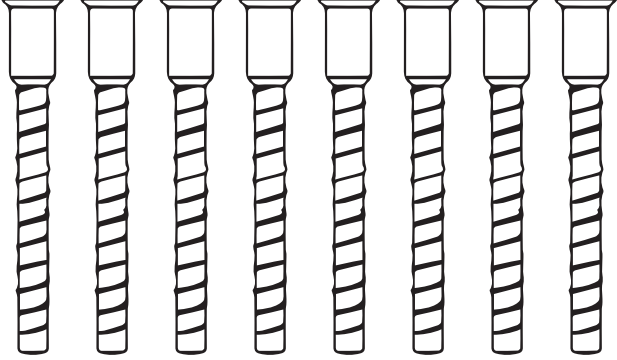

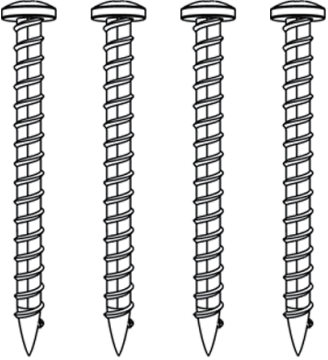
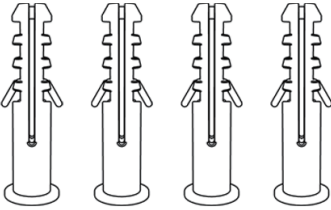
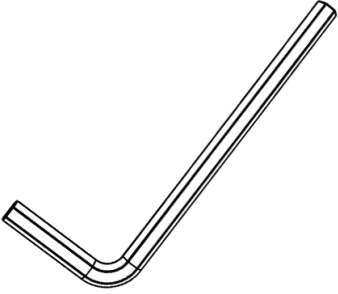
1 PCS

④



5 PCS

# Hardware List

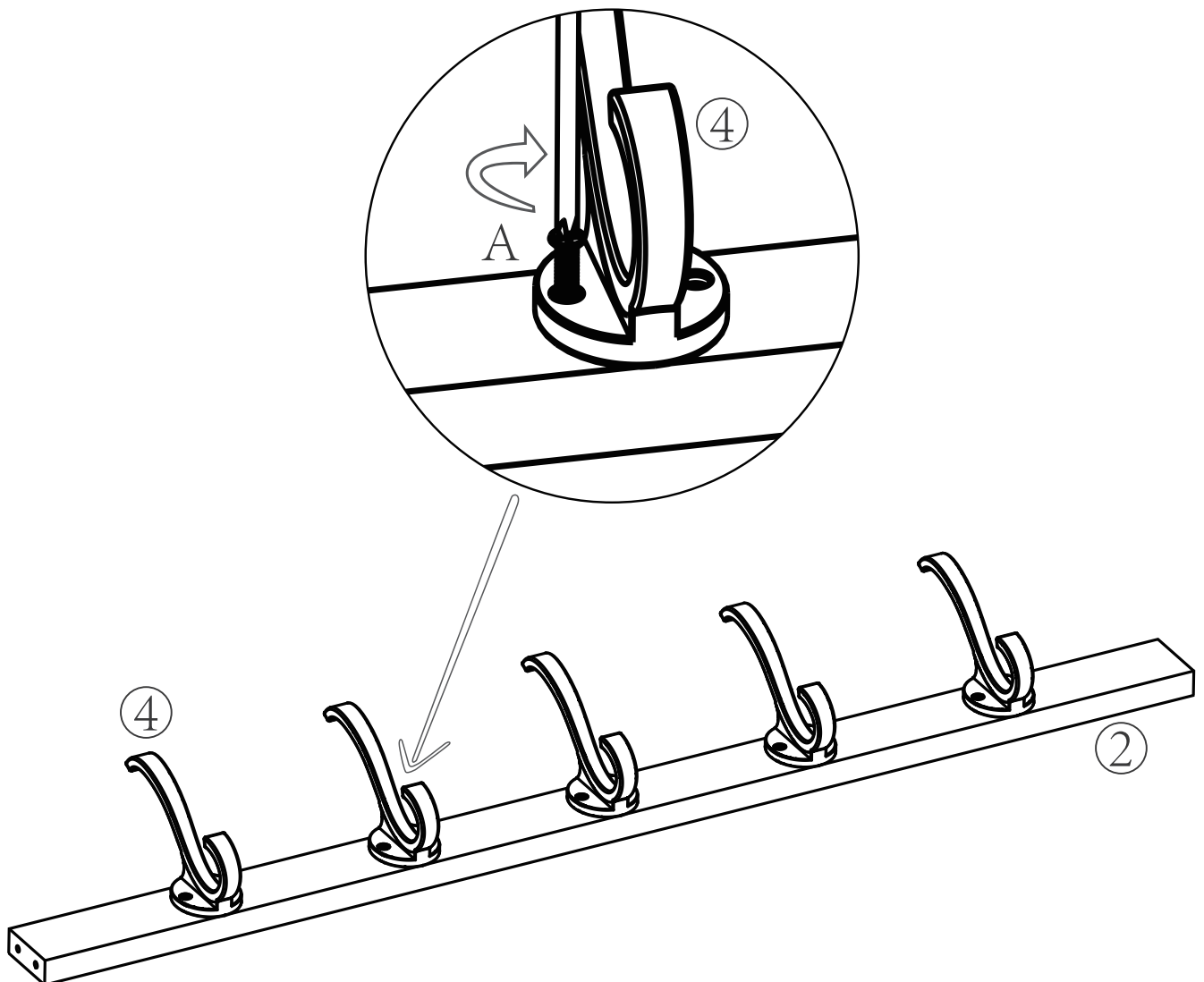
<p>A</p>  <p>10 PCS</p>	<p>C</p>  <p>8 PCS</p>
<p>B</p>  <p>2 PCS</p>	<p>D</p>  <p>4 PCS</p> <p>E</p>  <p>4 PCS</p> <p>F</p>  <p>1 PCS</p>

Tools Required: Allen Key(Supplied), Screwdriver, Hammer, Handheld drill.

# Installation Procedure

## Step 1

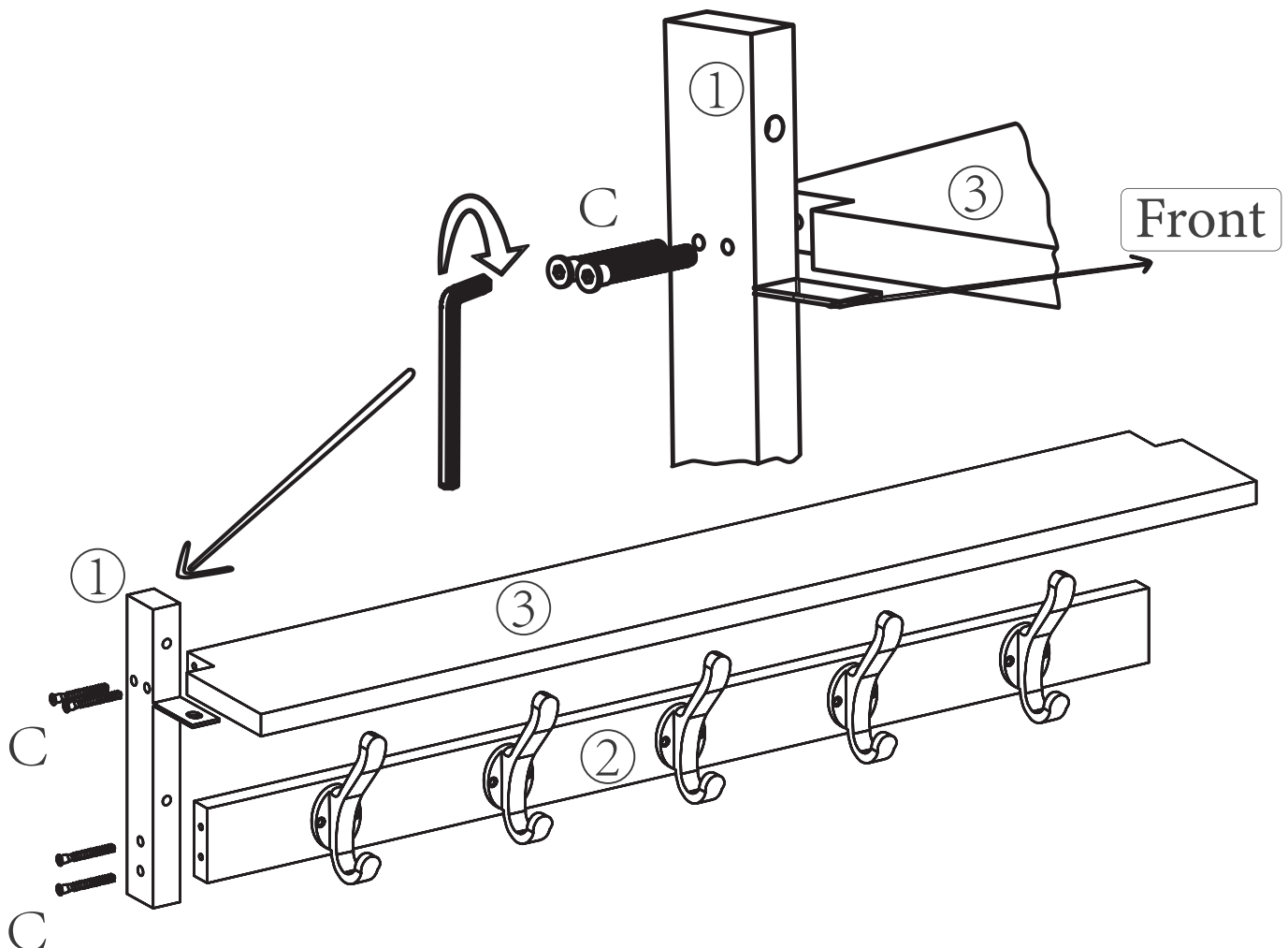
Install the hooks with a screwdriver.



# Installation Procedure

## Step 2

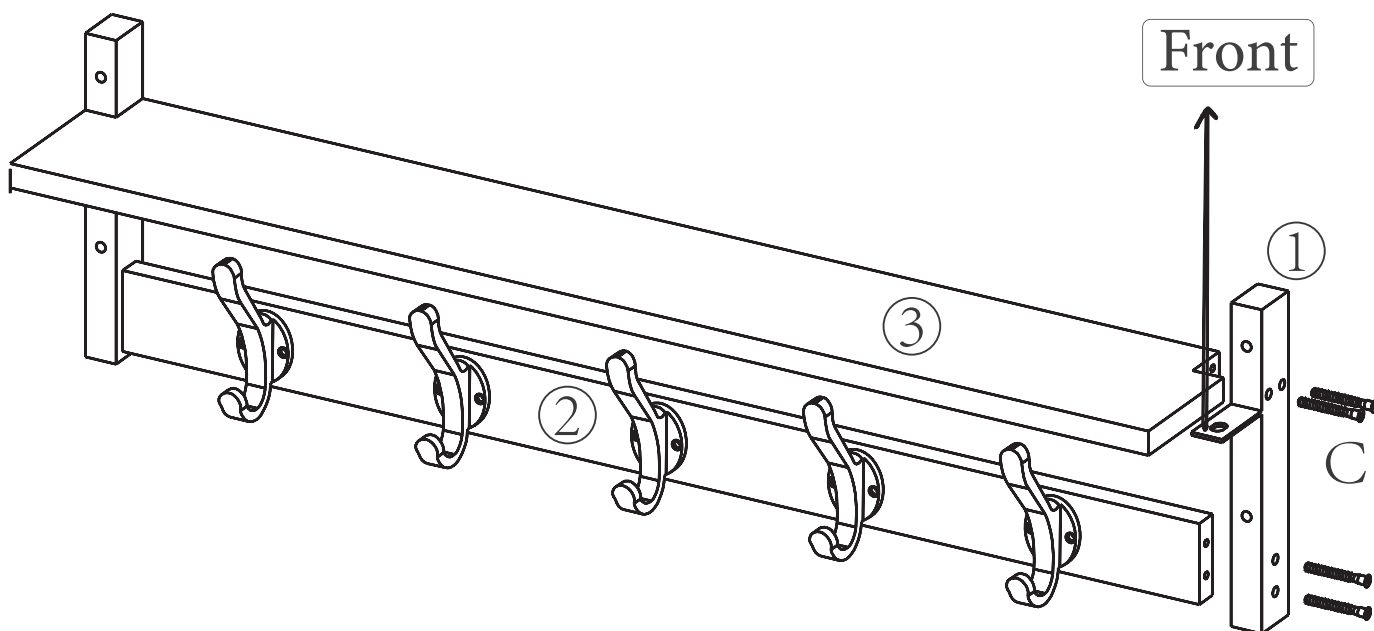
Fix the side bar on one side with Allen Key.



# Installation Procedure

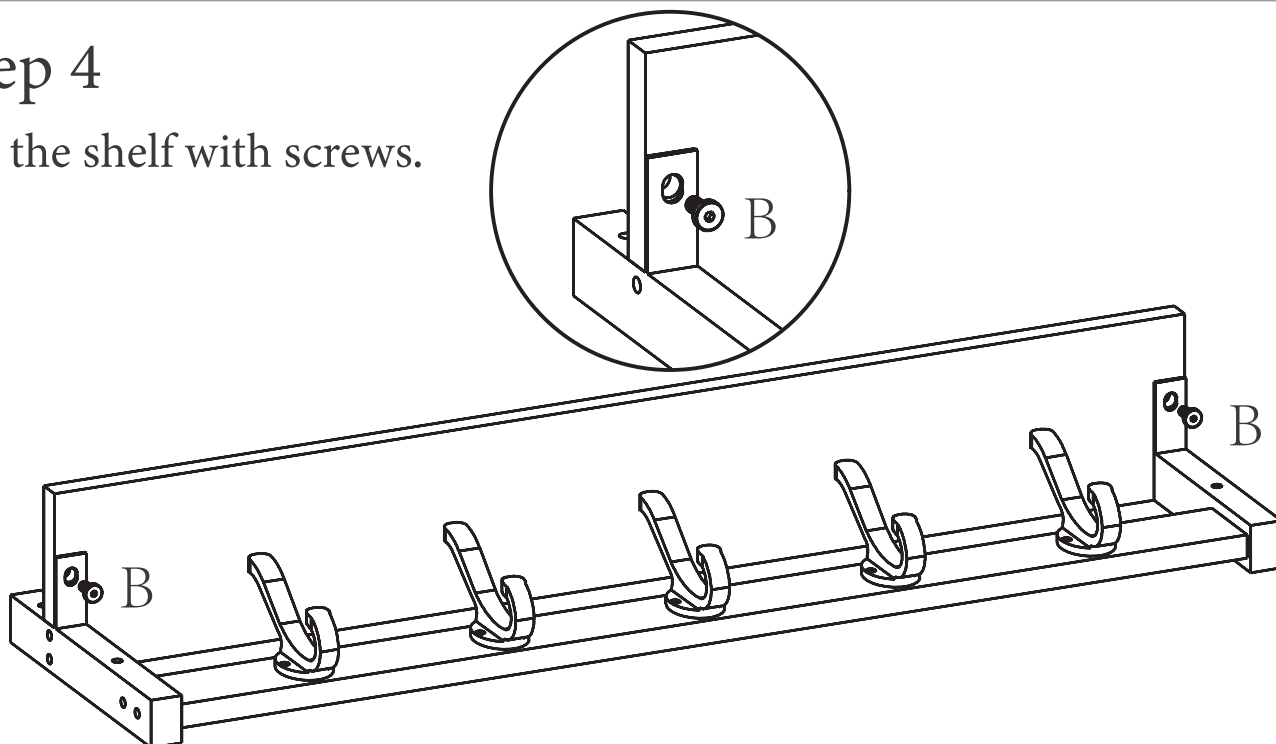
## Step 3

Fix another side bar on the other side.



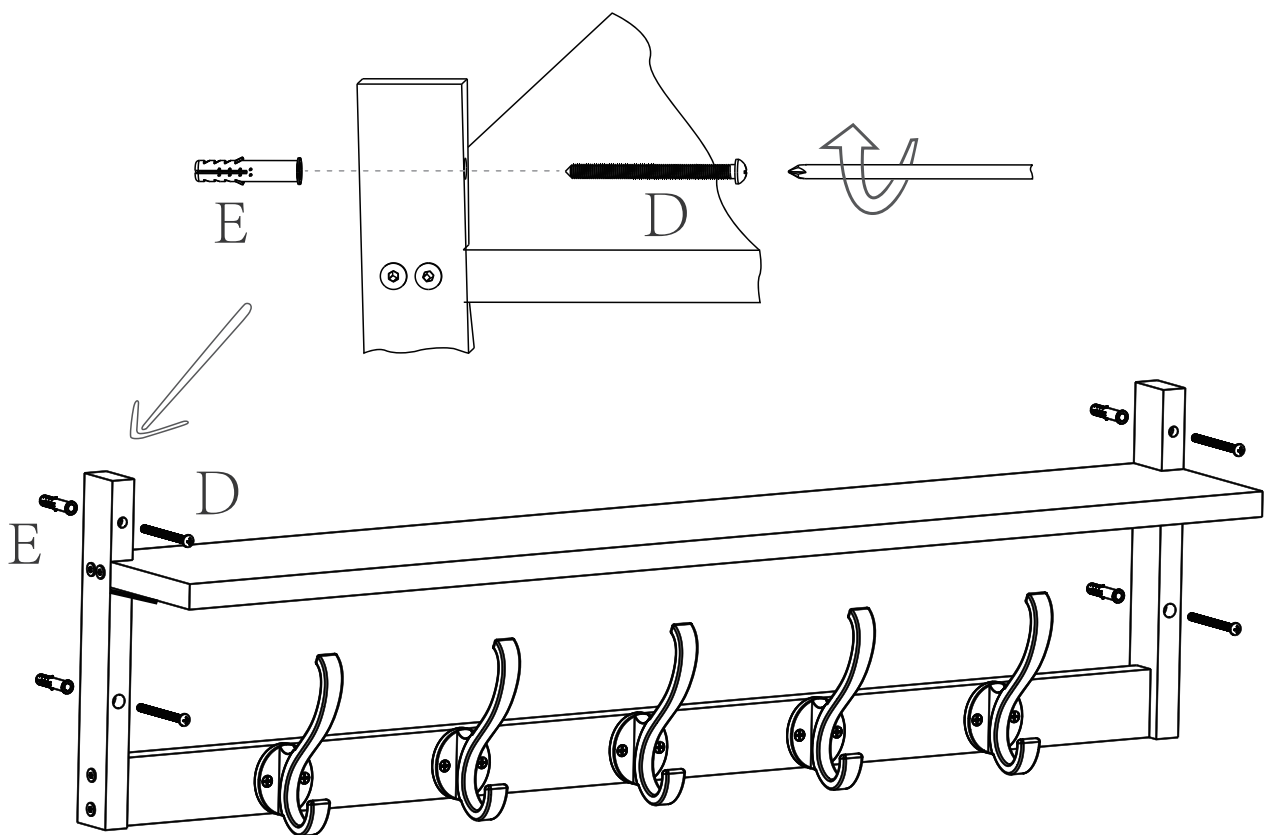
## Step 4

Fix the shelf with screws.



# Installation Procedure

## Step 5



Measure the distance between the holes.

Mark four holes in the wall and keep them horizontal.

Drill small guide holes with your handheld drill at the mark place.

Insert the Anchors into the wall with your hammer.

Attach the coat hooks to the wall using Screws as shown.

---

**A drill with a diameter of 6mm(15/64 in).**

**The hole depth is 35mm (1 3/8in).**

# Notice

1. Please read the following instructions carefully and use the product as directed.
2. Avoid allowing any sharp objects to touch or rub against the surface of the product.
3. Before beginning assembly, ensure all parts are present and correct.
4. Do not fully tighten any bolts or screws until the entire unit is assembled. Completely tighten all screws after all holes have been successfully filled with screws.
5. Avoid using power tools, as they can over-tighten screws and strip threads.
6. This manual may not cover every detail and variation of the assembly steps. Please contact us for further information or assistance if needed.