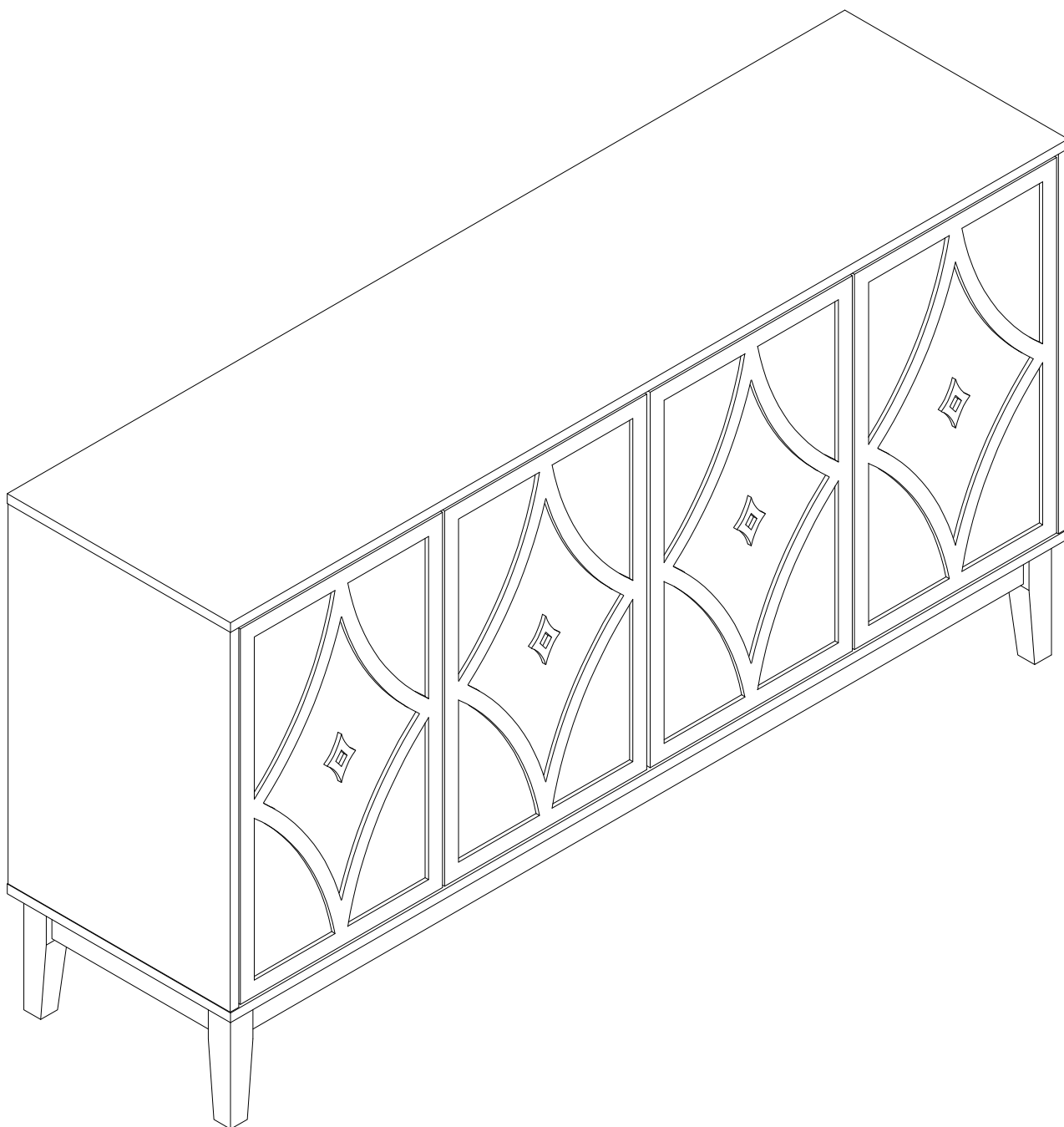


Installation Instruction



Product name

4 Door Cabinet

Ver.1.0 20250625

- Do not use power tools to assemble your furniture. Power tools may strip or damage the parts.



Friendly Reminder:

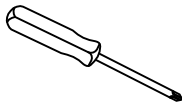
Assembling with damaged panels may affect after-sales service. Please check the integrity of all panels before assembly. If any damage is found:

- ✓ Take photos of the damaged area from multiple angles (preferably under natural light)
- ✓ Keep all packaging materials
- ✓ Do not assemble the product and contact online customer service immediately

Assembling

What you need

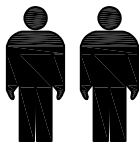
- Use the packaging carton as a working surface to prevent product damage during assembly
- Phillips head screwdriver



Weight Limitation



50 | 22
lbs table top | lbs per sheif



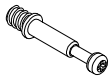
2 PERSONS

What ' s included

Code	Description	Qty
A	Cam Bolt Ø6X35mm	30
B	Cam Lock Ø15X10mm	30
C	Wooden Dowel Ø6X30mm	26
D	Screw M4X35mm	12
E	Metal Plate	4
F	Bolt M6X25mm	8
G	Allen Key	1
H	Screw M3X16mm	16
I	Plastic Corner Support	16
J	Screw M4X14mm	48
K	Nylon Strap	2
L	Screw M4X14mm	18
M	Anchor	2
N	Gasket	4
O	MetaL Support	8
P	Hinge	4
Q	Wool felt	4
R	Hinge	4
S	Pad	4

The hardwares

(A)



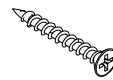
(B)



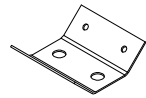
(C)



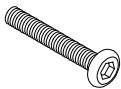
(D)



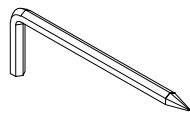
(E)



(F)



(G)



(H)



(I)



(J)



(K)



(L)



(M)



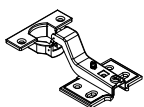
(N)



(O)



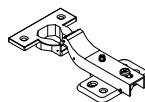
(P)



(Q)



(R)

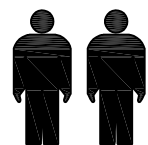


(S)



IMPORTANT:

1. Do not tighten bolts / screws completely until all bolts / screws are lined up and inserted into holes.
2. Do not over tighten screws and bolts to avoid stripping.
3. Please use hand tools to assemble this product. Do not use power tools.
4. Must need 2 people to assemble this product.

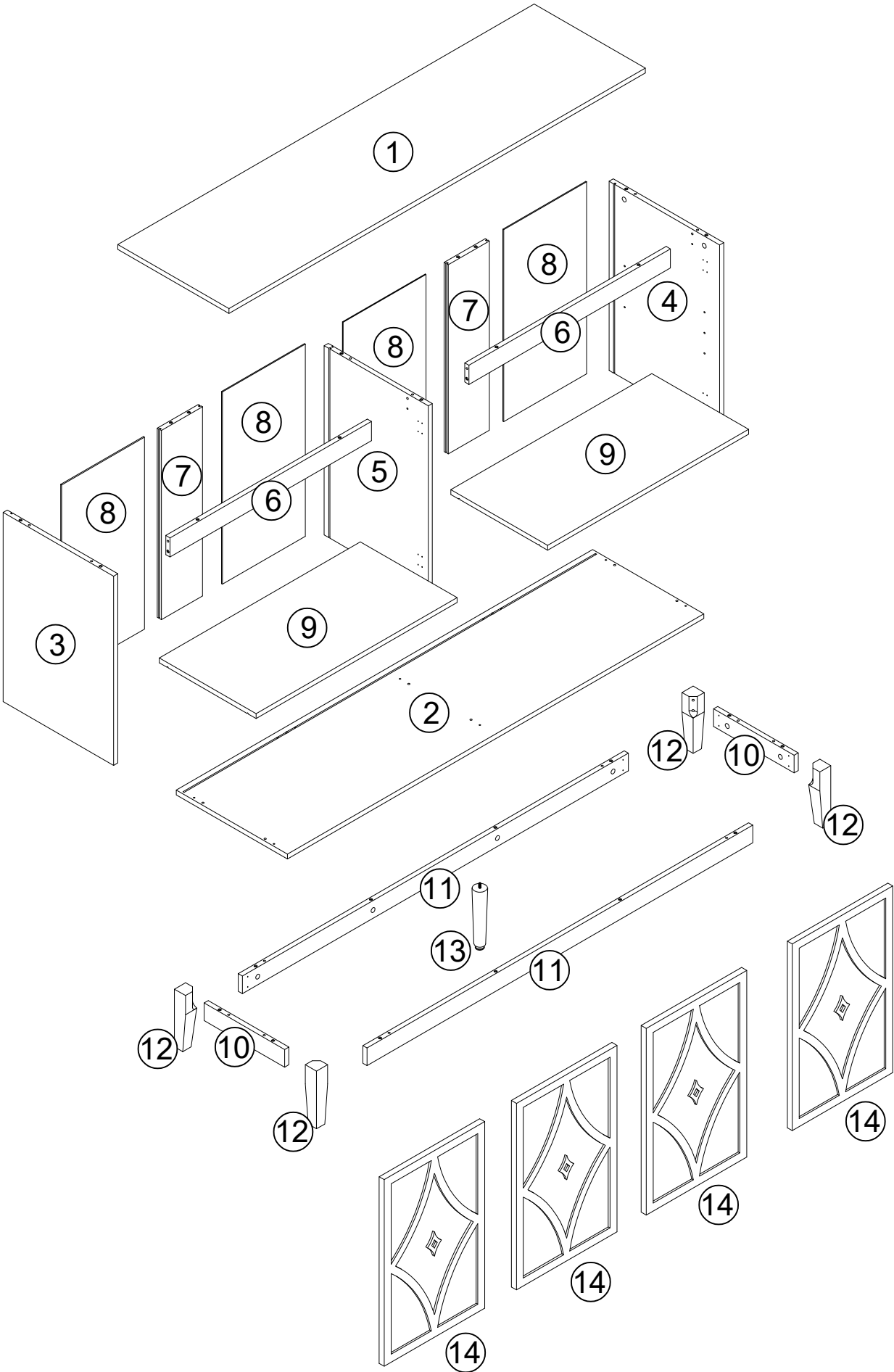


2 PERSONS

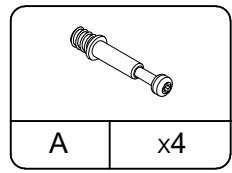
Included Accessories

Code	Description	Qty
1	Cabinet Top	1
2	Bottom Panel	1
3	Left Side Panel	1
4	Right Side Panel	1
5	Middle Division Panel	1
6	Back Stretcher	2
7	Division Panel	2
8	Back Panel	4
9	Shelf	2
10	Metal Side Frame	2
11	Metal Stretcher	2
12	leg	4
13	Middle leg	1
14	Door	4

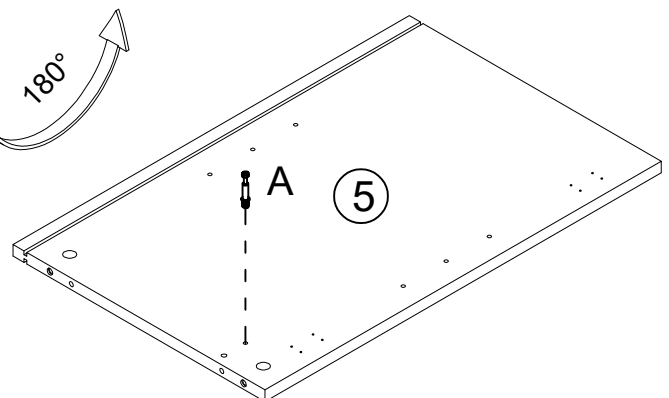
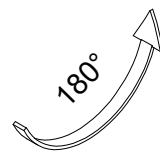
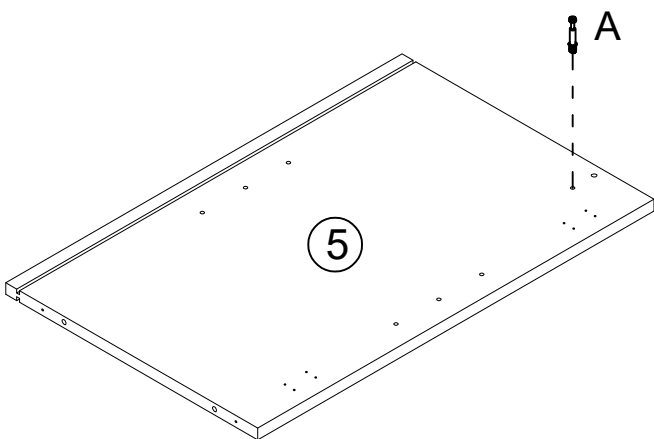
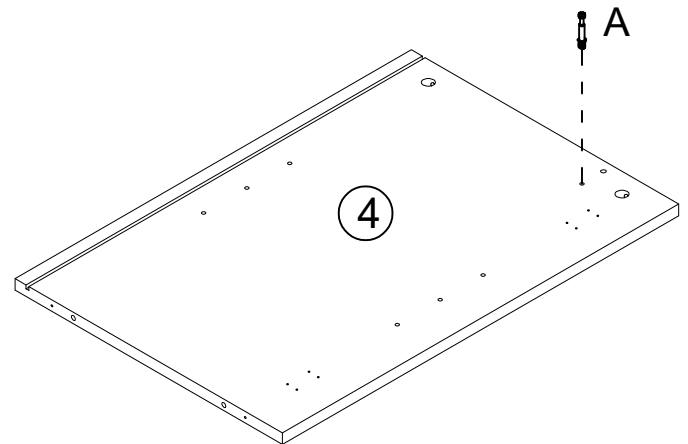
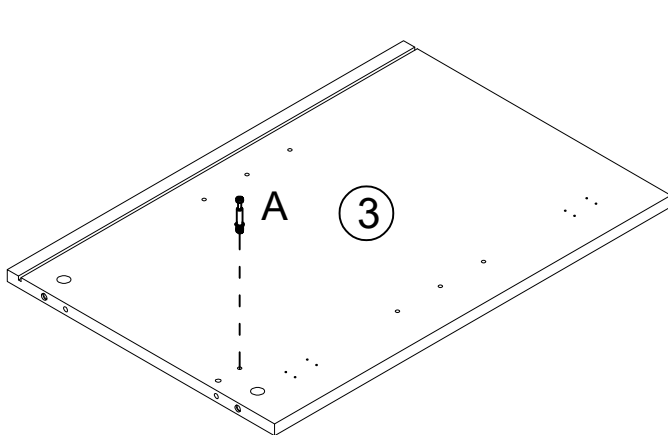
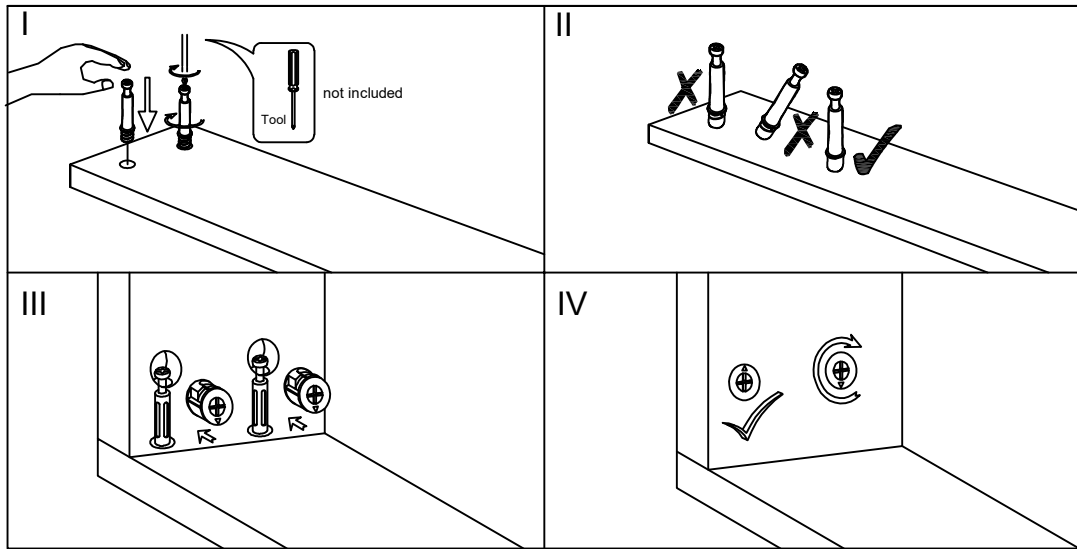
The Accessories



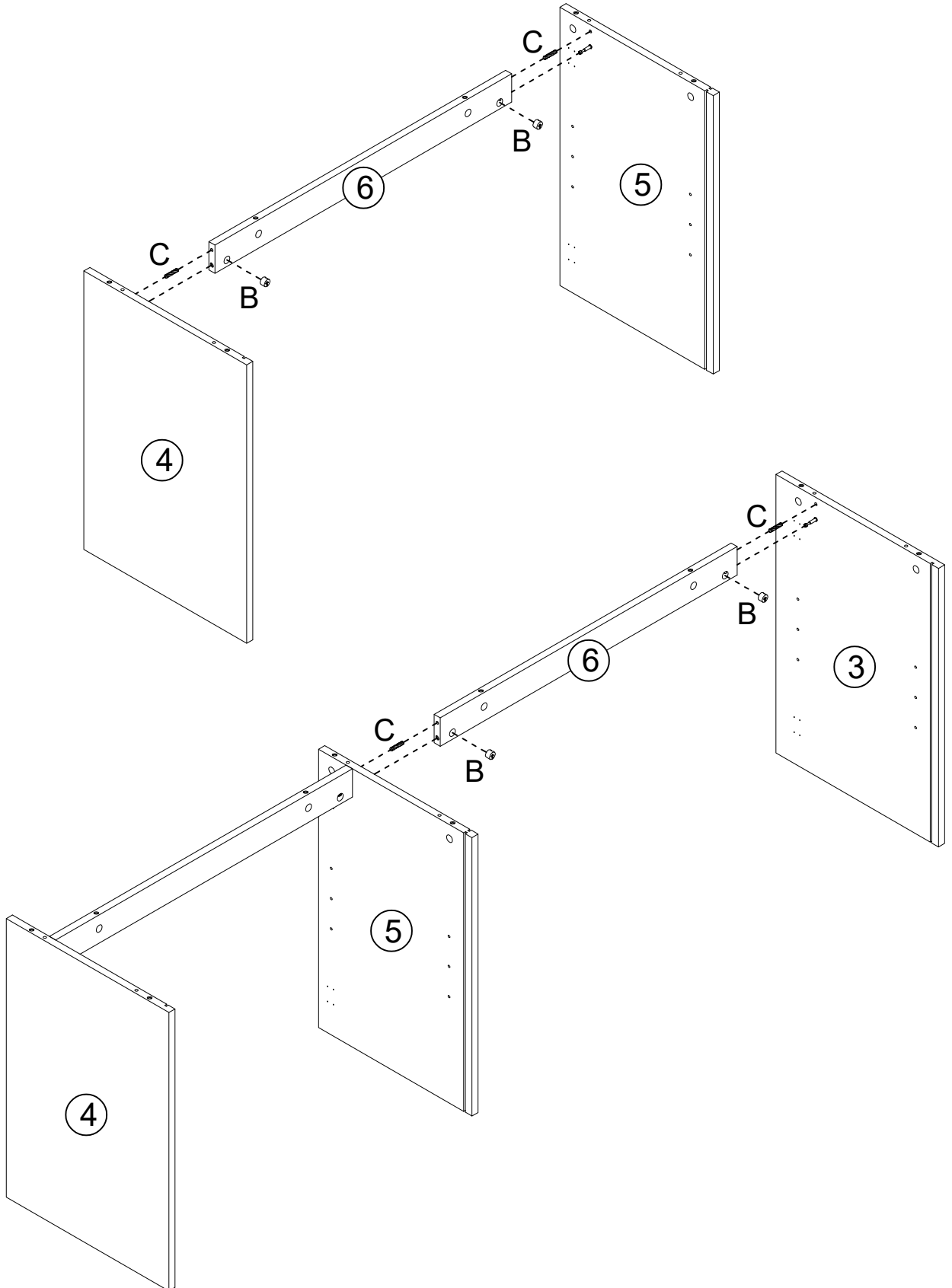
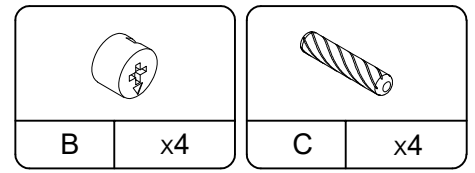
Step 1




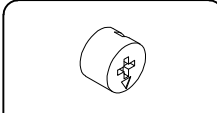
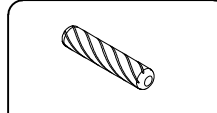
NOTED:

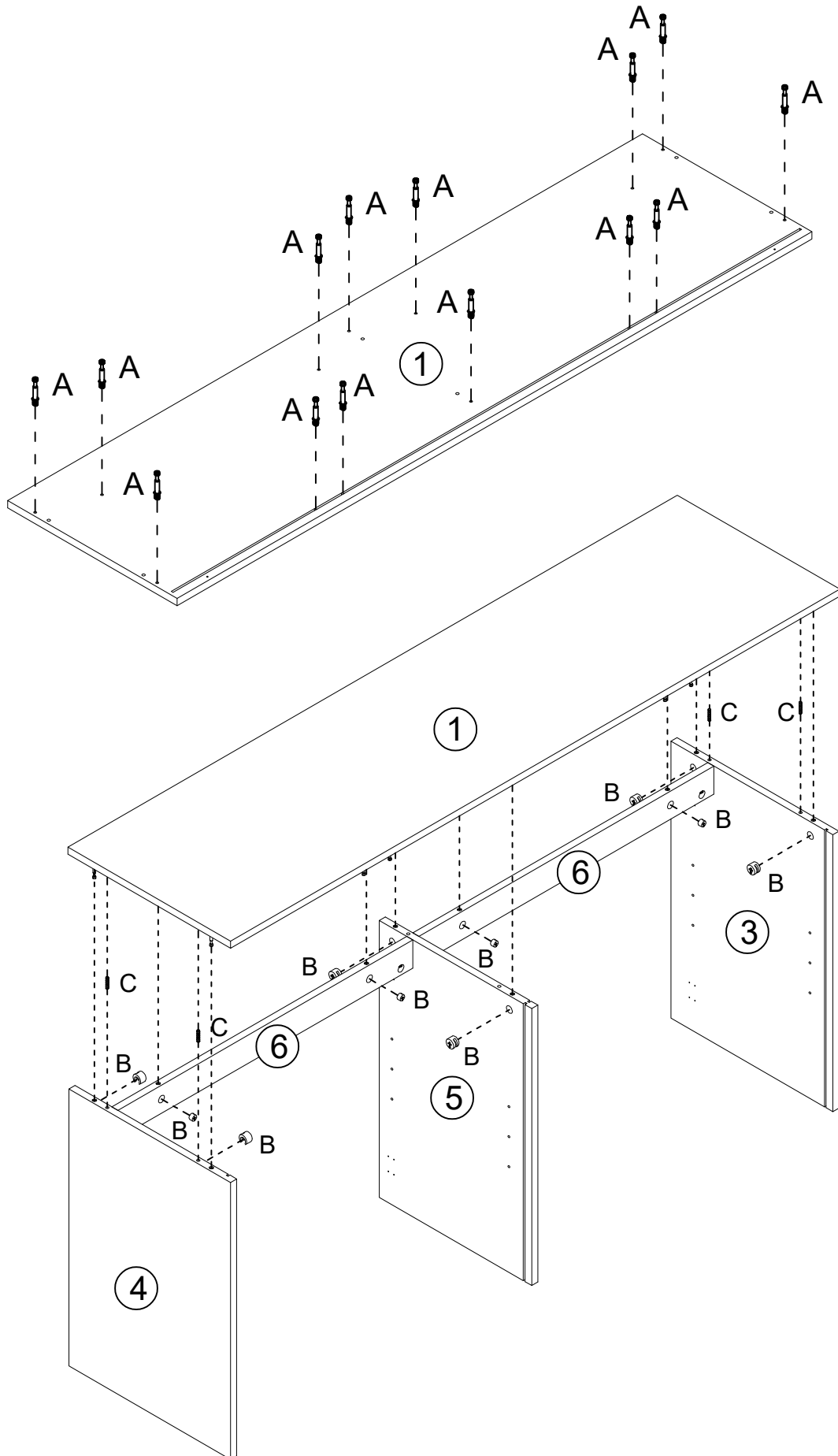


Step 2

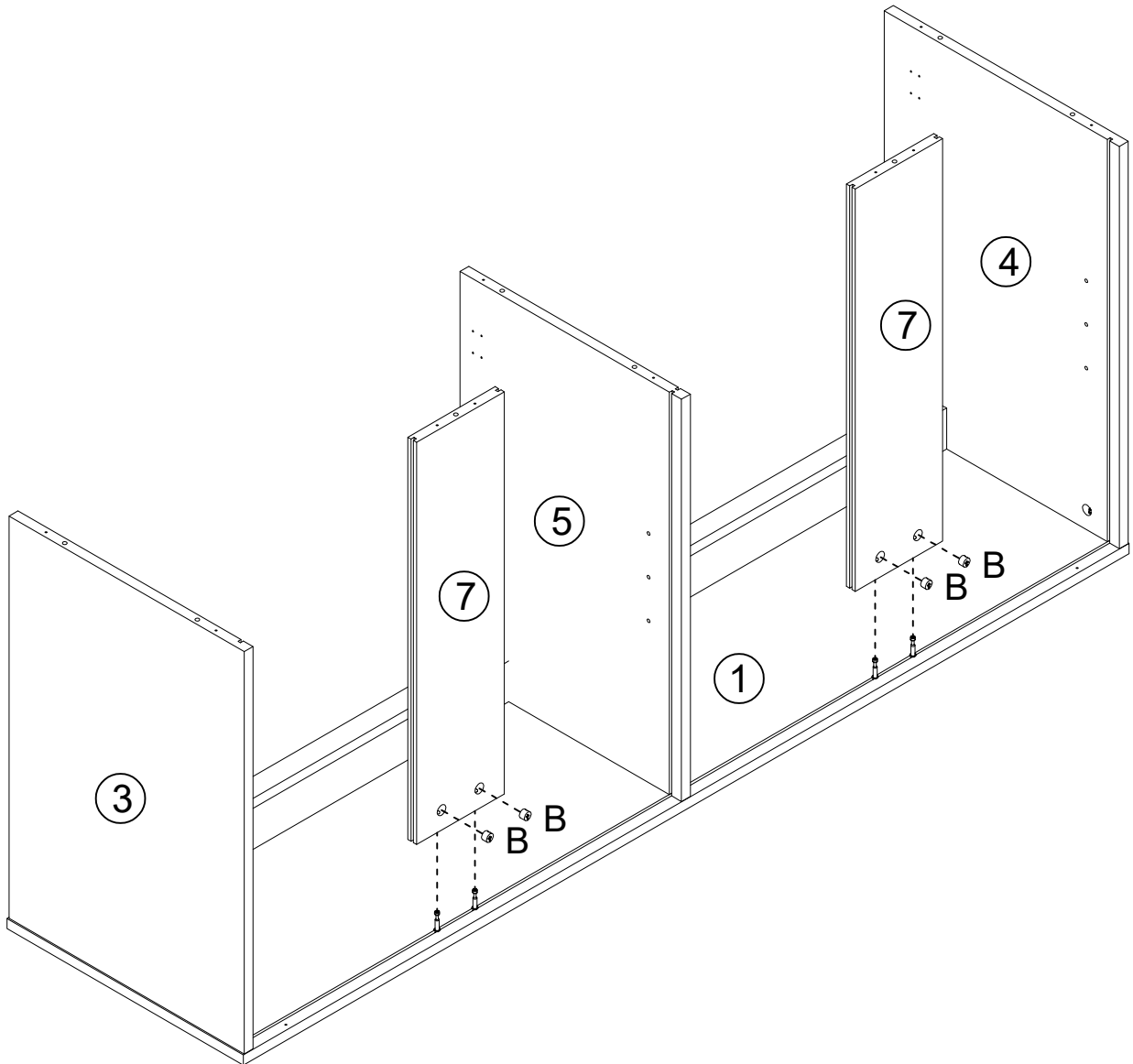
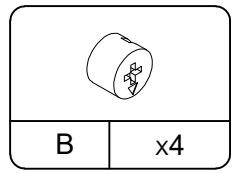


Step 3

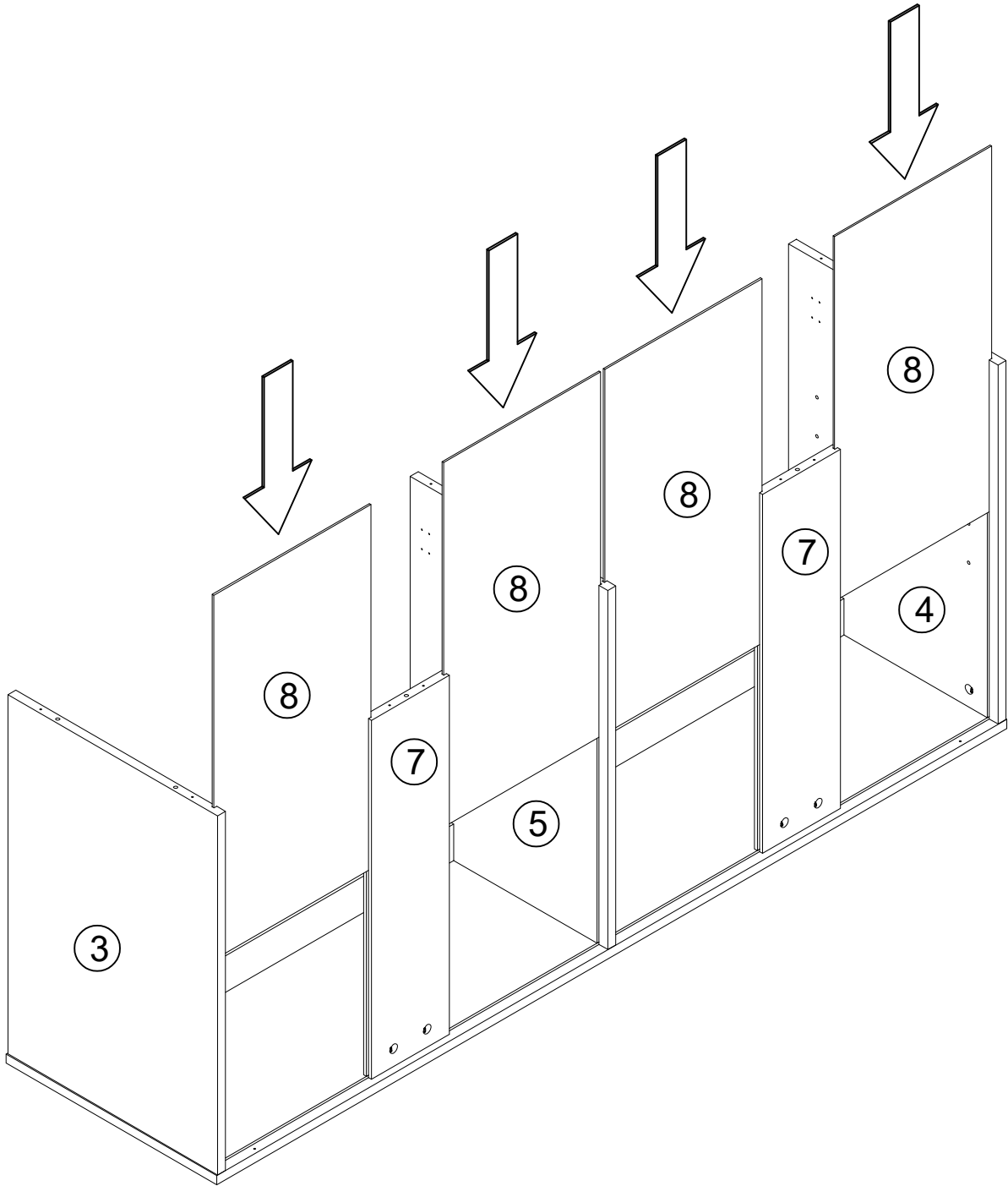
					
A	x14	B	x10	C	x6



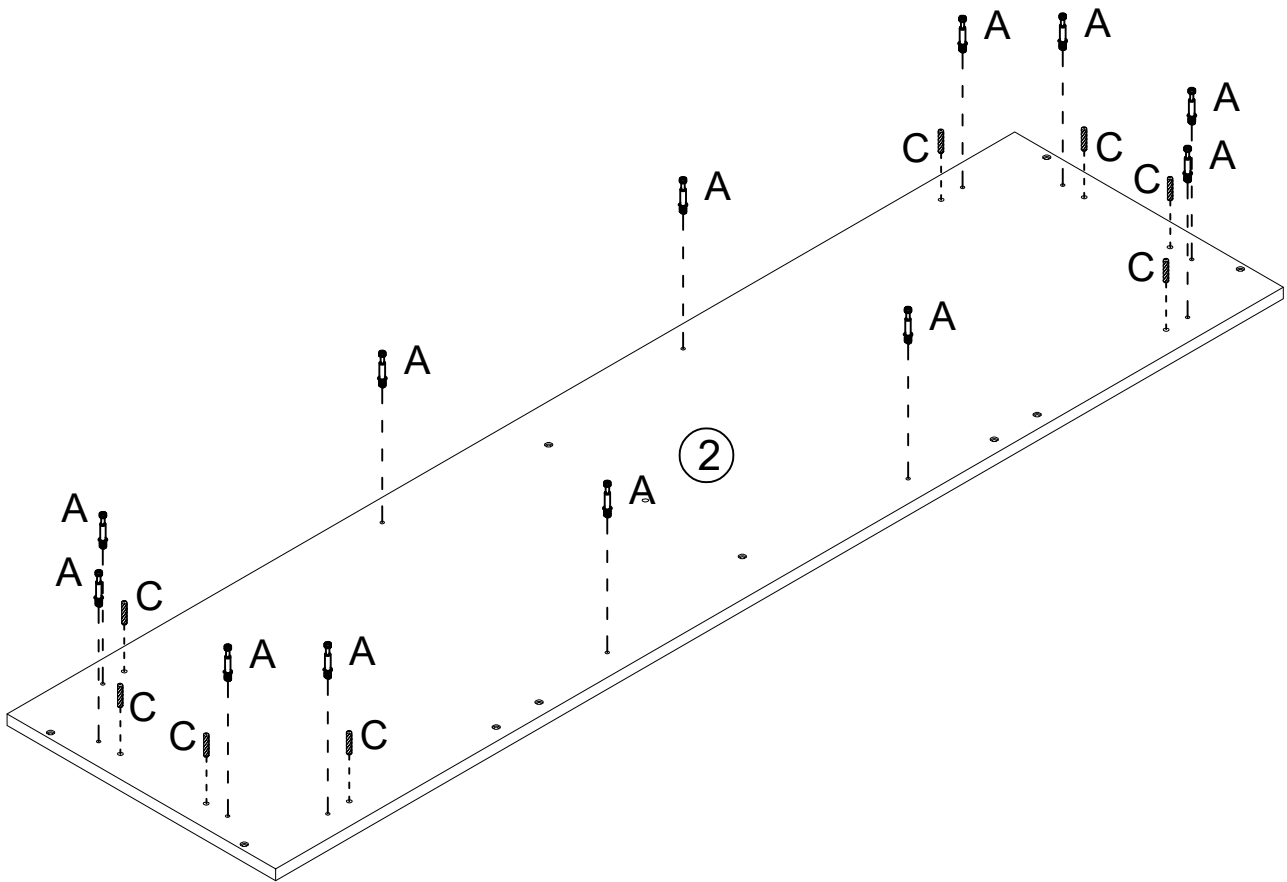
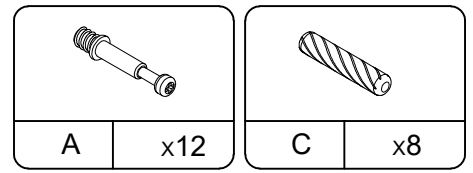
Step 4



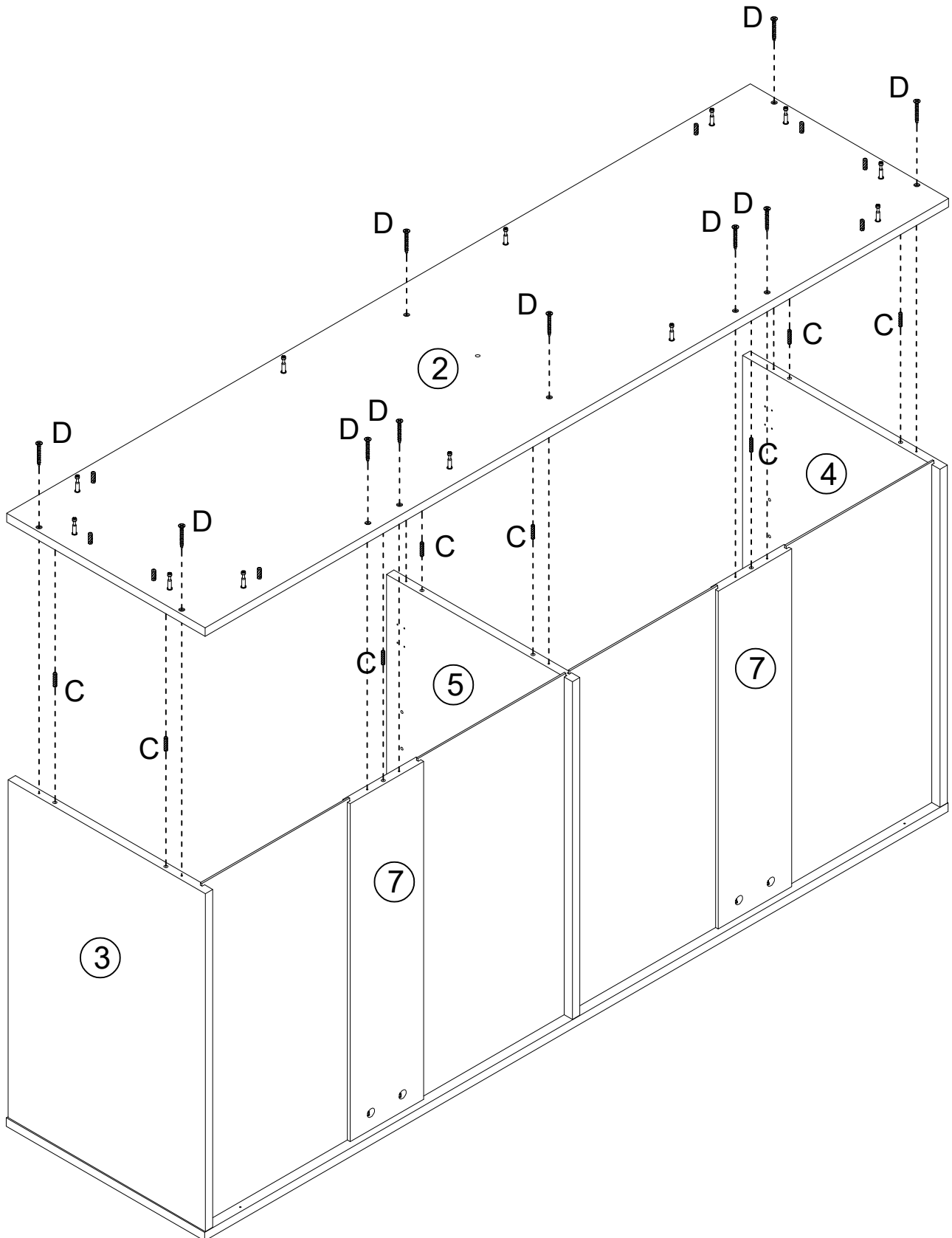
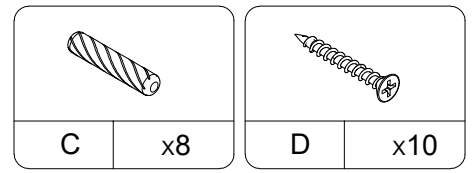
Step 5




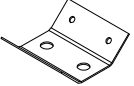
Step 6

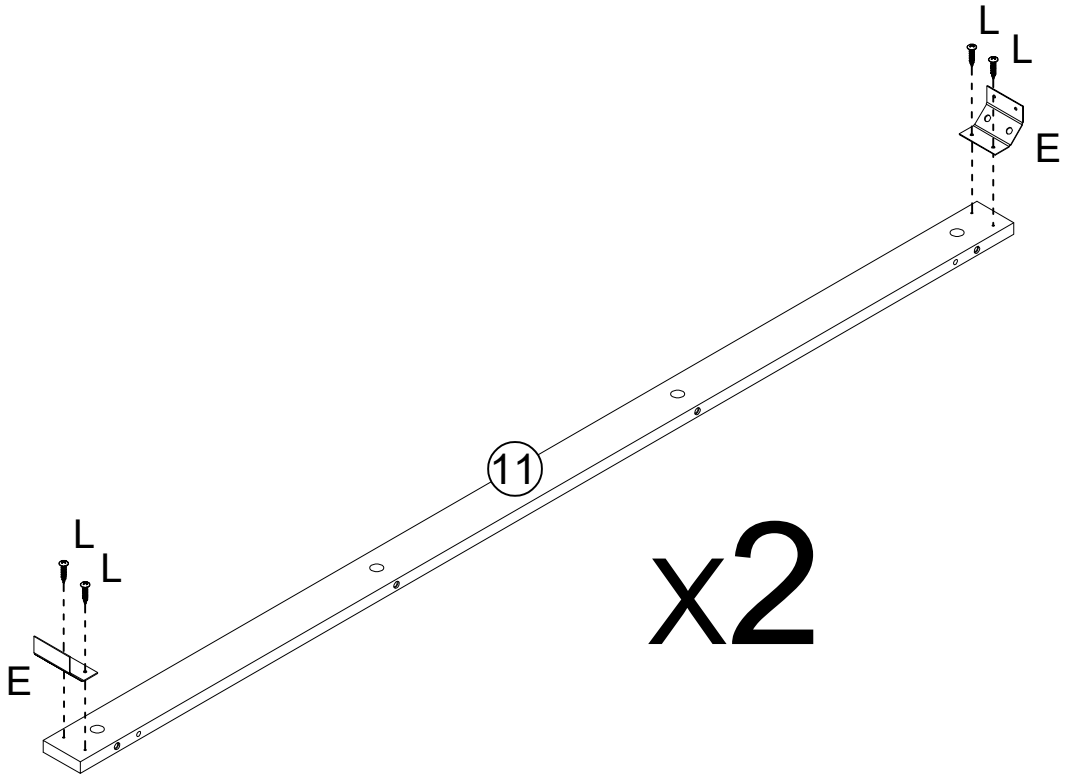


Step 7

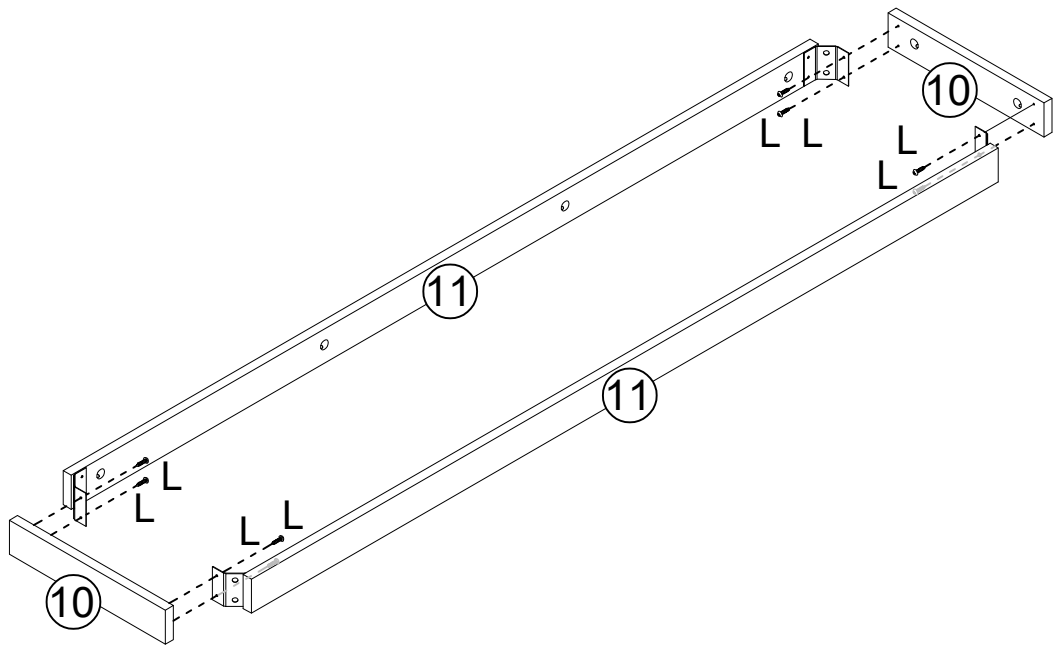


Step 8

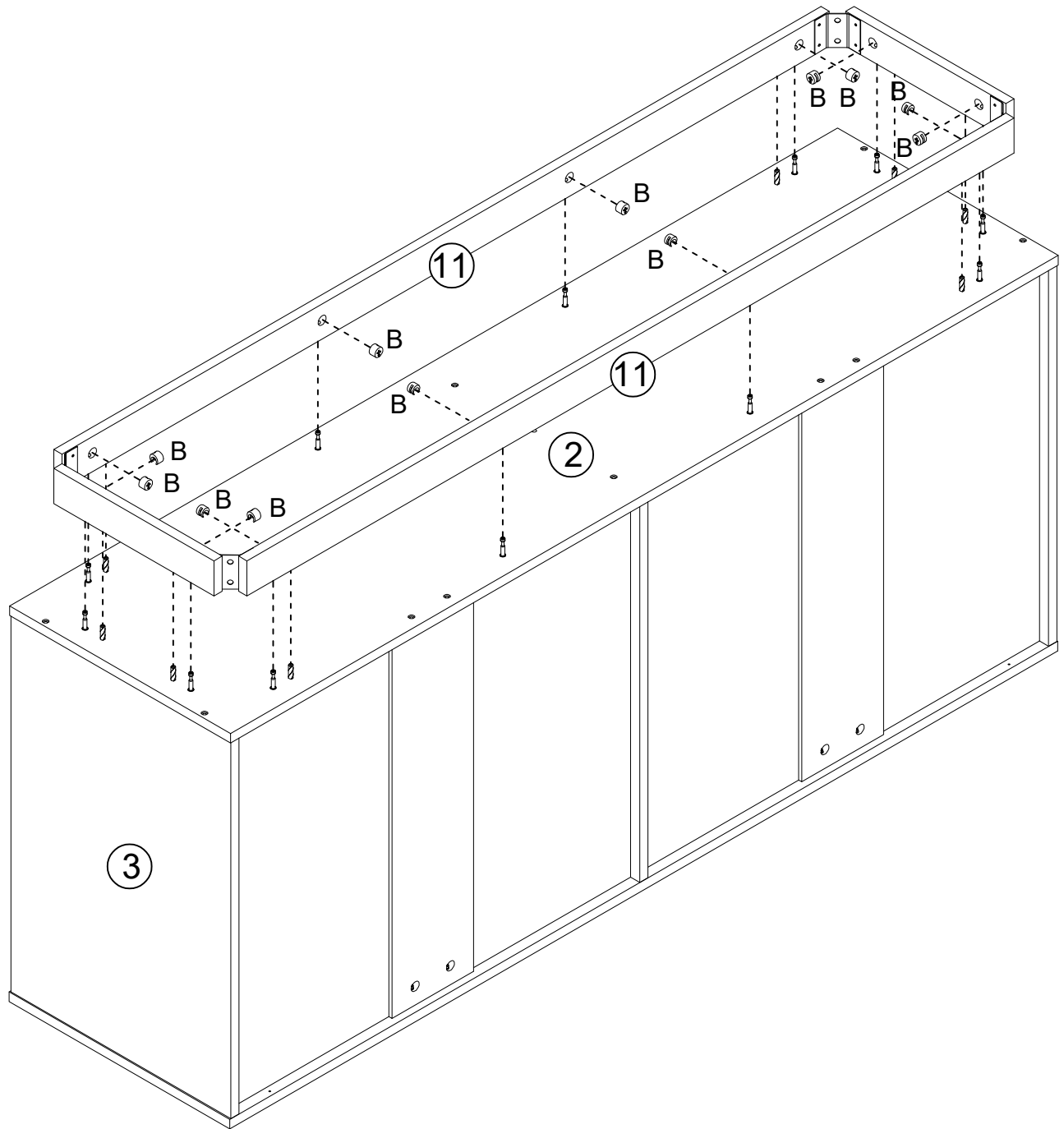
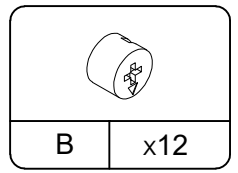
	
L	x16
E	x4



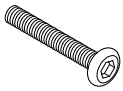
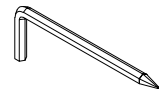

x2

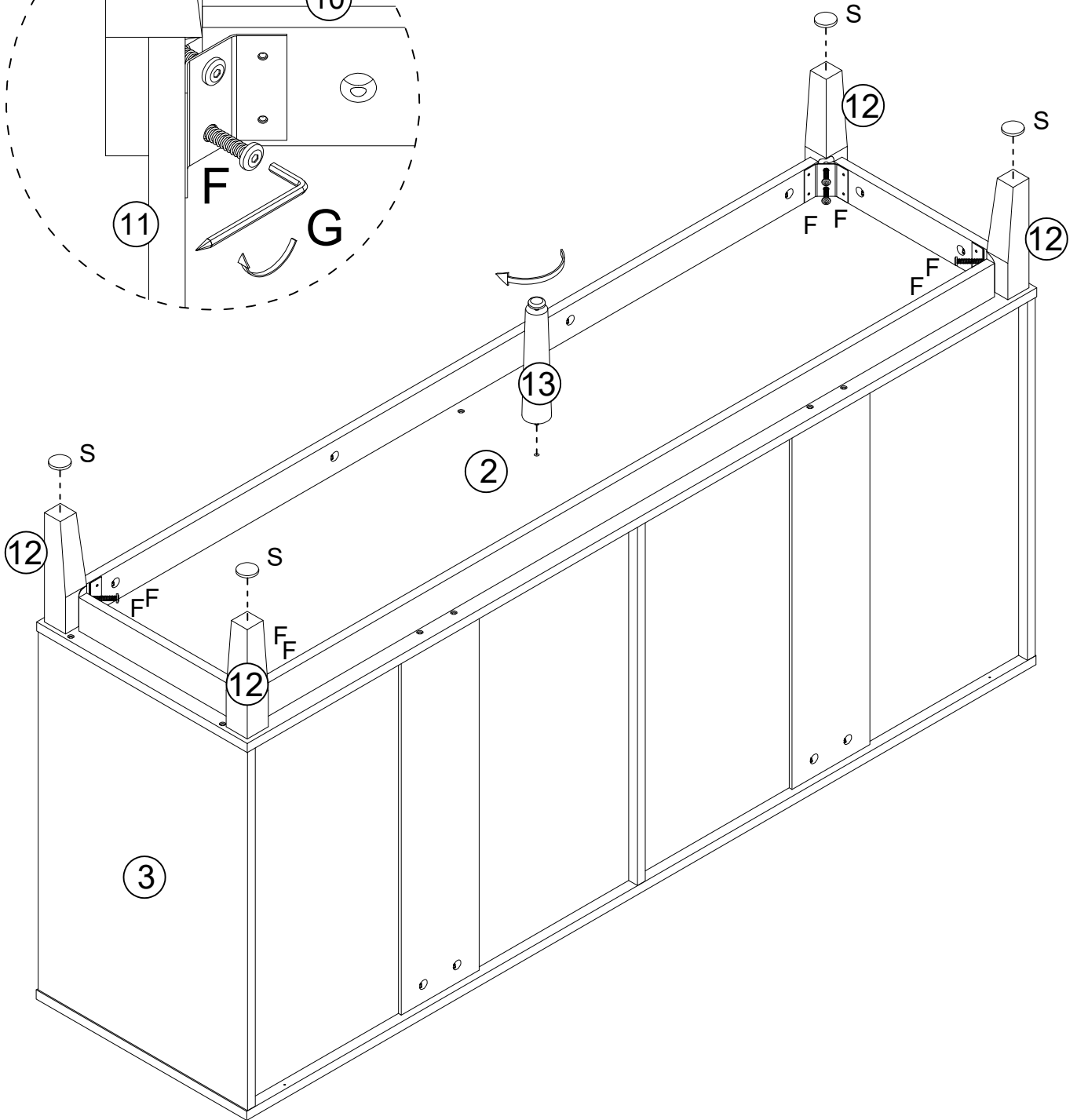
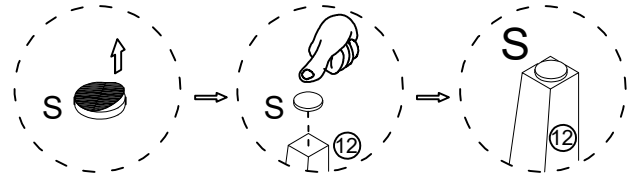
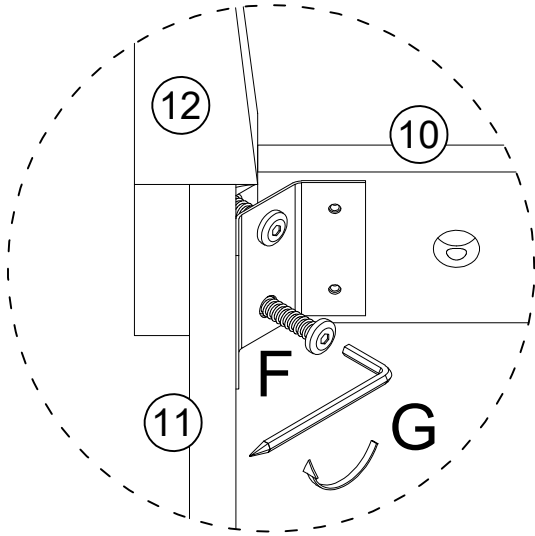


Step 9





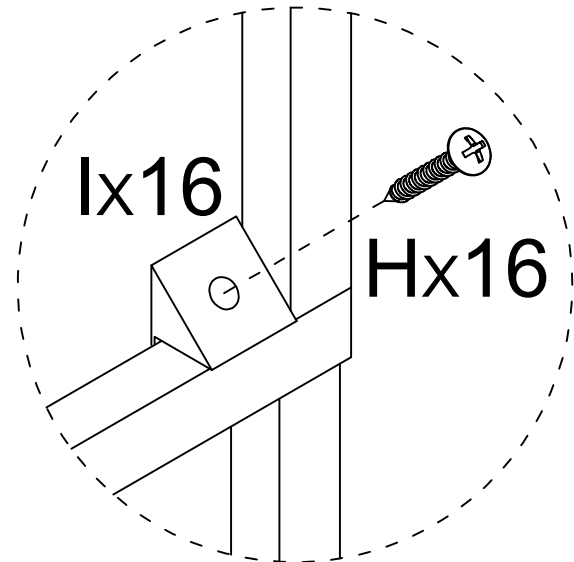
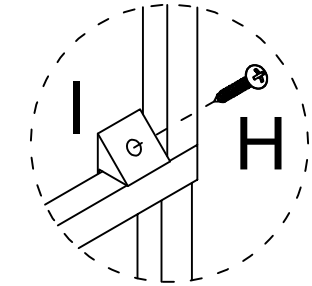
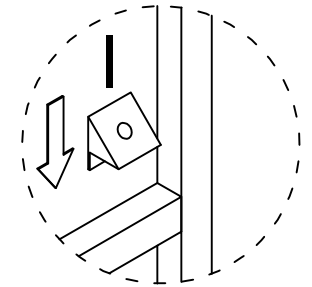
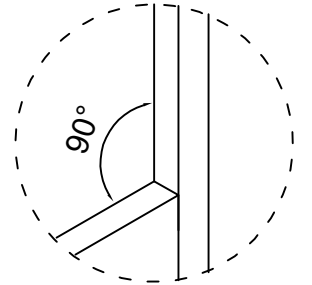
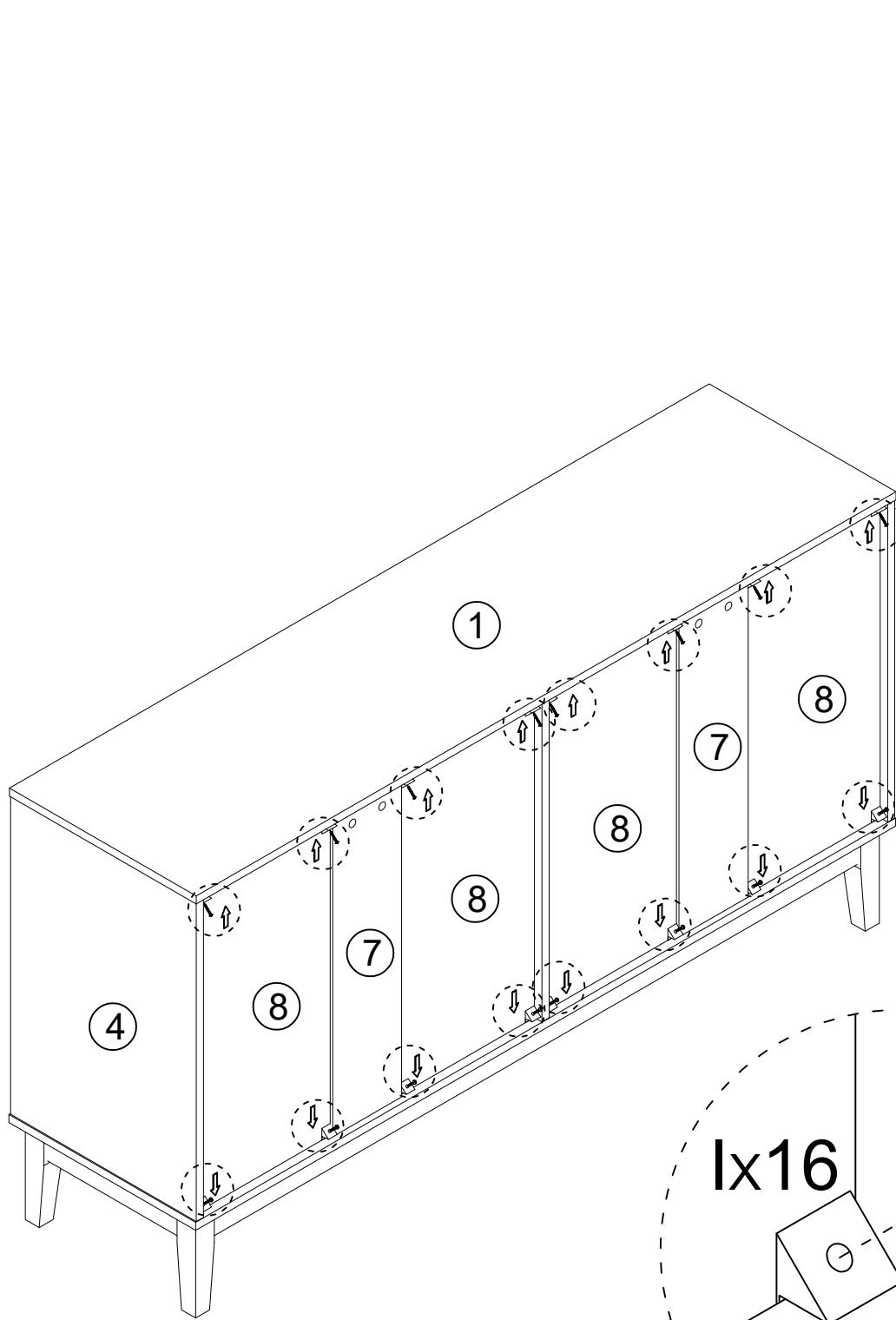
Step 10

					
F	x8	G	x1	S	x4






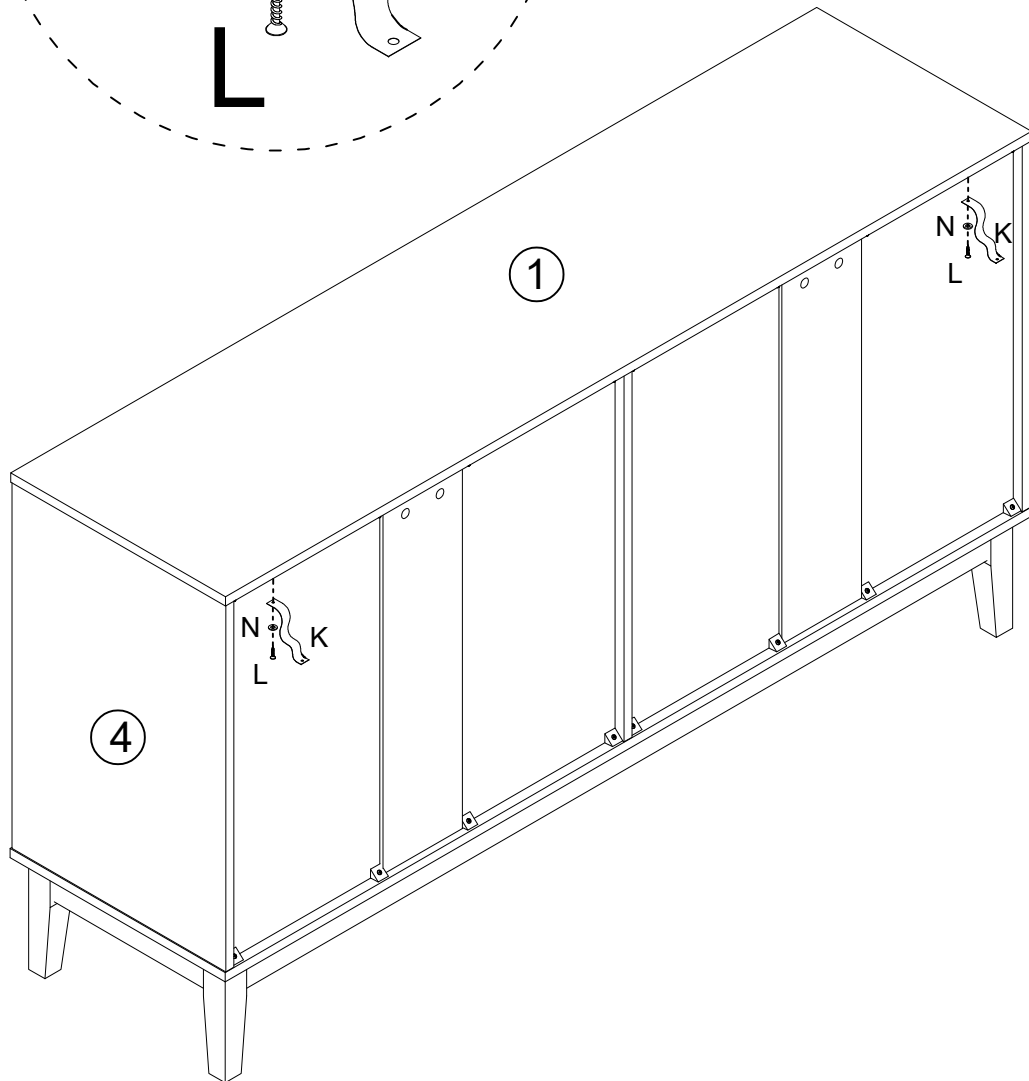
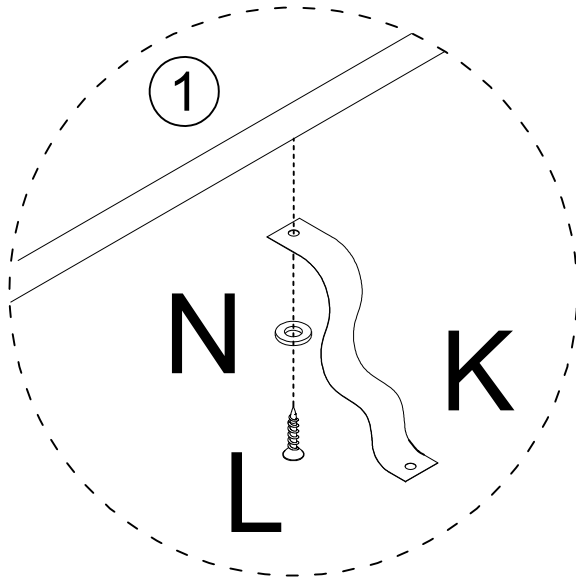
Step 11

			
H	x16	I	x16


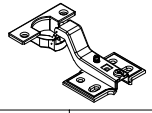


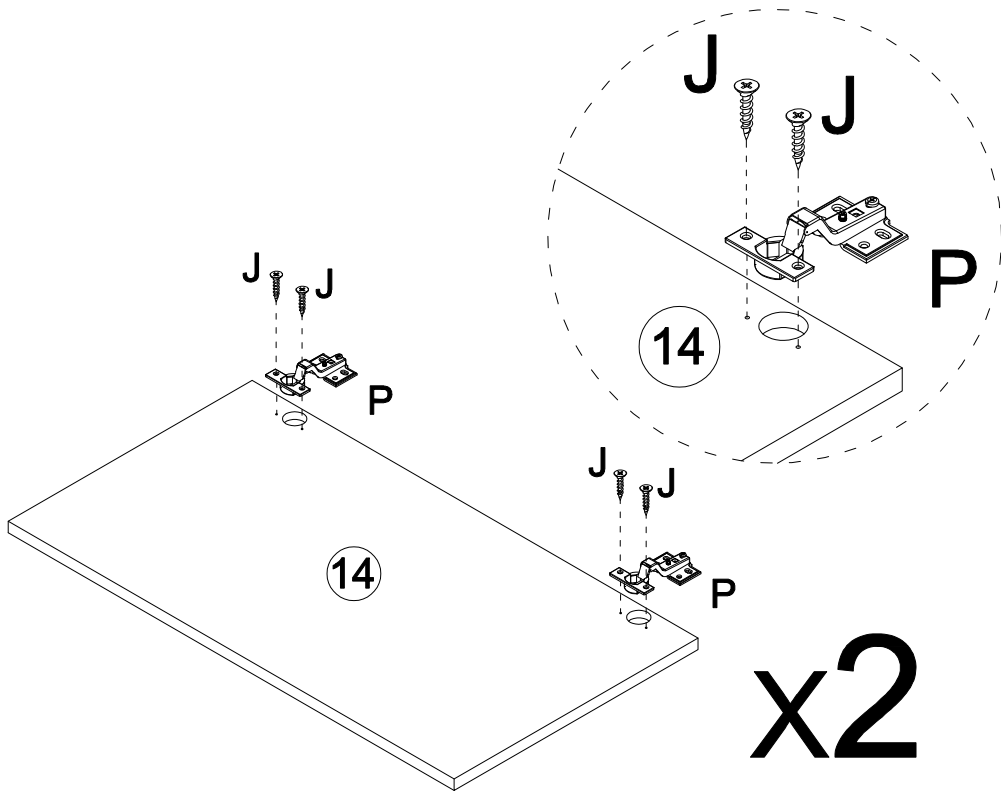
Step 12

					
K	x2	L	x2	N	x2

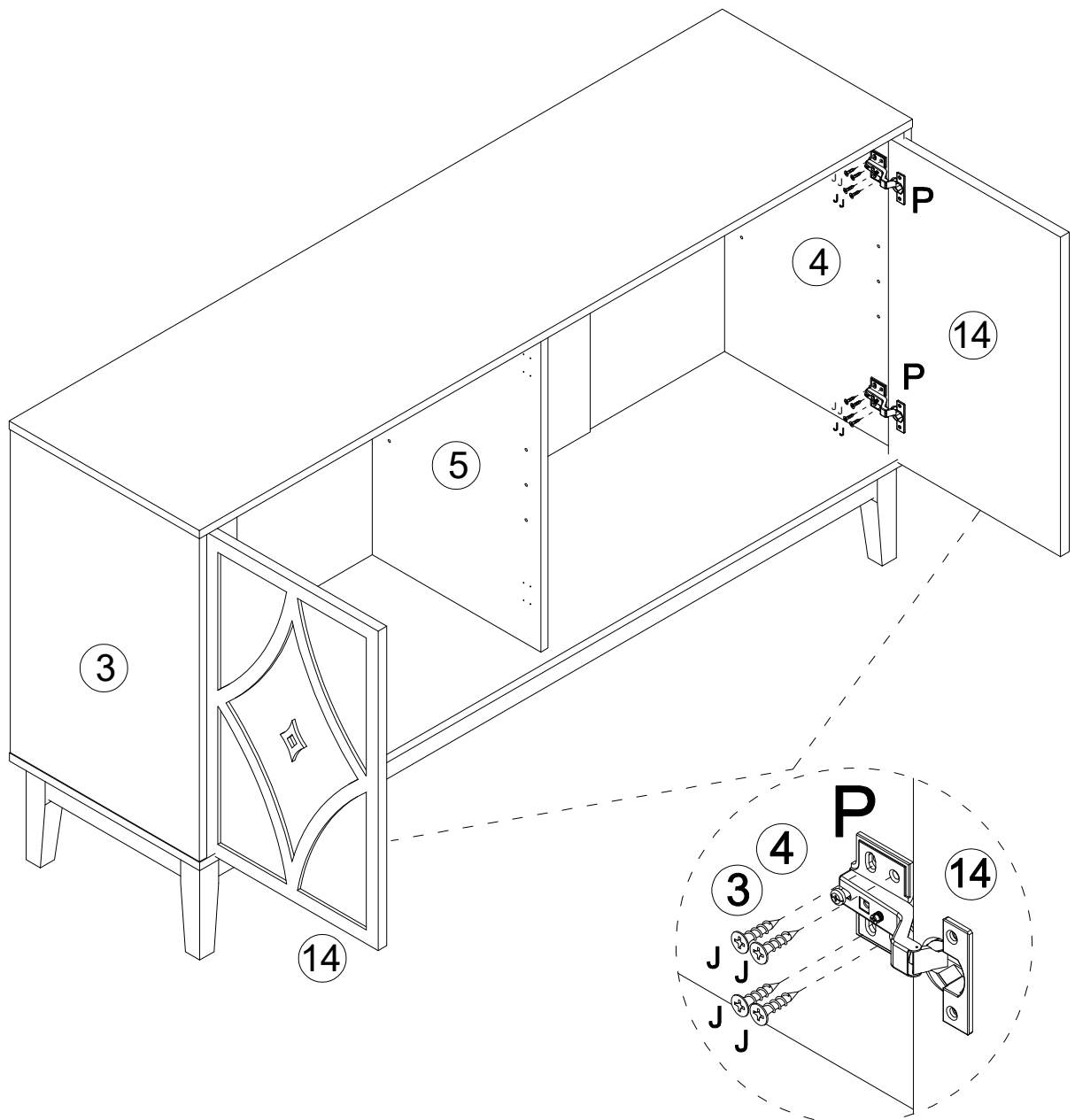
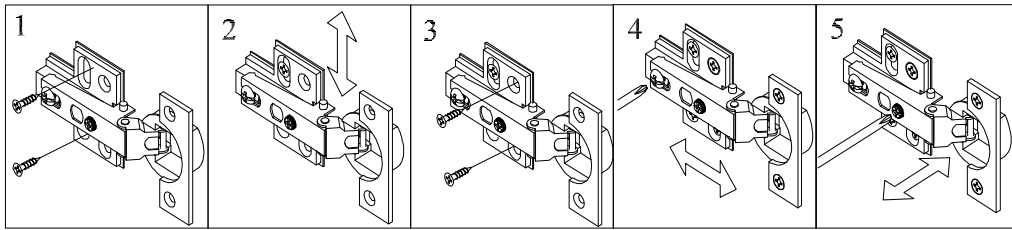
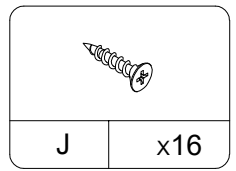


Step 13


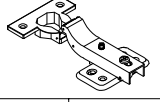
			
J	x8	P	x4

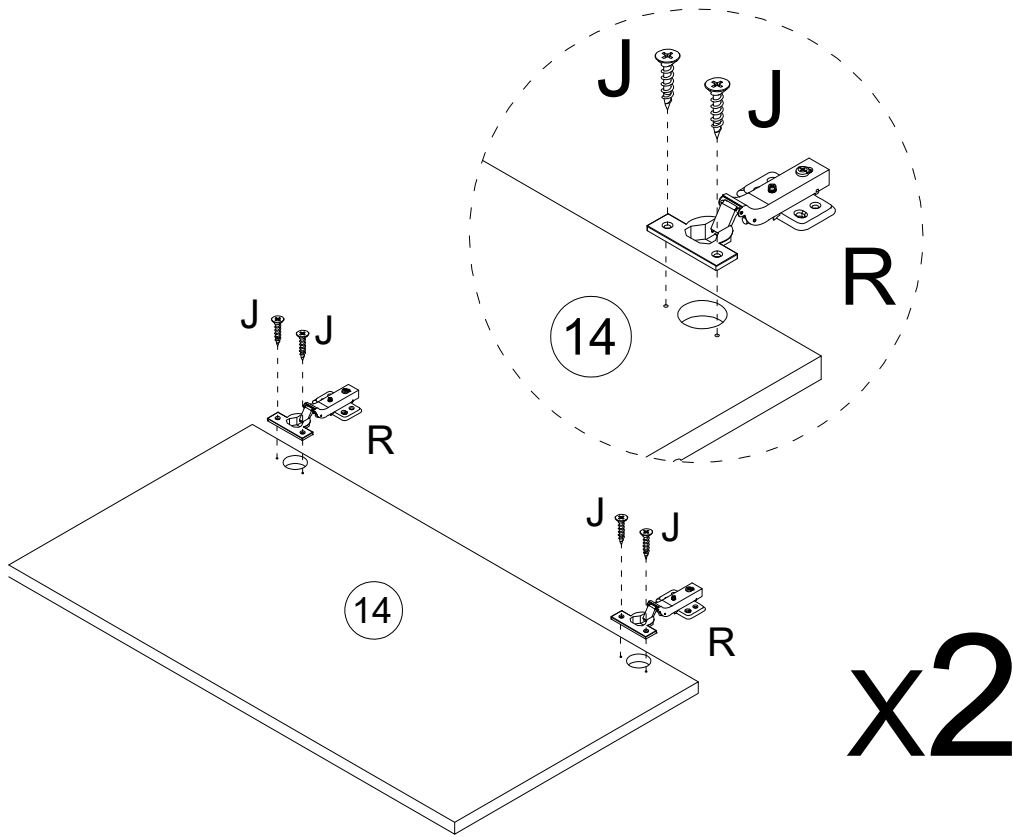


Step 14

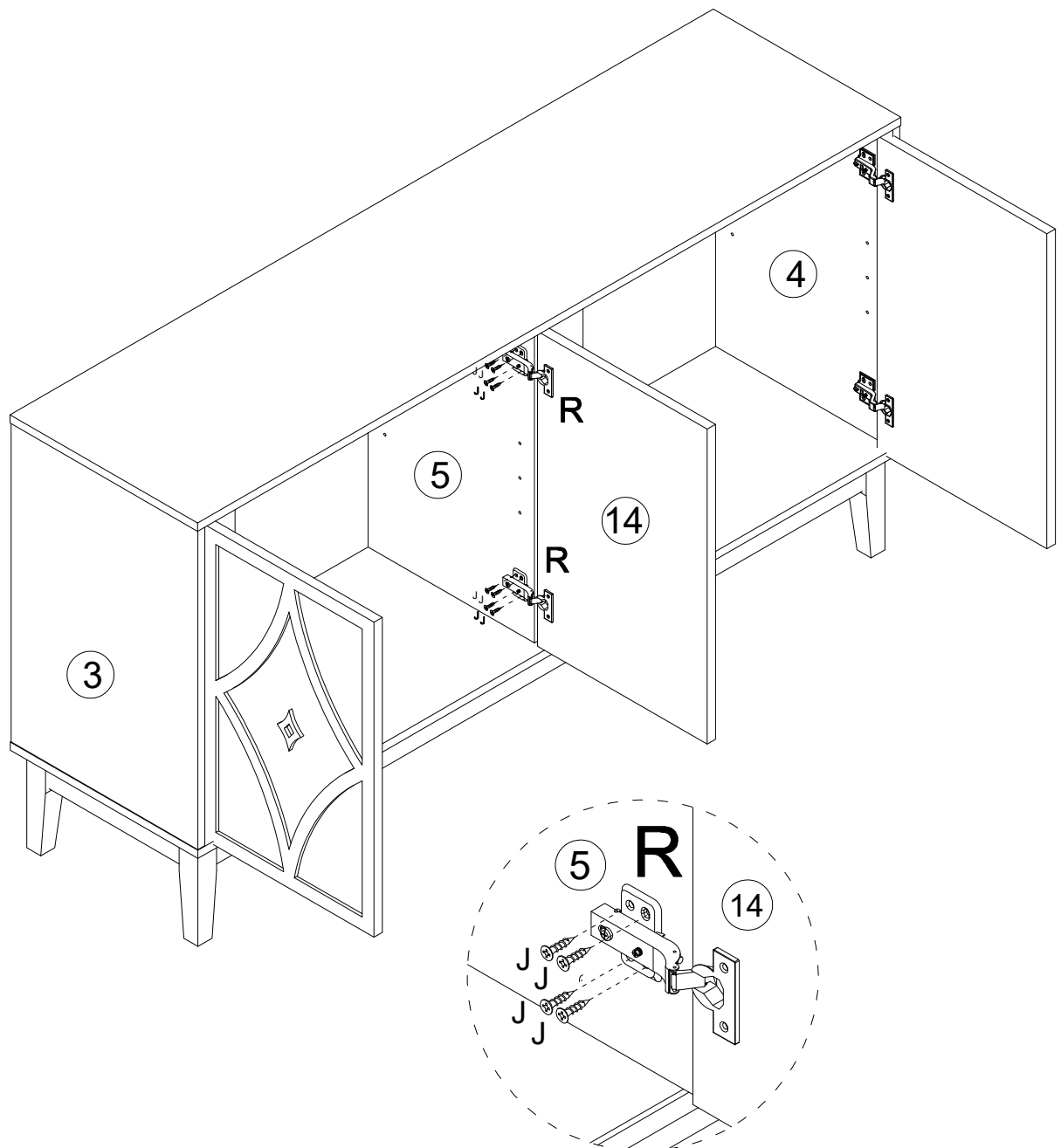
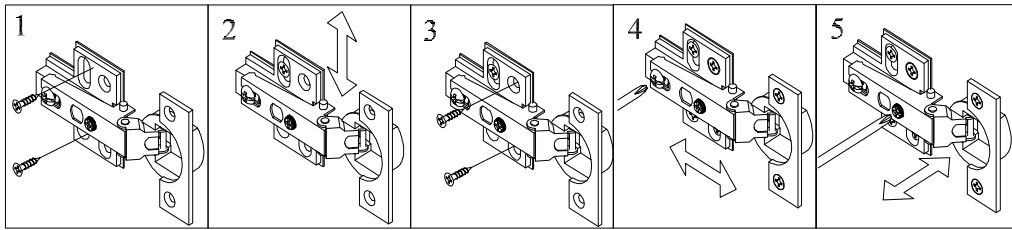
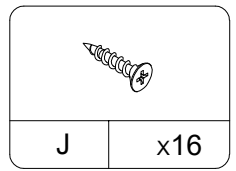


Step 15

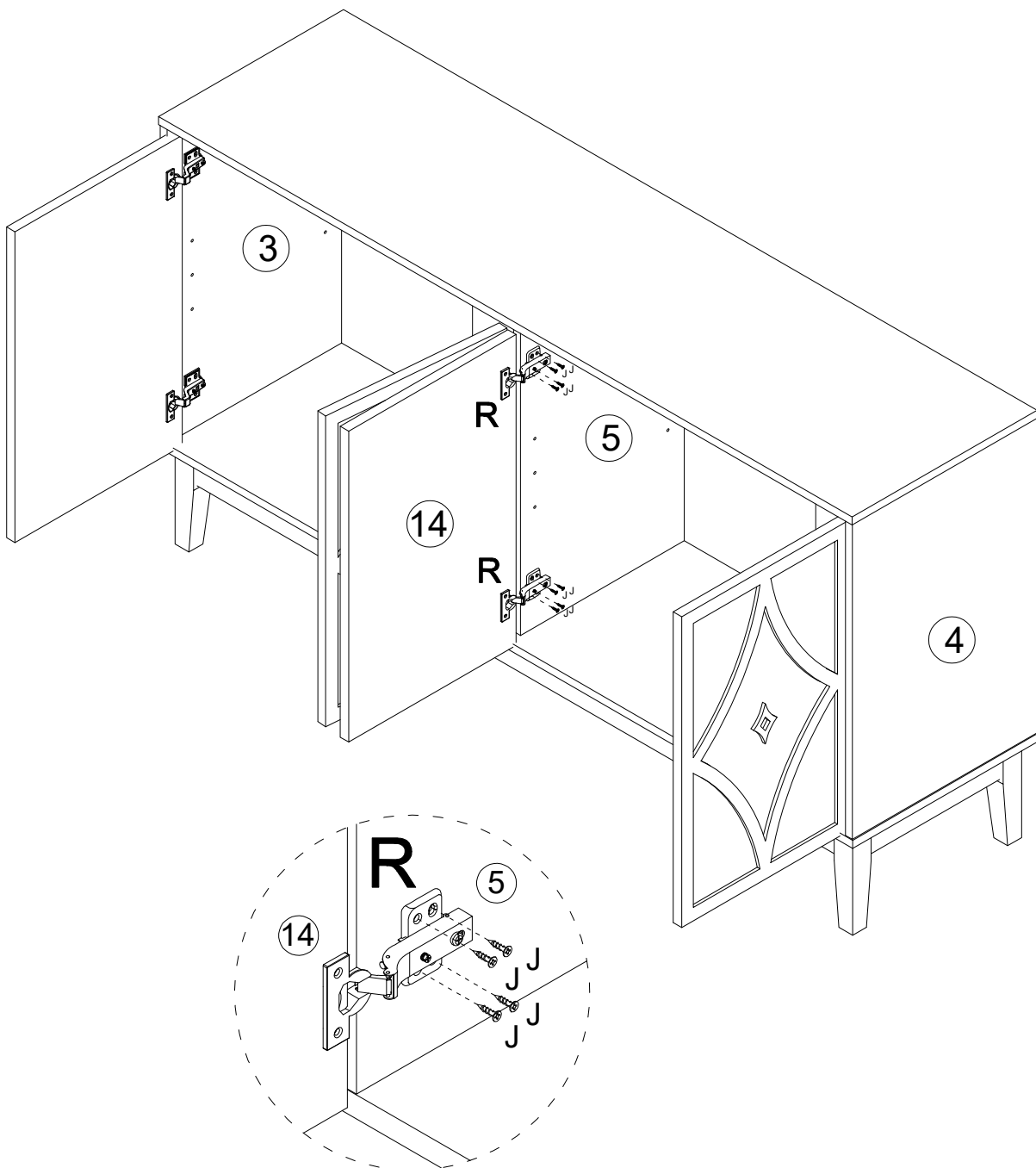
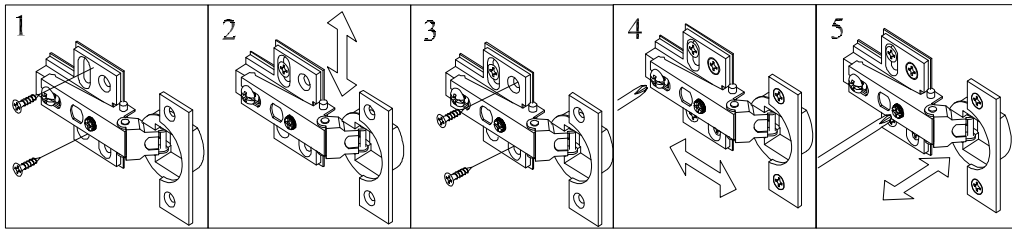
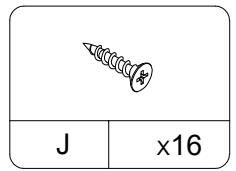
			
J	x8	R	x4



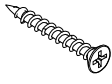


Step 16

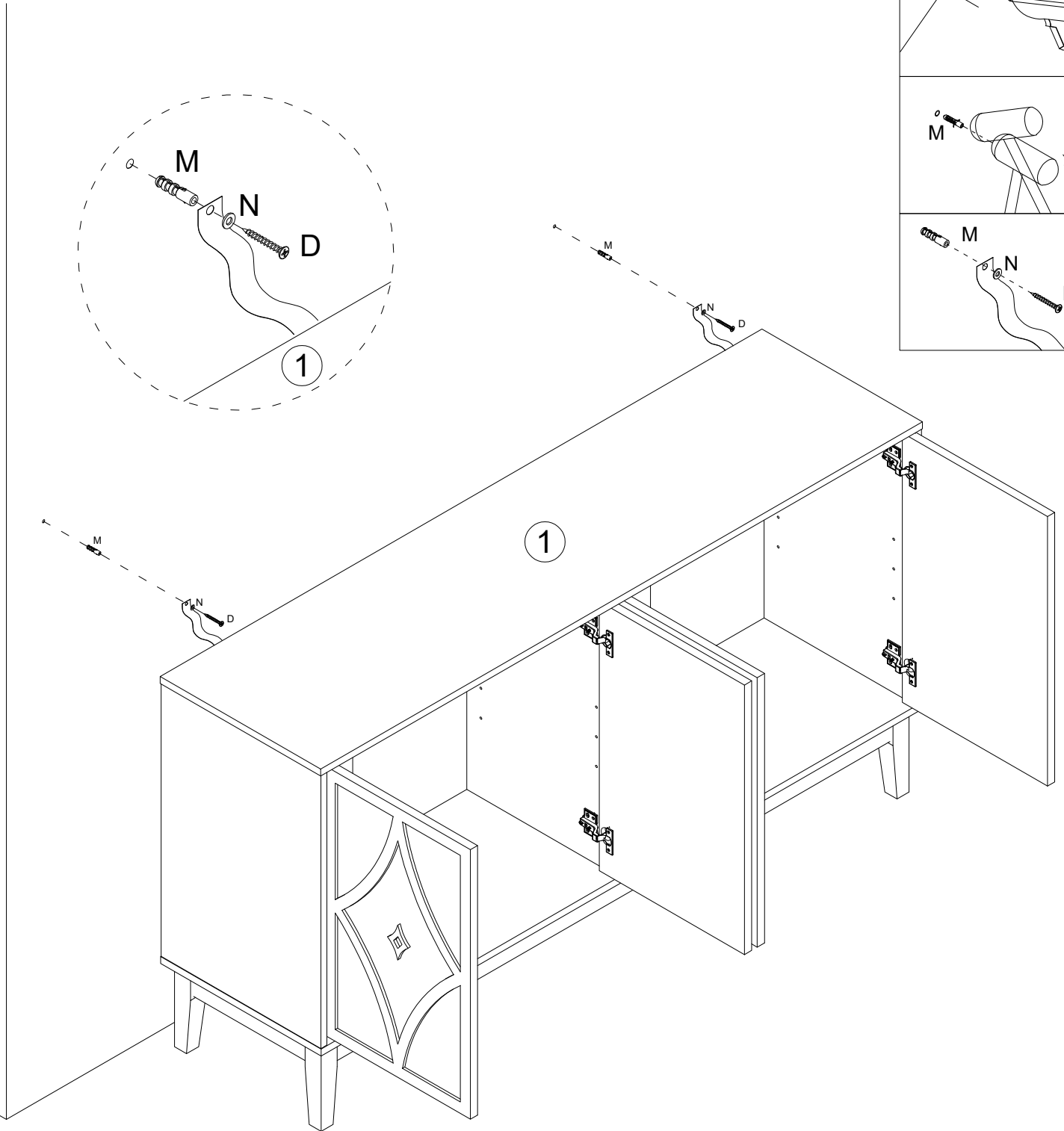
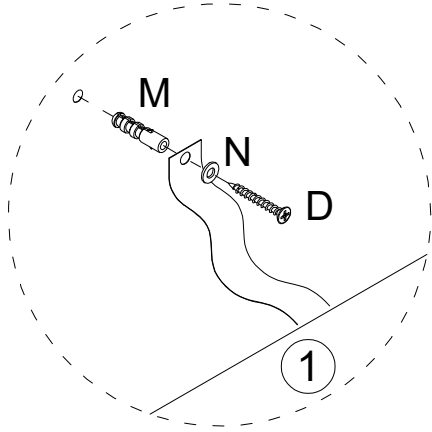
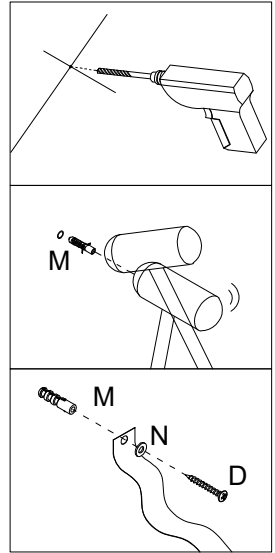


Step 17

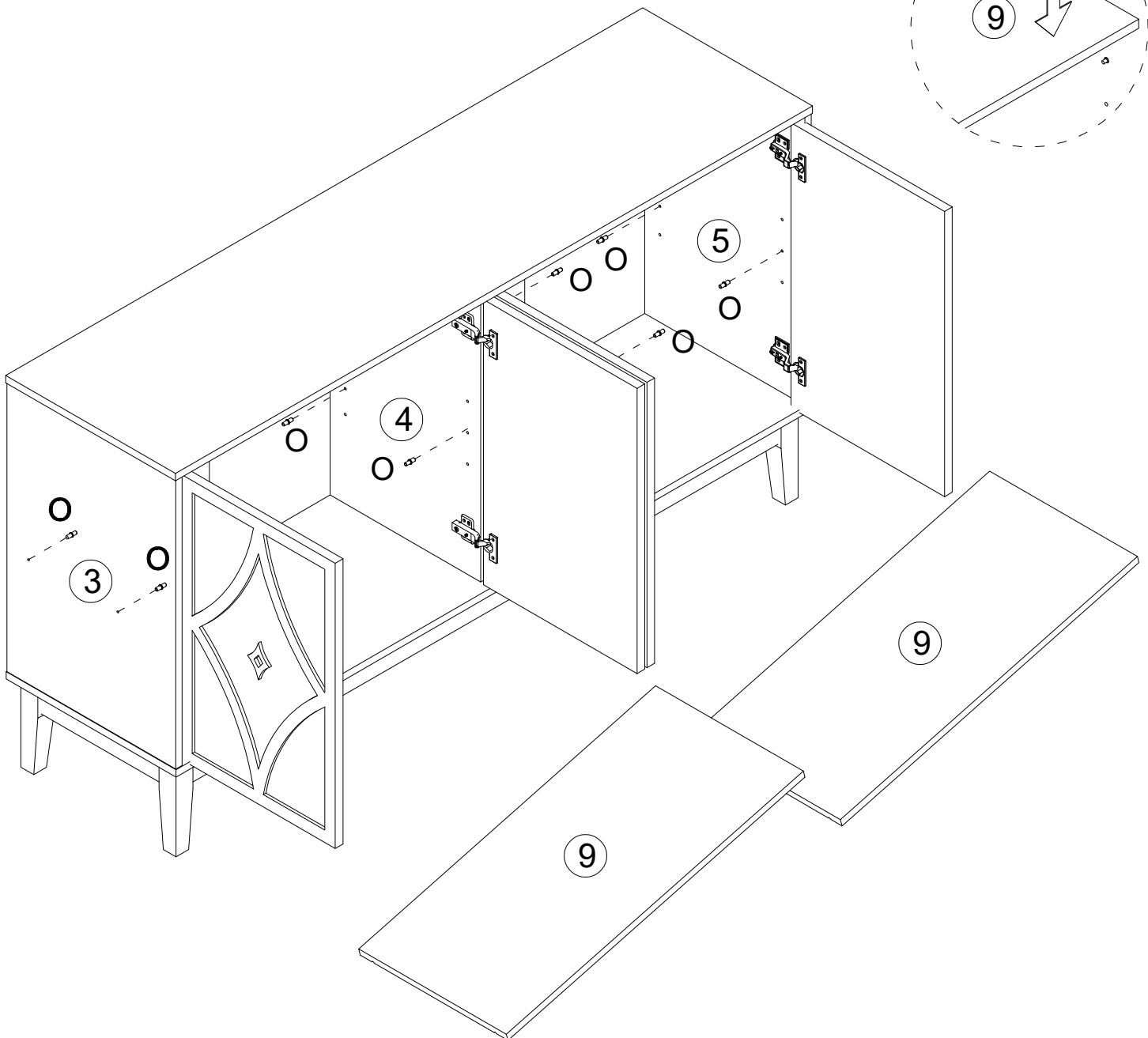
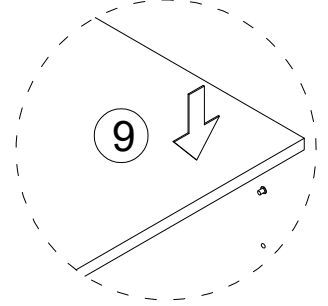
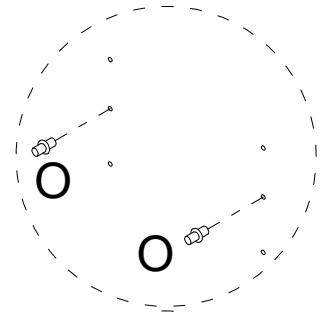
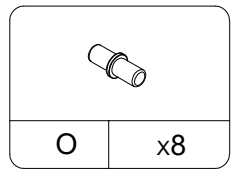


Step 18

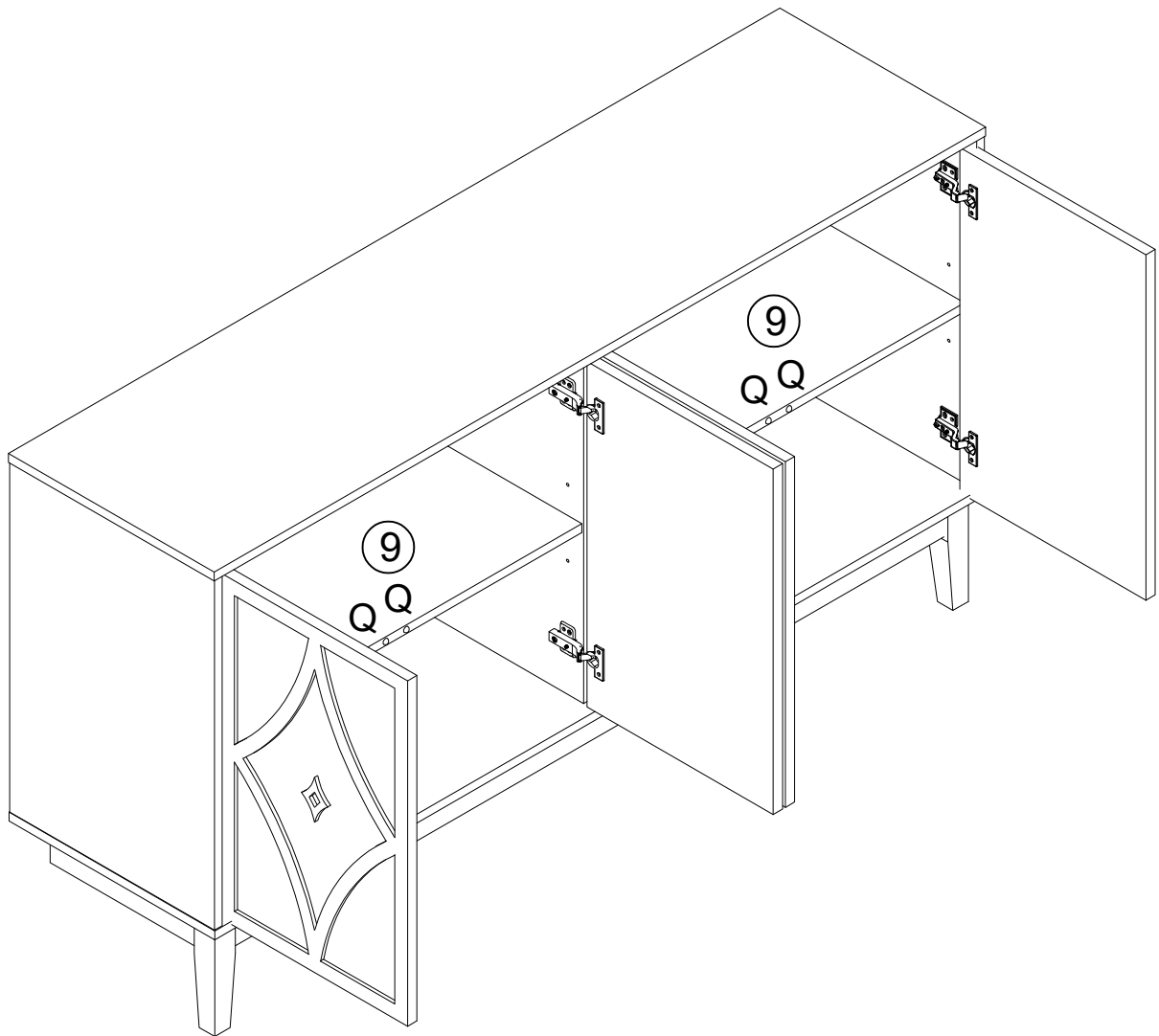
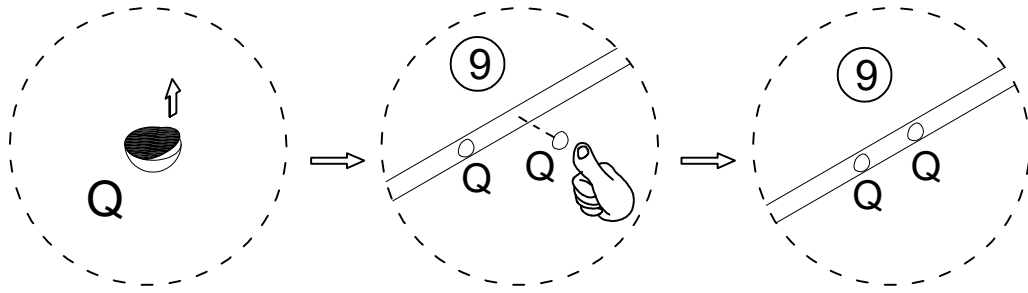
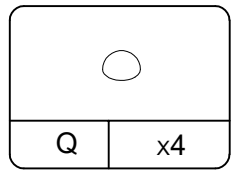
		
D	M	N
x2	x2	x2



Step 19



Step 20

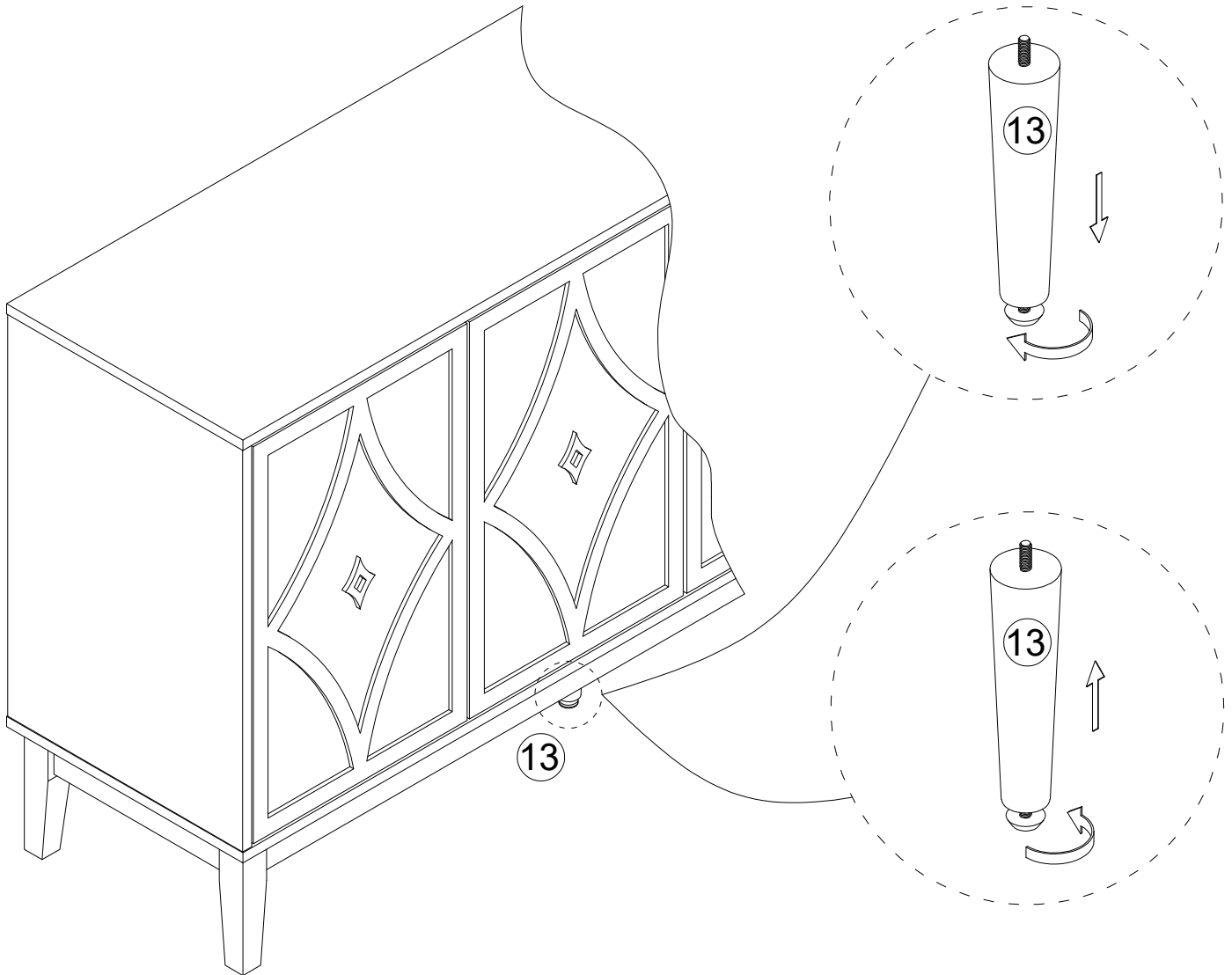


Step 21

Is your cabinet door looking crooked or unevenly spaced? (Cont.)

If you're still having trouble lining everything up, your next step should be to try to adjust the feet slightly to square up the cabinet & doors. Follow the illustrations below:

If the right door appears to be hanging low, you can adjust the adjustable leveler on the front right until the door is better aligned.



Proper Use

- DO NOT use for commercial purposes
- DO NOT use as a step stool or stand on table
- DO NOT put hot serving liquid directly on the table top
- DO NOT leave spilled liquid on the table top
- DO NOT use table if damaged
- DO NOT exceed weight limit
- DO NOT make temporary repairs
- DO NOT use outdoor

Dear Customer :

Thank you for purchasing our product,we wish you satisfy our service,if you have any further questions or any quality issues, please show the belows number and don't hesitate to contact our Customer Service People:

W688202507