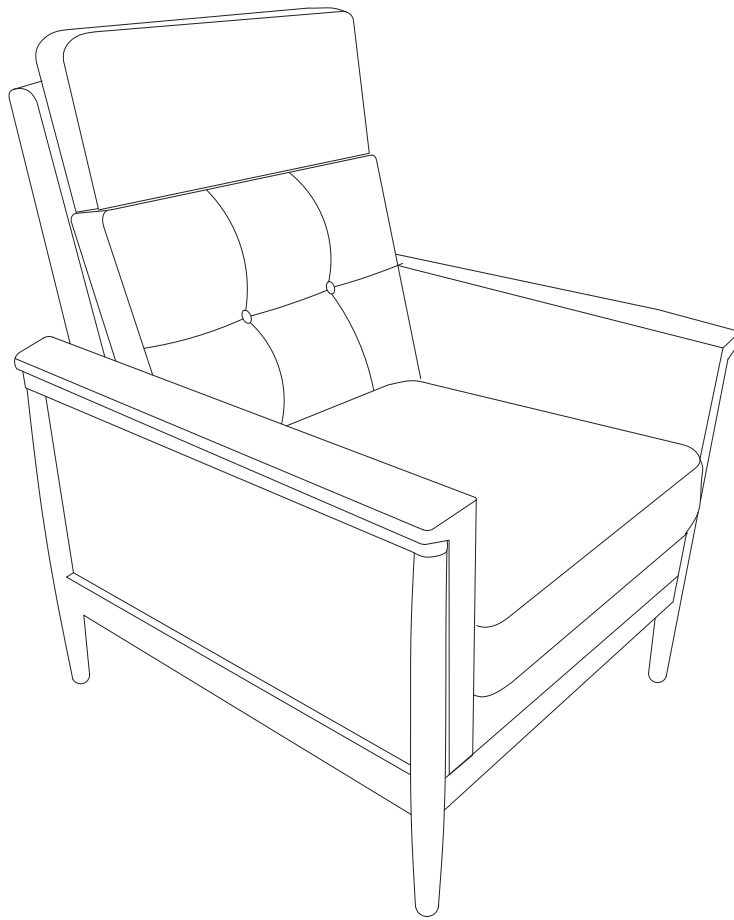


# HULALA

## HOME



**ITEM NO. CHJL1202**



Per Seat Weight Limitation

**300 LBS**

Thank You For Choosing Our Furniture

✦ If you have any questions or concerns,  
don't hesitate to reach out to us. ✦

Call us: +1(833)324-2464  
Email: [hello@hulalahome.com](mailto:hello@hulalahome.com)

**NOTE:**







This brochure contains  
**IMPORTANT** safety info.  
Please read and keep it  
for future reference.

# MAINTAINANCE AND WARNINGS



## Before You Start

***Please follow the steps below:***




-  Un box the package and check if all parts and accessories are complete.
-  Place the parts of the chair on a flat surface.
-  Ensure the chair is placed on a stable, flat surface to prevent it from tilting.
-  Avoid placing sharp or heavy objects directly on the chair to prevent tears or deformation.
-  Clean the installation area in advance and ensure the ground is level and there is enough space to avoid damaging the furniture or making installation difficult.
-  Lay a protective mat on the ground to prevent scratching the floor during installation.

### ***After-Sales Service***

- If you encounter any issues or need technical support during use, please contact our after-sales team. We offer long-term maintenance and warranty services.





## Precautions

-  This chair is for indoor use only. Do not expose it to outdoor elements or high-humidity environments.
-  Keep the product away from high heat or open flames to prevent fire hazards.
-  Do not allow children or pets to play on the chair unsupervised to avoid accidents.



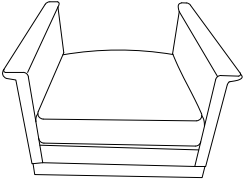
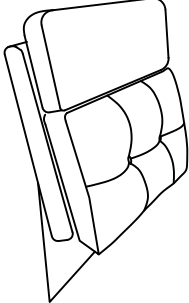
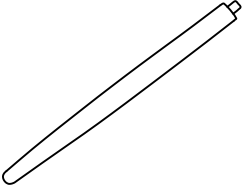
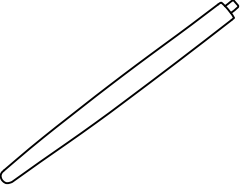
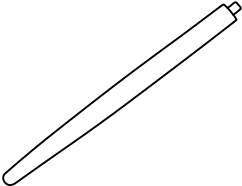
## Safety Warnings

-  If you notice any loose or damaged parts, stop using the sofa immediately and contact customer service.
-  Do not attempt to disassemble or replace any components yourself, as this may affect the stability and safety of the product.

### ***Daily Maintenance***

- Regularly clean the surface of the sofa with a chair cloth to prevent dust accumulation.
- For fabric chairs, it is recommended to vacuum weekly and clean the fabric as needed.
- For leather chairs, use a leather cleaner regularly to clean and maintain the material. Avoid direct sunlight to prevent leather aging.
- In case of spills, immediately blot the area with a clean, dry cloth

# Parts List

<p><b>A</b></p>  <p>x1</p> <p>Seat cushion</p>	<p><b>B</b></p>  <p>x1</p> <p>Backrest</p>
<p><b>C</b></p>  <p>x2</p> <p>Front wooden leg</p>	<p><b>D</b></p>  <p>x1</p> <p>Right back wooden leg</p>
<p><b>E</b></p>  <p>x1</p> <p>Left back wooden leg</p>	


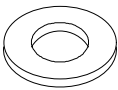




Installation:  
15minutes.



One Person

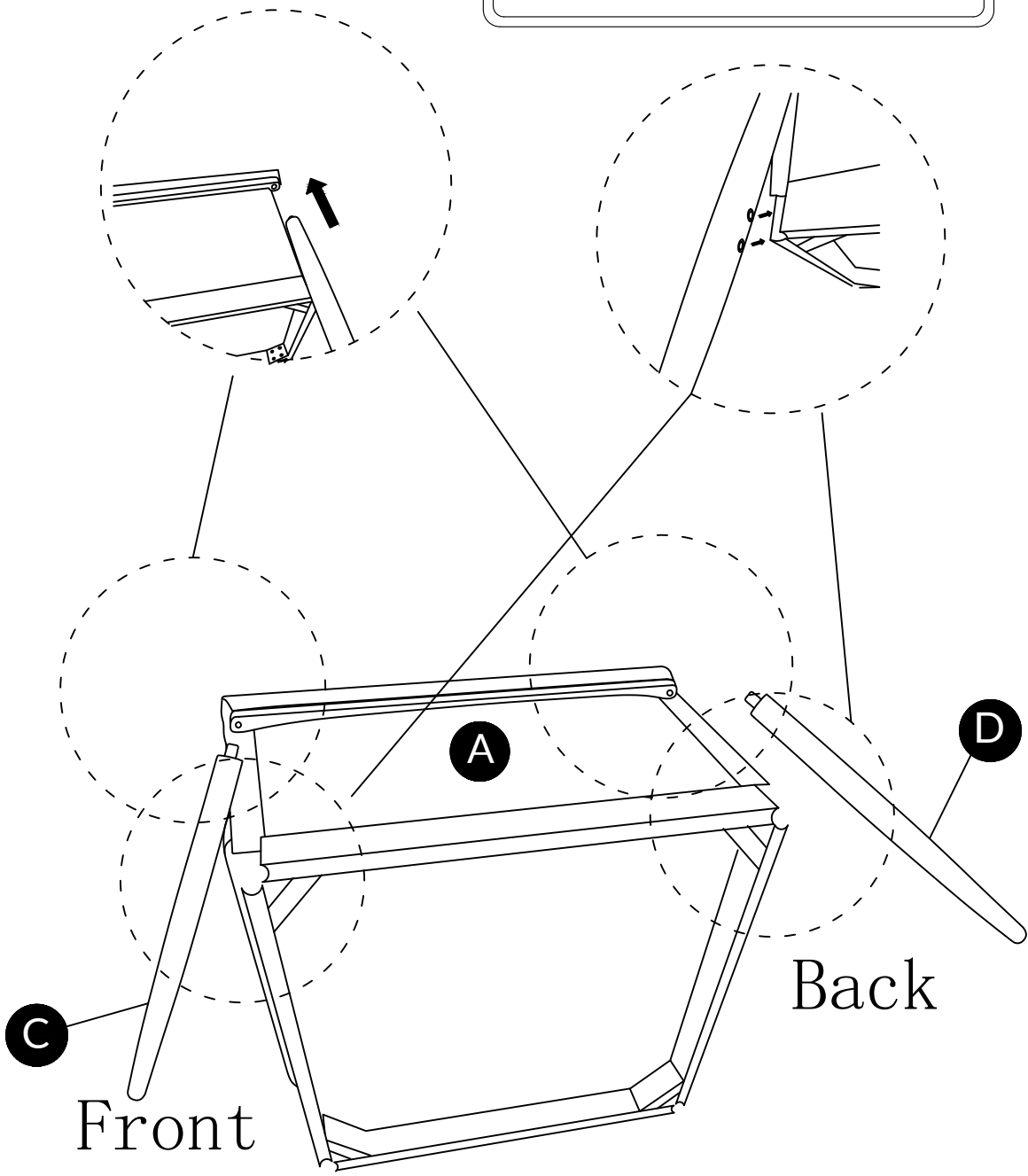
# Hardware List

<p>1</p>  <p>x8+1</p> <p>5\16"x70MM</p>	<p>2</p>  <p>x8+1</p>	<p>3</p>  <p>x8+1</p>
<p>4</p>  <p>x1</p>		

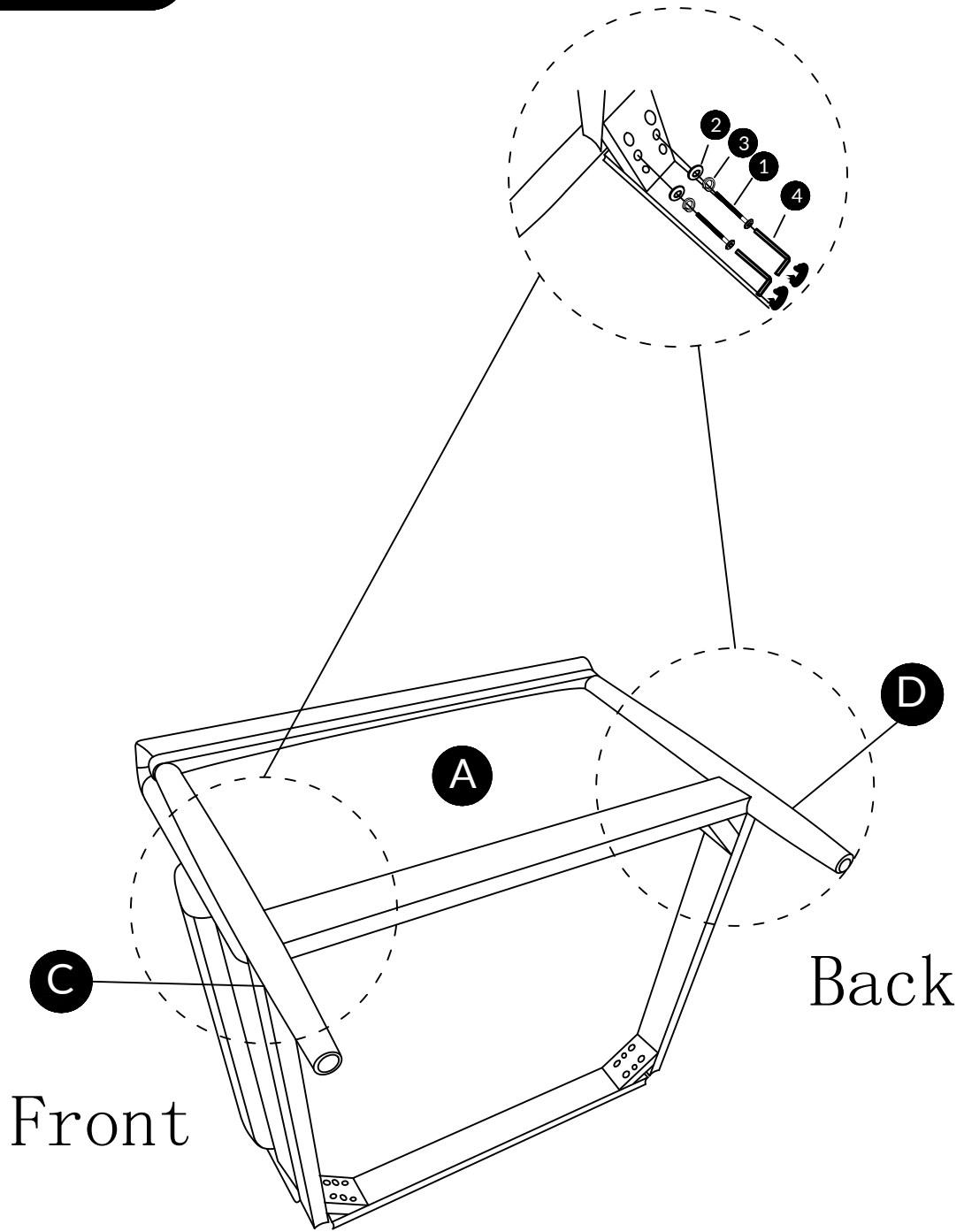
**Step 1**




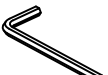


Make sure the C wooden leg goes to the C hole and the D wooden leg goes to the D hole.



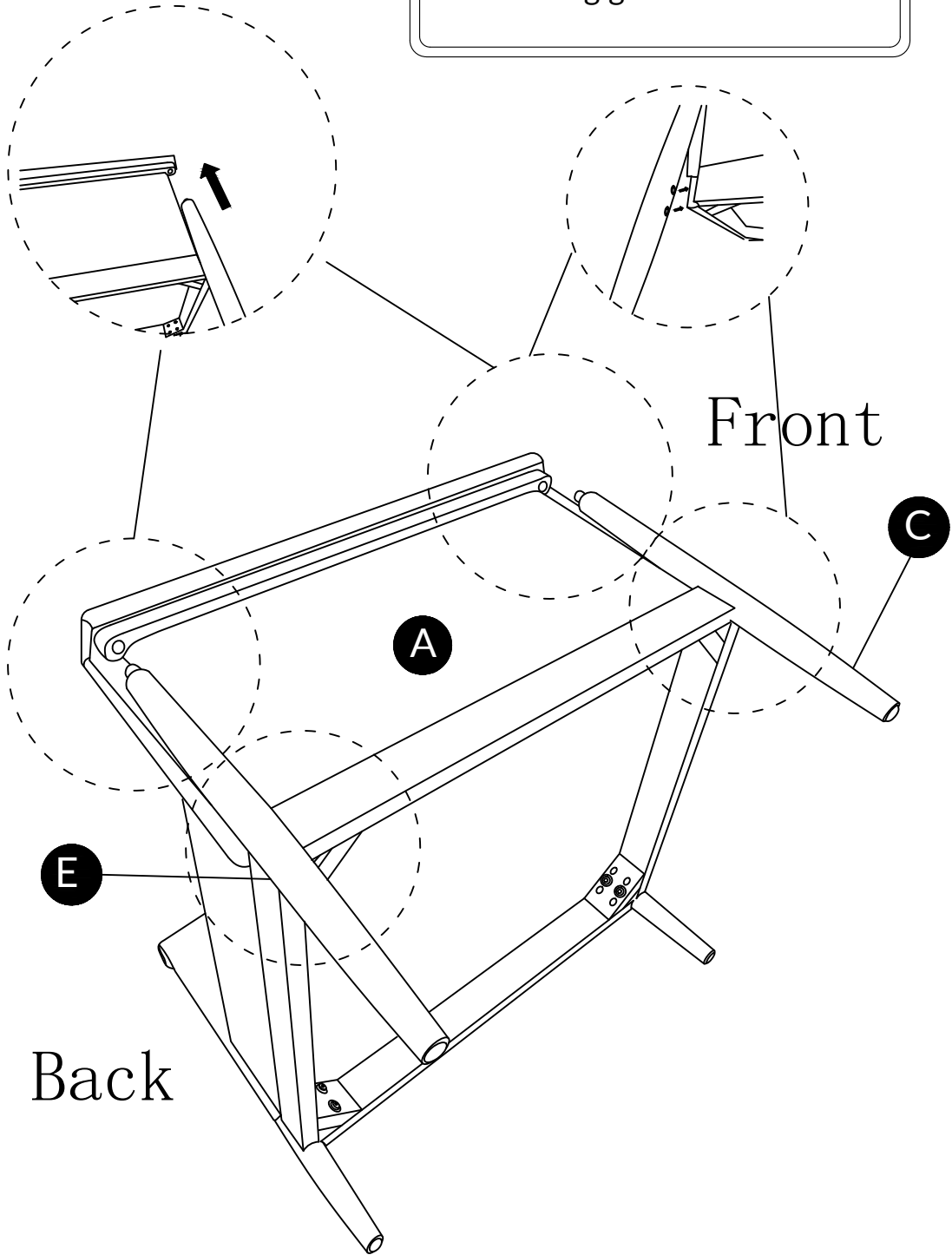
**Step 2**



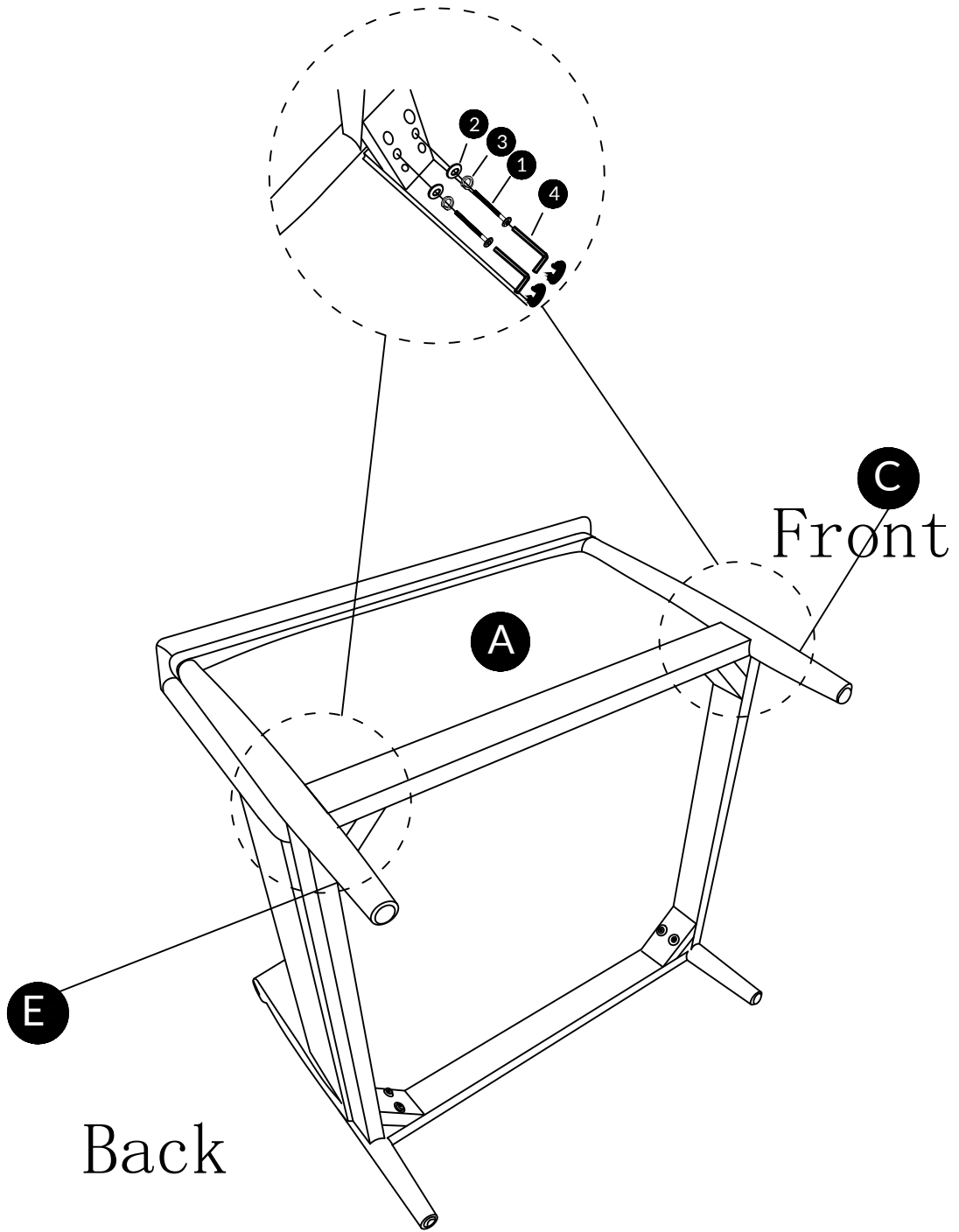
1	x4	2	x4	3	x4	4	x1
							
5/16"x70MM		M8		M8		M8	


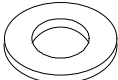


**Step 3**

**!**  
Make sure the C wooden leg goes to the C hole and the E wooden leg goes to the E hole.

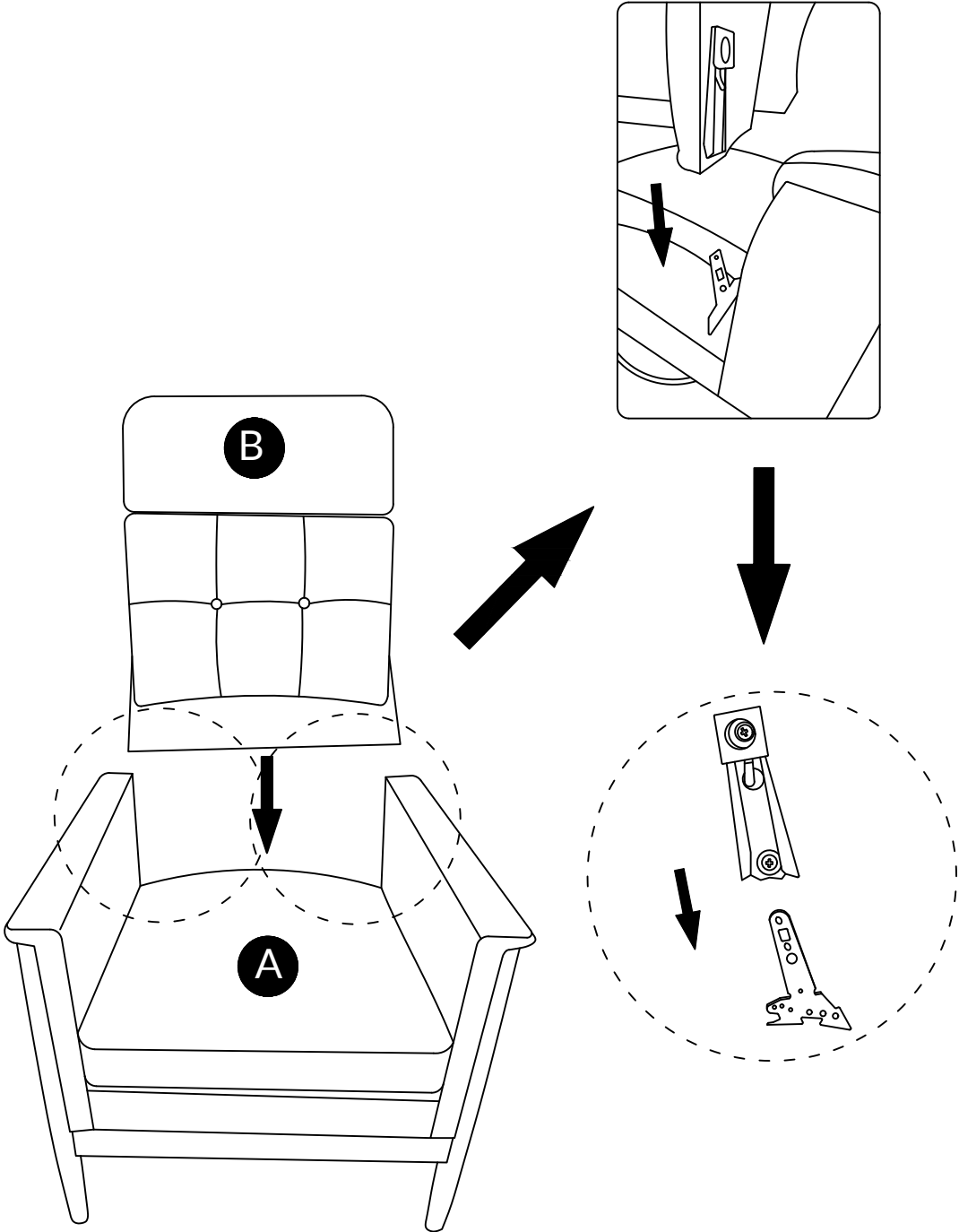


**Step 4**

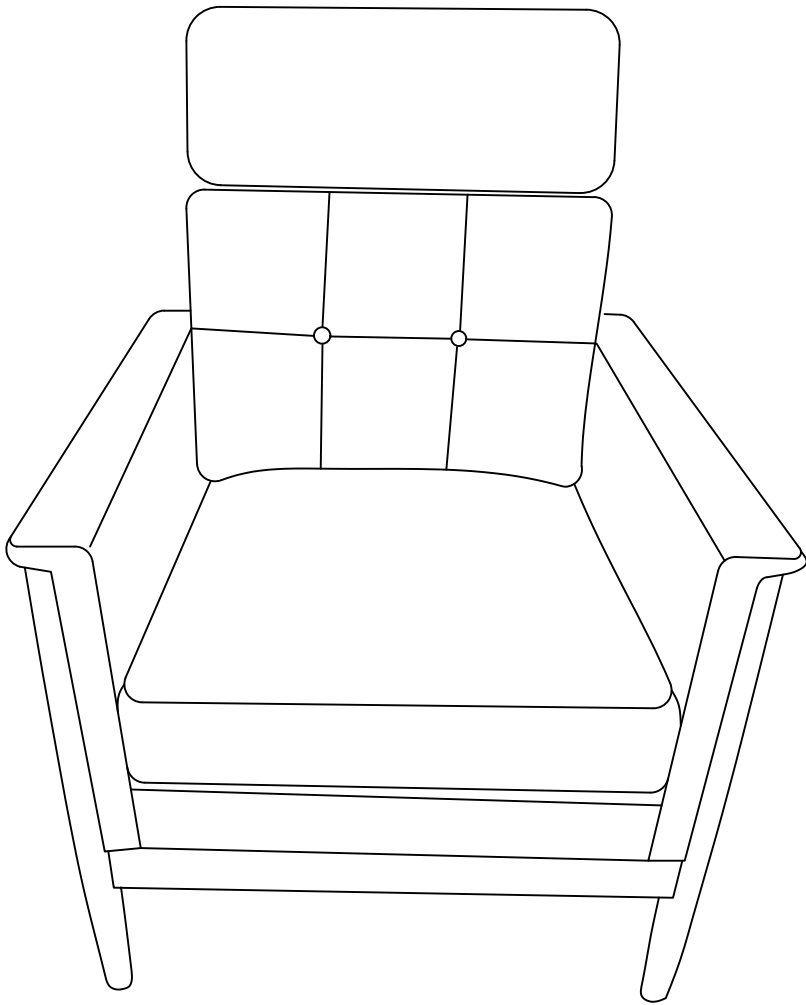


1	x4	2	x4	3	x4	4	x1
							
5/16"x70MM		M8		M8		M8	

**Step 5**



**Step 6**



# WARRANTY

- We strive to offer quality products, and we also try our best to satisfy every customer who orders from us with products or services as needed.
- We provide 30 days warranty starting from the time you receive the item. Each customer must provide a record of their orders such as the order number, or item receipt for any items that are out of the warranty period you may also still receive.
- Replacement parts by purchasing them from our company if they are available.
- For return, please check the return policy with the retailer or market place you bought from

## ***Are you having difficulty***

With assembly? Missing parts?  
Please send an email with your order No.to  
[hello@hulalahome.com](mailto:hello@hulalahome.com)

Appreciate your purchasing from us.  
Pop up your life by our furniture piece!