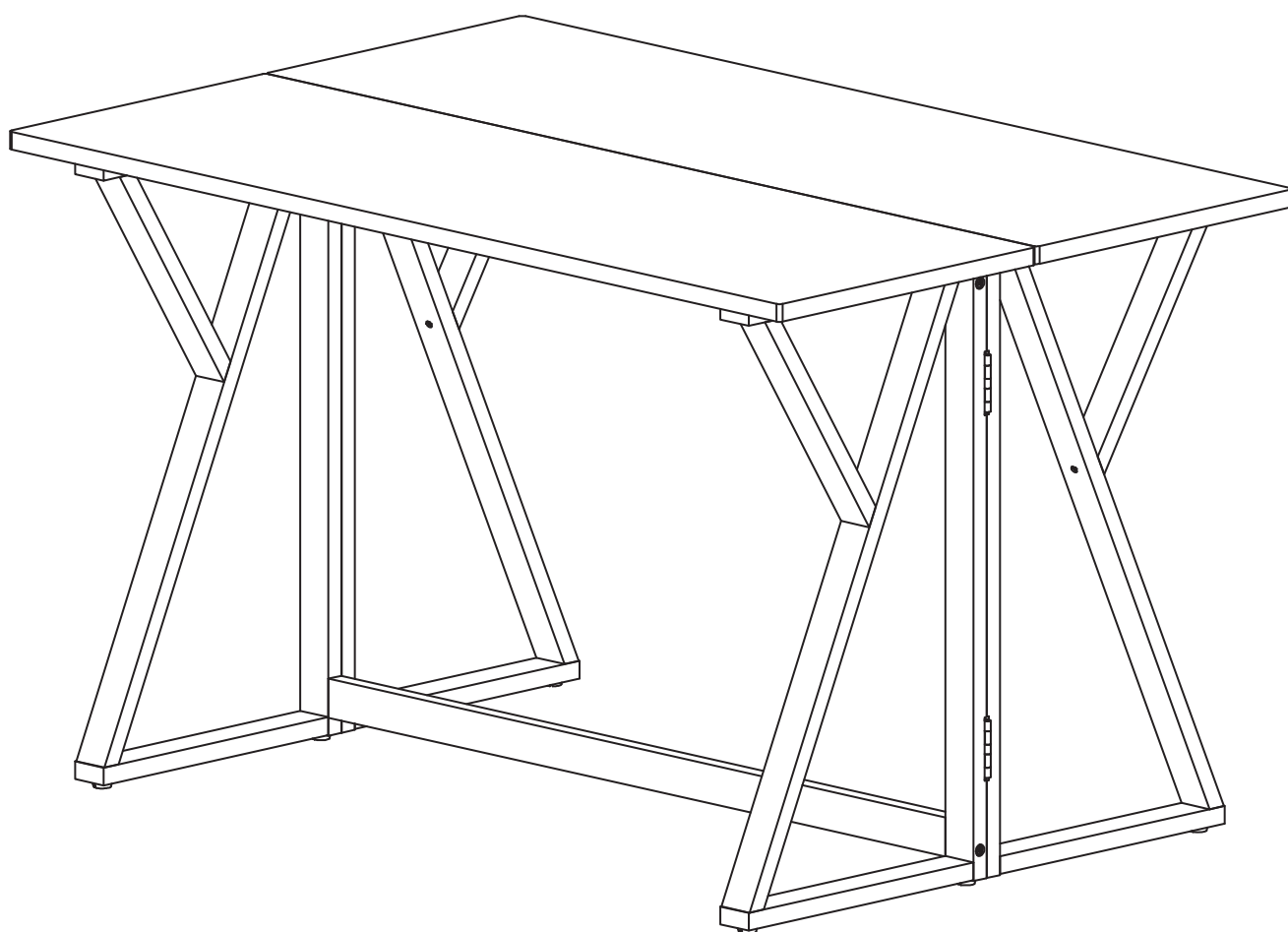
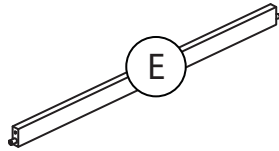
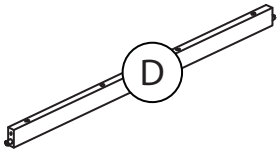
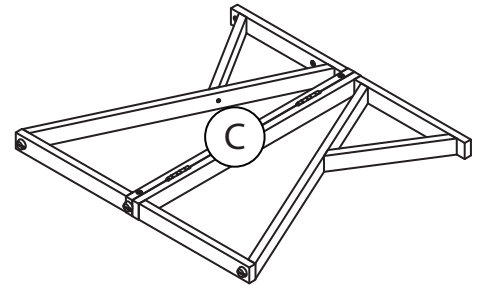
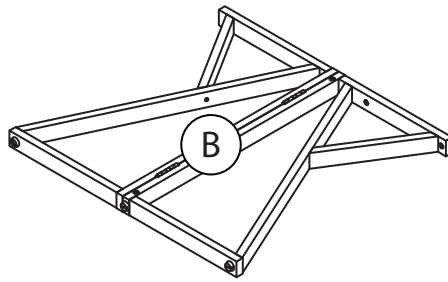
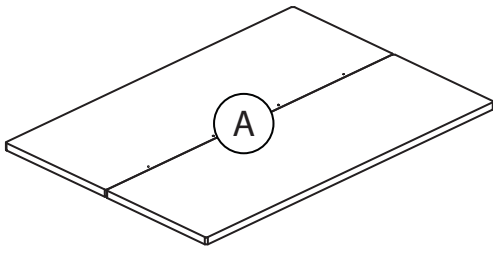


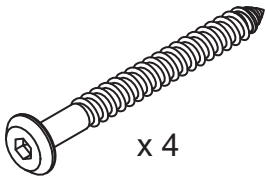
Assembly Instruction
Item# 613-8X
Aztecs Folding Console to Dining
Convertible Table with Solid
American Basswood





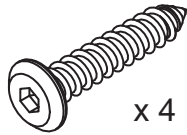
Part	Description	Q'ty
A	Table Top	1
B	Left Panel	1
C	Right Panel	1
D	Top Crossbars	2
E	Bottom Crossbar	1

HARDWARE



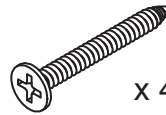
x 4

RF10181
Screw JCA 1/4" x 60



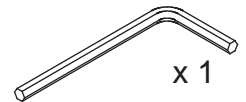
x 4

RF10003
Screw JCA 1/4" x 32



x 4

RF10002
Screw F6 x 1 1/4"



x 1

RF40005
Allen Key

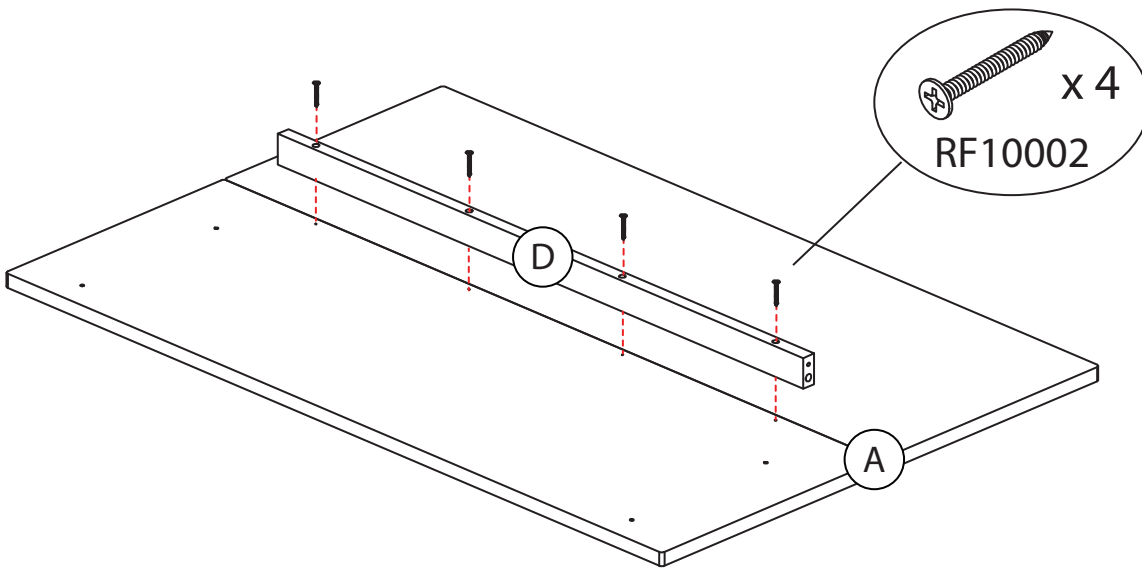


Diagram 1.

Step 1.

Lay the Table Top (A) on a soft surface and attach the Top Crossbars (D) onto the Table Top (A) using 4 screws (RF10002) as shown in diagram 1.

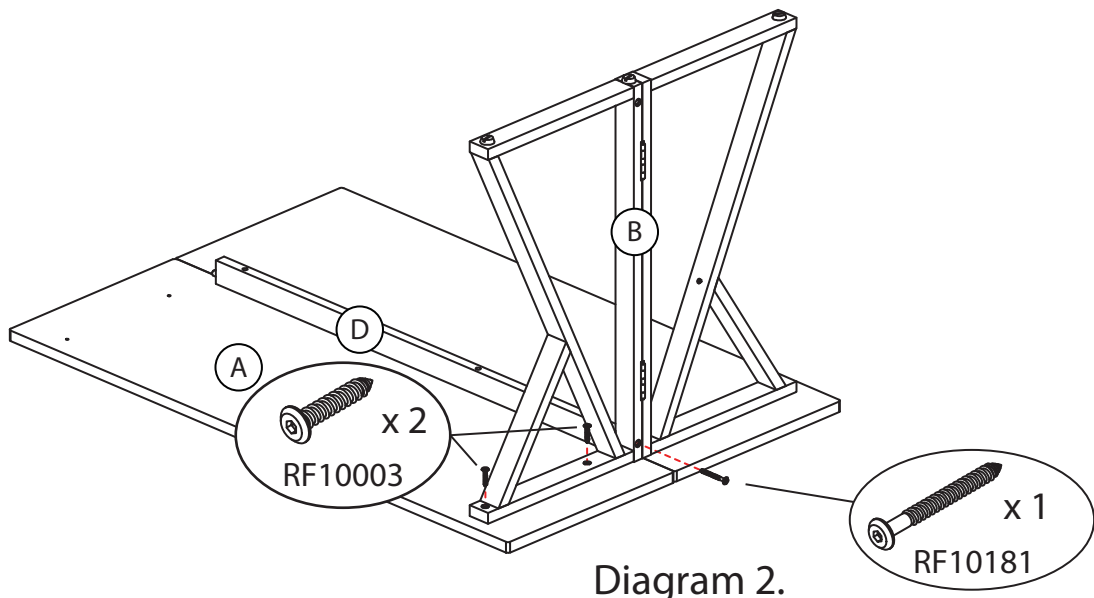
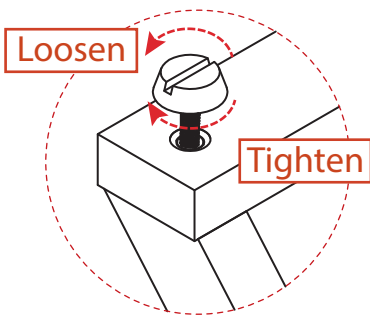


Diagram 2.

Step 2.

Attach the Left Panel (B) to the unit by using screw (RF10181) through the Top Crossbar (D) and using 2 screws (RF10003) as shown in diagram 2.



Tip: ❶ - ❷ is the adjustment point for balancing the Table.

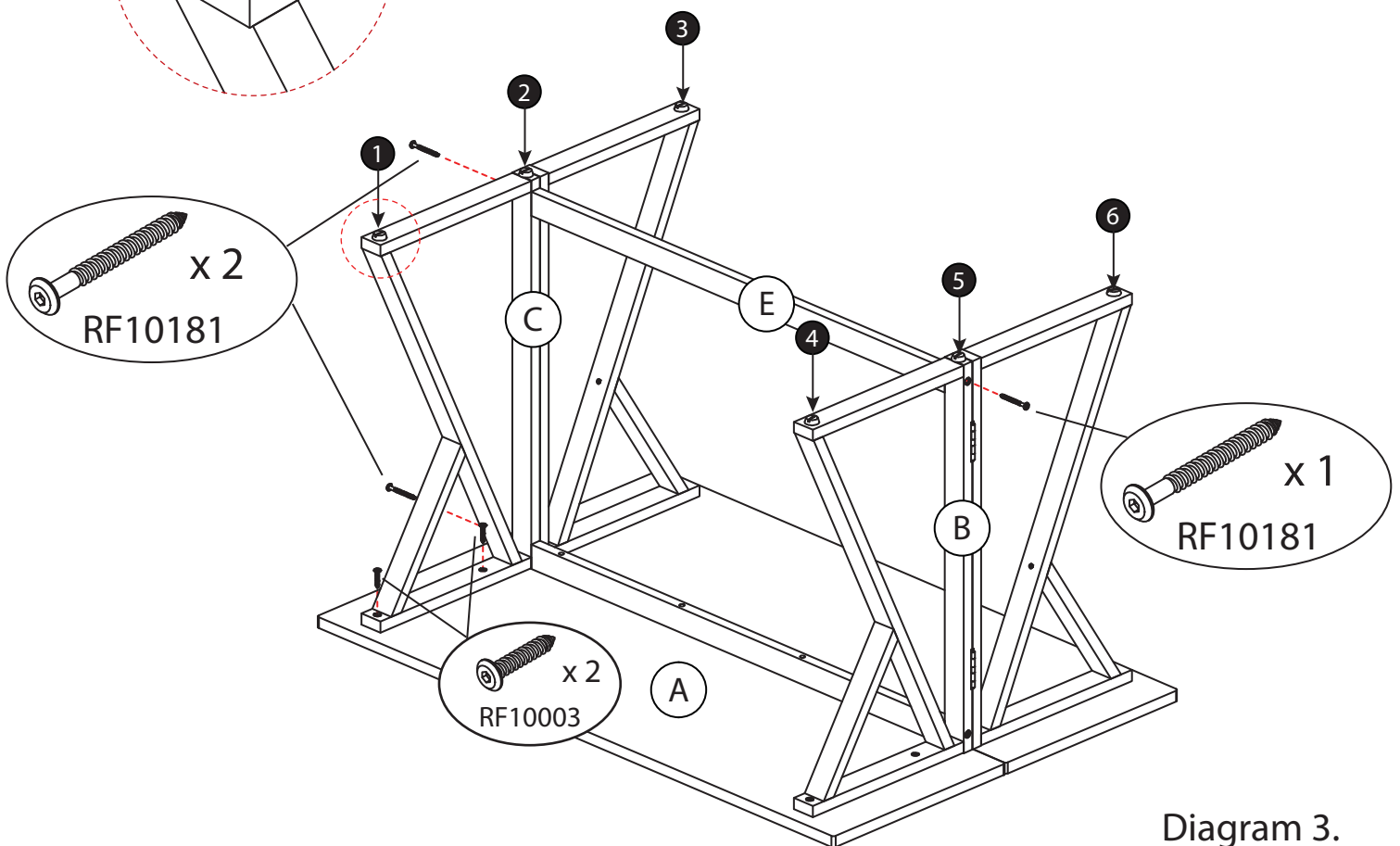
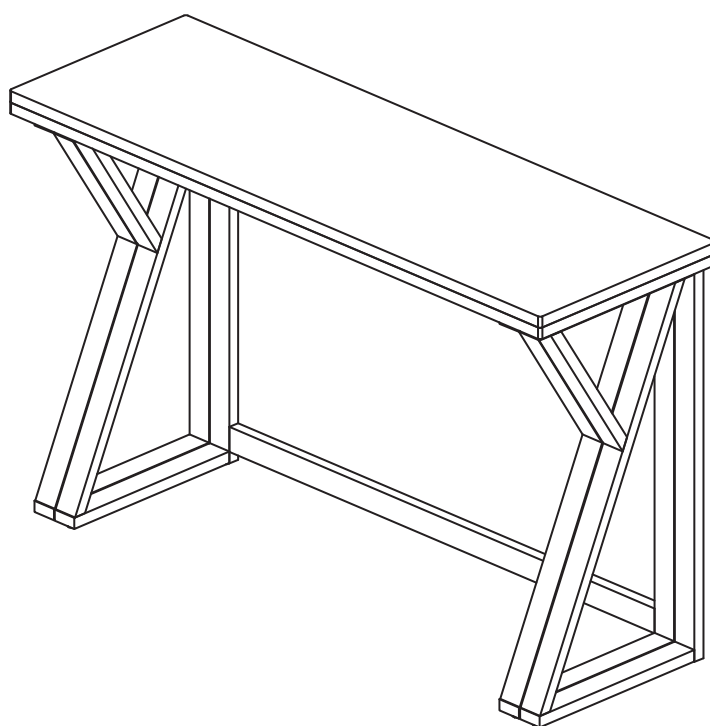
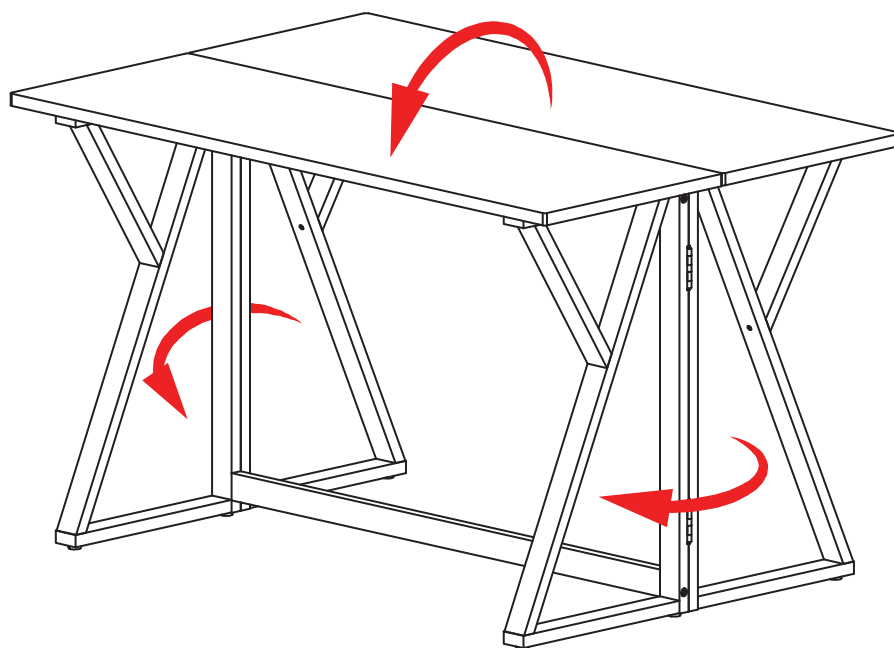


Diagram 3.

Step 3.

Attach the Bottom Crossbar (E) to the Left Panel (B) using screw (RF10181). Then attach the Right Panel (C) to the unit using 2 screws (RF10181) and 2 screws (RF10003) as shown in diagram 3.



Stand the unit upright to complete the assembly of the product.