










CARE AND MAINTENANCE

Wipe clean with a soft, dry cloth. The seat board can be cleaned with a mild cleaner. Test the cleaning method on a hidden area before using them over the entire area.

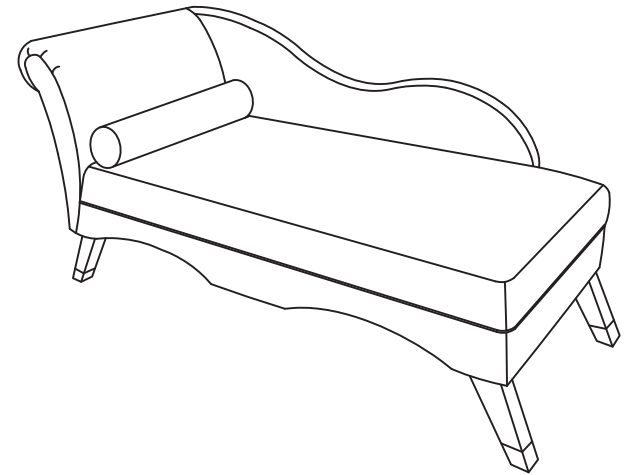
NOTICE

- * Please make sure that you have all parts indicated before you begin assembly of this item.
- * This item should be assembled on a soft surface to prevent scratching the finished product during assembly.
- * This item may require periodic tightening.
- * Do not tighten bolts until completely assembled.

Part List and Hardware List

Piece	Description	Picture	Quantity
A	Leg (A)		2 X
B	Leg (B)		2 X
C	Seat Frame		1 X
D	Side Armrest		1 X
E	Chair Back		1 X
F	Pillow		1 X
H1	Allen Bolt	 5/16"x2"	16 X
H2	Allen Bolt	 5/16"x3"	2 X
H3	Allen Key	 M5	1 X

Product Dimensions:63"W*27-1/2"D*30"H

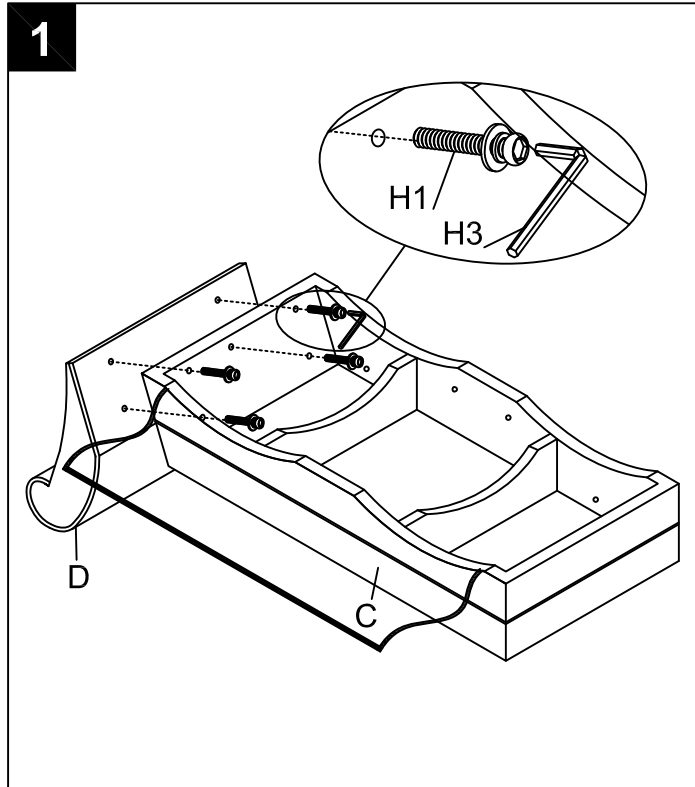


PREPARATION

Before beginning assembly of product, make sure all parts are present. Compare parts with package contents list and hardware contents list. If any part is missing or damaged, do not attempt to assemble the product.

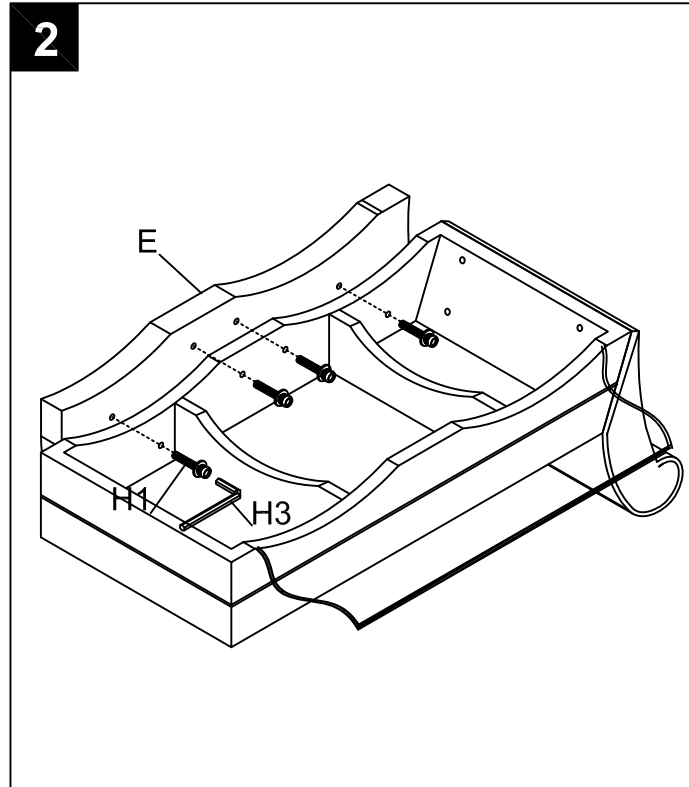
Estimated Assembly Time:15 minutes.

Tools Required for Assembly (included):Allen Key.



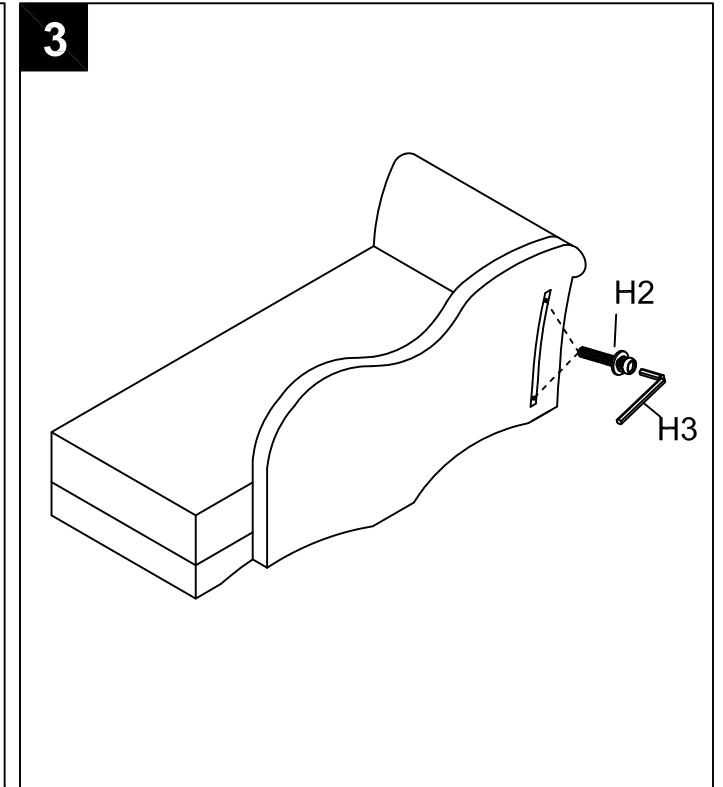
Step 1

Uncover Velcro fabric under seat frame (C). Align rear of Seat Frame (C) with the bottom of Side Armrest (D). Using Allen Key (H3) to screw seat frame (C) to side armrest (D) with 4*Allen Bolts (H1).



Step 2

Place Chair Back (E) front in alignment with side of Seat Frame (C). Using Allen Key (H3) to screw Seat Frame (C) to Chair Back (E) with 4*Allen Bolts (H1).



Step 3

Unzip Chair Back (E). Using Allen Key (H3) to attach Chair Back (E) with Side Armrest (D) with 2*Allen Bolts (H2). Zip up.

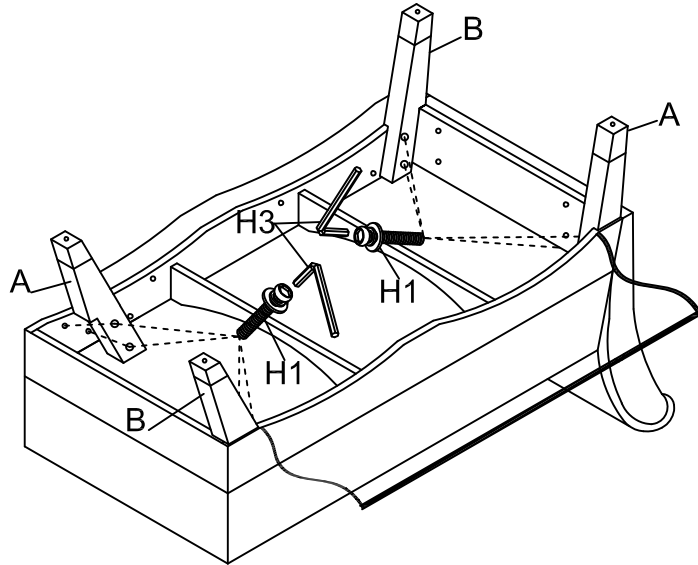
PREPARATION

Before beginning assembly of product, make sure all parts are present. Compare parts with package contents list and hardware contents list. If any part is missing or damaged, do not attempt to assemble the product.

Estimated Assembly Time:15 minutes.

Tools Required for Assembly (included):Allen Key.

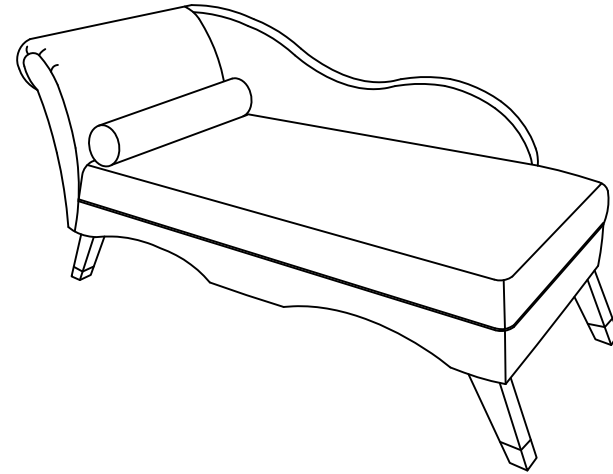
4



Step 4

Assemble 2pcs Leg (A) to seat frame (C) in diagonal position facing front left with Allen Key (H3) & 4*Allen Bolts (H1).
Assemble 2pcs Leg (B) to seat frame (C) in diagonal position facing front right with Allen Key (H3) & 4*Allen Bolts (H1).
Cover the Velcro fabric to side of Seat Frame (C) and press together to close tight.

5



Step 5

Place pillow (F) on top. Assembly completed.