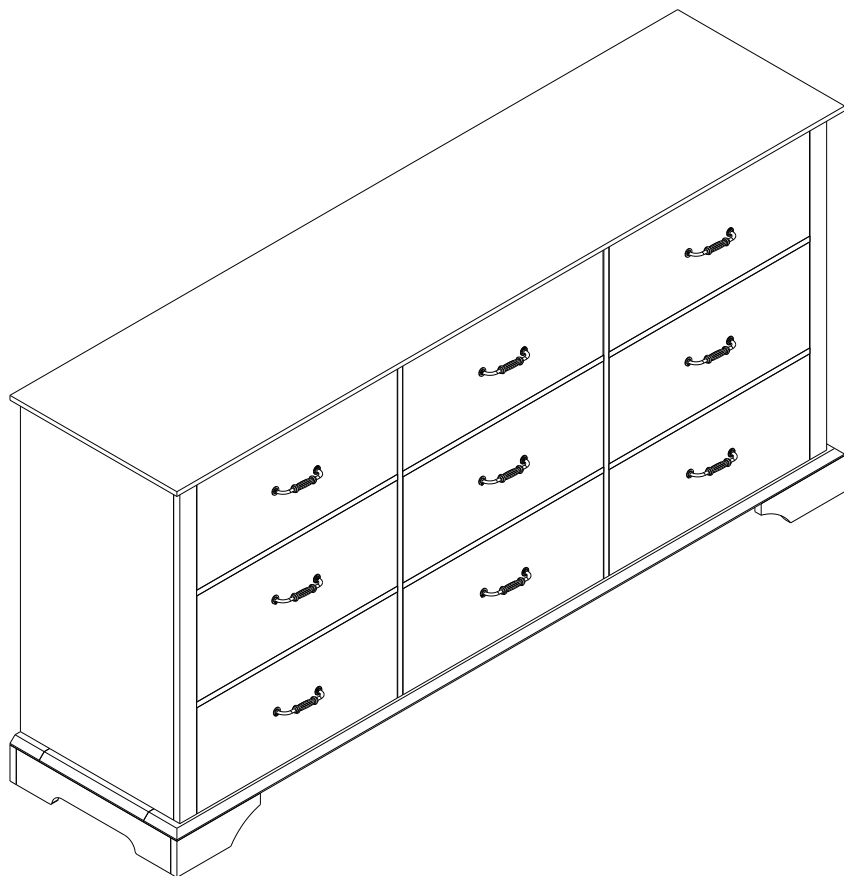
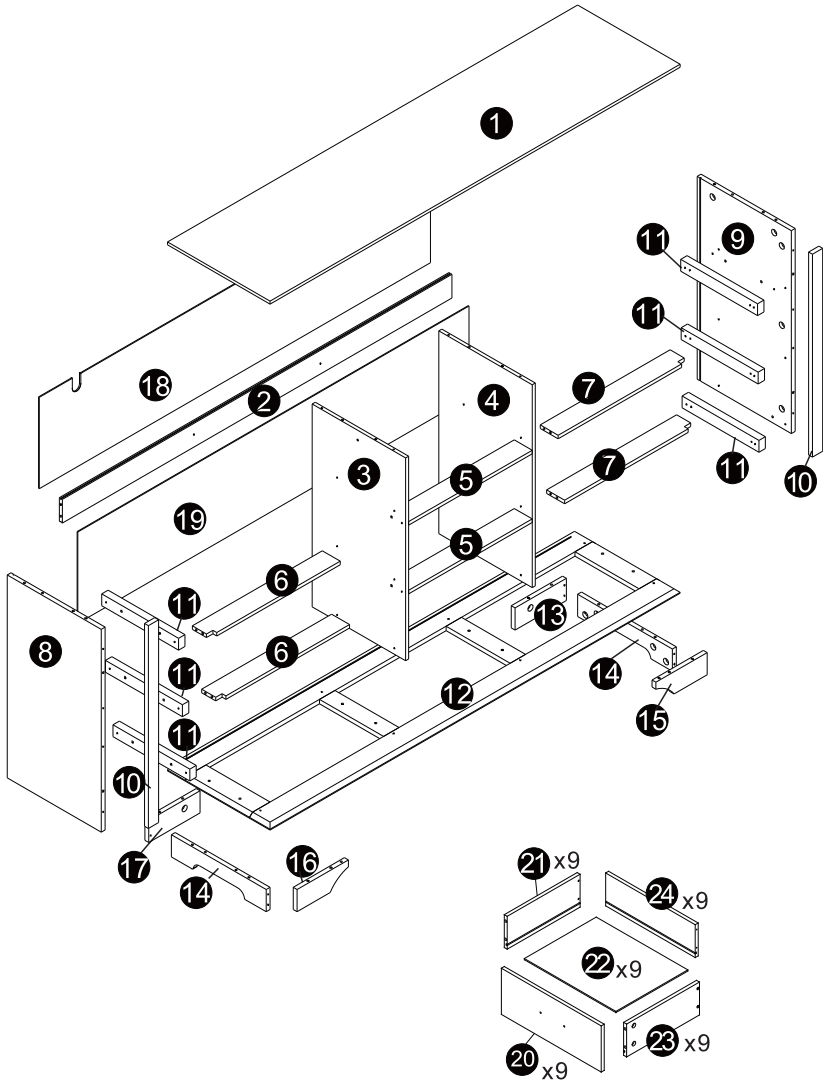


ASSEMBLY INSTRUCTION



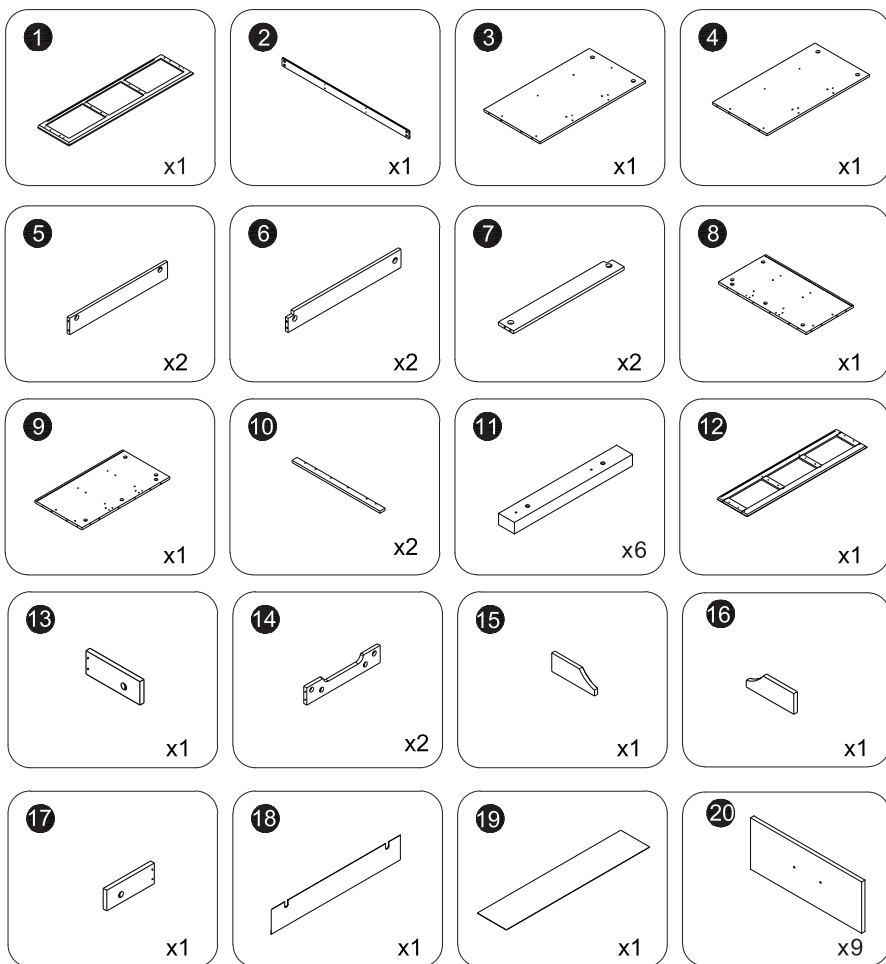
Packaging Details

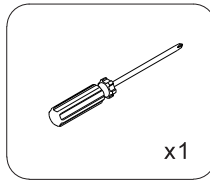
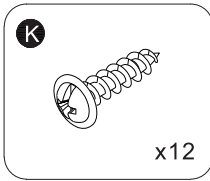
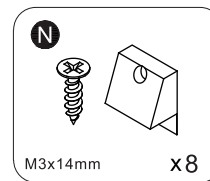
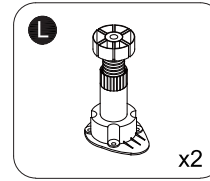
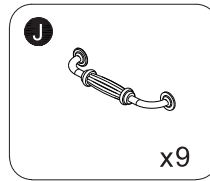
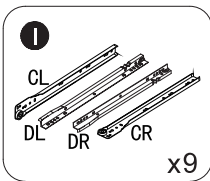
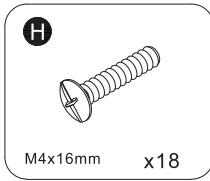
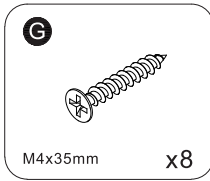
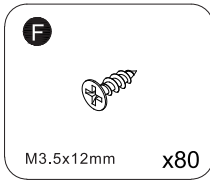
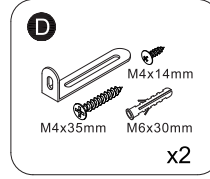
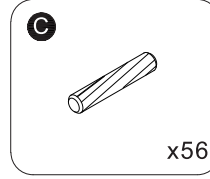
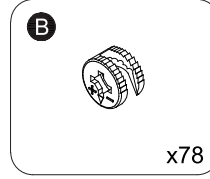
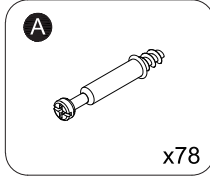
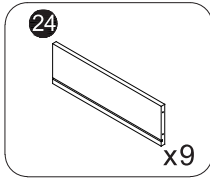
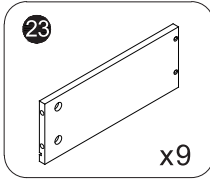
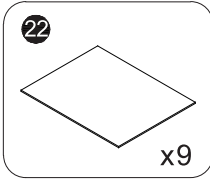
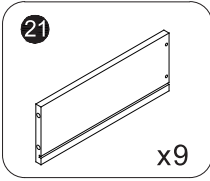


Please check all parts and accessories according to the parts list before assembling, make sure all contents are sufficient and in good condition.

If there is any parts missing or defective, please contact us immediately with purchase platform message to get replacement parts.

PARTS:



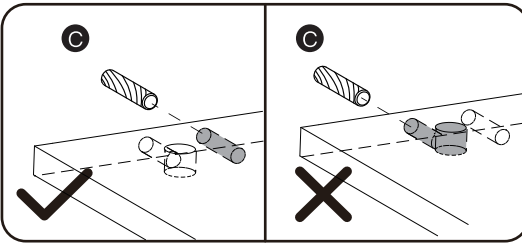


HOW TO INSTALL

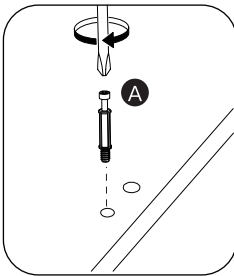
NOTICE:

1. Use electric drill for easier installation experience.
2. Please drive the screws in pre-drilled holes.
3. Please strictly follow the instruction and diagram in every step.
4. Make sure every part is on the right position, otherwise it may cause unnecessary problem.
5. Select the proper component via the label on every part while assembling.

REMARK:



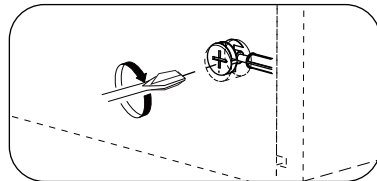
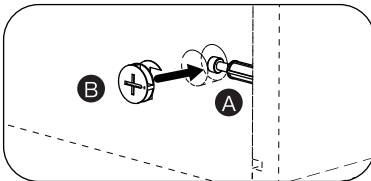
Avoid inserting part C into wrong holes.



Part A must be installed into the holes with rubber nuts which are smaller than others.

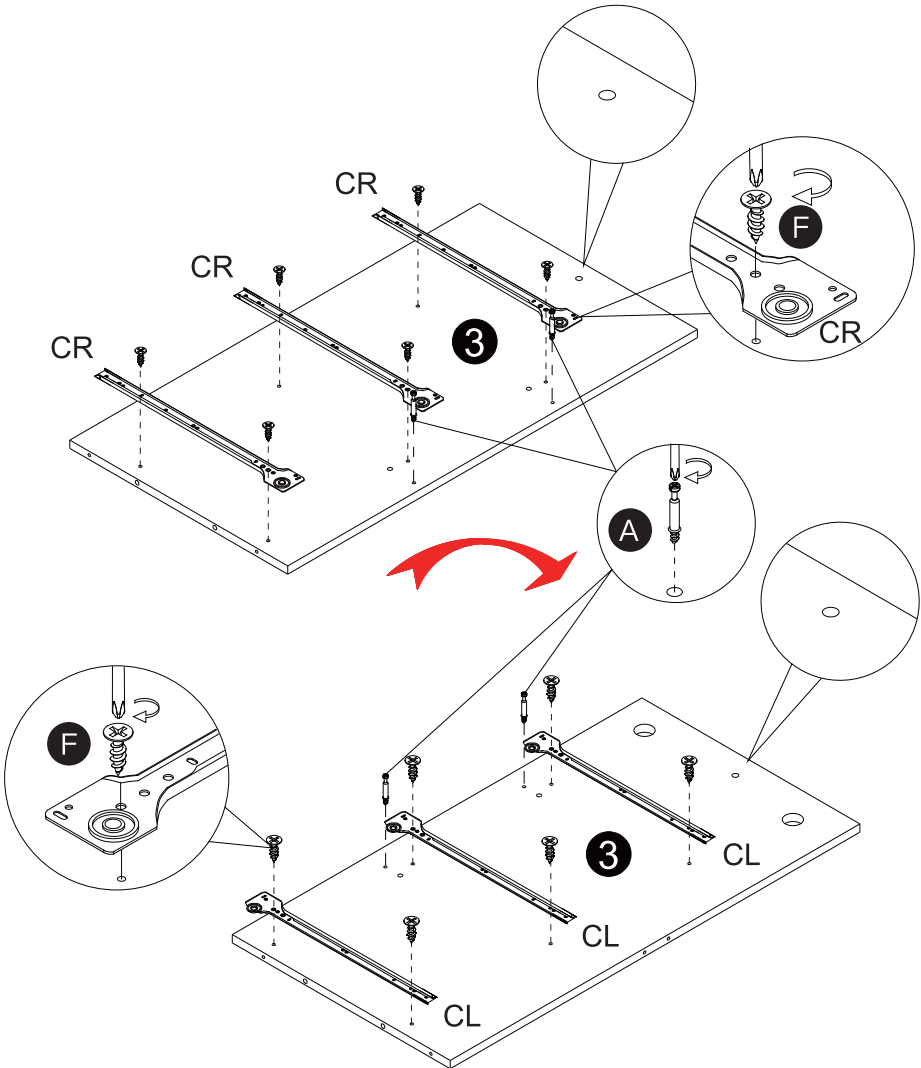
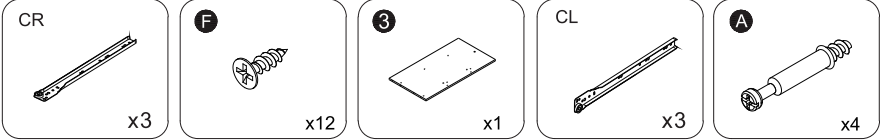
Please ensure that part A is facing the direction of the gap of part B .

When locking part B, please make sure part A is fully inserted.



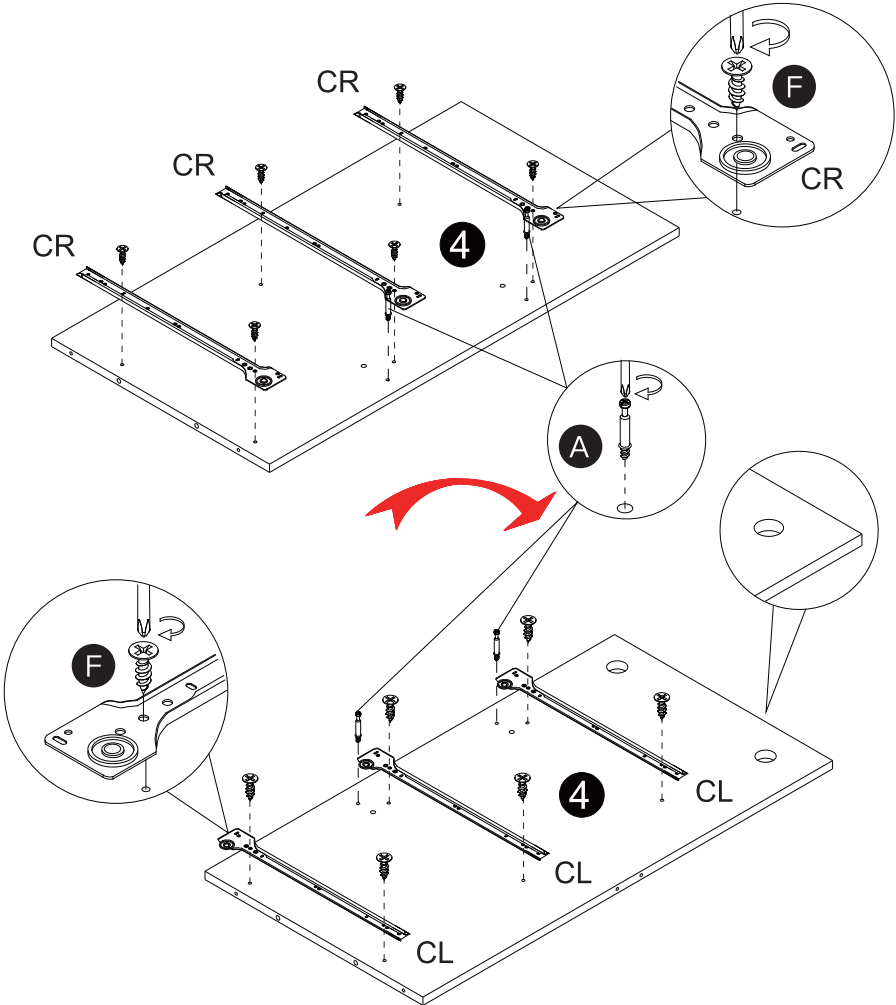
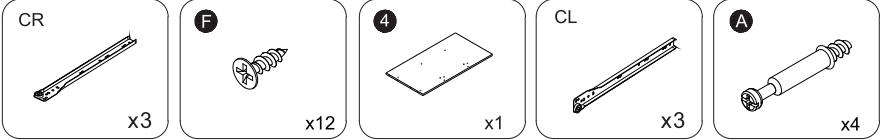
Step 1

Install part CR & CL on the front and back of part 3, use part F to screw them. Install part A on part 3.



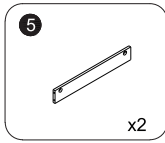
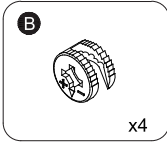
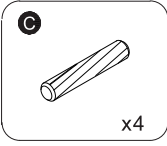
Step 2

Install part CR & CL on the front and back of part 4, use part F to screw them. Install part A on part 4.



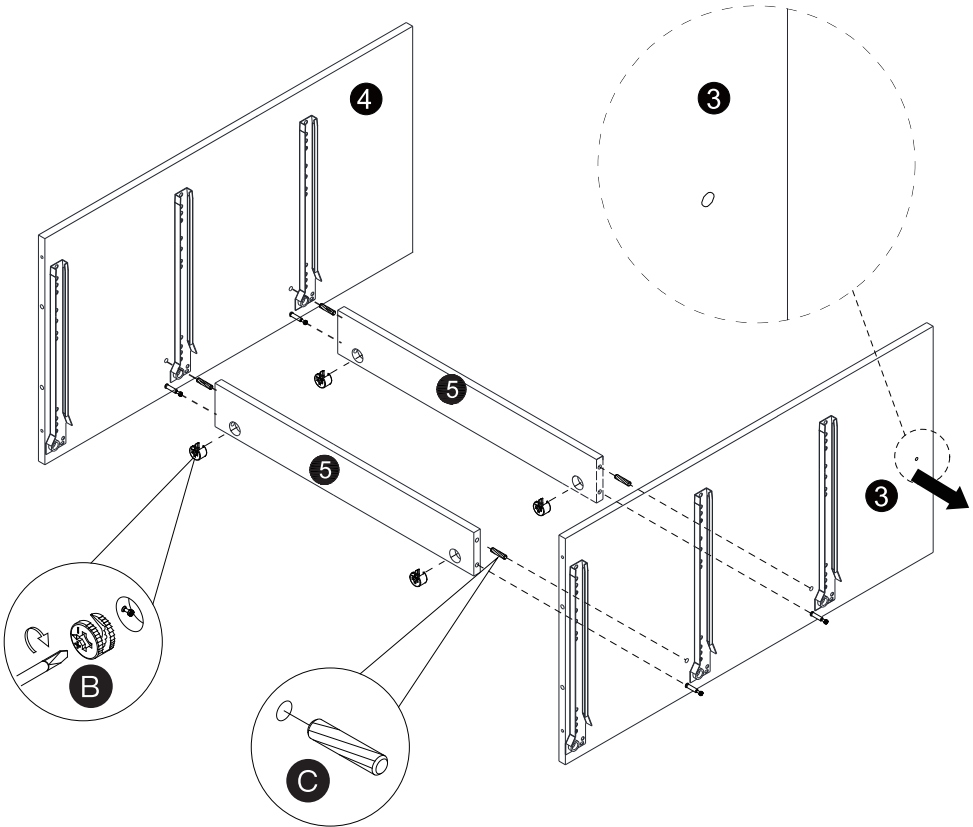
Step 3

Connect part ③ & ④ with part ⑤, use part ② & ③ to screw them.

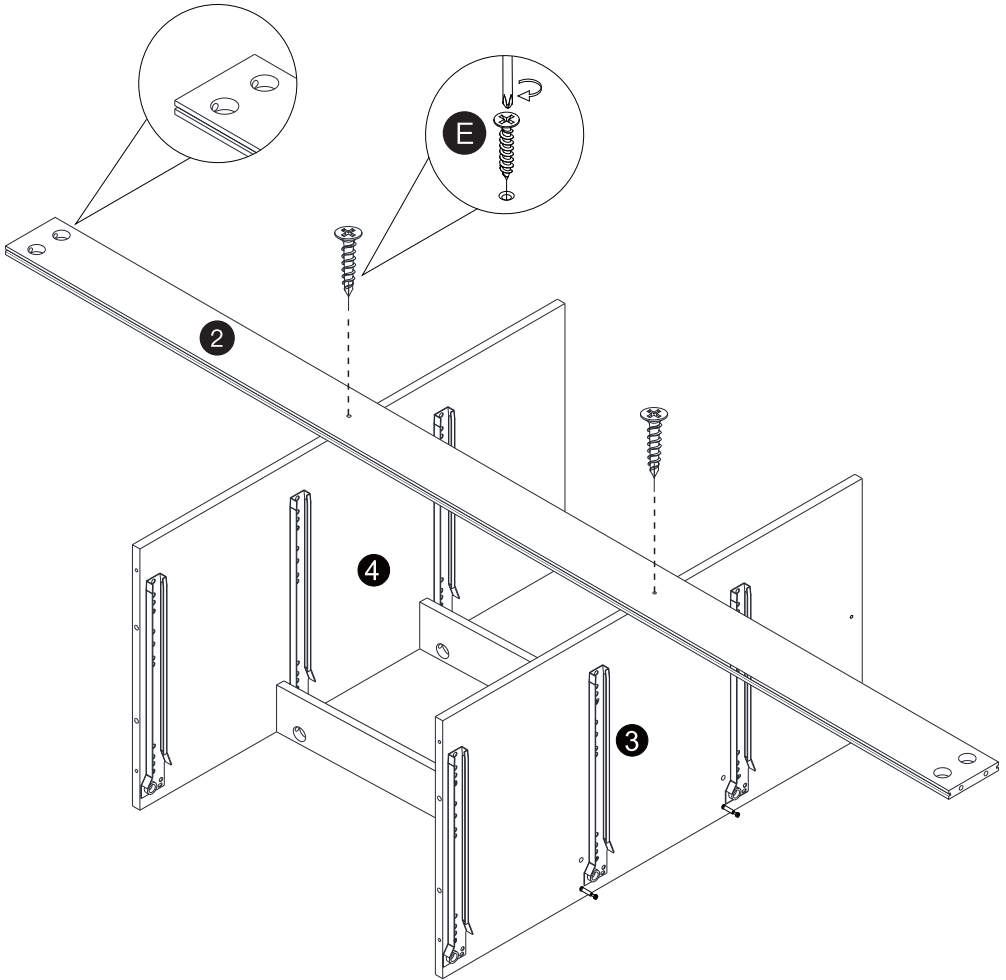
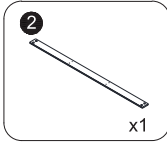
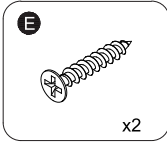


NOTICE:

Please ensure that part ③ is placed in the correct position before installation.

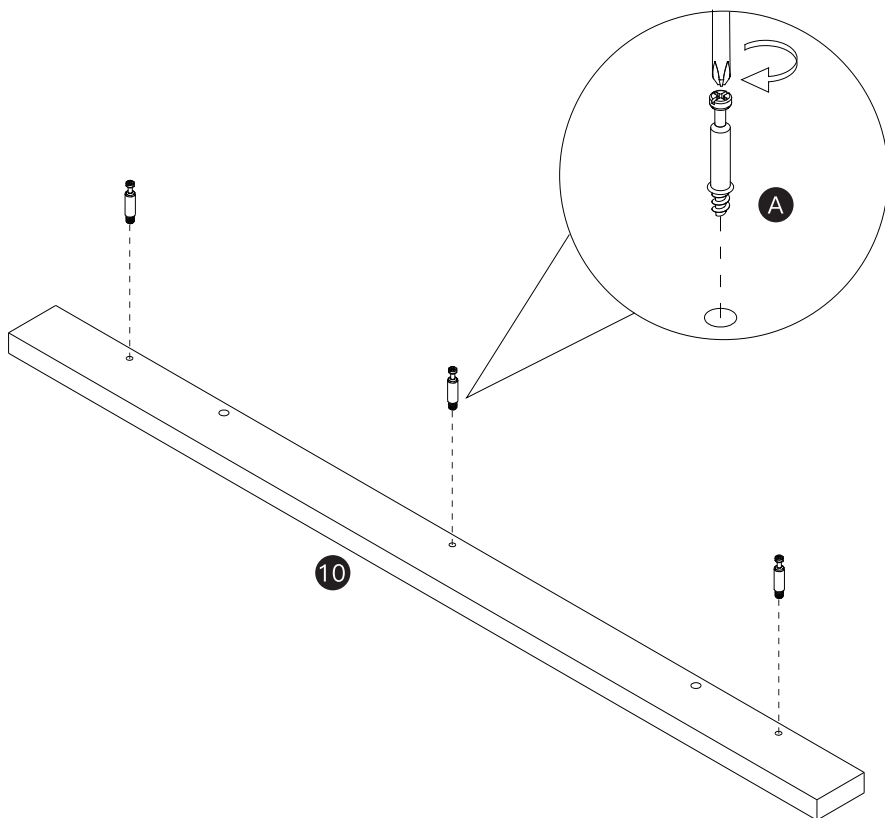
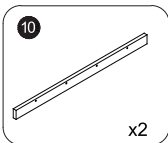
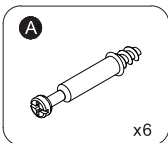


Step 4 Install part **2** on part **3** & **4**, use part **E** to screw them.



Step 5

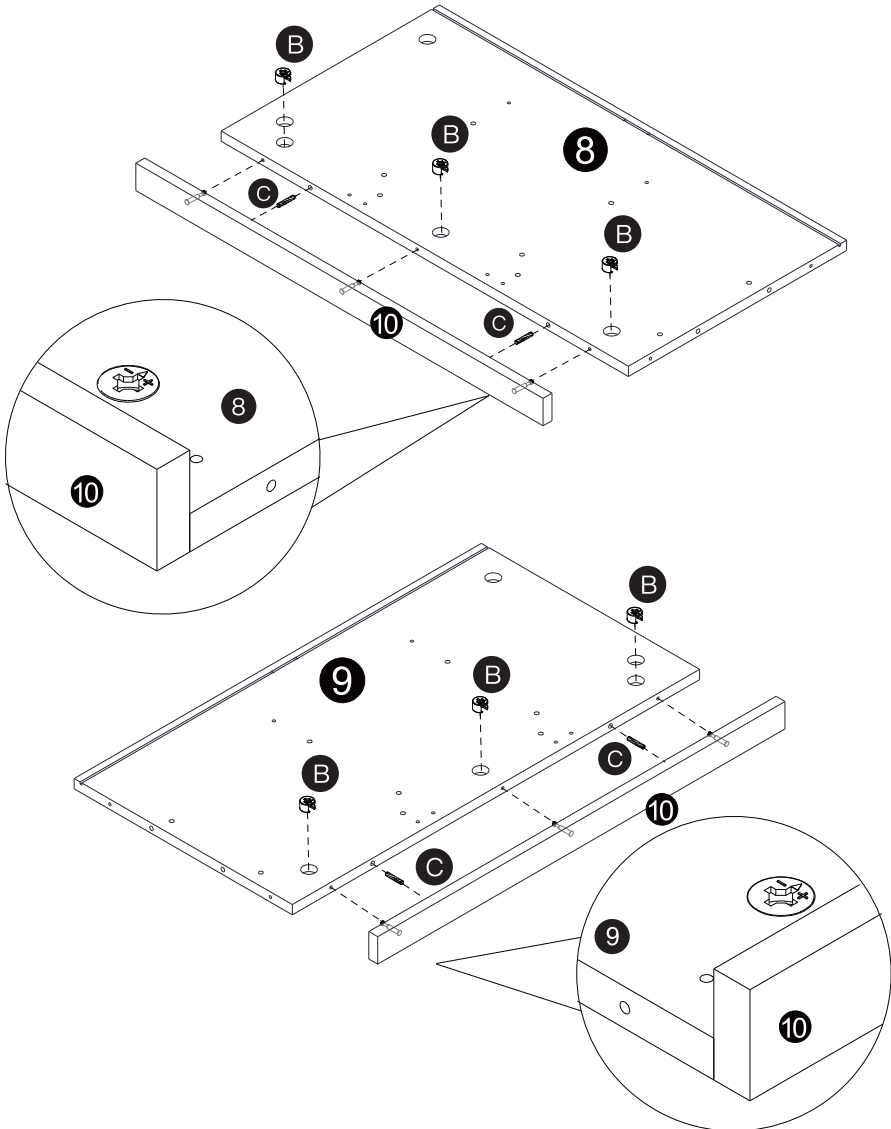
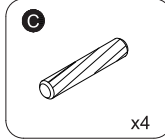
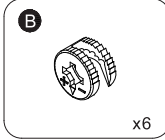
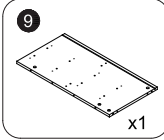
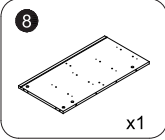
Install part **A** on part **10**.



x2

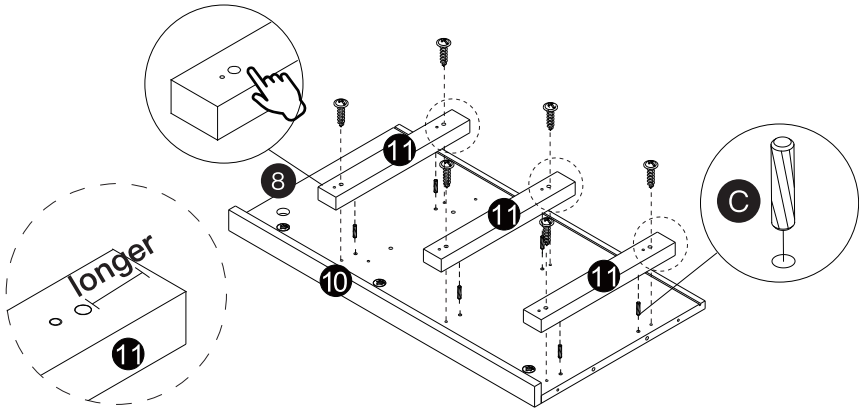
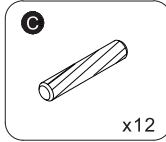
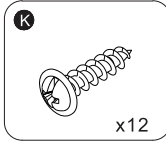
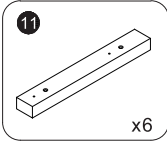
Step 6

Install part **10** on part **8** & **9**, use part **B** & **C** to screw them.



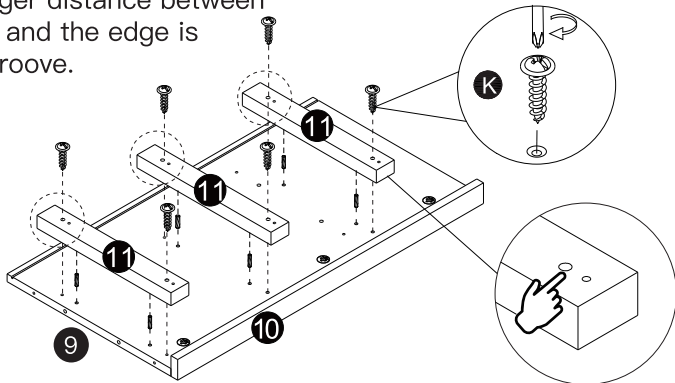
Step 7

Install part 11 on part 8 & 9, use part C & K to screw them.



NOTICE:

Please ensure that the side of part 11 with a longer distance between the large hole and the edge is close to the groove.

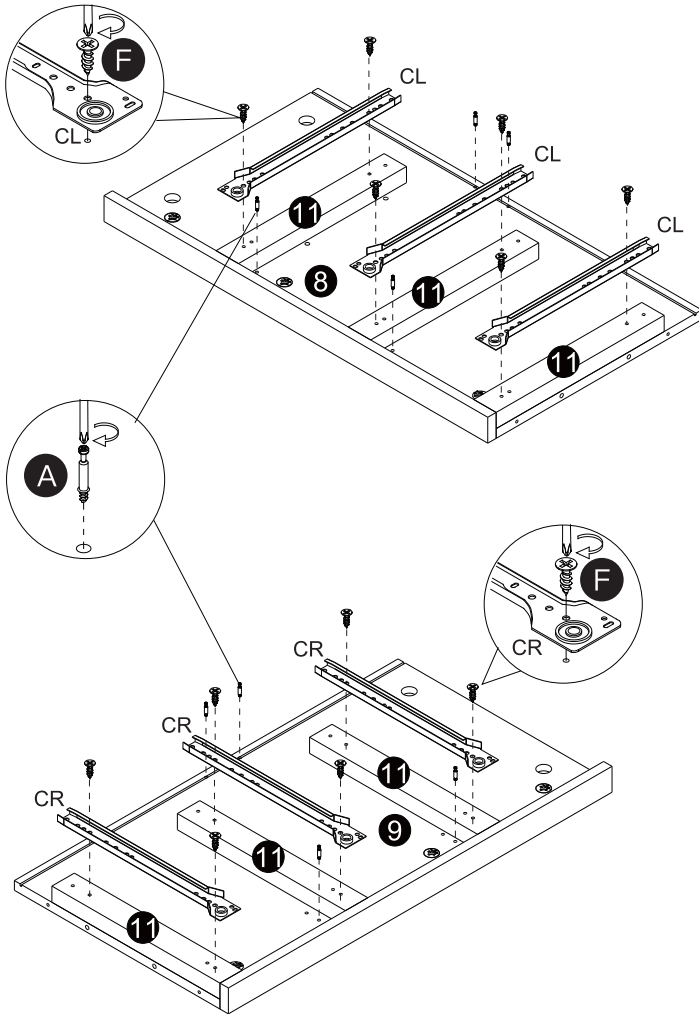
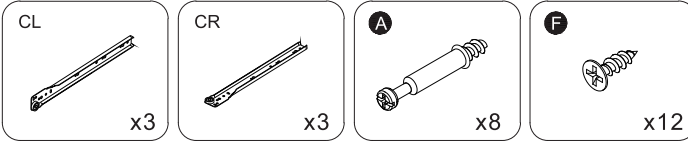


Notice:

The smaller hole of part 11 is facing towards part 10.

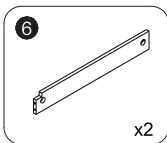
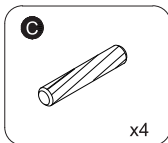
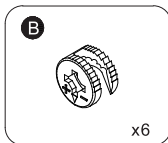
Step 8

Install part CL on part 11 of part 8, install part CR on part 11 of part 9, use part F to screw them. Install part A on part 8 & 9.



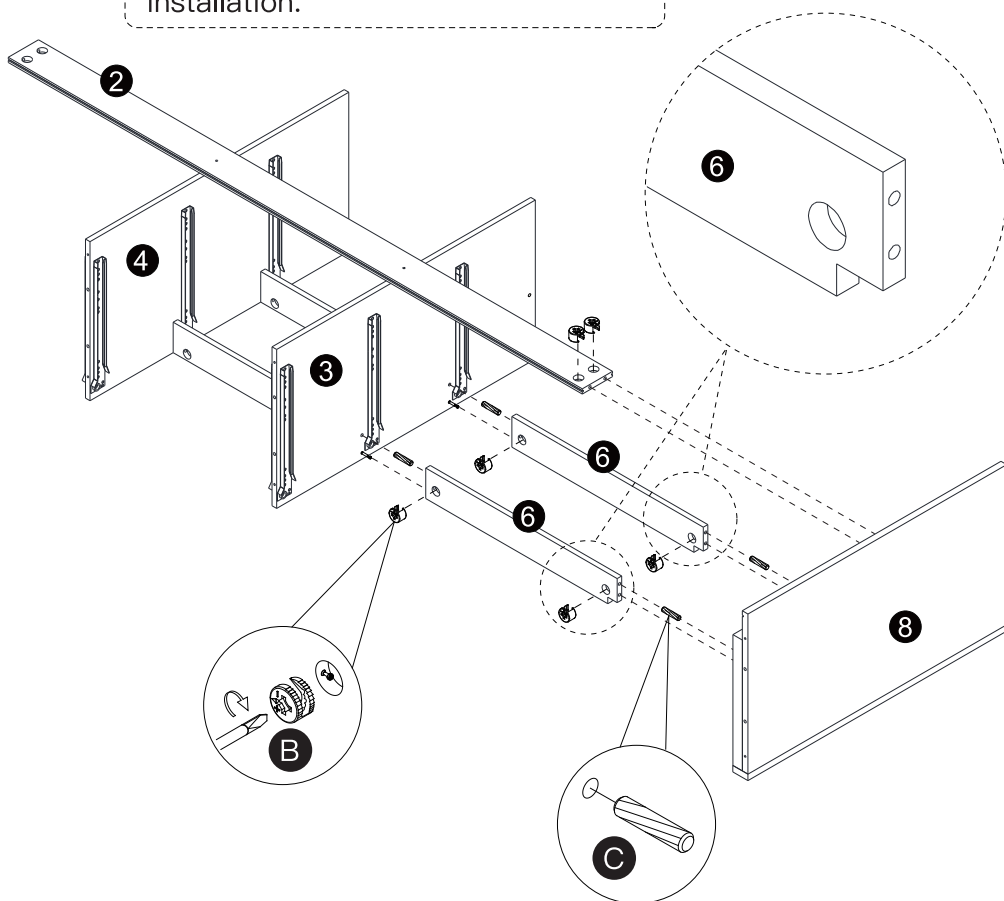
Step 9

Install part **8** on part **2**, connect part **3** & **8** with part **6**, use part **B** & **C** to screw them.

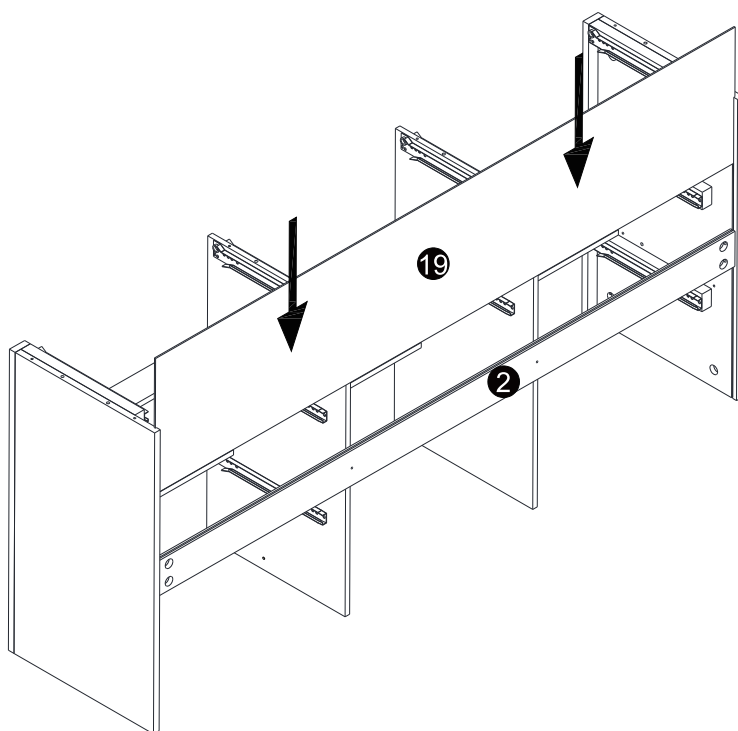
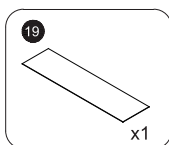


NOTICE:

Please ensure that part **6** are placed in the correct position before installation.

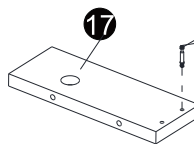
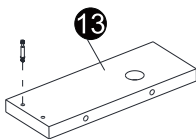
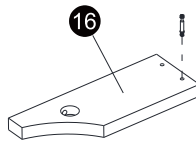
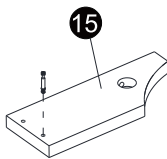
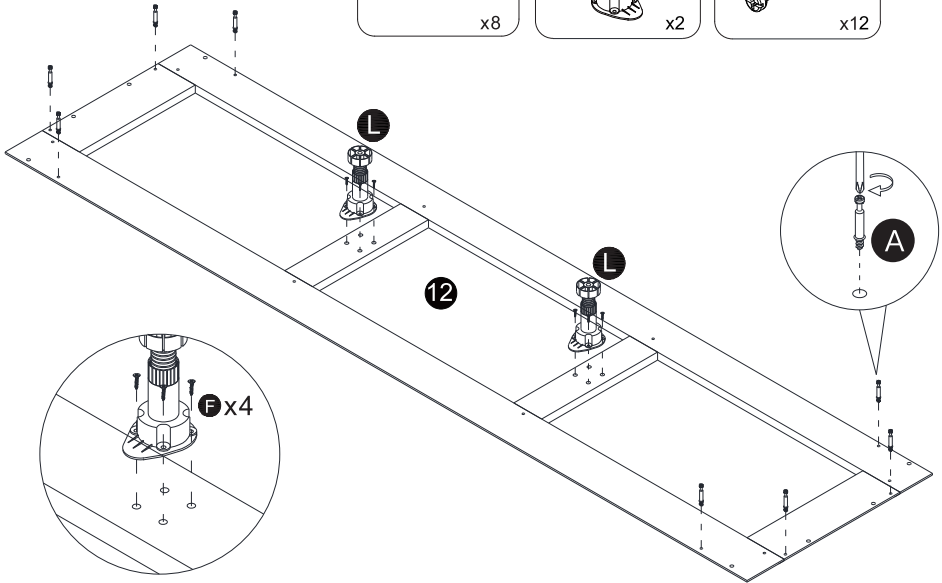
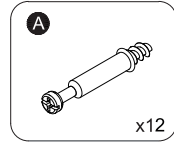
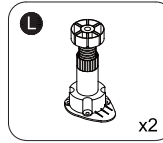
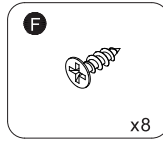
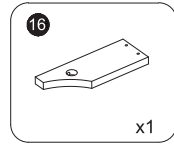
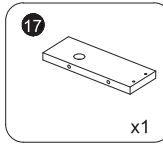
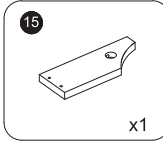
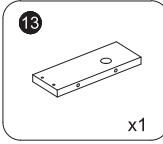
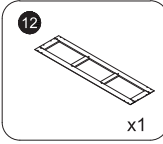


Step 11 Insert part **19** into part **2**.

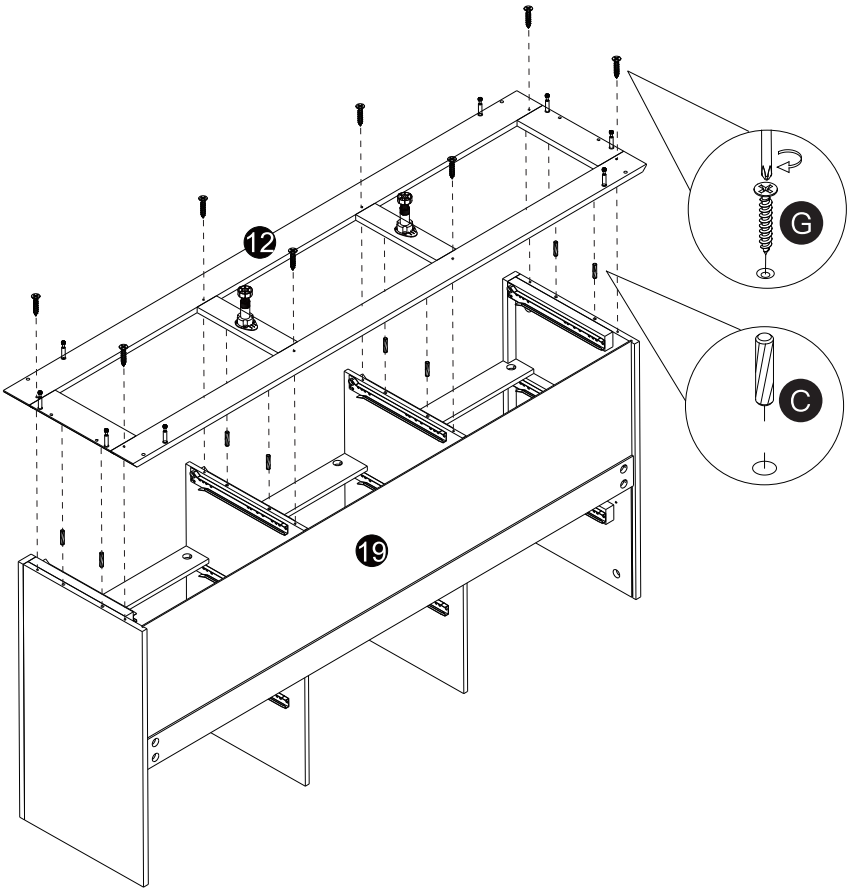
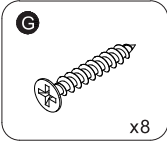
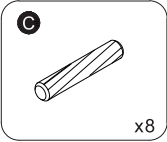


Step 12

Install part **L** on part **12**, use part **F** to screw them.
Install part **A** on part **12** & **13** & **15** & **16** & **17**.

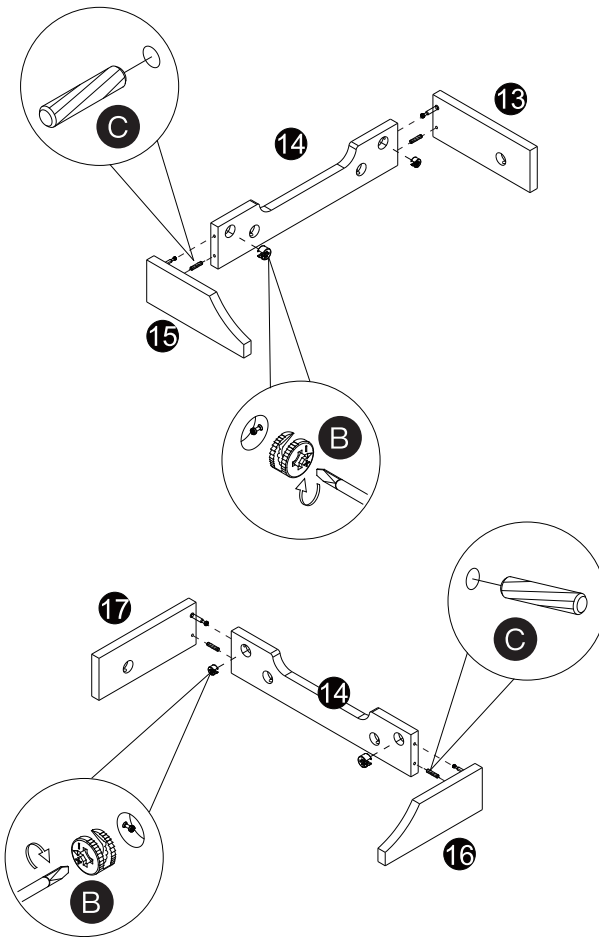
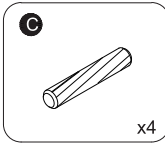
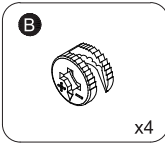
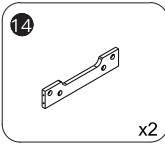


Step 13 Install part **12** on the bottom, use part **C** & **G** to screw them.

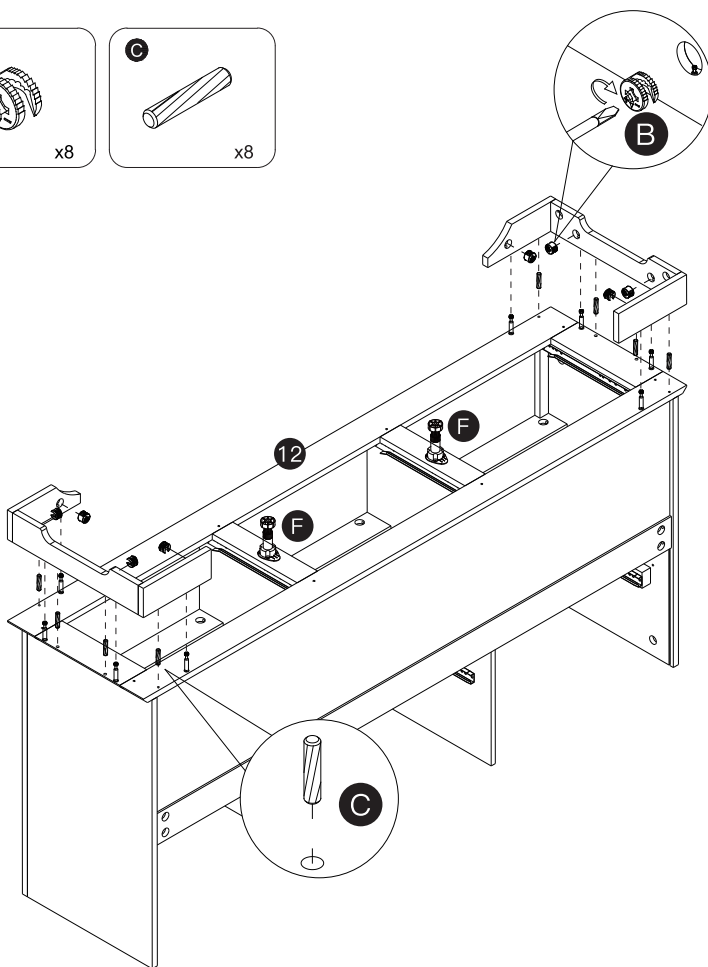
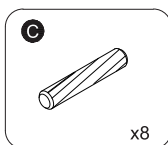
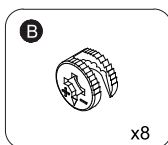


Step 14

Connect part **13** & **15** with part **14**, connect part **16** & **17** with part **14**, use part **B** & **C** to screw them.

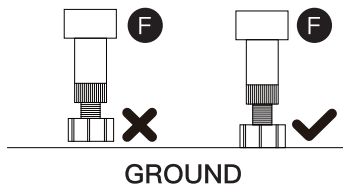


Step 15 Install last step's part on part 12, use part B & C to screw them.



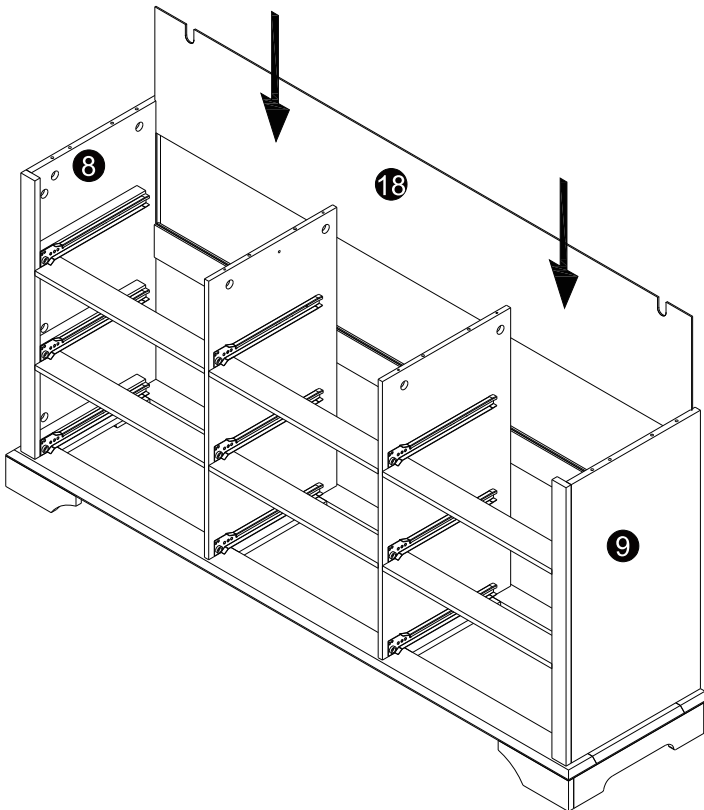
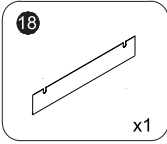
Notice:

After this step, stand up the product, adjust the support legs (part F) to make the product stable on the floor.

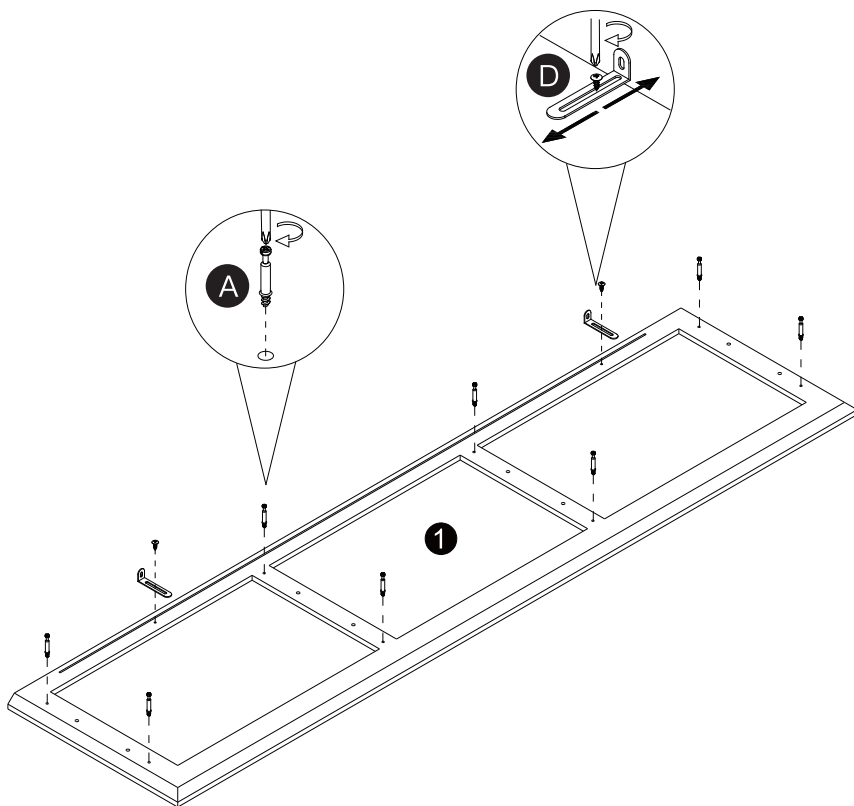
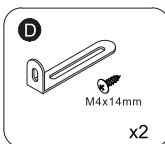
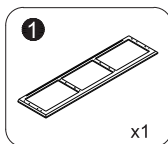
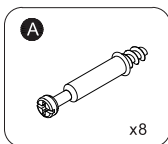


Step 16

Insert part 18 into part 8 & 9.

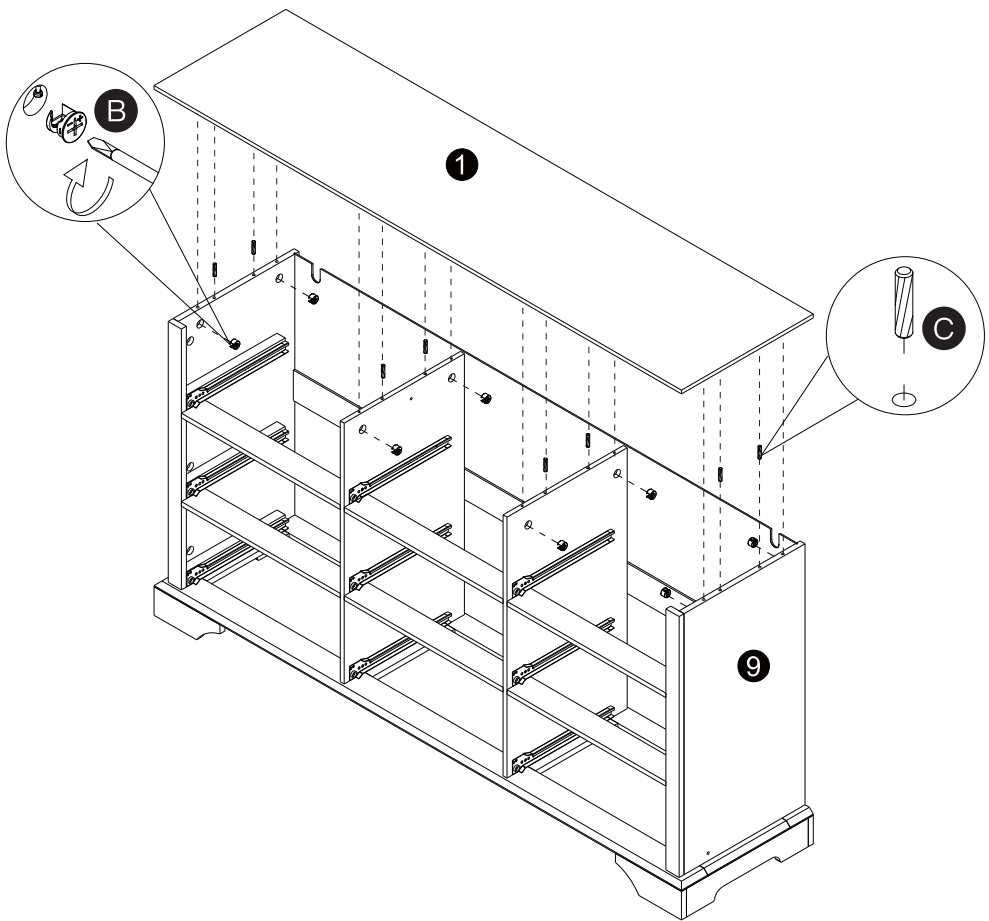
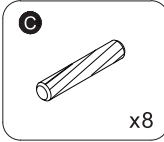
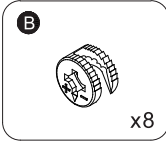


Step 17 Install part **A** & **D** on part **1**.



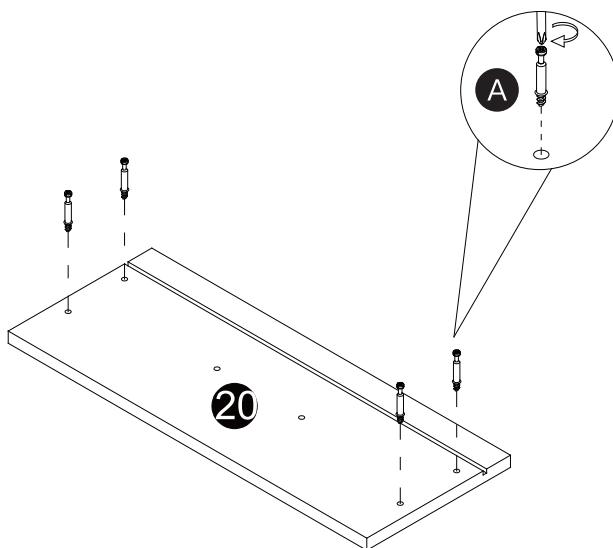
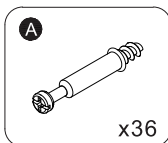
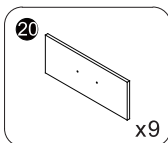
Step 18

Install part **1** on the top of the frame with part **C**, use part **B** to screw them.



Step 19

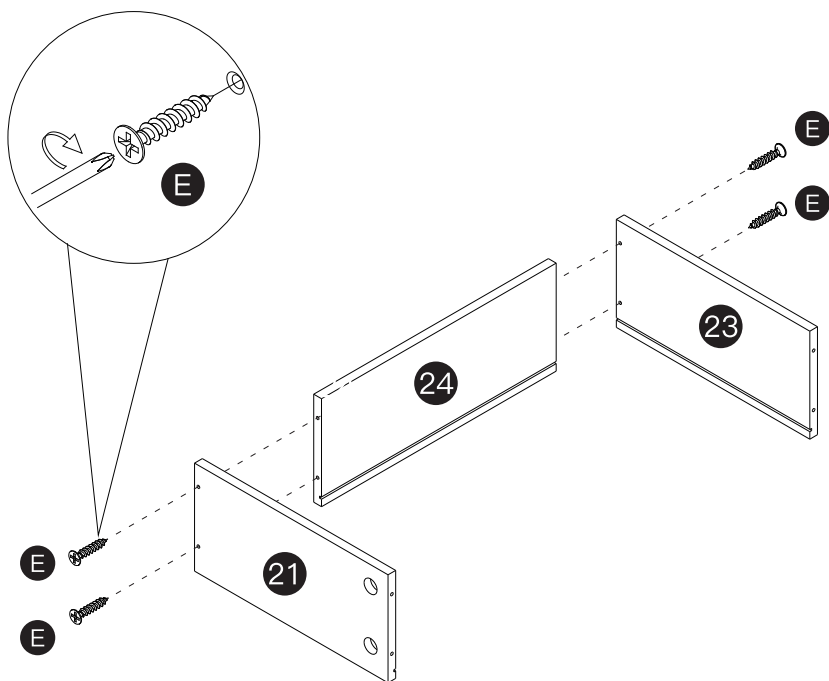
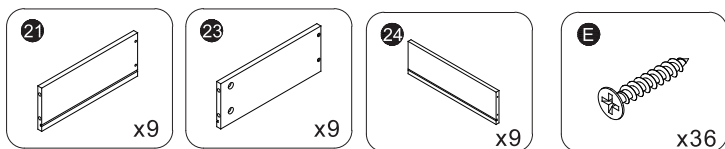
Install part **A** on part **20**.



x9

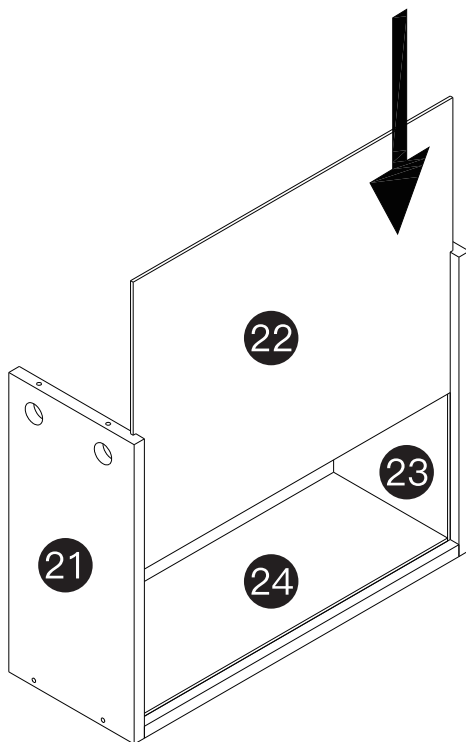
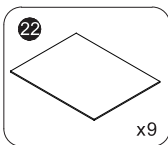
Step 20

Connect part 21 & 23 with part 24, use part E to screw them.



x9

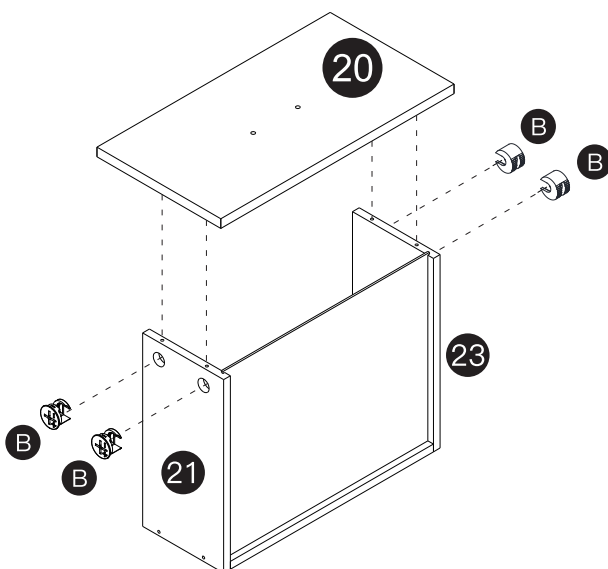
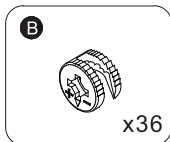
Step 21 Insert part 22 into part 21 & 23.



x9

Step 22

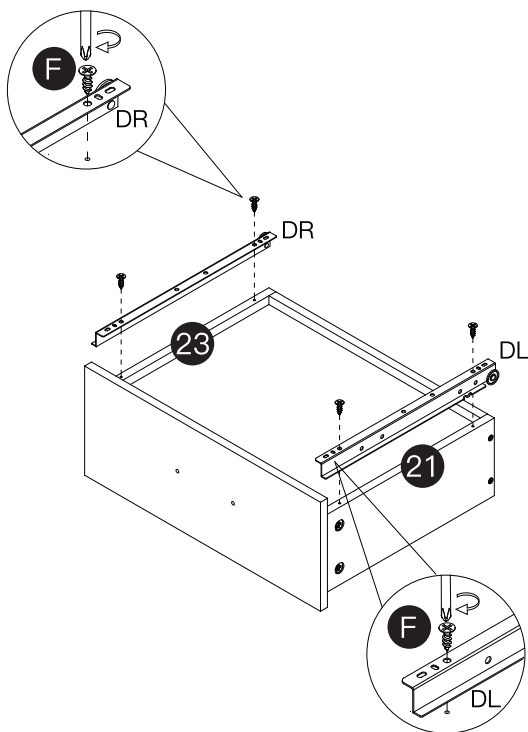
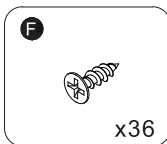
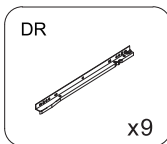
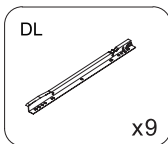
Install part 20 on part 21 & 23, use part B to screw them.



x9

Step 23

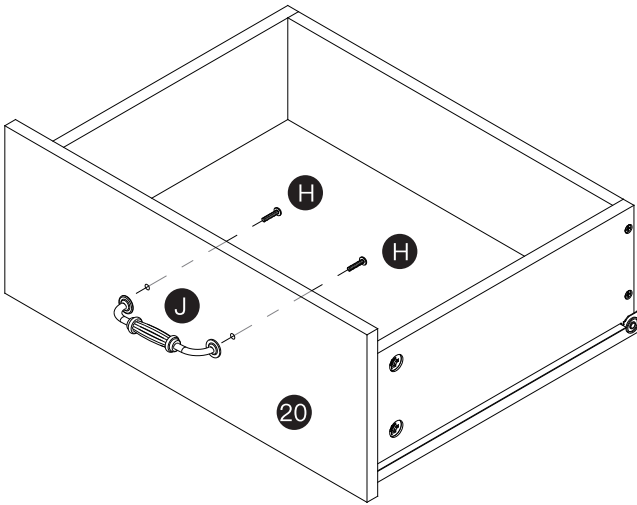
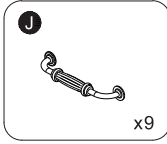
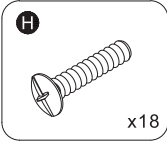
Install part DL & DR on part 21 & 23, use part F to screw them.



x9

Step 24

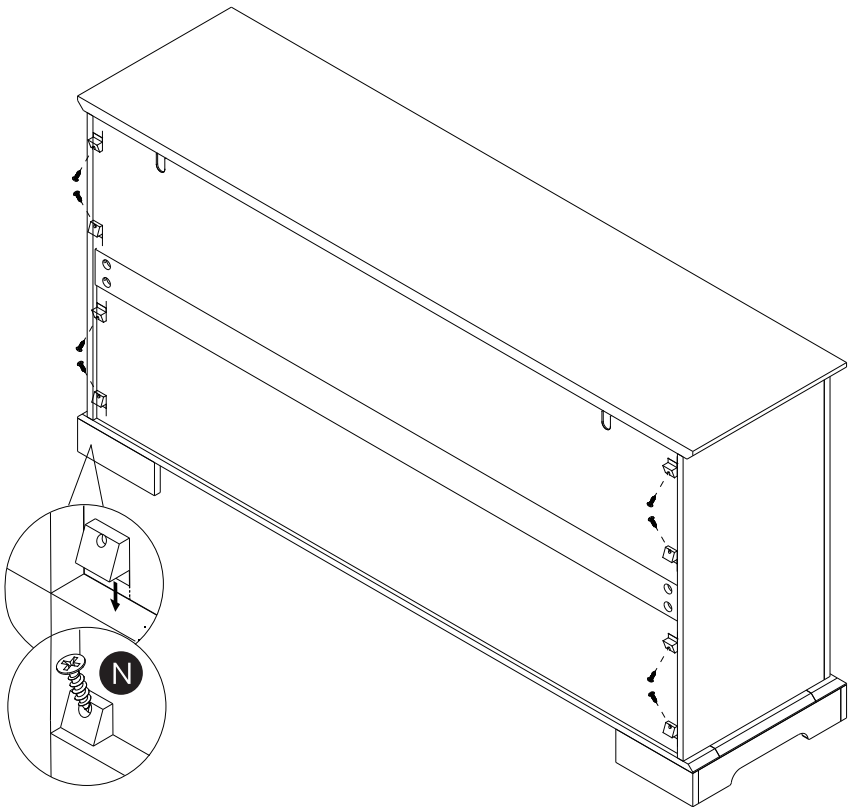
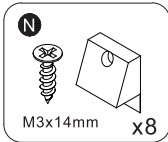
Install part **J** with part **H** on part **20**.



x9

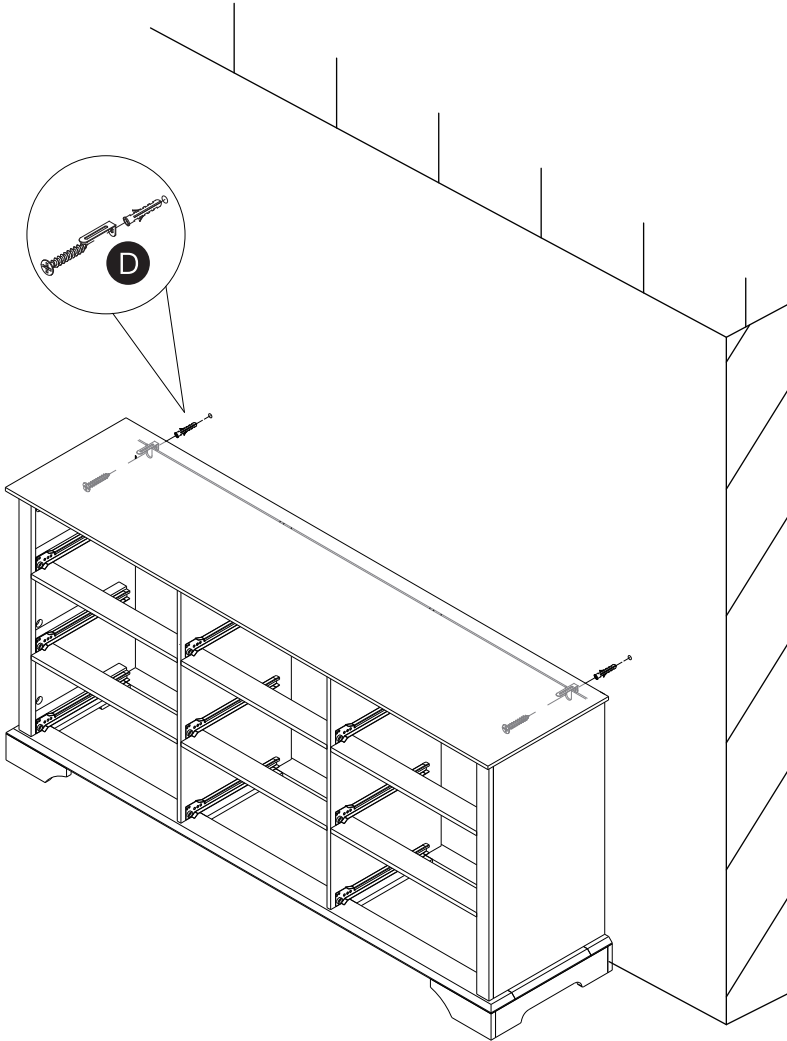
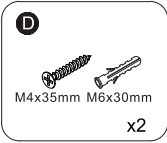
Step 25

Insert part **N** along the grooves of backboard, and screw them for better stability.



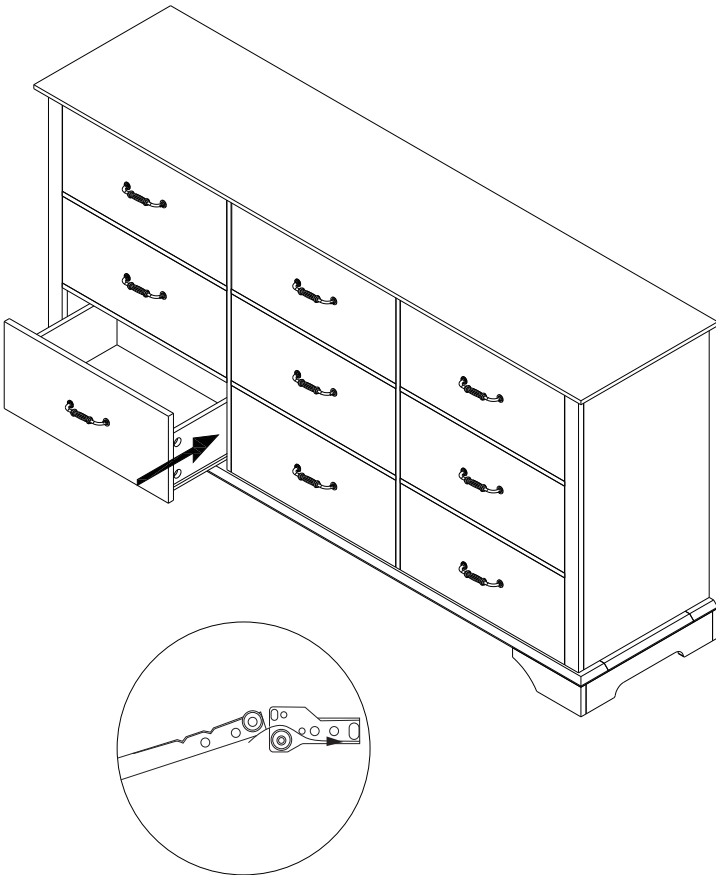
Step 26

(Optional) Drill two holes on a solid wall, then insert part **D**.
Lock them tight to fix them with the wall.



Step 27

Align and put all drawers in.



After-sales Service

Dear customer,

We're excited that you've chosen our product to be a part of your home. We care deeply about your experience and want to make sure you have all the help you need.

If you have any questions while assembling your new product, don't hesitate to contact our dedicated customer support team through the original purchase platform.

Creating your ideal space is important, and we're committed to helping you every step of the way.

Thank you for choosing us, where comfort and style meet practicality.

Sincerely,
Customer Service Manager