





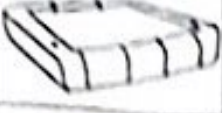






ASSEMBLY INSTRUCTIONS

Ax1 	Cx1 	D2x1 	Fx2  front leg with adjustable screws	Hx4 	Jx16  M6*20mm
Bx1 	D1x1 	Ex2  back leg with adjustable screws	Gx4  M6*50mm	Ix4 	Kx1 