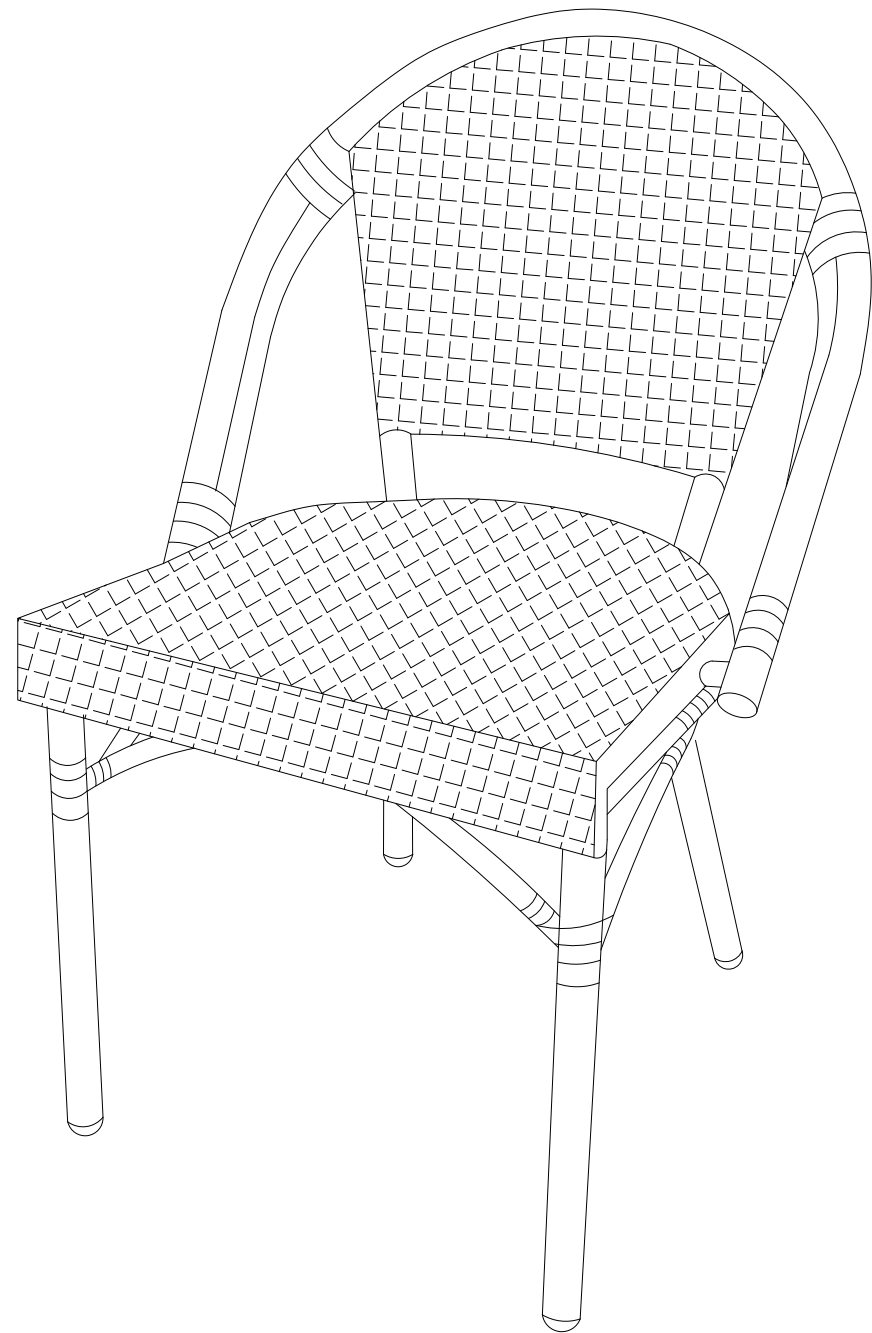


ASSEMBLY INSTRUCTION

Outdoor Dining Chair

SKU:25021DC



THANK YOU FOR PURCHASING

Component List

LABEL		DESCRIPTION	QTY
A		Seat	1
B		Tripod	1

Hardware List

LABEL		DESCRIPTION	QTY
C	 M6*40	Bolt	4
D	 M6	Washer	4
D	 M6	Hex wrench	1

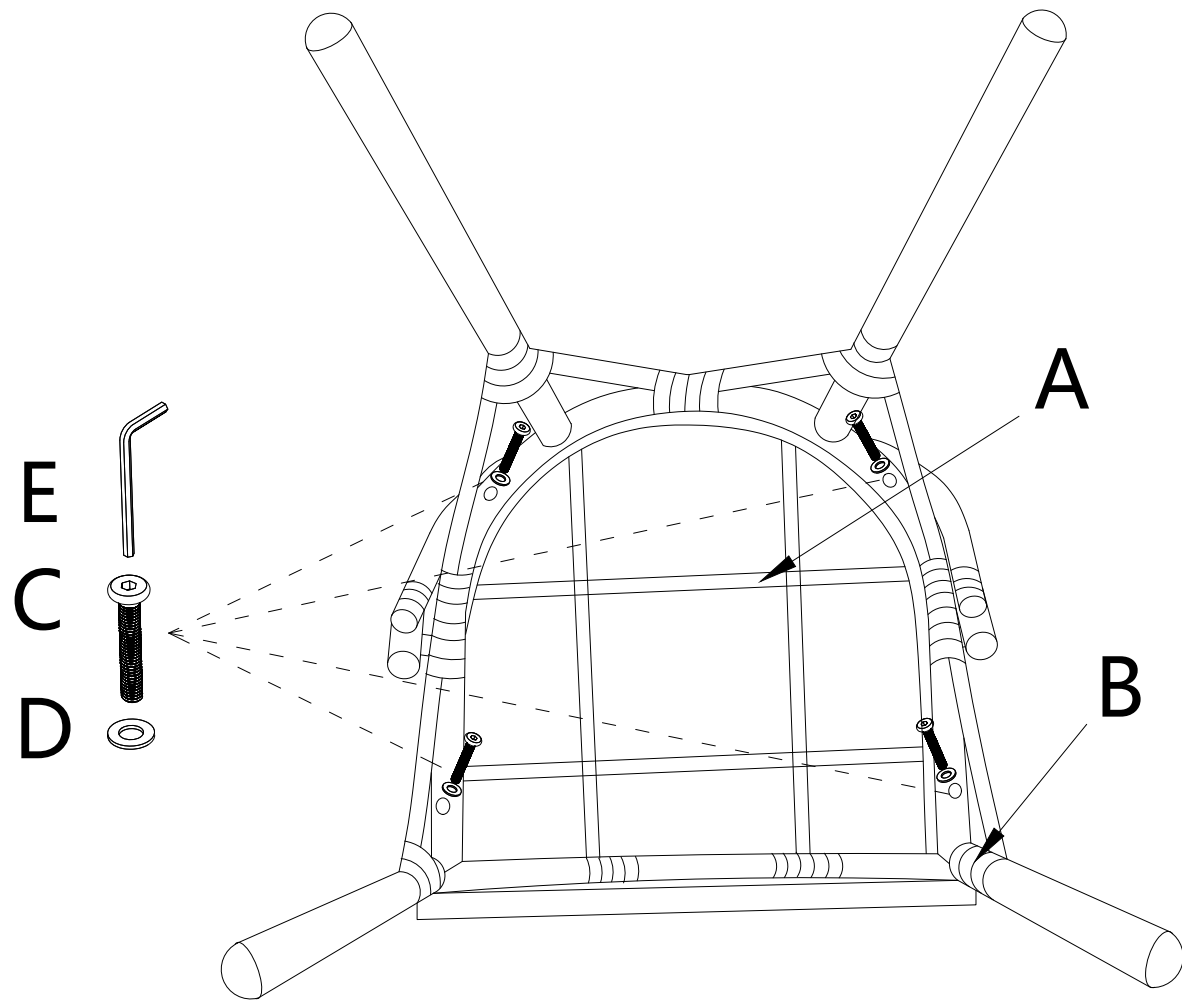
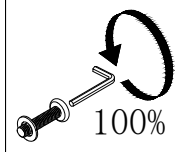
ATTENTION:
DO NOT tighten screws completely until assembly is completed;

1

CxP4CS
M6*30(MM)



Dx4PCS
M6



2

Cx4CS
M6*30(MM)



Dx4PCS
M6(MM)

