

Assembly Instruction

(BOX 1)
HEADBOARD, FOOTBOARD

NO	ITEM	QTY
A	HEADBOARD	1 PC
B	FOOTBOARD	1 PC
C	UPPER SLAT 1397mm	13 PCS
D	TRUNDLE SLAT 997mm	6 PCS+ 6 PCS+ 1 PC
E	TRUNDLE SIDE PANEL	2 PCS

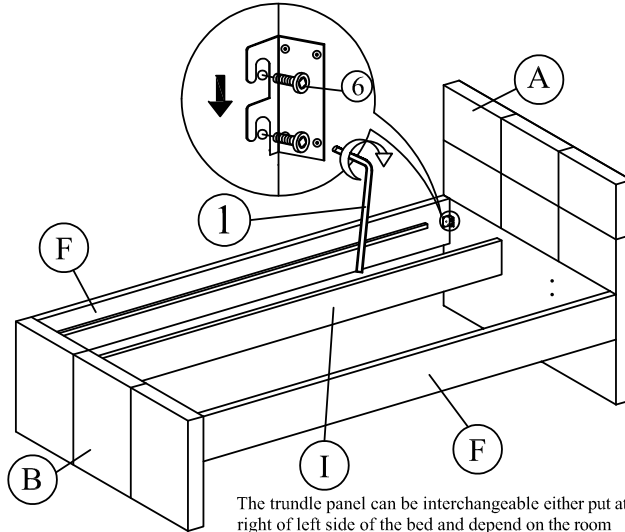
(BOX 2)
UPPER SIDE RAIL, TRUNDLE SIDE RAIL

NO	ITEM	QTY
F	UPPER SIDE RAIL	2 PCS
G	TRUNDLE FRONT (PU)	1 PC
H	TRUNDLE BACK	1 PC
I	MIDDLE PANEL	1 PC

(BOX 2)
HARDWARE LIST

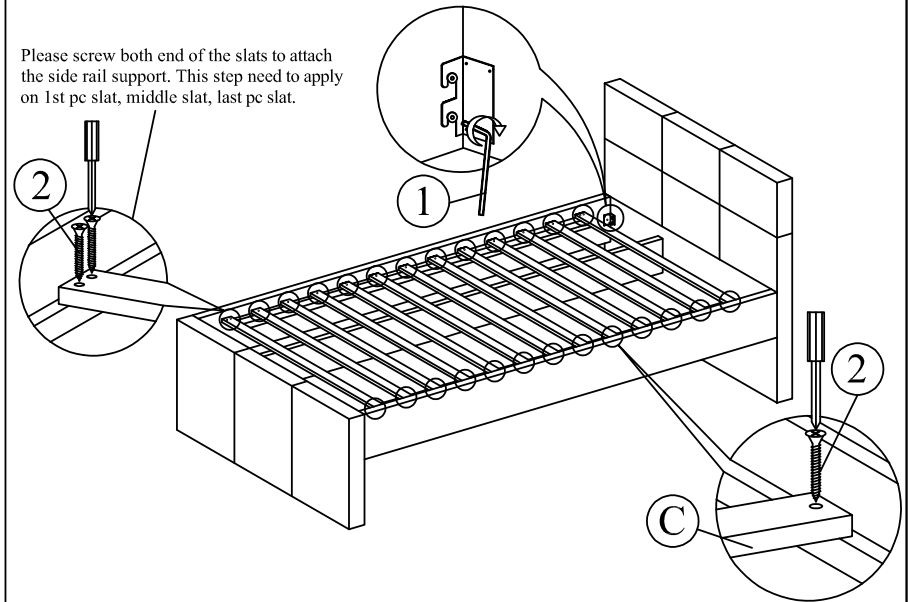
NO	ITEM	QTY
1	M5 x 70 mm	1 PC
2	FLAT HEAD CHIPBOARD SCREW M4 x 32MM	64 PCS
3	FLAT HEAD CHIPBOARD SCREW M4 x 16MM	24 PCS
4	TRUNDLE ROLLER	6 PCS
5	WOODEN BLOCK	4 PCS
6	JCBB M8 x 20MM	20 PCS

Step 1: Attach side rail (F) to headboard (A) and footboard (B) by pushing the bracket down to fit it.

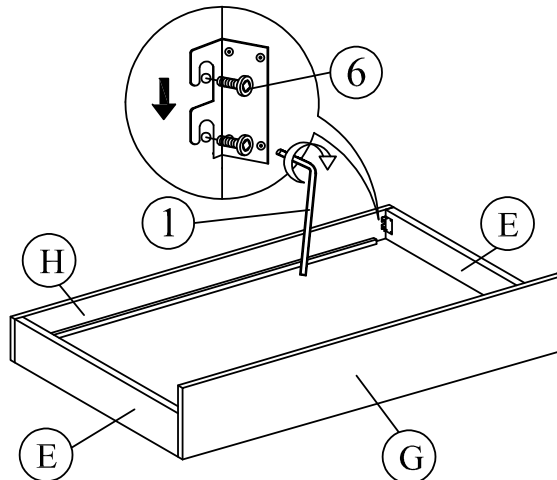


The trundle panel can be interchangeable either put at right of left side of the bed and depend on the room design, differential at the holes of headboard to attached with middle panel (I). If want to put at left side of the bed, then the middle panel (I) will have to attached at the second holes (from front view) of the headboard (A) ; If want to put at right side of the bed, then the middle panel (I) will have to attached at the first holes (from front view) of the headboard (A).

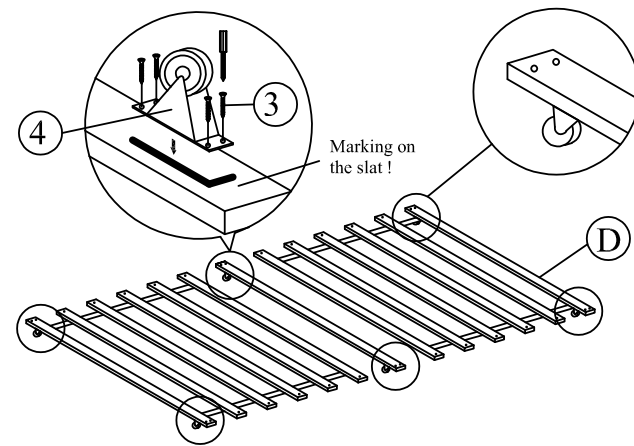
Step 2: Tighten the 4 Corner with Allen Key (1). Install the slats to side rail. Tighten the slats with CSK screw (2). The distance of the slats should be sufficient to obtain desirable bed stability.



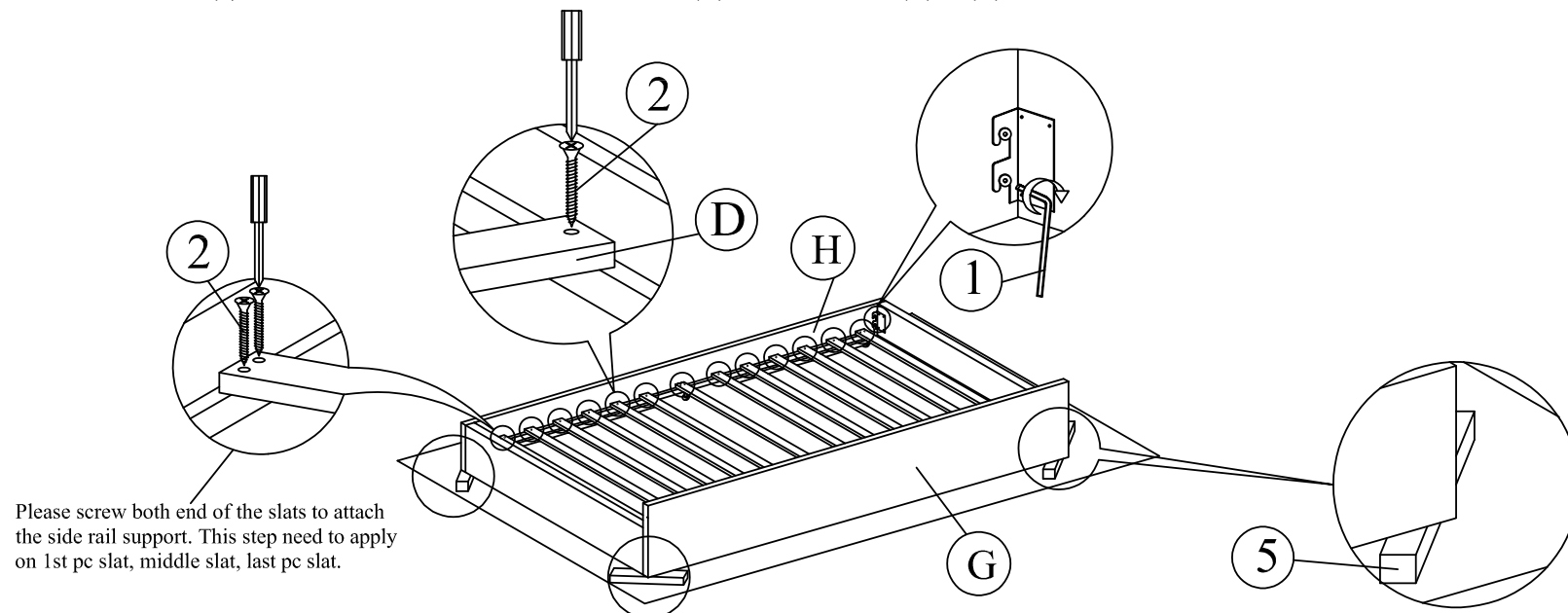
Step 3: Attach trundle side panel (E) and trundle front panel (G) to trundle back panel (H) by pushing the bracket down to fit it.



Step 4: Affix the roller (4) to the slat (D) follow the marking on the slat (D)



Step 5: Place the wooden blocks (5) at the corner of the trundle and fix the slat (D) to the trundle at (G) & (H) .



Step 6: Assembly is complete

