

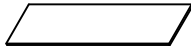


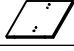

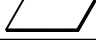
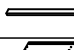

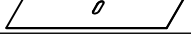




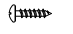
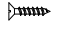

CARE AND MAINTENANCE

Spot clean using a mild water-free solvent. Only a professional cleaner should undertake a complete overall cleaning.
The use of steam or water-based cleaners may cause excessive shrinking or staining.

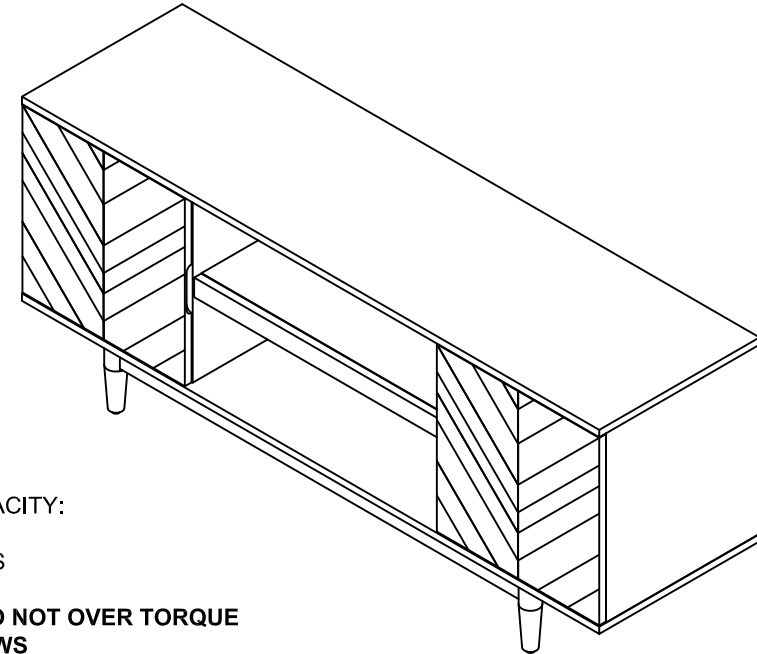
NOTICE

- * Please make sure that you have all parts indicated before you begin assembly of this item.
- * This item should be assembled on a soft surface to prevent scratching the finish during assembly.
- * This item may require periodic tightening.

Part List and Hardware List



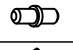




PIECE	DESCRIPTION	PICTURE	QUANTITY
A	TOP PANEL		1X
B	SIDE PANEL		2X
C	LEFT DIVIDER		1X
D	RIGHT DIVIDER		1X
E	ADJUSTABLE SHELF		2X
F	SHELF PANEL		1X
G	SHELF RAIL		1X
H	BASE ASSEMBLY		1X
I	BACK PANEL		1X
J	LEG		4X
K	LEFT DOOR		1X
L	RIGHT DOOR		1X
1	25 MM BOLT	M6x25mm 	8X
2	1/2" ROUND HEAD SCREW	M3x13mm 	16X
3	5/8" FLAT HEAD SCREW	M3x16mm 	12X
4	CAMBOLT		31X

Product Dimensions: 54 1/32"W x 15"D x 22"H



WEIGHT CAPACITY:
TOP: 50 LBS
SHELF: 15 LBS

**WARNING: DO NOT OVER TORQUE
BOLTS/SCREWS**

PIECE	DESCRIPTION	PICTURE	QUANTITY
5	CAMLOCK		31X
6	HINGE		4X
7	SHELF PIN		8X
8	WEDGE		12X
9	DOWEL		22X
10	SPRING WASHER		8X
11	ALLEN KEY		1X

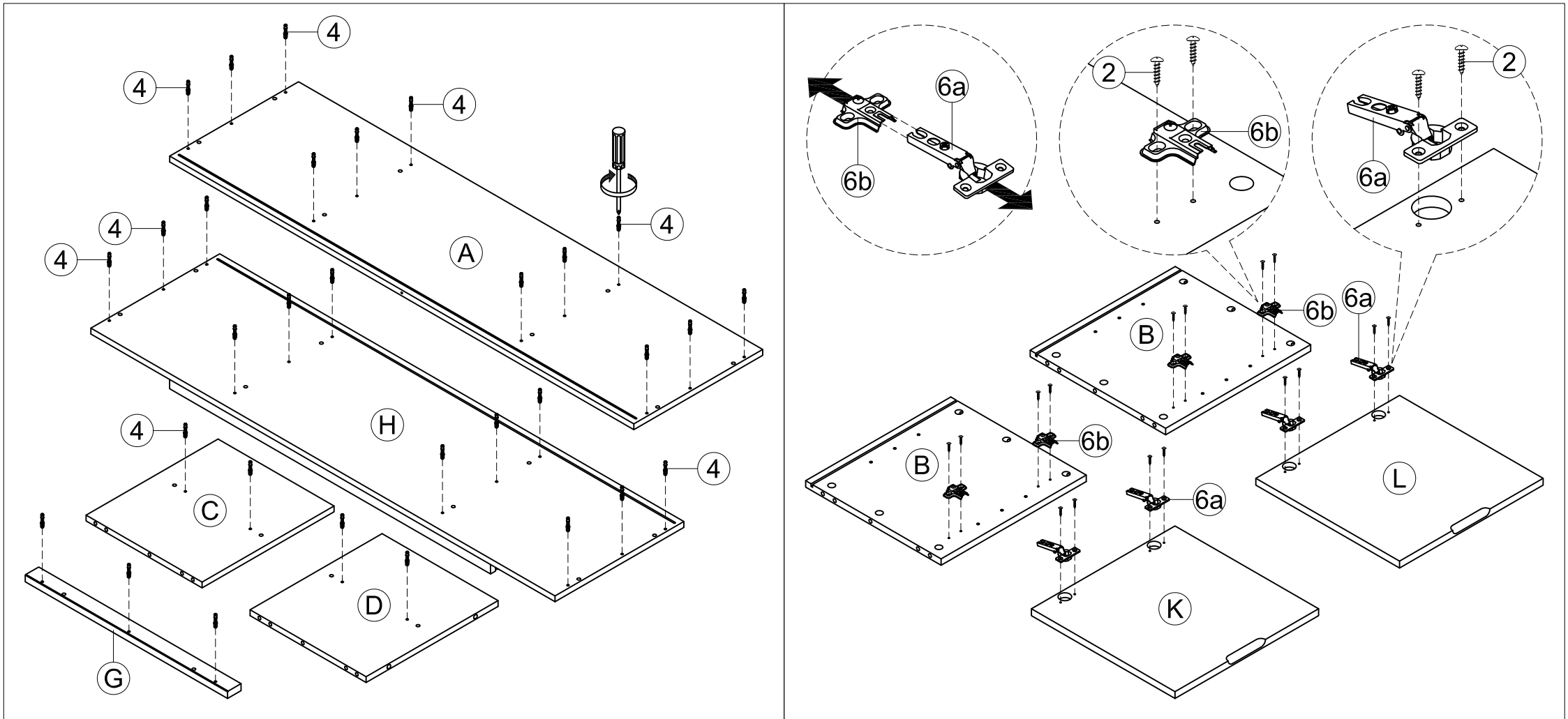
PREPARATION

Before beginning assembly of product, make sure all parts are present. Compare parts with package contents list and hardware contents list.

If any part is missing or damaged, do not attempt to assemble the product.

Estimated Assembly Time: 60 minutes.

Tools Required for Assembly : Phillips Screwdriver



STEP 1 ATTACH CAMBOLT TO TOP PANEL, LEFT AND RIGHT DIVIDERS, SHELF RAIL AND BASE ASSEMBLY.

STEP 2 DETACH THE HINGES. ATTACH HINGES TO DOORS, AND HINGE BASES TO SIDE PANELS USING 1/2" ROUND HEAD SCREW.

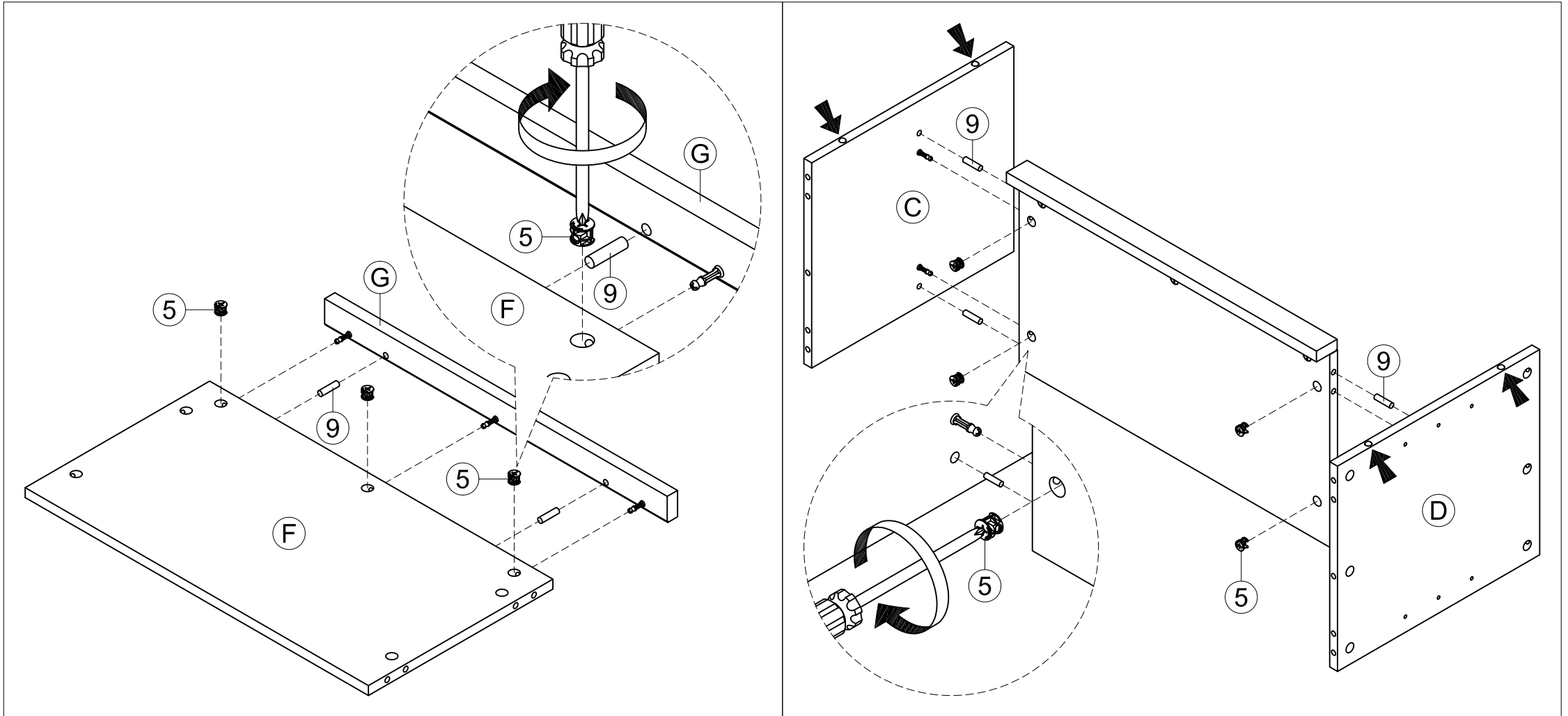
PREPARATION

Before beginning assembly of product, make sure all parts are present. Compare parts with package contents list and hardware contents list.

If any part is missing or damaged, do not attempt to assemble the product.

Estimated Assembly Time: 60 minutes.

Tools Required for Assembly : Phillips Screwdriver



STEP 3 ATTACH SHELF RAIL TO SHELF PANEL USING CAM LOCKS AND DOWELS.

STEP 4 ATTACH LEFT AND RIGHT DIVIDERS TO UNIT USING CAM LOCKS AND DOWELS.

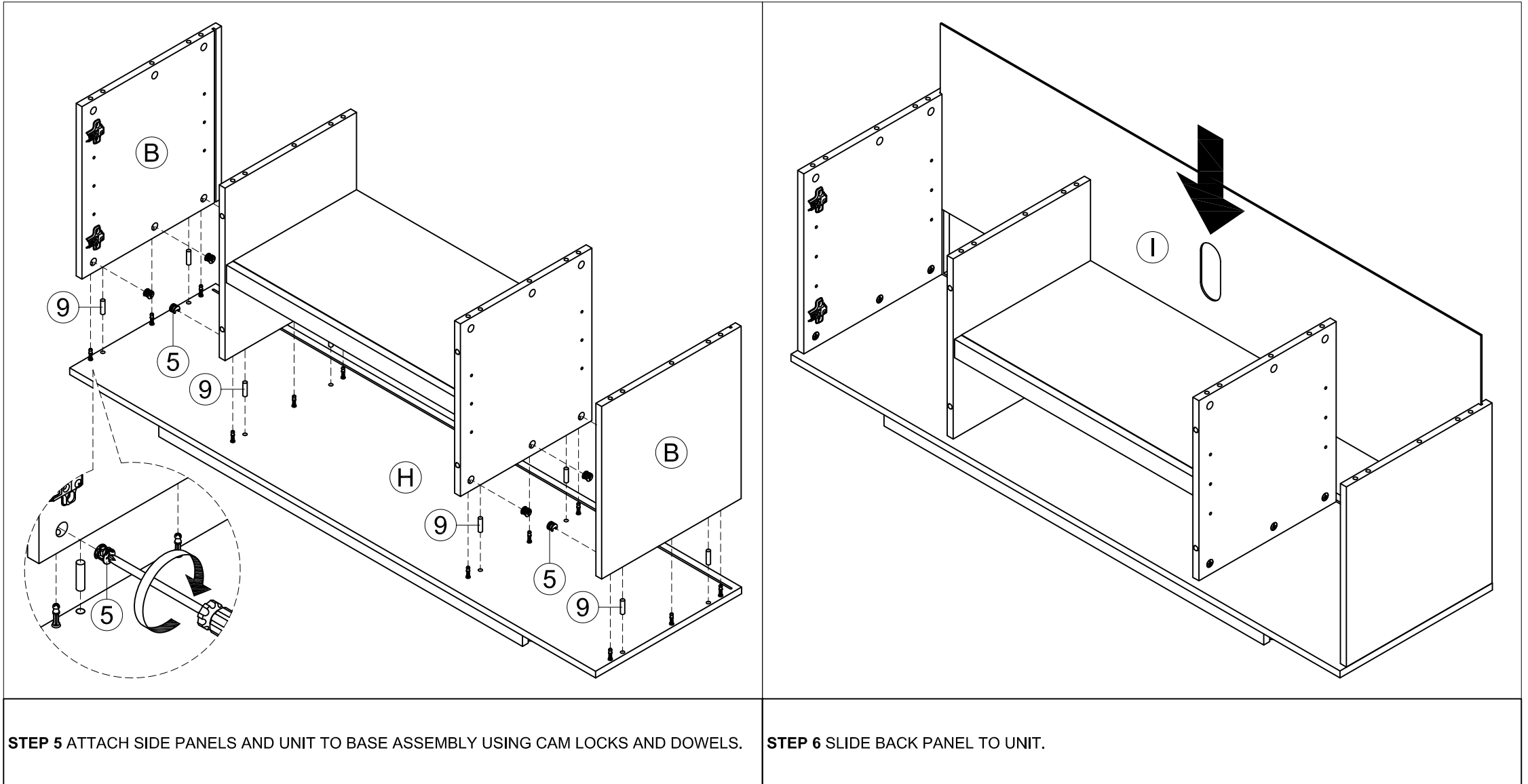
PREPARATION

Before beginning assembly of product, make sure all parts are present. Compare parts with package contents list and hardware contents list.

If any part is missing or damaged, do not attempt to assemble the product.

Estimated Assembly Time: 60 minutes.

Tools Required for Assembly : Phillips Screwdriver



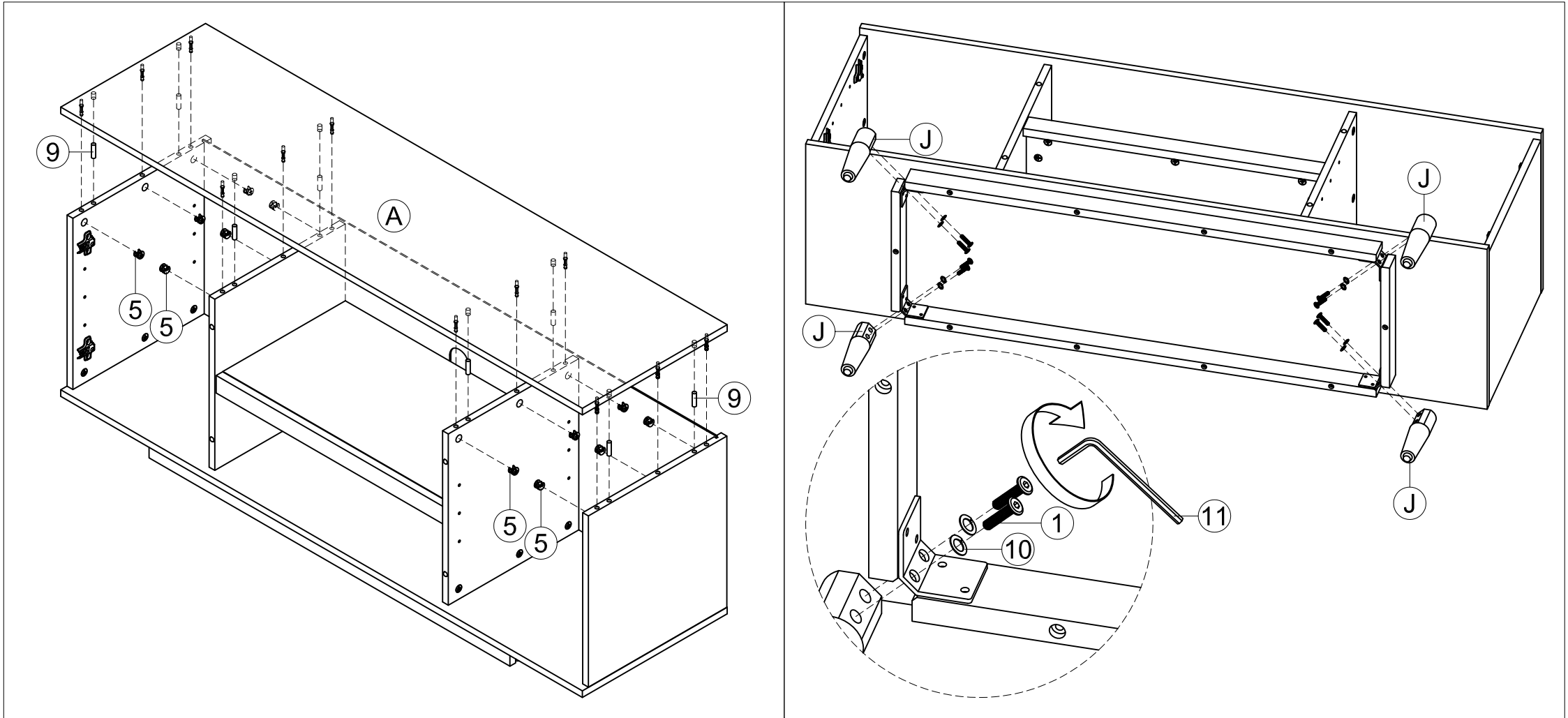
PREPARATION

Before beginning assembly of product, make sure all parts are present. Compare parts with package contents list and hardware contents list.

If any part is missing or damaged, do not attempt to assemble the product.

Estimated Assembly Time: 60 minutes.

Tools Required for Assembly : Phillips Screwdriver



STEP 7 ATTACH TOP PANEL TO UNIT USING CAMLOCKS AND DOWELS.

STEP 8 ATTACH LEGS TO UNIT USING BOLTS AND SPRING WASHERS. TIGHTEN BOLTS USING ALLEN KEY.

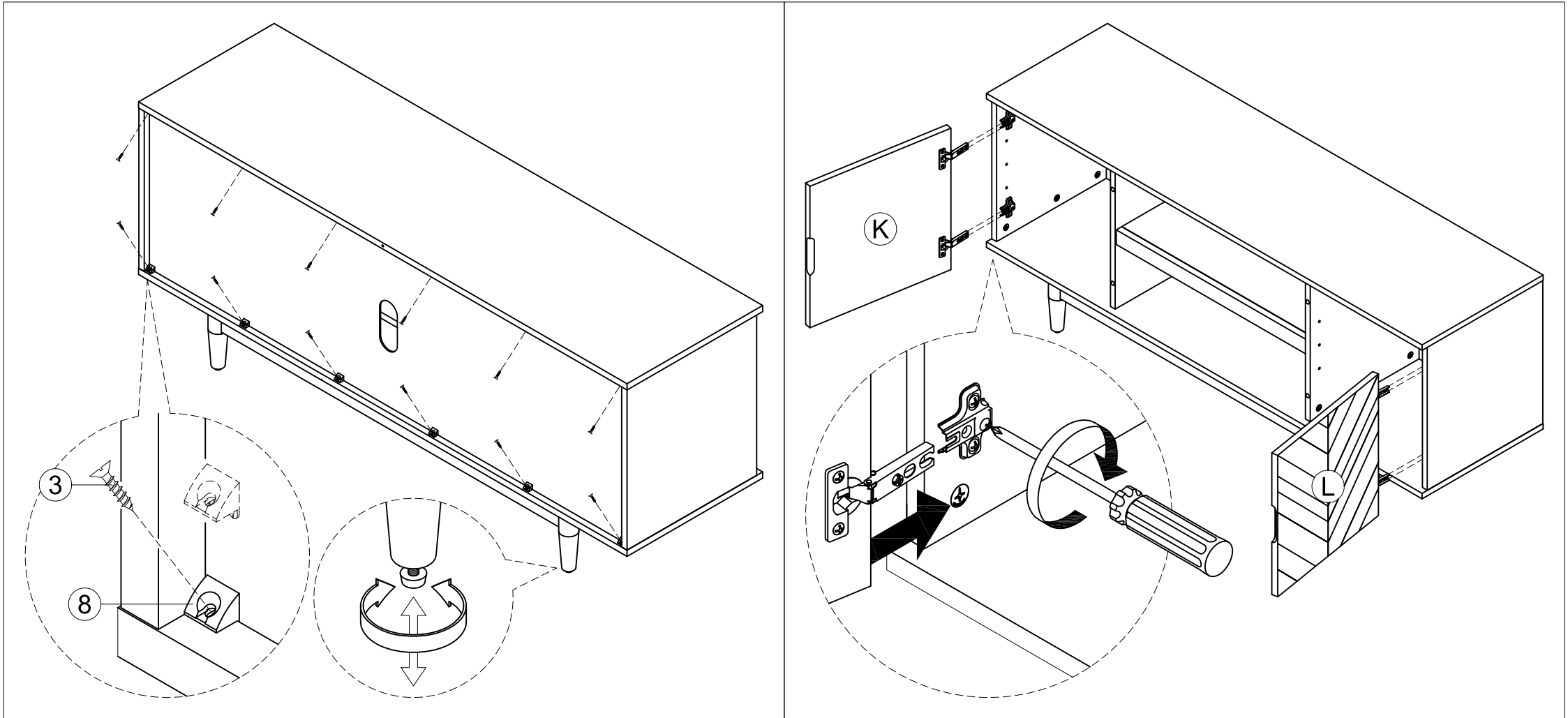
PREPARATION

Before beginning assembly of product, make sure all parts are present. Compare parts with package contents list and hardware contents list.

If any part is missing or damaged, do not attempt to assemble the product.

Estimated Assembly Time: 60 minutes.

Tools Required for Assembly : Phillips Screwdriver



STEP 9 ATTACH WEDGE TO LOCK BACK PANEL USING 5/8" FLAT HEAD SCREW.
ADJUST THE ADJUSTER BOLT THAT HAS ALREADY ASSEMBLED TO THE LEGS TO STABILIZE
YOUR UNIT

STEP 10 ATTACH DOOR PANEL TO UNIT BY ATTACHING THE HINGES.

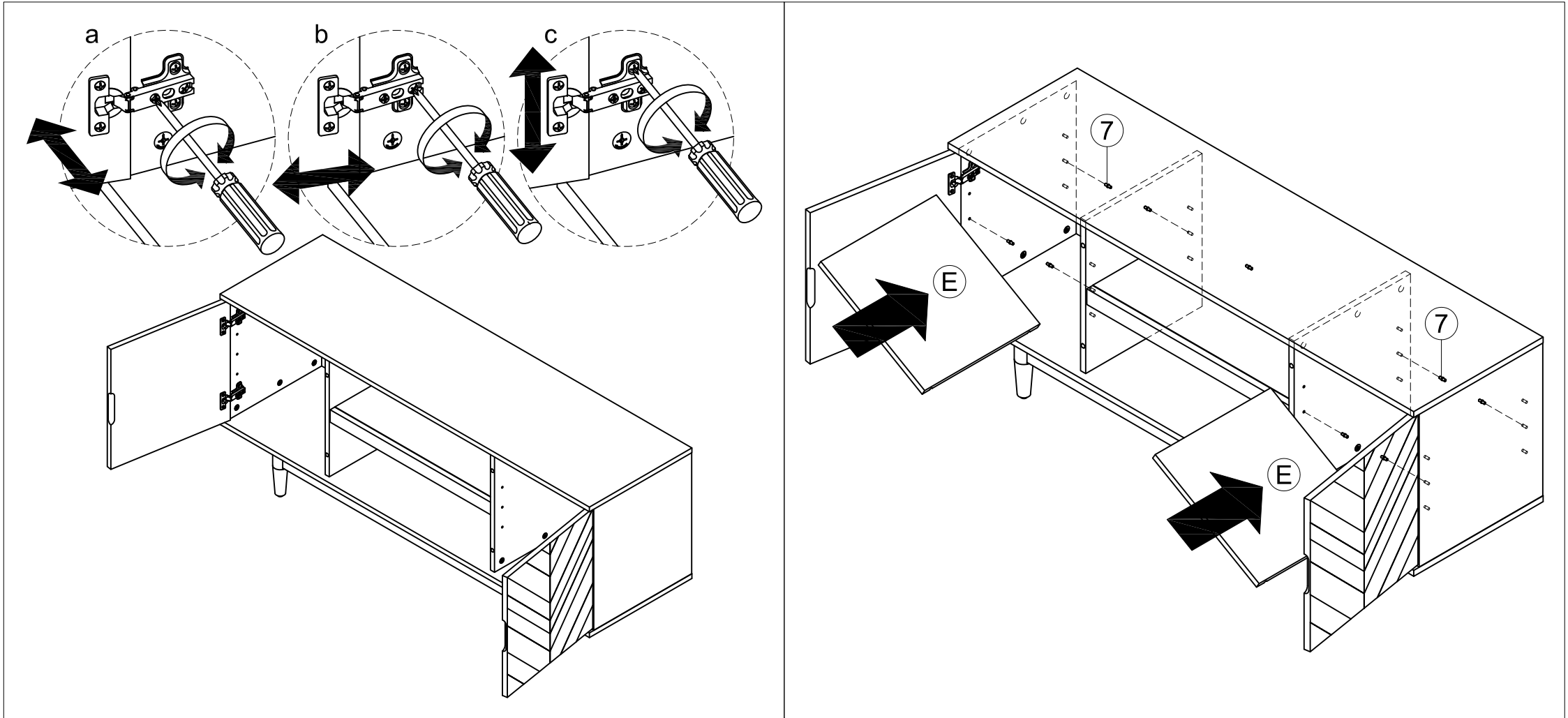
PREPARATION

Before beginning assembly of product, make sure all parts are present. Compare parts with package contents list and hardware contents list.

If any part is missing or damaged, do not attempt to assemble the product.

Estimated Assembly Time: 60 minutes.

Tools Required for Assembly : Phillips Screwdriver



STEP 11 (a) ADJUST THE DOOR PANEL LEFT OR RIGHT. (b) ADJUST THE DOOR PANEL FORWARD OR BACKWARD. (c) ADJUST THE DOOR PANEL UP OR DOWN.

STEP 12 INSERT SHELF PINS INTO LEFT AND RIGHT PANELS AT DESIRED LEVEL. PLACE ADJUSTABLE SHELF INTO POSITION.