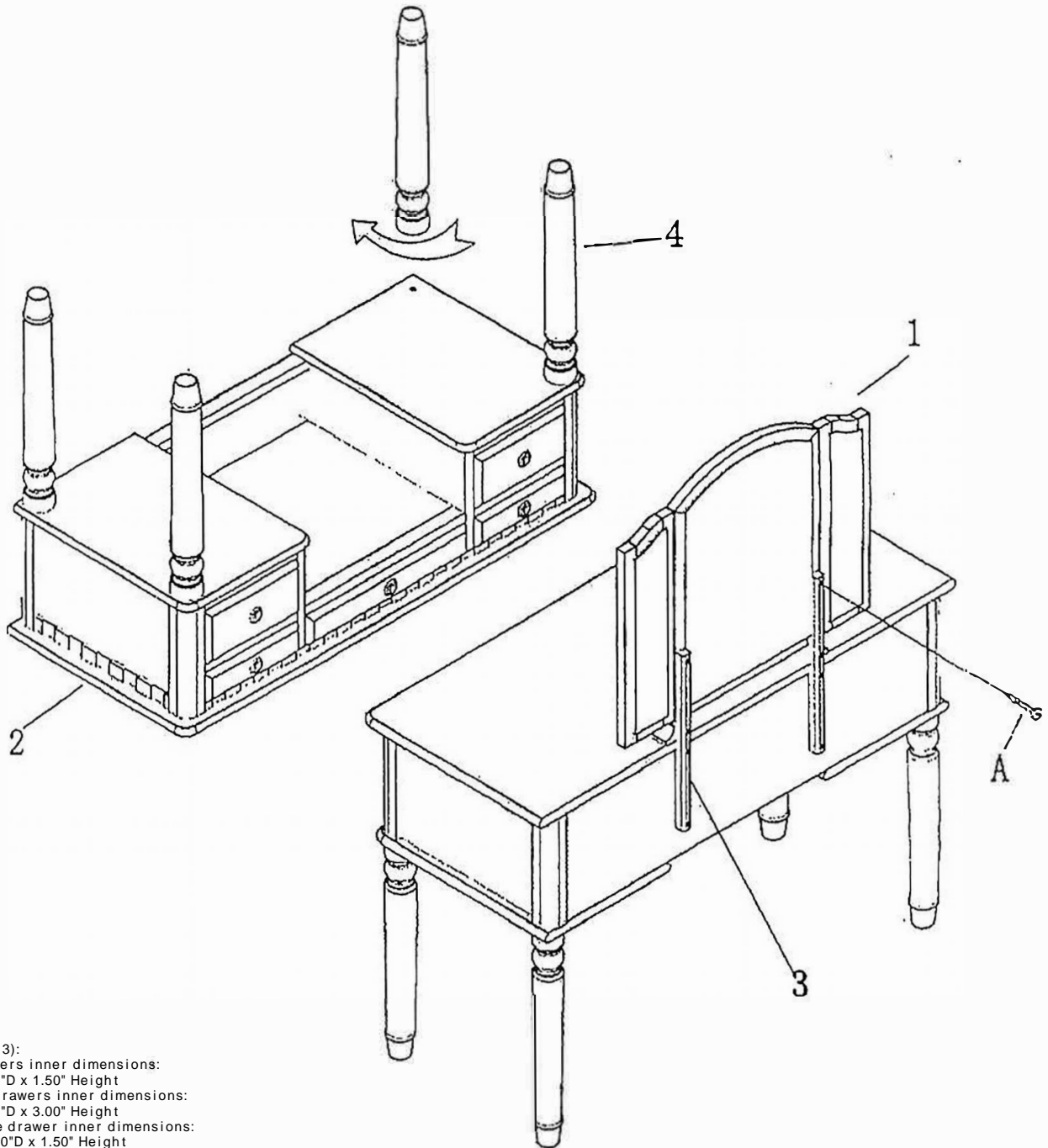


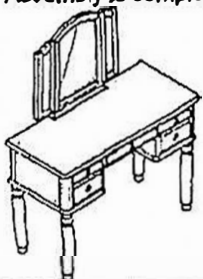
# ASSEMBLY INSTRUCTION



Remark (8/22/2013):

- 1) Top side drawers inner dimensions:  
7.00"W x 11.50"D x 1.50" Height
- 2) Bottom side drawers inner dimensions:  
7.00"W x 11.50"D x 3.00" Height
- 3) Center/Middle drawer inner dimensions:  
14.50"W x 11.50"D x 1.50" Height

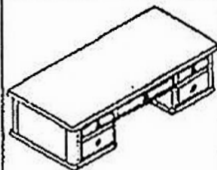
Assembly is completed



## PART LIST



(1SET)  
1- MIRROR



2- TOP (1PC)




(2PCS)  
3-BACK BAR

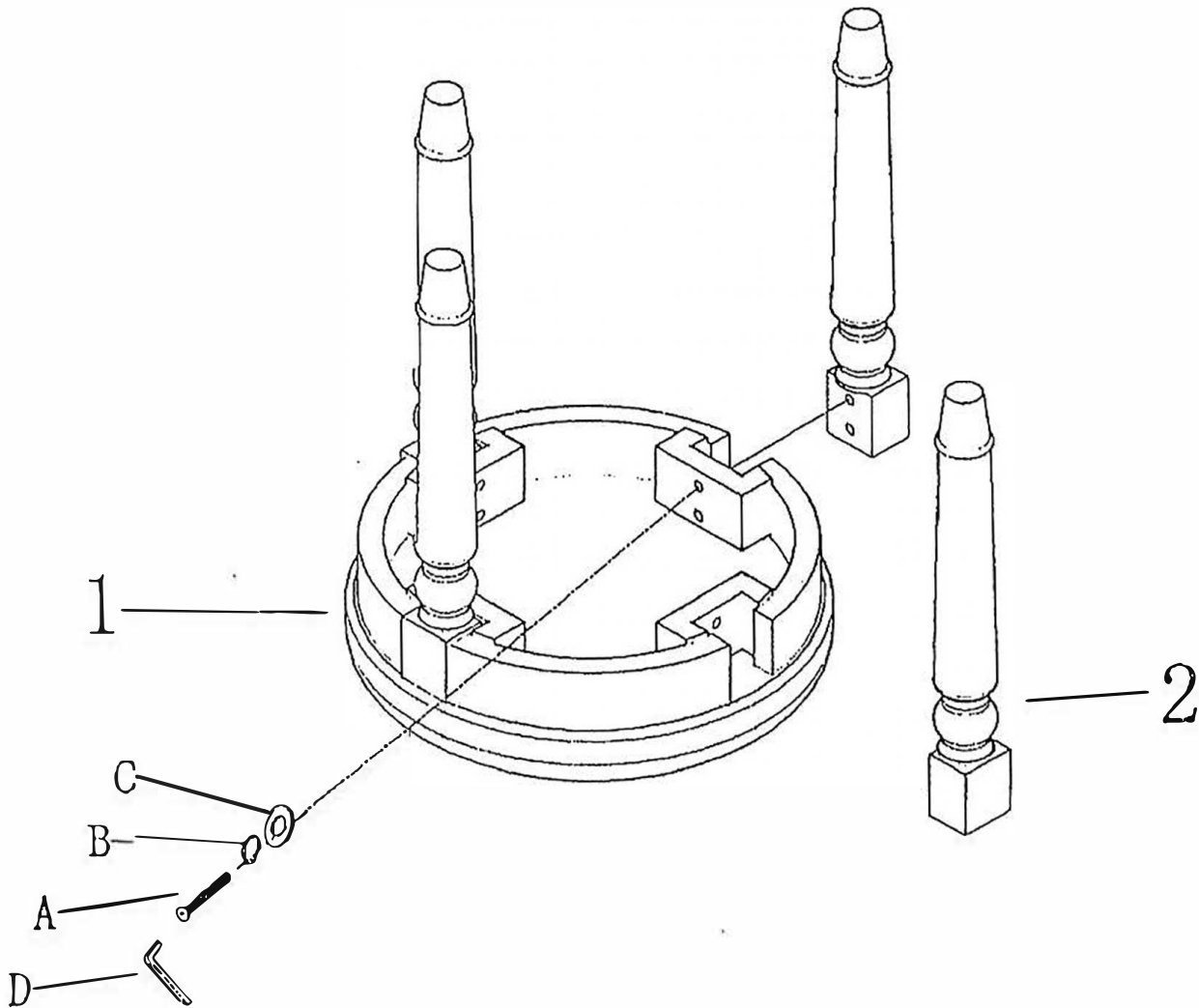


4-LEG (4PCS)

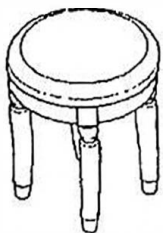
## HARDWARE LIST

NO	DESCRIPTION	QTY
A	SCREW 1-1/4"L 	8PCS

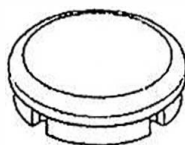
# ASSEMBLY INSTRUCTION



Assembly is completed



## PART LIST







1-TOP 1PC

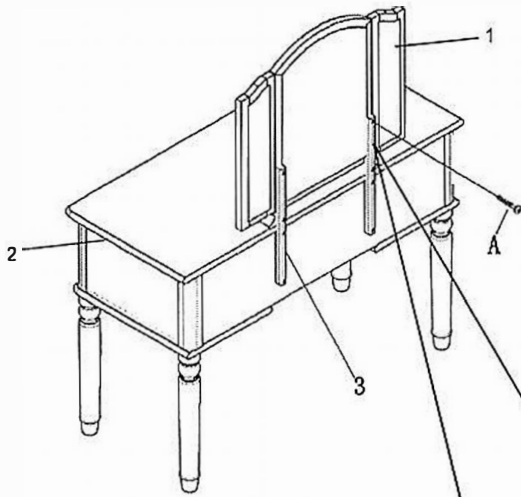


2-LEG 4PCS

## HARDWARE LIST

NO	DESCRIPTION	QTY
A	BOLT 	8PCS
B	LOCK WASHER 	8PCS
C	FLAT WASHER 	8PCS
D	WRENCH 	1PC

# ADDITIONAL ASSEMBLY INSTRUCTION



Step 1:  
Mount the mirror support bars (3) onto the mirror (1).

Step 2:  
Center the mirror unit and then mount the mirror unit to the back of vanity desk (2).

