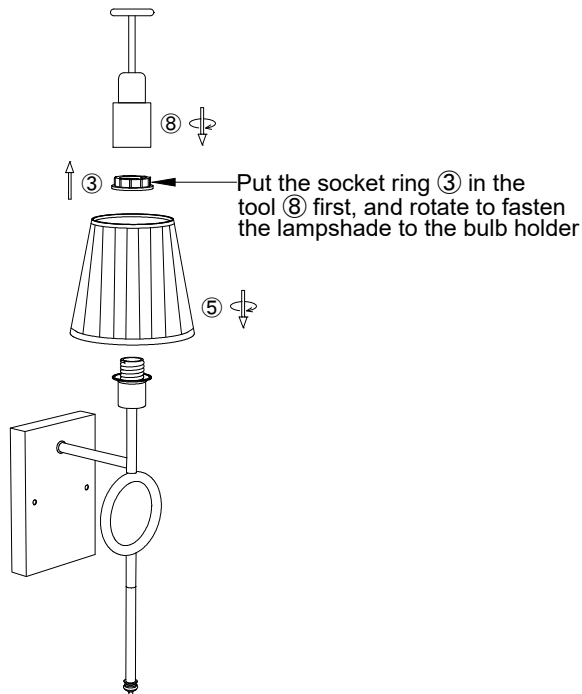
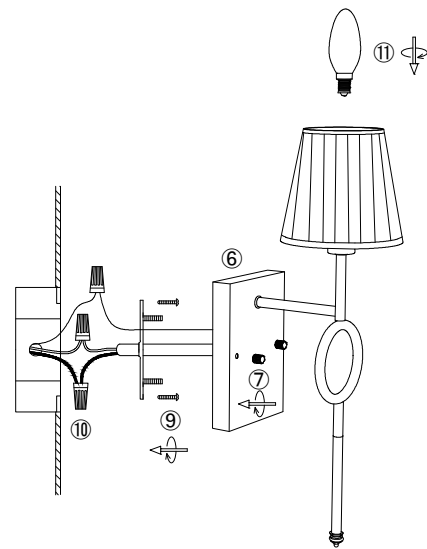


Please operate with gloves to avoid leaving stains on the lampshade.



3.Use tool ⑧ to install the lampshade ⑤ to the fixture with socket ring ③.



4.Install the bracket to the wall junction box with screw ⑨.  
 5.Connect the wire to your home line with cap connector ⑩.  
 6.Install the fixture to the bracket with cap nut ⑦.  
 7.Install the bulb ⑪.

Please read carefully before installation!!!

Note : Please make sure that the electricity is powered off during installation !

Only a professional electrician should install this kind of product !