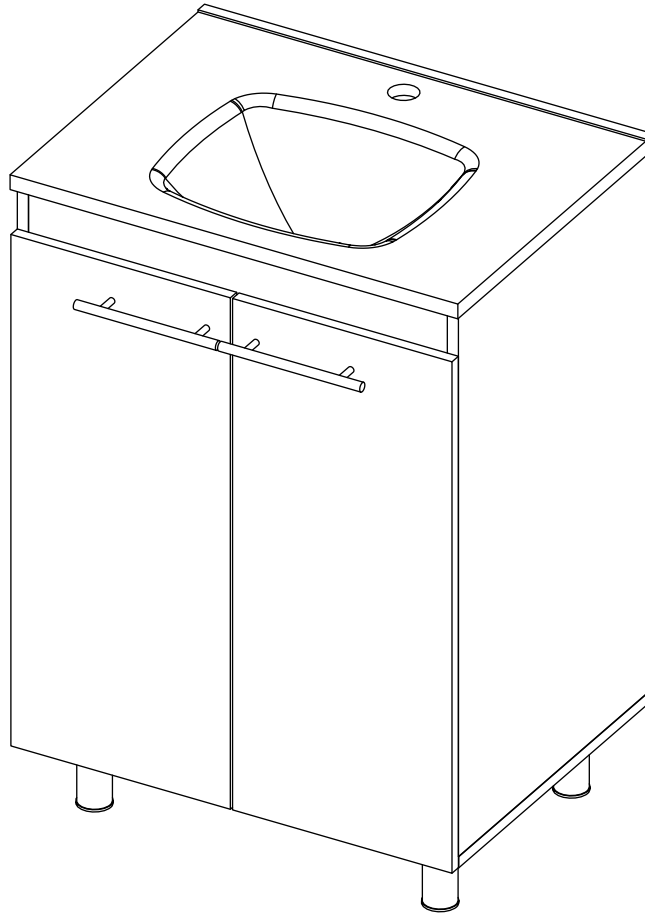


# ASSEMBLY INSTRUCTIONS

## INSTRUCCIONES DE ENSAMBLE



Height: 34,02 in  
Width: 23,82 in  
Depth: 18,11 in

Alto: 86,8 cm  
Ancho: 60,5 cm  
Fondo: 46 cm

**24" SINGLE**  
**FREESTANDING VANITY**  
**MUEBLE LAVAMANOS**  
**24" A PISO**



## IMPORTANT RECOMMENDATIONS

Do not paint the cabinet.

The cabinet **MUST** be used exclusively indoors, do not expose to direct sun.

Clean metallic hardware with a dry cloth.

Do **NOT** overload the cabinet (see suggested loads).

Do not hit or hammer the cabinet (just when indicated).

Clean with a slightly damp cloth, use gentle soaps.

Do not drag, lift and move between two people.

Avoid direct contact with water, fire or exposure to heat sources.

## RECOMENDACIONES IMPORTANTES

No pintar el mueble.

El mueble debe ser usado únicamente en interiores, no exponer al sol directo.

Limpiar los herrajes metálicos con un paño seco.

**NO** sobrecargar el mueble (ver las cargas sugeridas).

No golpear ni martillar el mueble (solo cuando se indique).

Limpiar con un paño ligeramente húmedo, usar jabones suaves.

No arrastre el mueble, levántelo entre dos personas.

Evite el contacto directo con el agua, el fuego o la exposición a fuentes de calor.



### WARNING

Never allow children to climb or manipulate the cabinet, furniture tip over can cause serious injuries or death.



### ADVERTENCIA

Nunca permita que los niños escalen o manipulen el mueble, la caída de este puede provocar lesiones graves o la muerte.

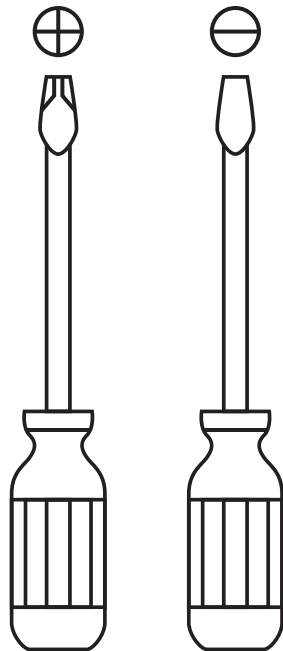
# INDEX

|                               |      |
|-------------------------------|------|
| Assembly Hardware .....       | 4    |
| Assembly Parts .....          | 5    |
| Suggested Loads.....          | 6    |
| Assembly Recommendations..... | 6    |
| Assembly Steps .....          | 7-15 |
| Warranty.....                 | 16   |

# ÍNDICE

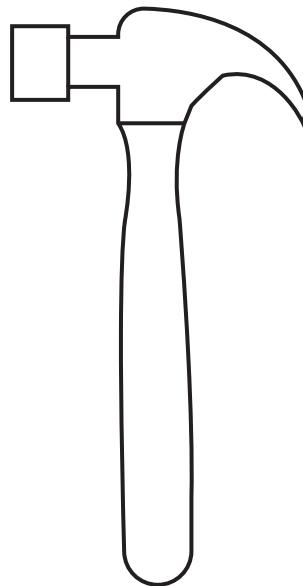
|                                  |      |
|----------------------------------|------|
| Herrajes para Armado.....        | 4    |
| Piezas de Armado.....            | 5    |
| Cargas Sugeridas.....            | 6    |
| Recomendaciones de Ensamble..... | 6    |
| Pasos de Armado.....             | 7-15 |
| Garantía .....                   | 16   |

## REQUIRED TOOLS\*



\*Not included, and not shown actual size.

## HERRAMIENTAS NECESARIAS\*



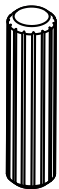
\*No incluidas y no se muestran en tamaño real.

# ASSEMBLY HARDWARE

# HERRAJES PARA ARMADO

Please check that the hardware content is correct. If any item is missing, please call to our customer service line.

Compruebe que el contenido de los herrajes sea el correcto. En caso de que falte alguna pieza, por favor llame a nuestra línea de atención al cliente.



**x12**

Wood Dowel  
Tarugo



**x10**

Spreading Bolt  
Perno Minifix



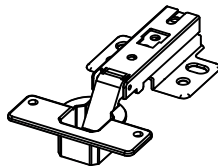
**x10**

Minifix Cams  
Minifix



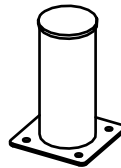
**x12**

Cover Caps  
Tapa Adhesiva  
Minifix



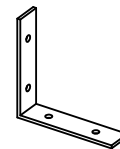
**x4**

Full Overlay Hinge  
(Screws Included)  
Bisagra Parche  
(Incluye tornillos)



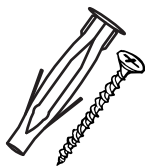
**x4**

Leg  
Pata



**x2**

Corner Brace  
Cantonera en L



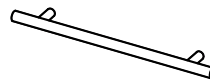
**x2**

Wall Anchor +  
Drywall Screw  
Chazo Mariposa +  
Tornillo Ensamble



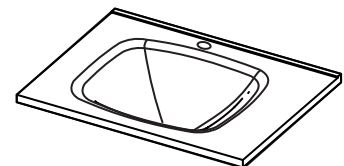
**x24**

Flat Head Screw  
Tornillo Lámina



**x2**

Handle  
Manija



**x1**

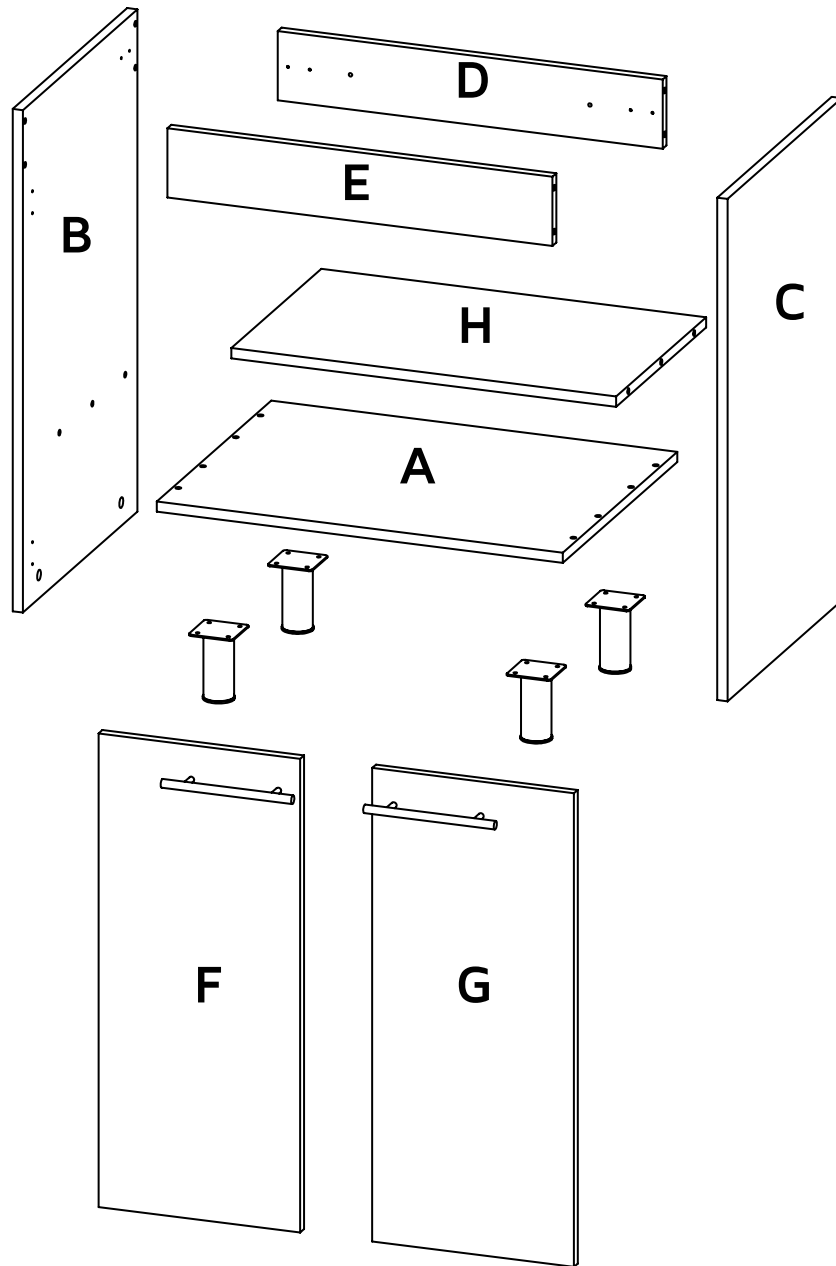
Sink  
Lavamanos

Hardware items are NOT shown actual size.

Los herrajes no se muestran en el tamaño real.

# ASSEMBLY PARTS

# PIEZAS DE ARMADO



**A - x1**

**E - x1**

**B - x1**

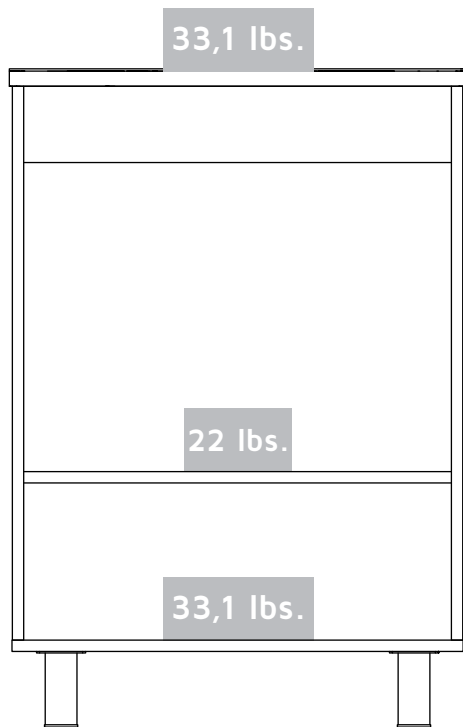
**F - x1**

**C - x1**

**G - x1**

**D - x1**

## MAX SUGGESTED LOADS



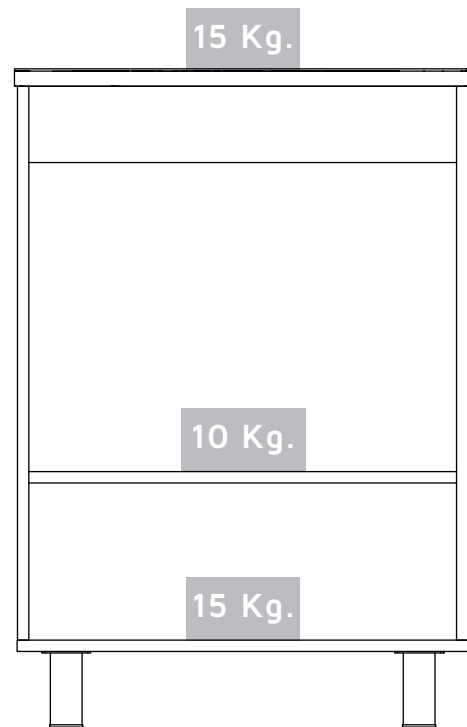
## ASSEMBLY RECOMMENDATIONS

Two people are recommended to assemble the product.

Assemble the cabinet on a flat, smooth surface, preferably on a carpeted floor or the carton box of the product.

Carefully read the assembly instructions and identify every wood and hardware part before start assembling the cabinet.

## CARGAS MÁXIMAS SUGERIDAS



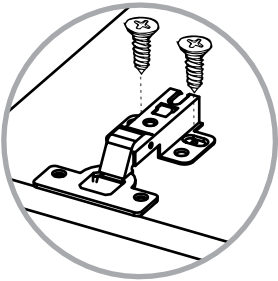
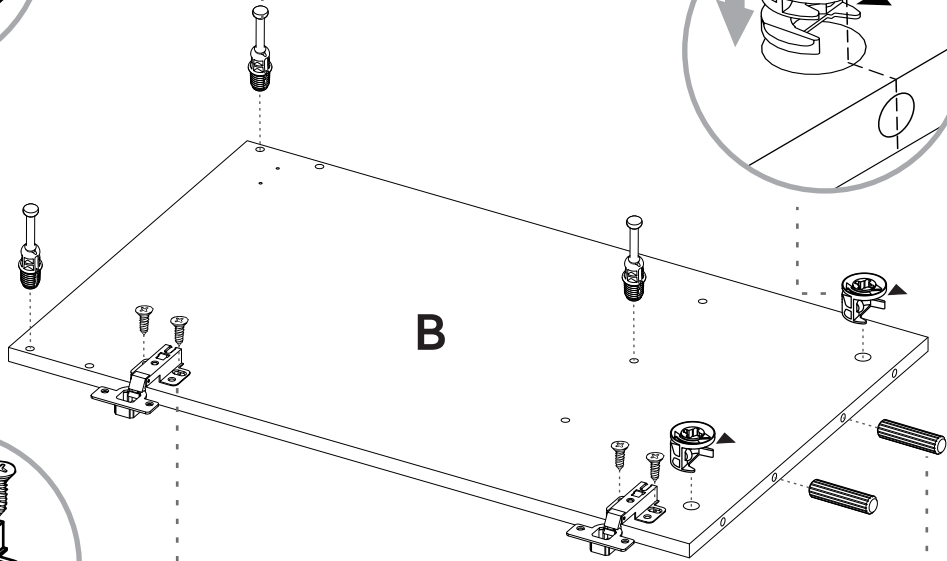
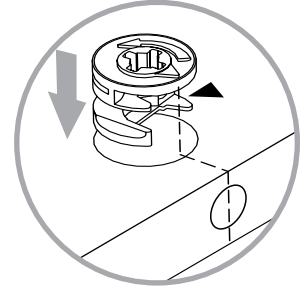
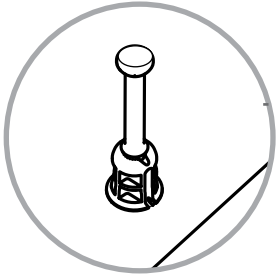
## RECOMENDACIONES DE ENSAMBLE

Ensamble el mueble entre dos personas.

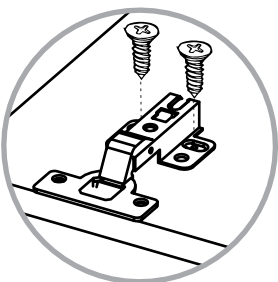
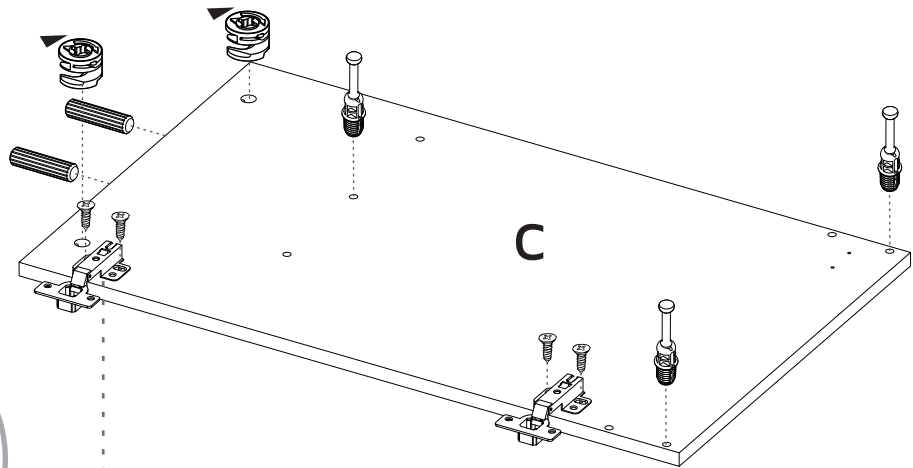
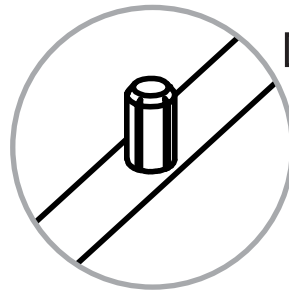
Ensamble el mueble sobre una superficie plana y lisa, preferiblemente sobre un tapete o el cartón de la caja

Lea cuidadosamente las instrucciones e identifique todas las piezas y herrajes antes de empezar a armar el mueble.

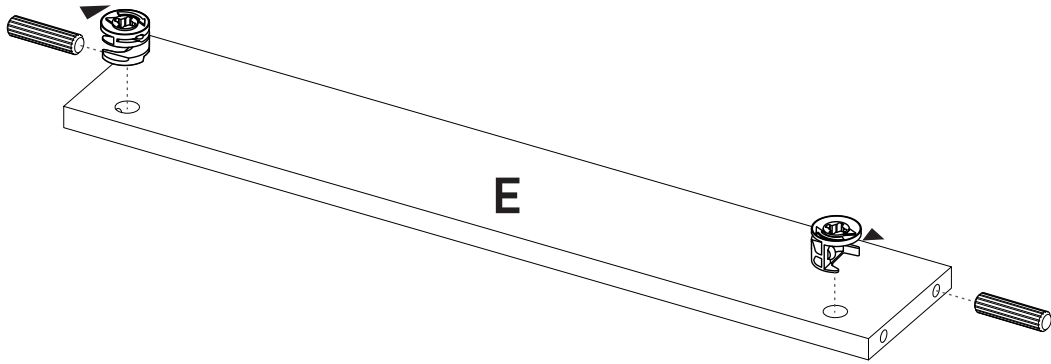
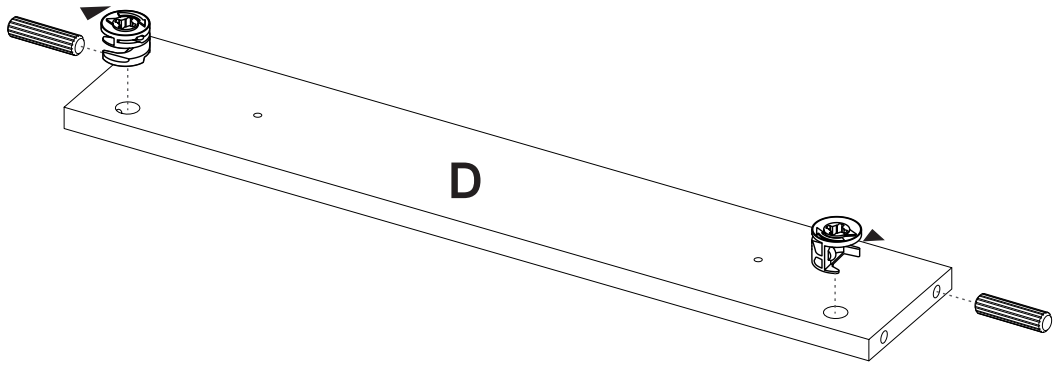
1



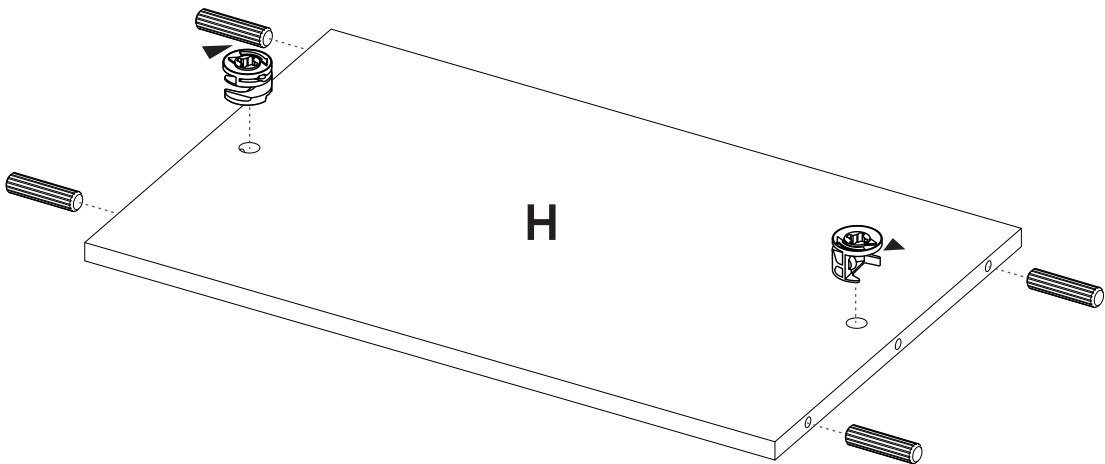
2



3

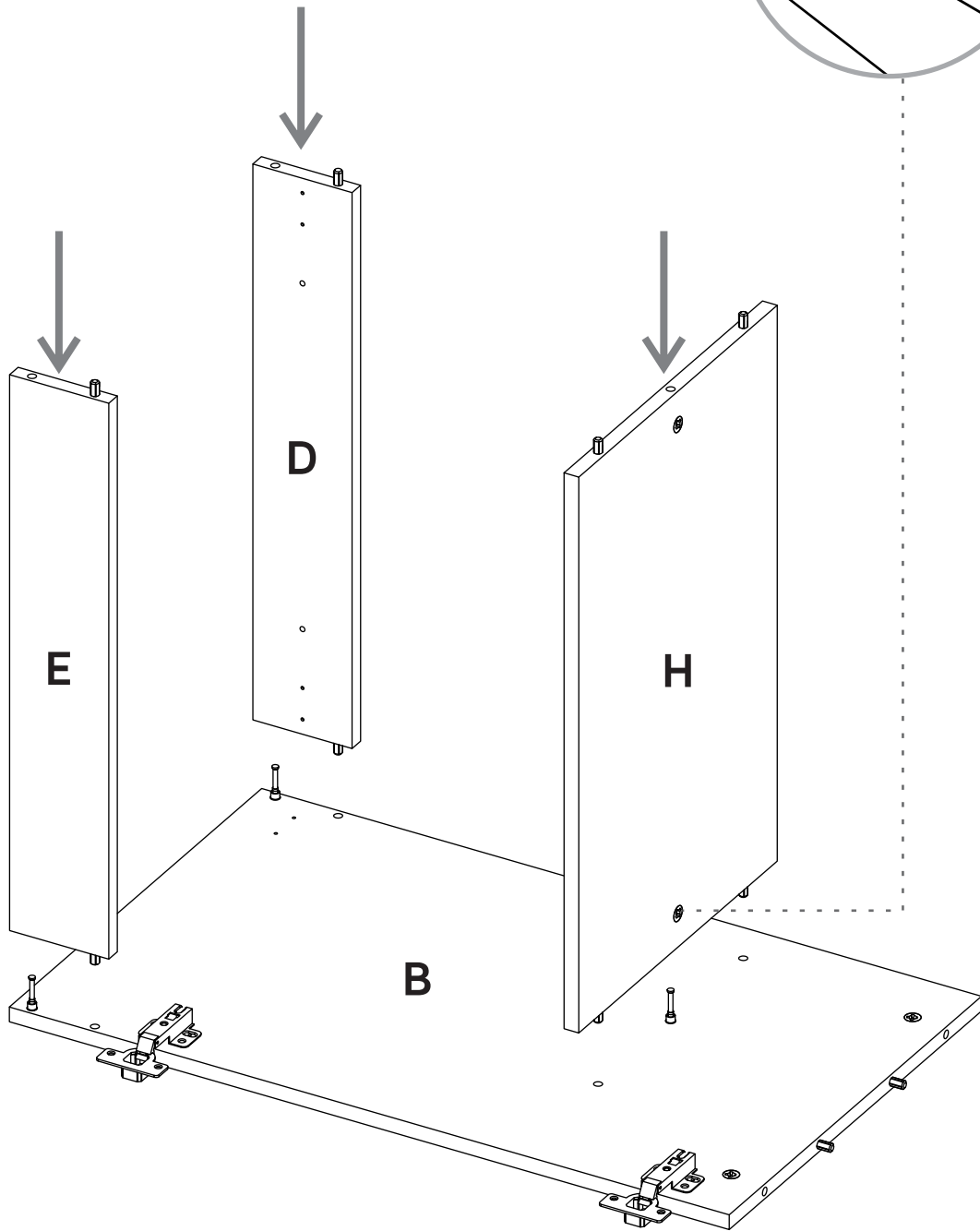
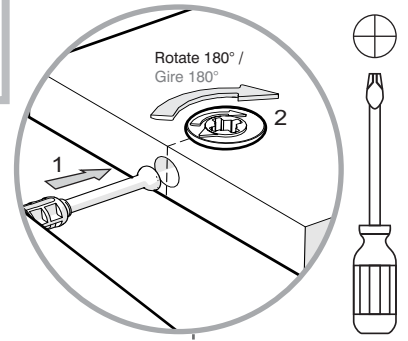


4

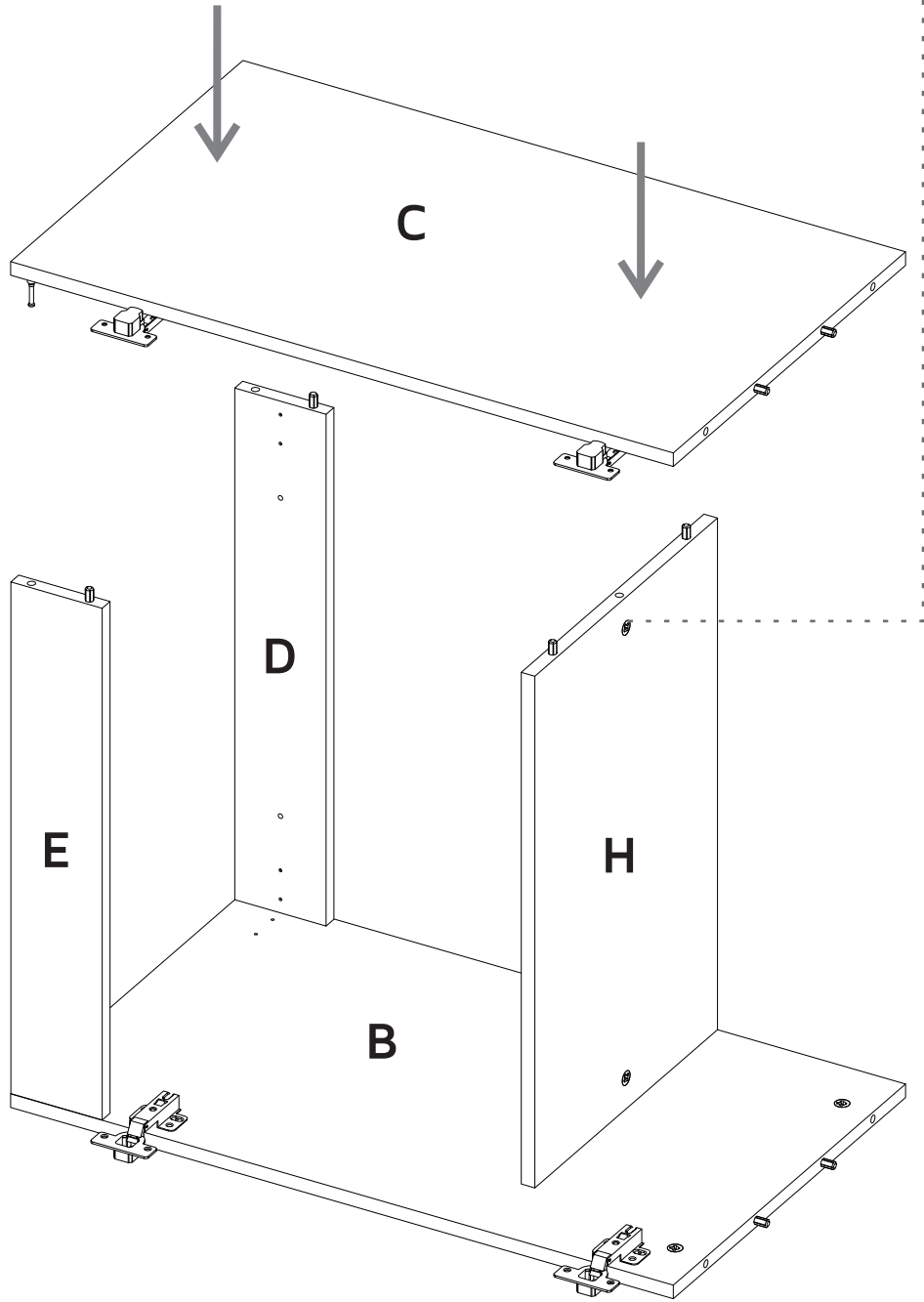
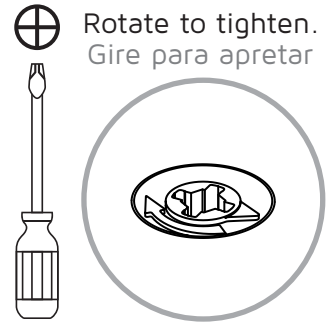


5

Turn minifix cams to the right to tighten.  
Gire las cajas minifix hacia la derecha  
para apretar las piezas.

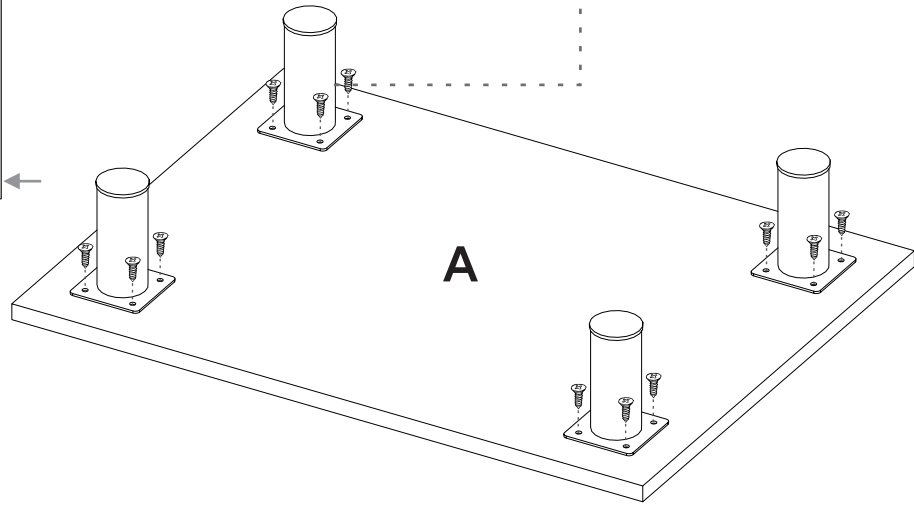
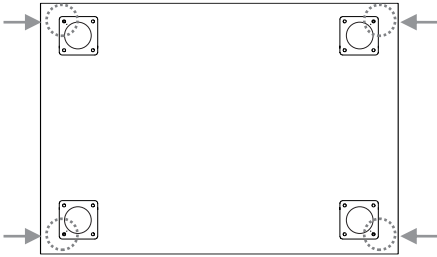
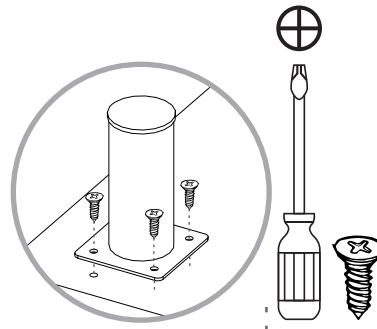


6

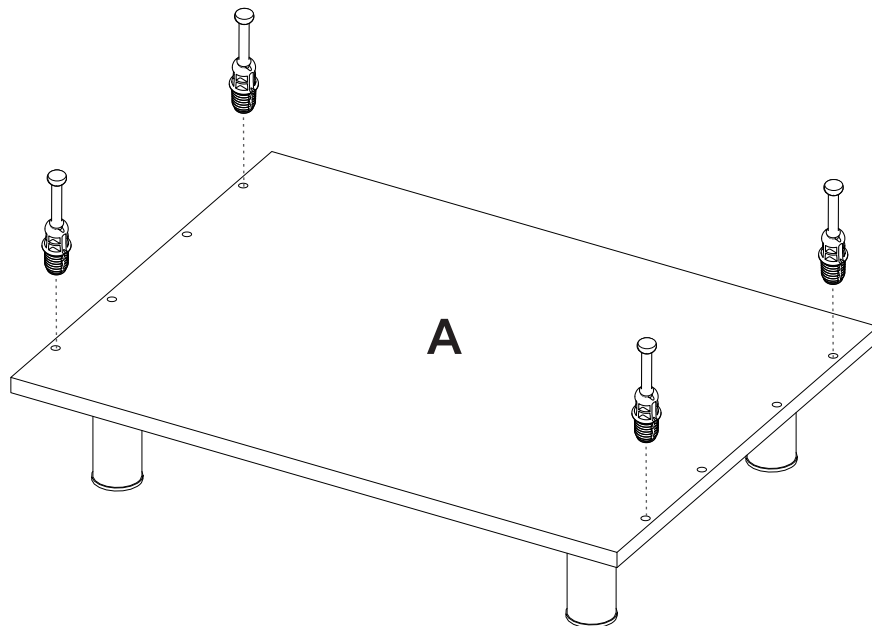
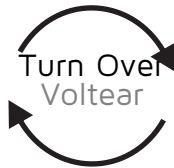


7

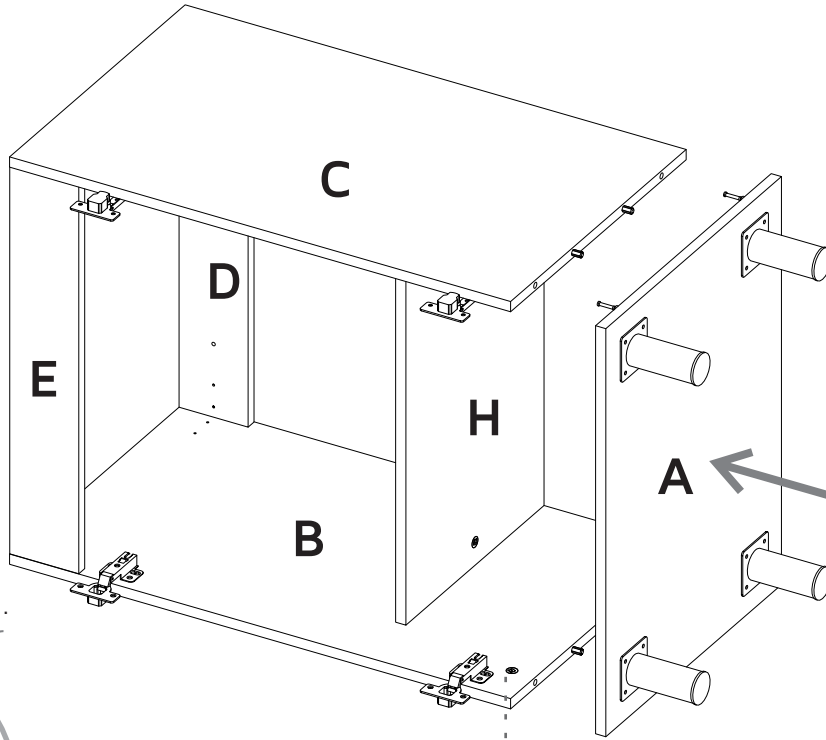
Consider the perforations in part "A" to install the legs and choose the correct leg hole to put them into place.  
Considere las perforaciones en la pieza "A" para la instalar las patas y elija el orificio correcto de la pata para colocarlas en su lugar



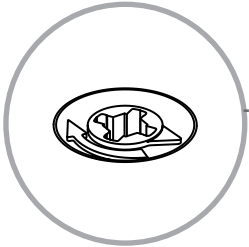
8



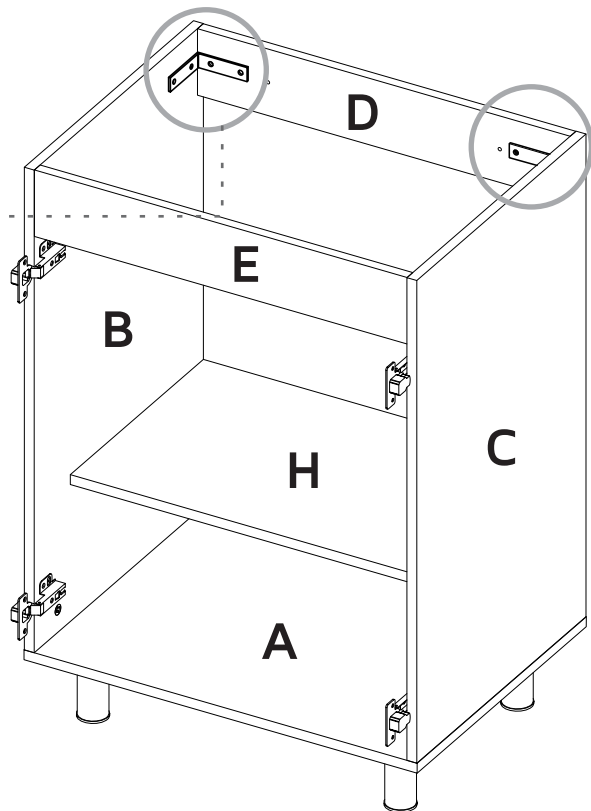
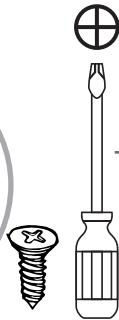
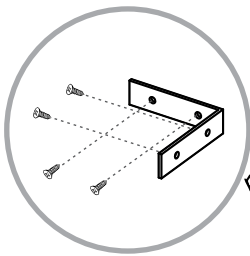
9



Rotate to tighten.  
Gire para apretar

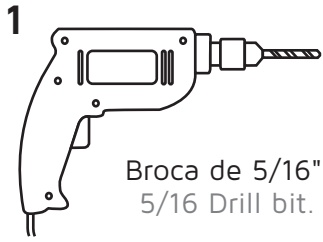


10

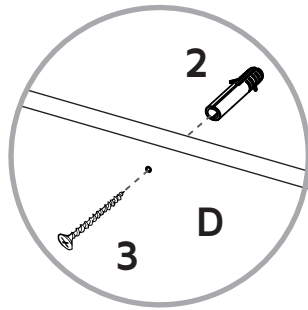


# 11

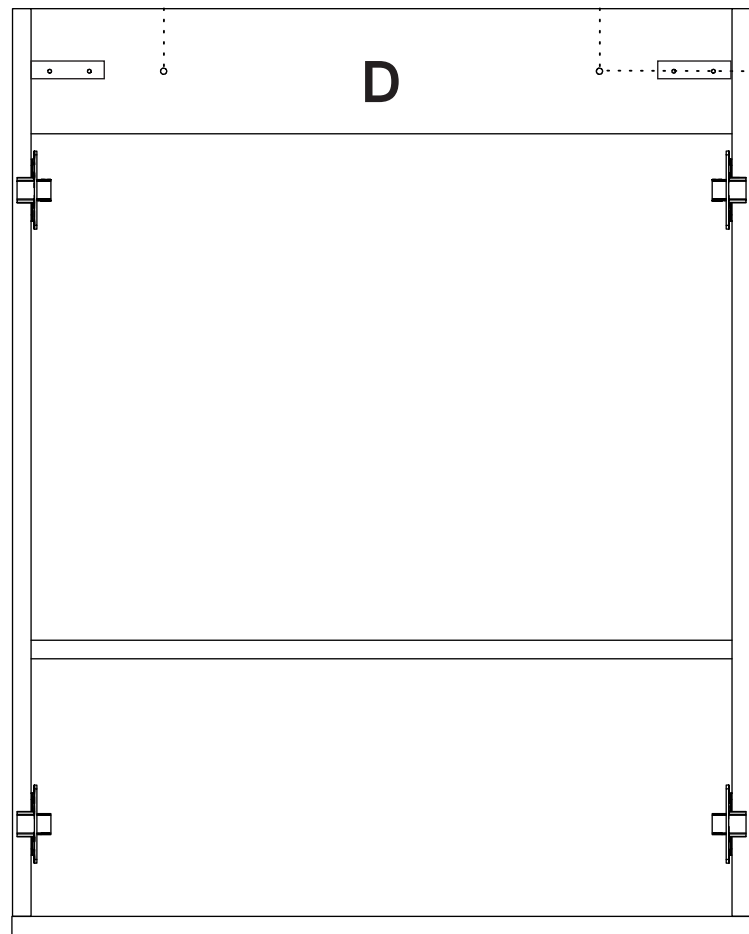
## Fixing the cabinet to the wall Instalación del mueble a la pared



Broca de 5/16".  
5/16 Drill bit.



Pared / Wall



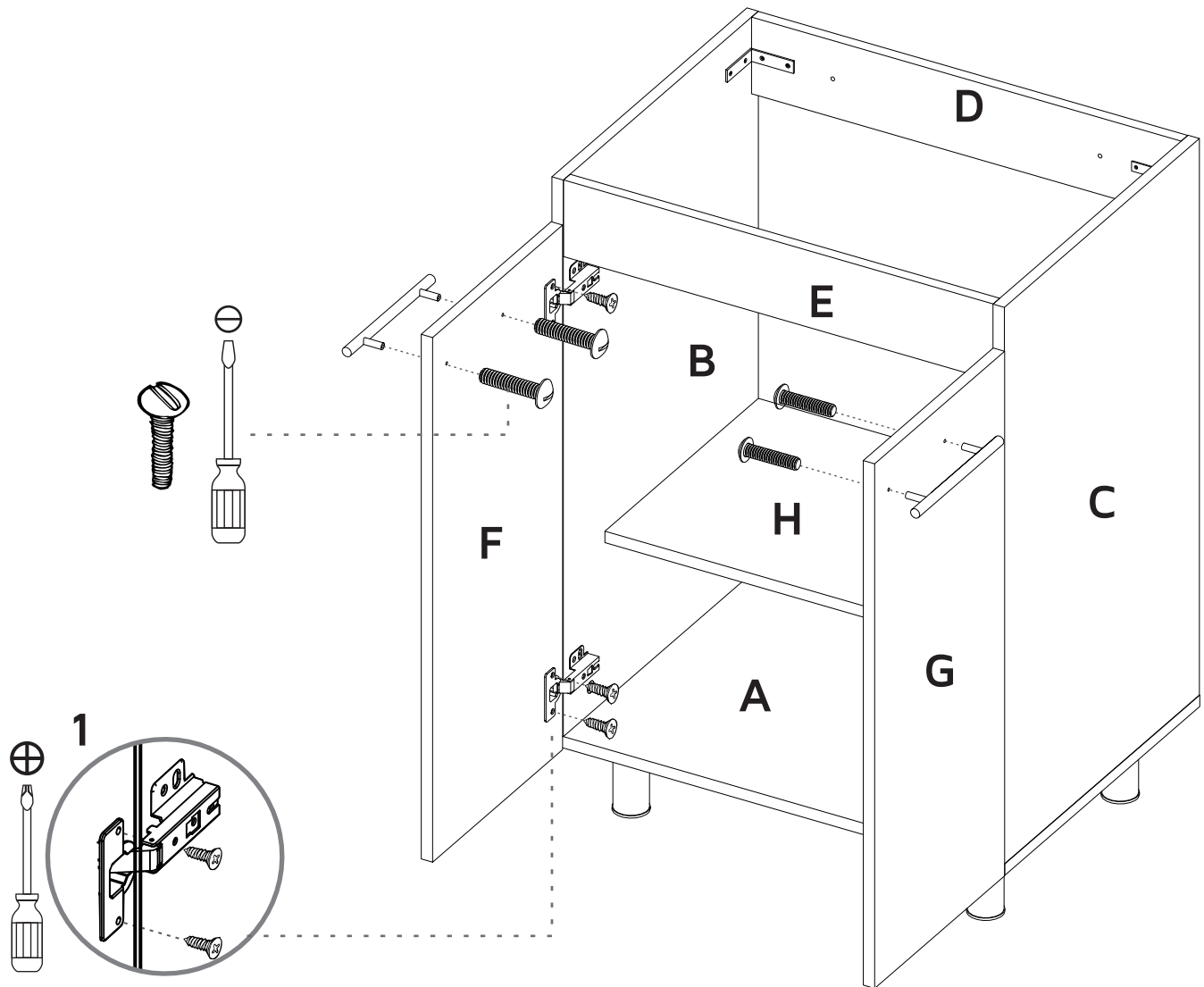
31,37  
79,7

\*Inches  
Centímetros

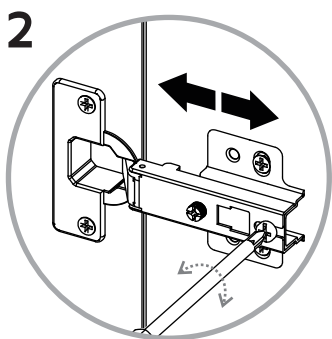
\*Floor Finished / Piso Terminado

# 12

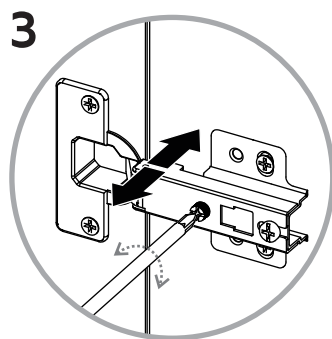
## Door Installation Instalación de las Puertas



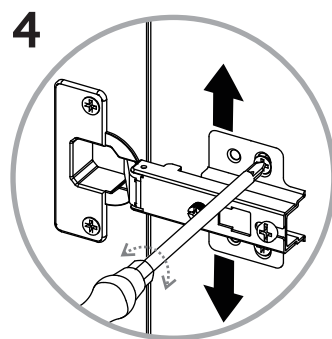
### Hinge adjustment Ajuste de las bisagras



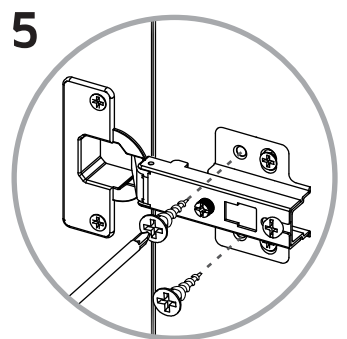
Depth adjustment  
Ajuste de profundidad



Side adjustment  
Ajuste lateral

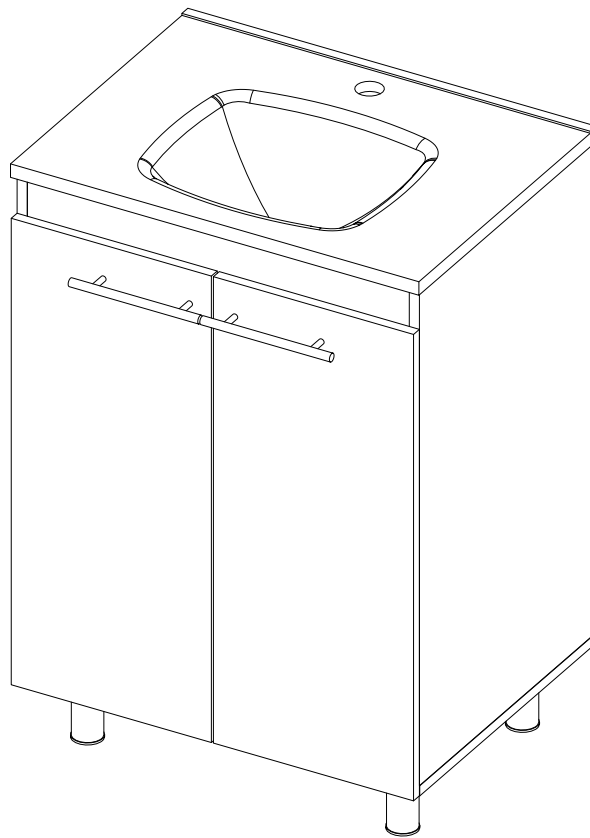


Height adjustment  
Ajuste de altura



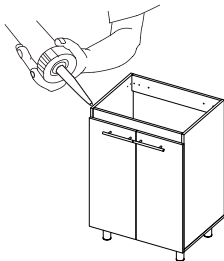
# 13

## Sink Installation Instalación de lavamanos



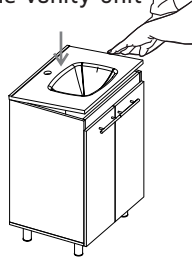
Keep in mind to apply silicone to install the sink, as is explained below:  
Tenga en cuenta la aplicación de silicona para asegurar el lavamanos al mueble, como se muestra a continuación

1. Clean the top and apply silicone



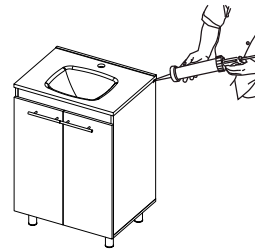
Limpie la superficie superior del mueble para eliminar la suciedad.

2. Place the sink on the vanity unit



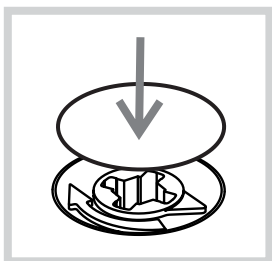
Ubique el lavamanos en el mueble

3. Apply silicone on the edges



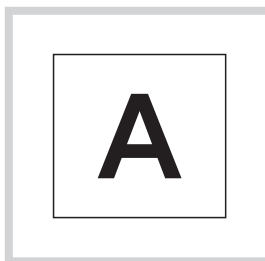
Aplique una línea delgada de silicona alrededor de todos los bordes

**\*Silicone NOT Included / Silicona NO Incluida**



After you finish the adjustment of the cams, cover them with the cover caps.

Después de ajustar todas las cajas minifix, cúbralas con las tapas adhesivas.



After you finish assembling the cabinet, take off the adhesive letters.

Al terminar de armar, desprenda las letras adhesivas.

# WARRANTY POLICY

## PÓLIZA DE GARANTÍA

Furniture has a 3 year warranty coverage in wooden parts and 1 year warranty coverage in hardware pieces since its manufacturing date, which you can see in the lot number printed on the product box and the assembly instructions leaflet.

Warranty covers materials and workmanship imperfections which impair the assembly or correct functioning of the cabinet.

This warranty is not valid if the defects or imperfections are caused by the incorrect following of the assembly instructions, warnings and recommendations, misuse, intentional damage, fire or flood, or after modifications or any kind of alteration, or repaired by someone not authorized by TUHOME Furniture, when it's been assembled 3 months after the date of purchase. These defects **MUST** be reported before the warranty coverage period ends. Once the product has been assembled, the company will not be responsible for defective and/or damaged parts.

This warranty is **ONLY** valid for the **ORIGINAL PURCHASER**, it doesn't apply if the product has been resold, rented, etc.

Furniture will take no liability for incidental or consequential damages caused to or by the product (This may not apply in your state).

To make this warranty valid you must write to our customer service email describing the product defect, lot number and submitting your sales receipt or proof of purchase, or contact us at our customer service line. Replaced parts will be under the product's original warranty coverage period. Damaged parts will become property of the company.

There are no other warranties applicable to this product.