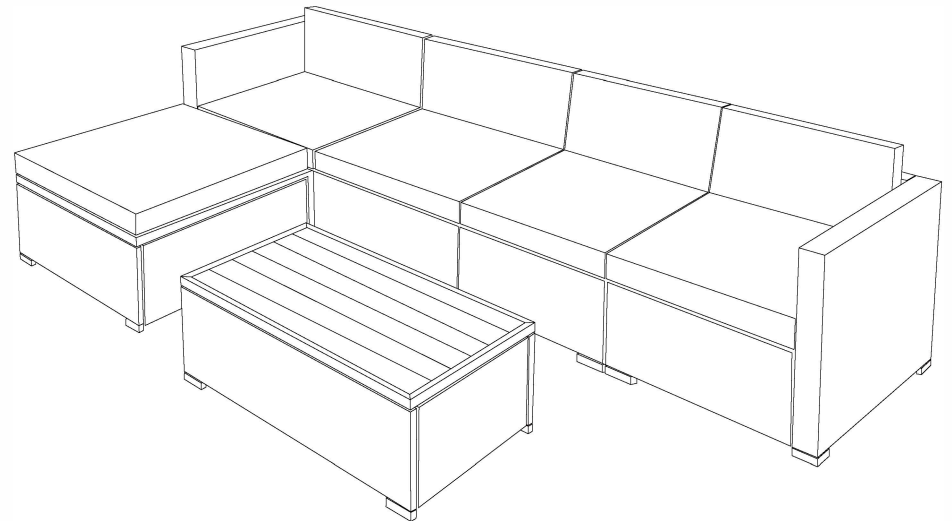


Furniture Set

ASSEMBLY INSTRUCTION



WARRANTY

So glad you have completed the assembly and can enjoy it. If you are satisfied with our products, thank you for showing your favored Furniture Set to your around.

Our products come with a 12-month warranty, you can feel free to contact us at any time.

AFTER-SALE POLICY

For return reason:

Wrong purchase, bought by mistake, no longer needed, doesn't meet expectation, a size smaller than expectation, customer need to cover the return shipping fee.

For cancel order:

Customer needs to pay for shipping fee and carrier handle fee if the item has been shipped out.

For change address: customer needs to pay for extra shipping fee and carrier handle fee if the item has been shipped out.

Customer Service:

Any problem with the product or shipping issue, please feel free to contact us, we will try our best to serve and help.

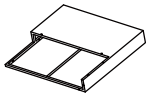
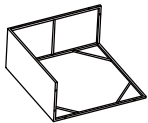
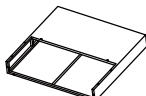




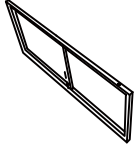


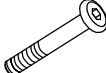


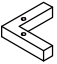

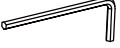


ATTENTION

Thanks for choosing our product.

- 1. Please check the manual carefully and make sure you have received all the parts.**
- 2. If there is any missing part, please let us know the letter of the parts you need.**
- 3. If there is any damage part, please send clear photos to us, we will check and offer you the best solution soon.**
- 4. There will be 3 boxes in total for this whole product. Sometimes these boxes will not arrive in same date, hope you can wait for 2-3 more days or contact us for more help.**

Assembly Instruction

Parts List Box A

C	F	G	H	
				
2 pcs	2 pcs	2 pcs	2 pcs	
I	J	K	N	
				
seat cushion 2 pcs	back cushion 2 pcs	side cushion 2 pcs	2 pcs	
a1	b1	c1	d1	e1
				
M6*25mm 48 pcs	M6*35mm 23 pcs	M6*50mm 32 pcs	M6 55 pcs	M6 32 pcs
f1	g1	h1	i1	j1
				
16 pcs	8 pcs	M6 2 pcs	M6 1 pc	8 pcs

Assembly Instruction

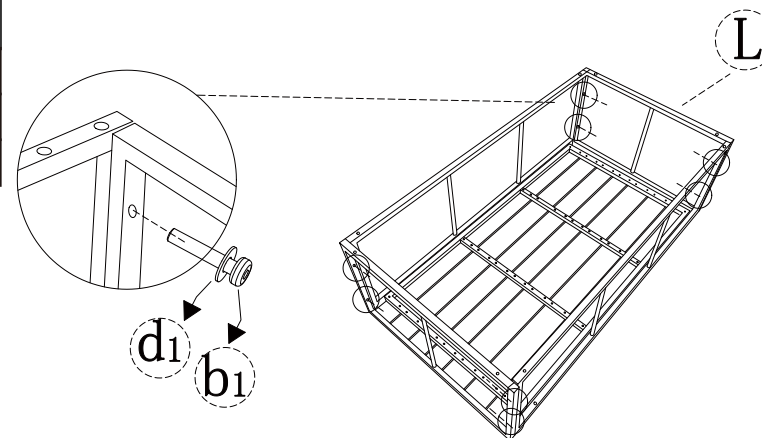
Table Assembly

Step 2

L*2

b₁*8

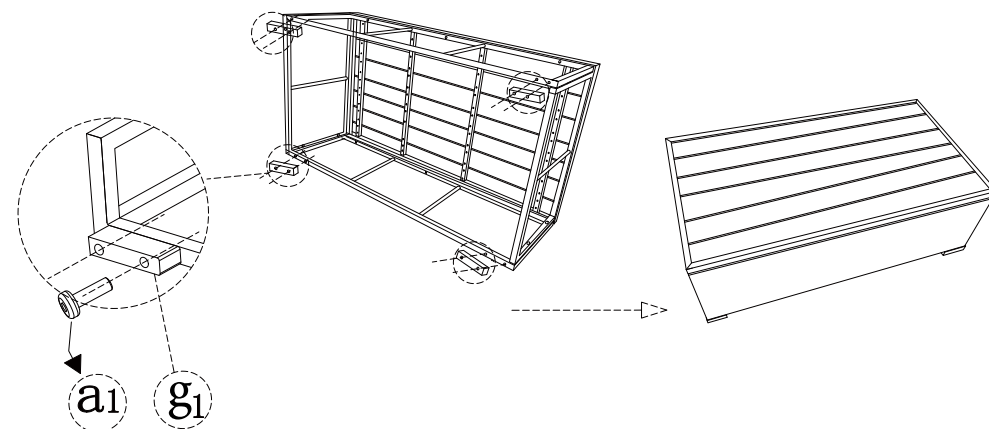
d₁*8



Step 3

a₁*8

g₁*4



Assembly Instruction

Step 3

F*1

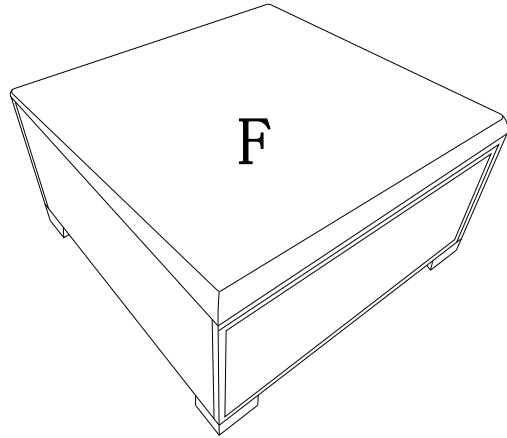


Table Assembly

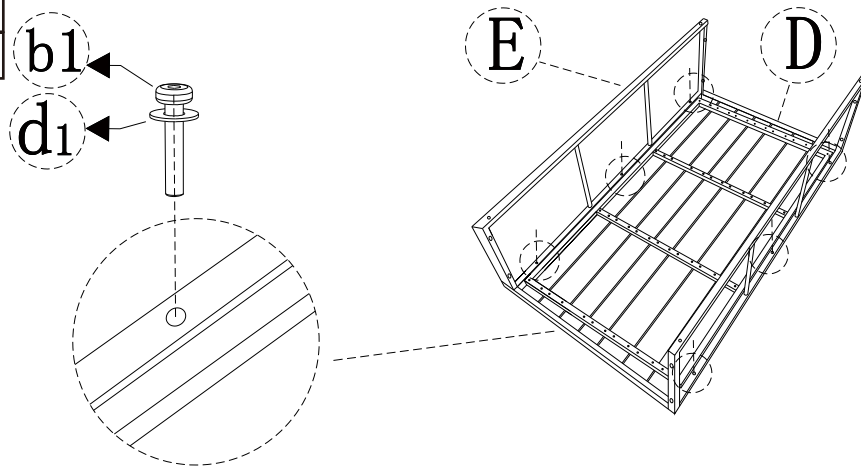
Step 1

D*1

E*2

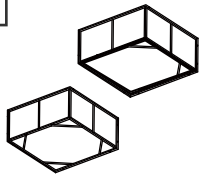
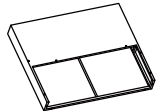


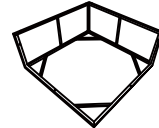

b₁*6

d₁*6



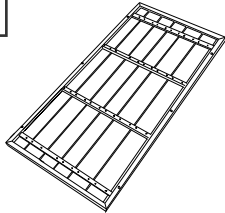
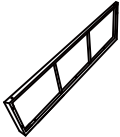
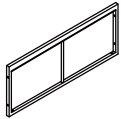
Assembly Instruction

Parts List Box B

A		B		I	 seat cushion
	2 pcs		2 pcs		2 pcs
J	 back cushion	M		F	 ottoman cushion
	2 pcs		1 pc		1 pc

Assembly Instruction

Parts List Box C

D	E	L
		
1 pc	2 pcs	2 pcs

You will receive totally 3 boxes, please make sure you get 1x A box, 1xB box and 1xC box before assembly. Just feel free to chat us if you have any problems, we will try our best to help you solve the issue.

Single Sofa Assembly

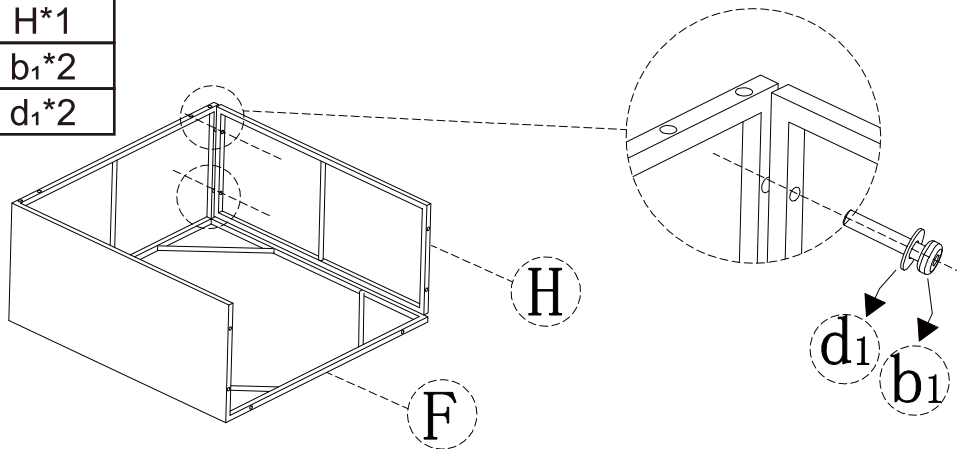
Step 1

F*1

H*1

b₁*2

d₁*2



3

Assembly Instruction

Ottoman Assembly

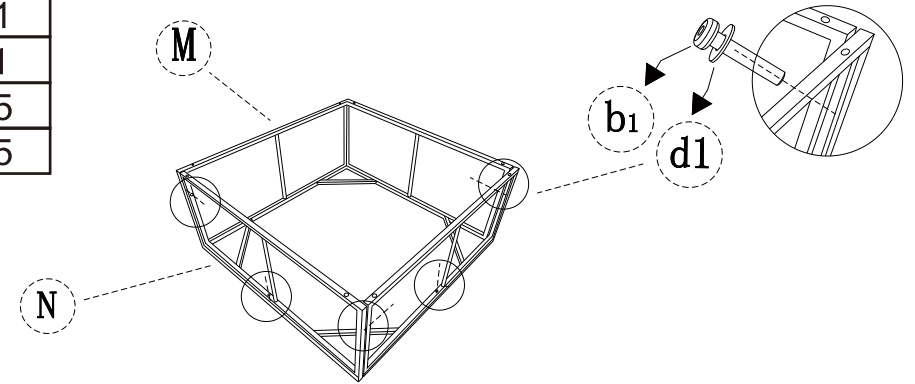
Step 1

M*1

N*1

b₁*5

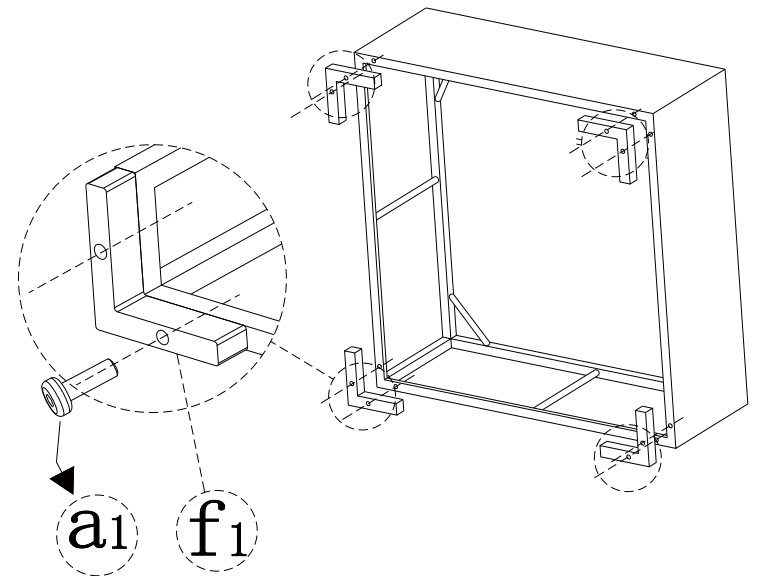
d₁*5



Step 2

a₁*8

f₁*4



8

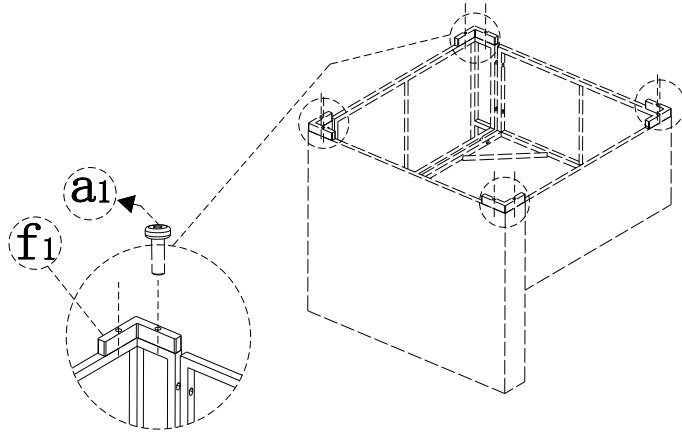
Assembly Instruction

Left Corner Sofa Assembly

Step 3

$a_1 * 16$

$f_1 * 4$

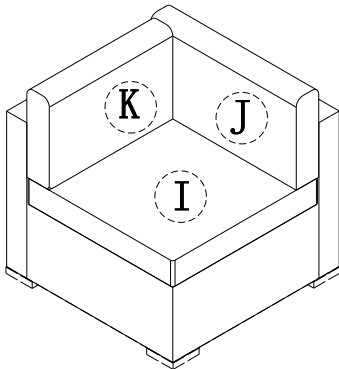


Step 4

$I * 1$

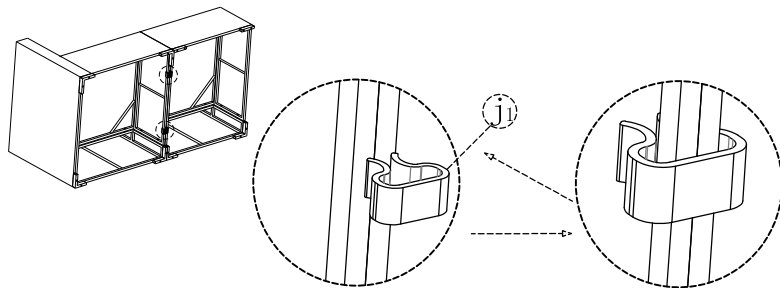
$J * 1$

$K * 1$



Step 5

$j_1 * 2$



* Use clips to keep the sofas connected.

Assembly Instruction

Single Sofa Assembly

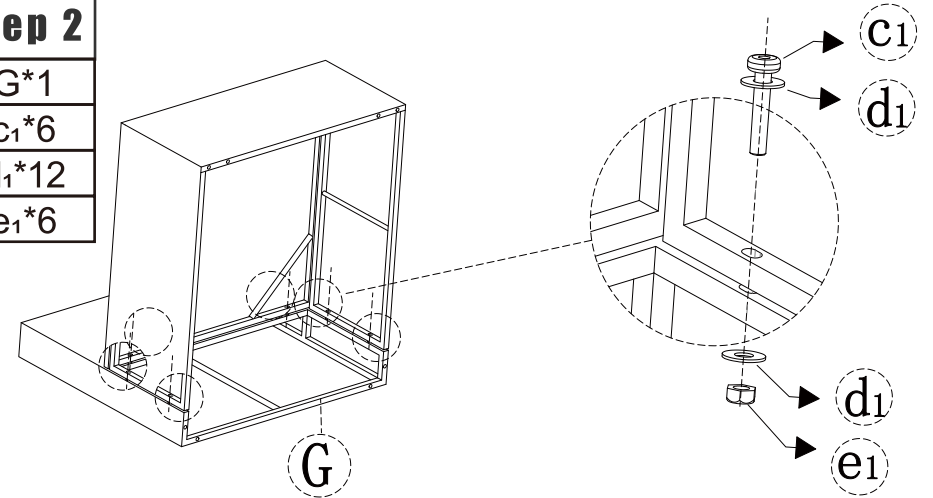
Step 2

$G * 1$

$c_1 * 6$

$d_1 * 12$

$e_1 * 6$

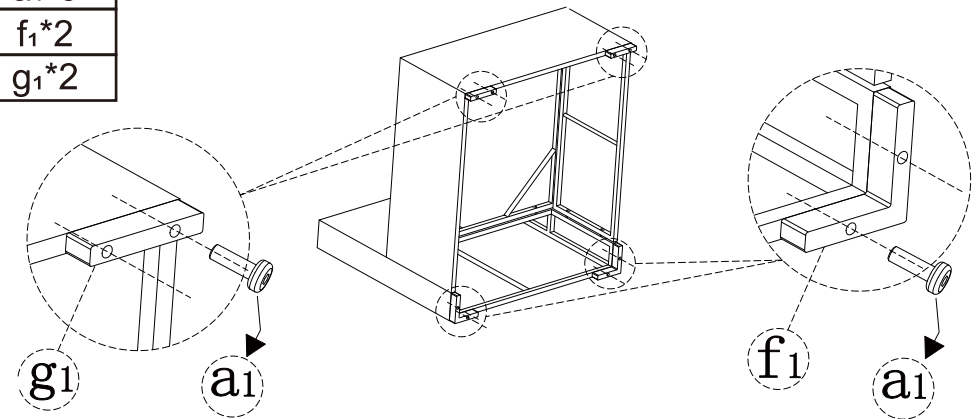


Step 3

$a_1 * 8$

$f_1 * 2$

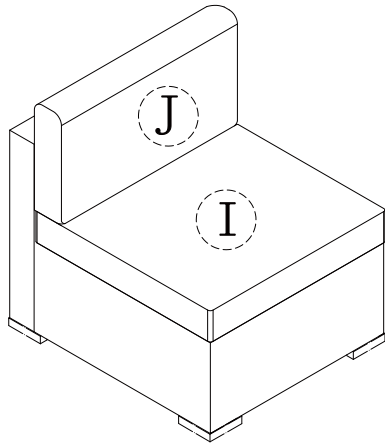
$g_1 * 2$



Assembly Instruction

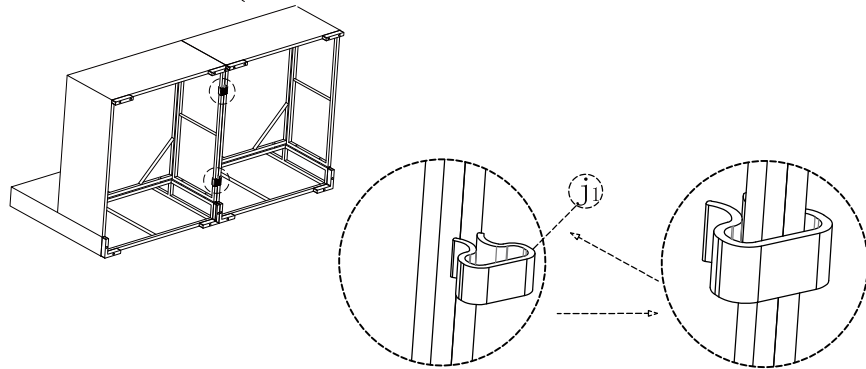
Single Sofa Assembly

Step 4



Step 5

j_1^*2



* Use clips to keep the sofas connected.

5

Assembly Instruction

Left Corner Sofa Assembly

Step 1

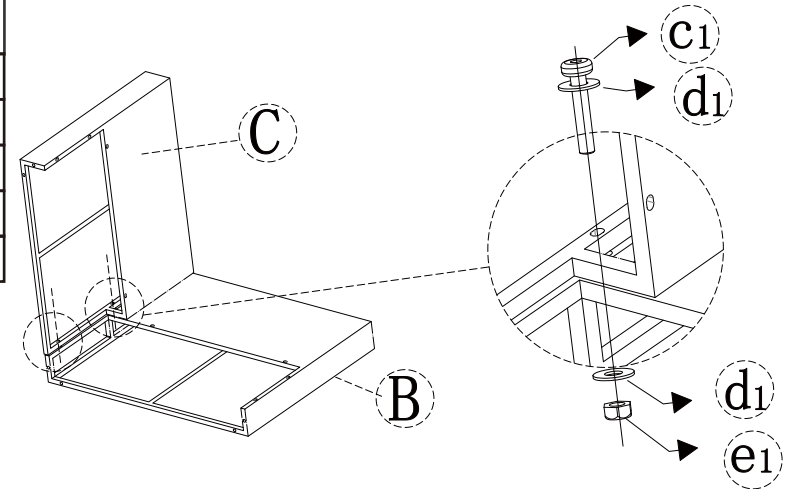
B^*1

C^*1

c_1^*2

d_1^*4

e_1^*2



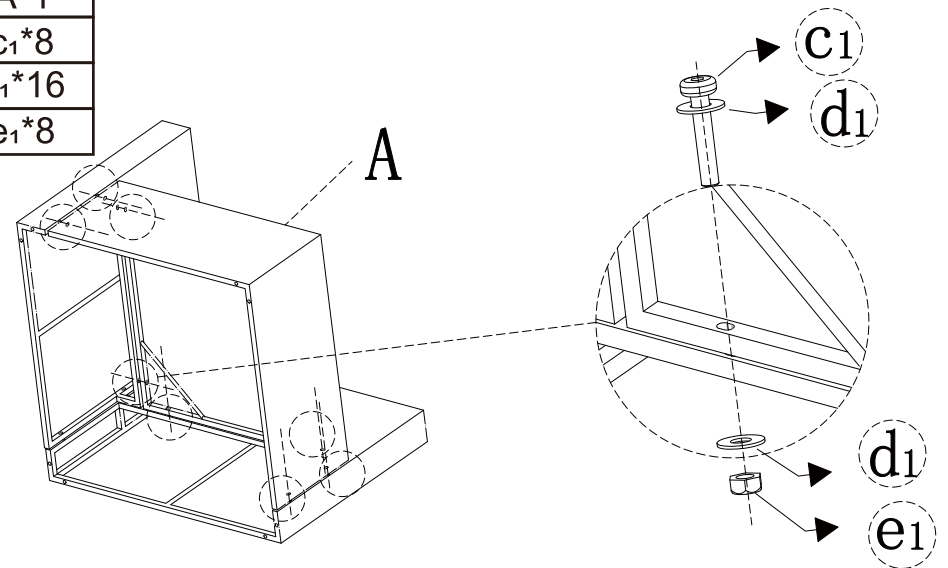
Step 2

A^*1

c_1^*8

d_1^*16

e_1^*8



6