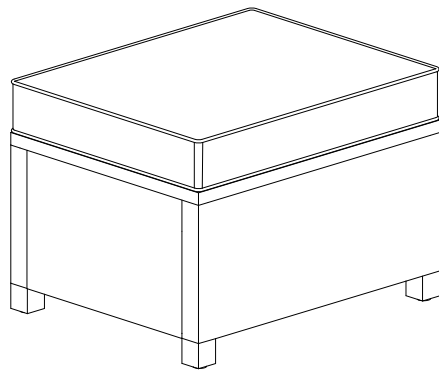
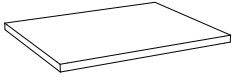
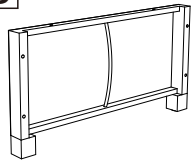
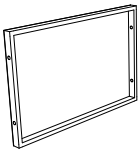
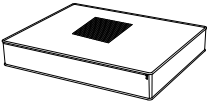



# Outdoor Wicker Ottoman

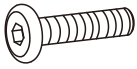




# PART LIST

<b>A</b> 	<b>B</b> 	<b>C</b> 	<b>D</b> 	<b>E</b> 
Top Panel 1 PC	Side Panel 2 PCS	End Panel 2 PCS	Seat Cushion Cover * 1 PC	Seat Cushion Core 1 PC

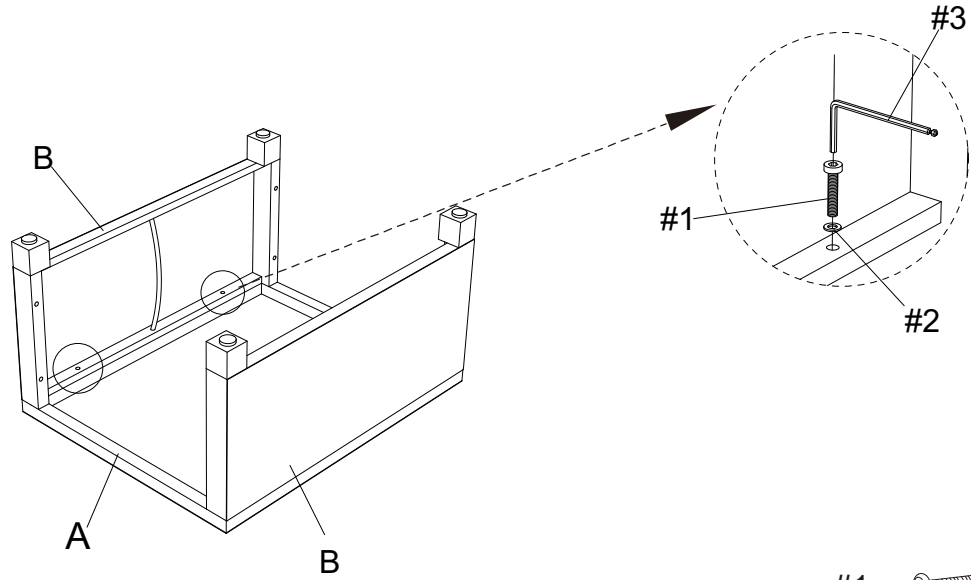
\*Please note cushion covers will ship separately.




# HARDWARE LIST

<b>#1</b> 	<b>#2</b> 	<b>#3</b> 
M6*35mm  Bolt 12 PCS (Extra 2)	M6mm  Flat Washer 12 PCS (Extra 2)	M6mm  Allen Wrench 1 PC

Step 1. Lay top panel (part A) down on a soft flat surface, such as carpet. Attach side panels (part B) to top panel (part A) using bolts (part #1), flat washers (part #2) and allen wrench (part #3).

NOTE: Please do not fully tighten bolts until unit is fully assembled.

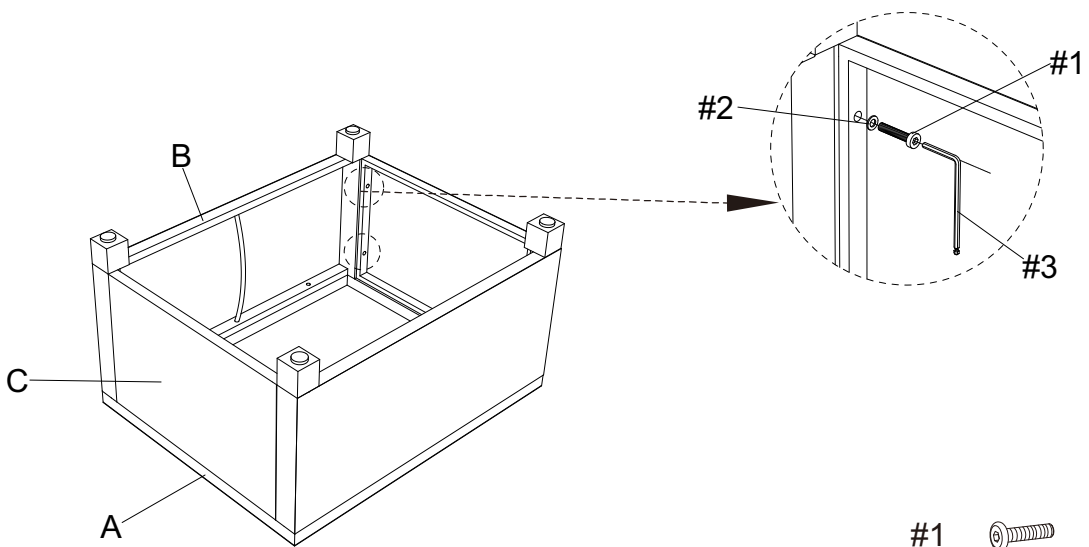





- |    |   |    |
|----|---|----|
| #1 |  | x4 |
| #2 |  | x4 |
| #3 |  | x1 |

Step 2. Attach end panels (part C) to top panel (part A) and side panels (part B) using bolts (part #1), flat washers (part #2) and allen wrench (part #3).

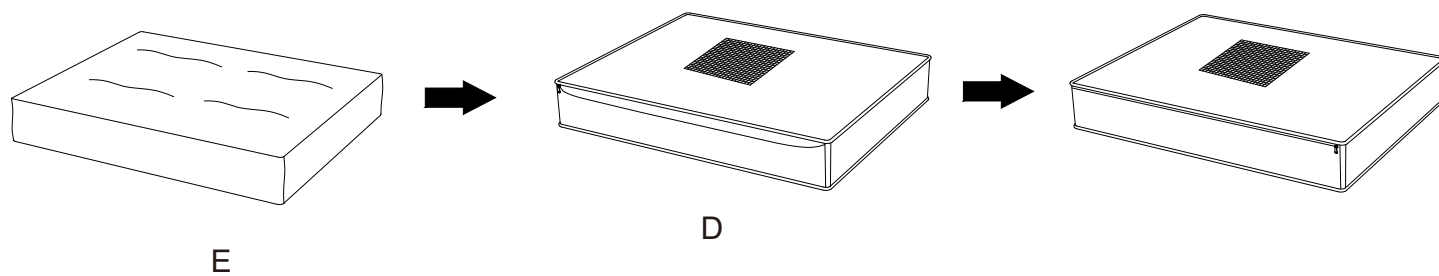
NOTE: Please fully tighten all bolts at this time.

It is important to adjust levelers once fully assembled and upright. Extend adjustable leveler until it's firmly in contact with the floor. If relocating, adjust leveler as needed until it's firmly in contact with the floor in new location.



- |    |   |    |
|----|---|----|
| #1 |  | x8 |
| #2 |  | x8 |
| #3 |  | x1 |

Step 3. Insert seat cushion core (part E) into seat cushion cover (part D).



Step 4. Place seat cushion as shown below.

