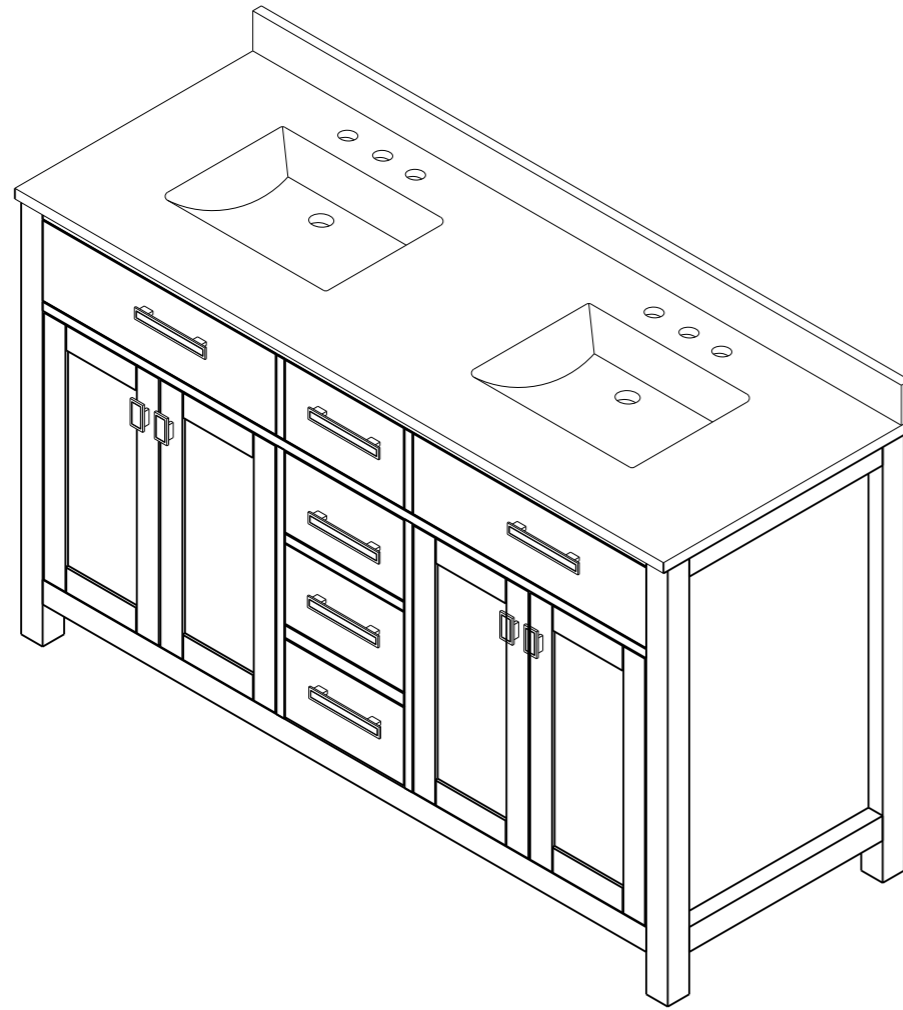


BATHROOM VANITY COLLECTION

ONE EIGHT 60 INSTALLATION MANUAL



Installation Manual

1. Carefully read the instructions before starting the Installation.
2. This vanity should be installed by an experienced Plumber.
3. Drain pipe and drain trap are not supplied. Connect to an existing drain pipe.

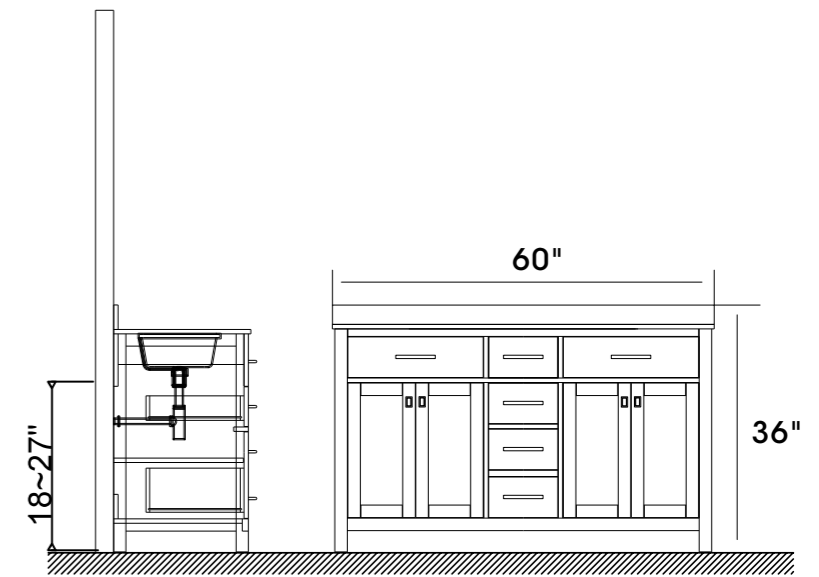
If you are missing any part, please stop and contact us immediately at: service24houronline@gmail.com

951-433-9027

408-728-6543

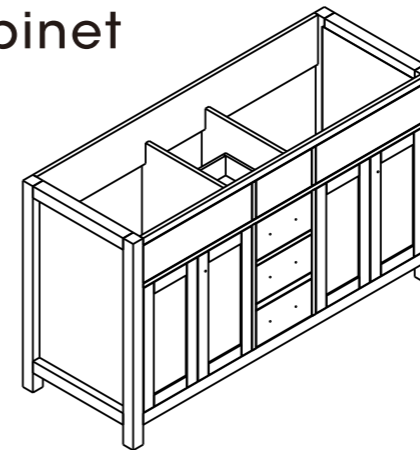
PARTS LIST

Prior to installation, please check the items you have received against the packing list. Report any missing items to your local dealer immediately. Protect all surfaces from sharp objects, high heat sources, direct prolonged sunlight and chemical hazards.

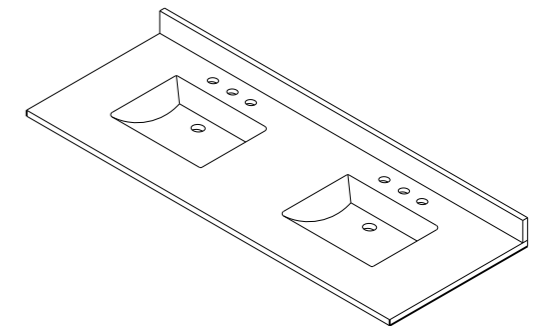


Professional installation is recommended.

Cabinet



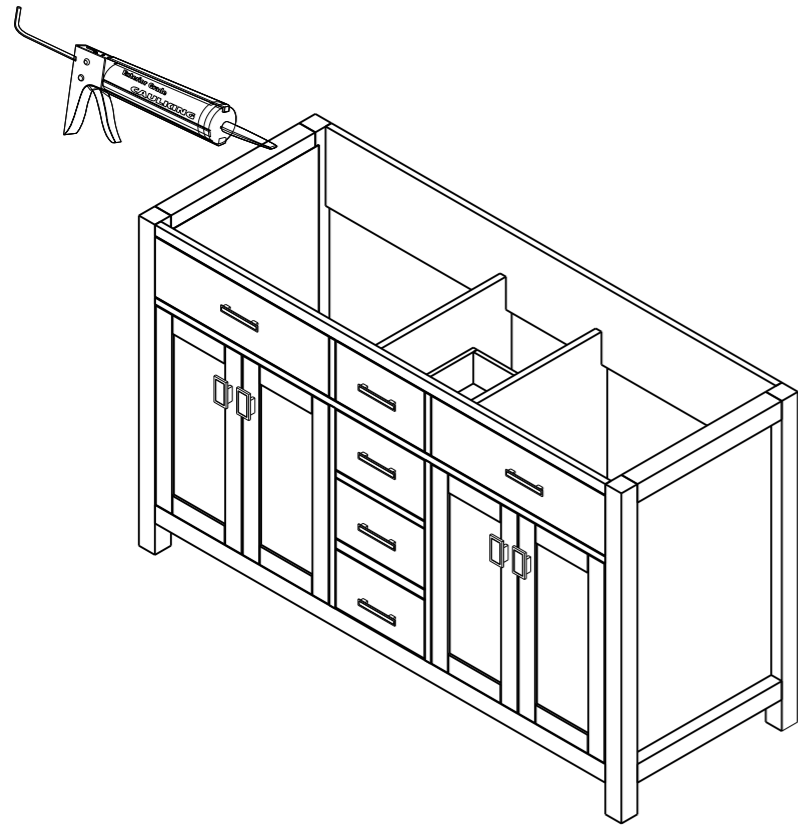
Top



REQUIRED TOOLS (not supplied)

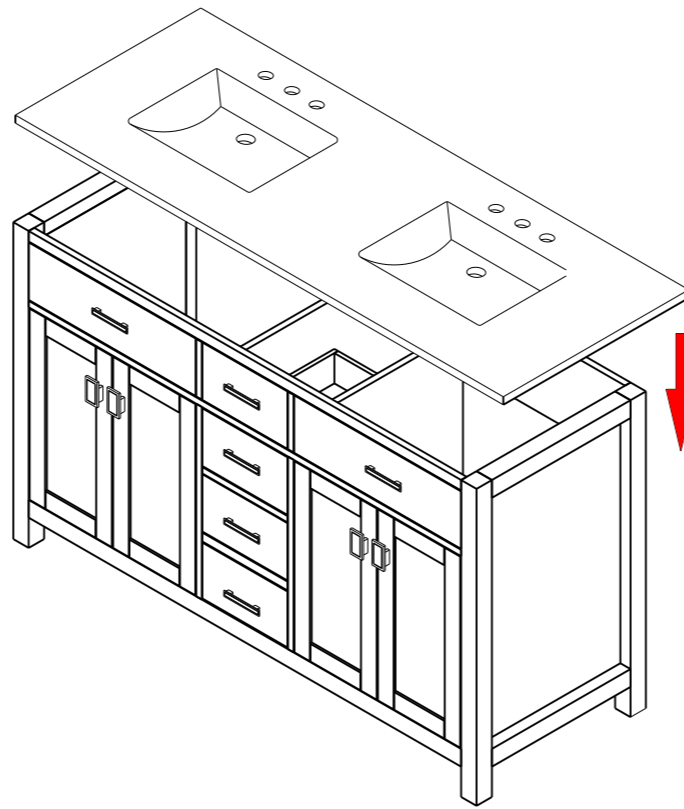


Top installation



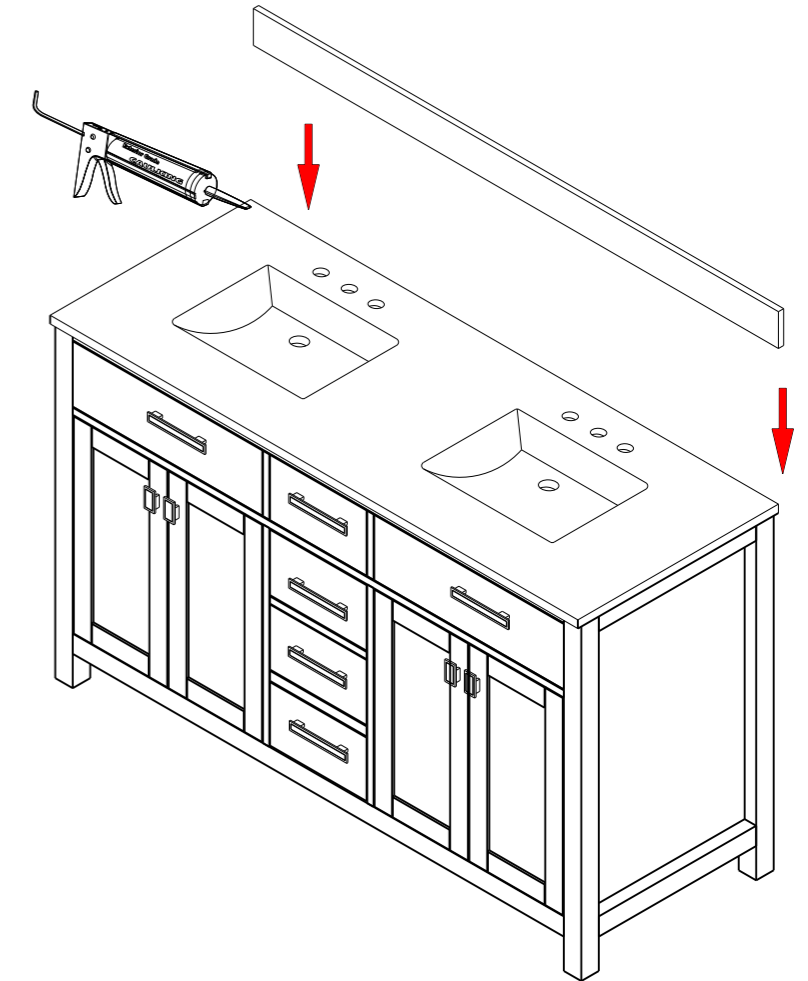
Apply adhesive around the top edges of the cabinet

STEP 1



Carefully place the top over the cabinet

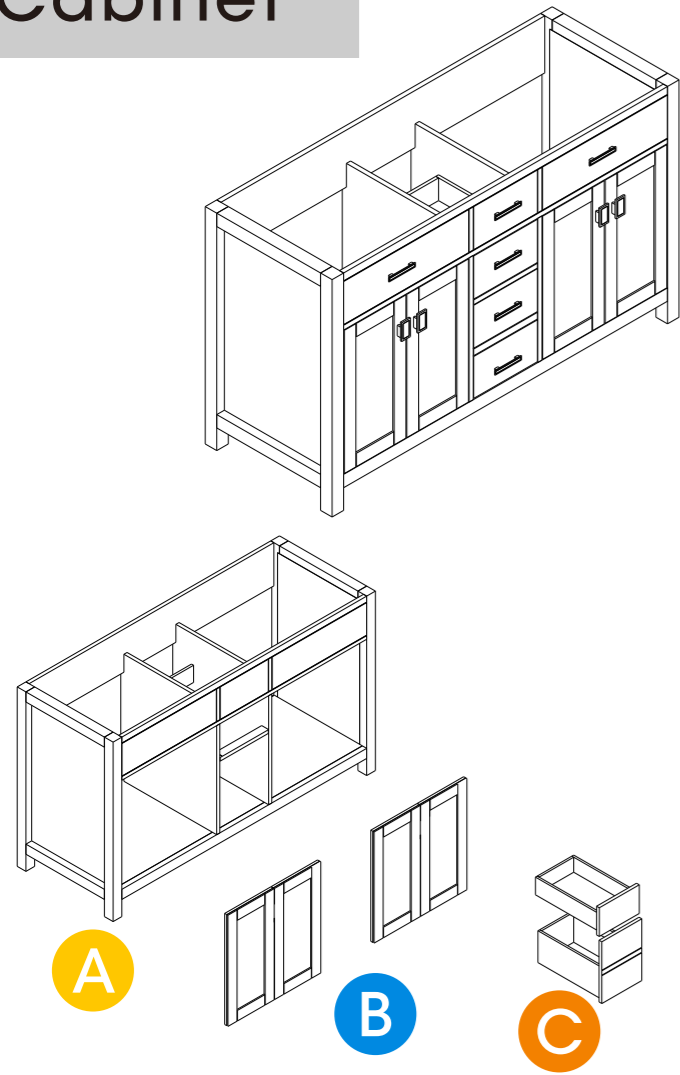
STEP 2



Align and center

STEP 3

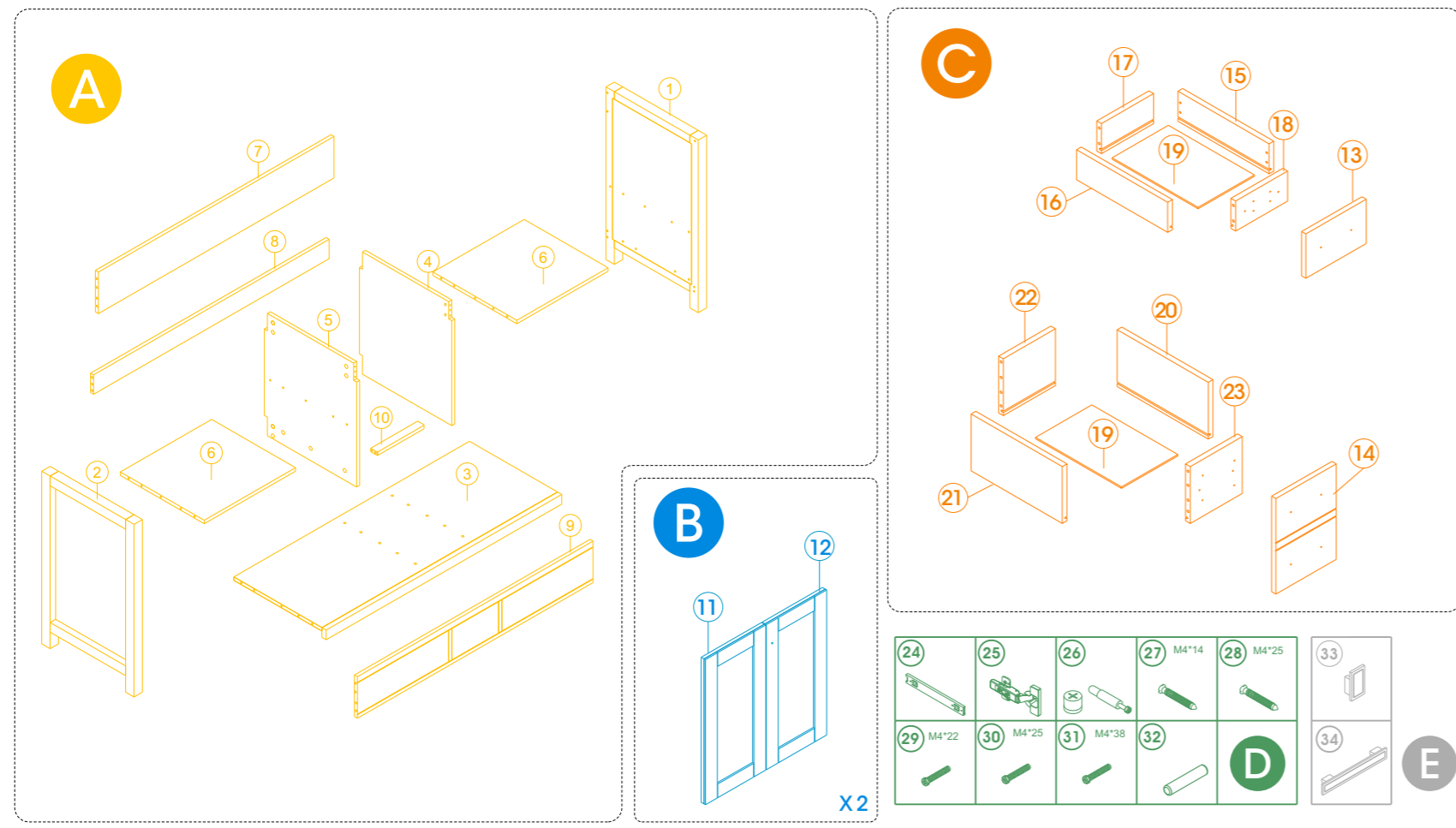
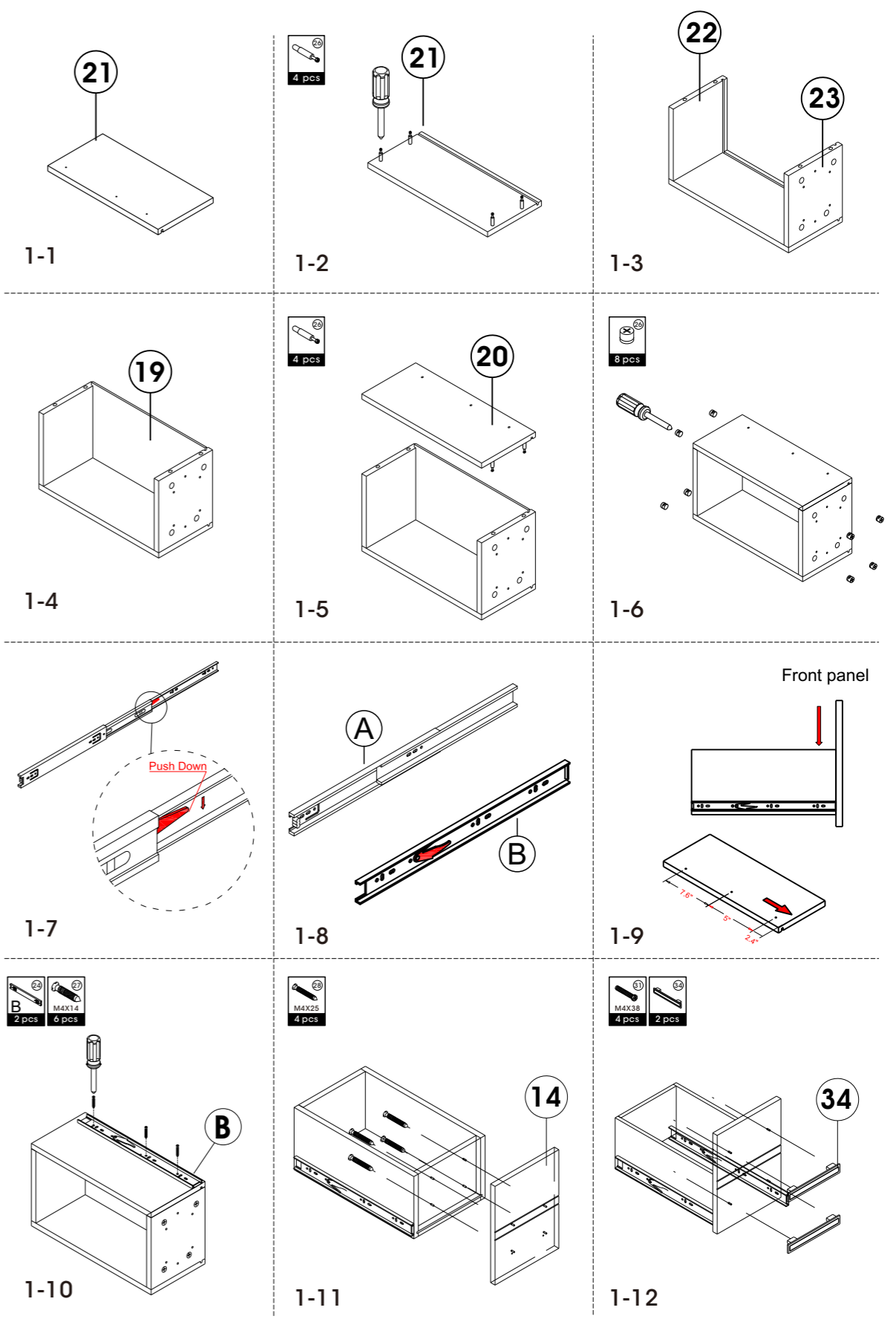
Cabinet



PART	NO.	Description	Quantity	Size			
A	Cabinet Frame	1	Right Side Board	1	35" * 21.6" * 21.6"		
		2	Left Side Board	1	35" * 21.6" * 21.6"		
		3	Bottom Board	1	43.3" * 20.6" * 21.6"		
		4	Connect Board 1	1	25.2" * 21.6" * 0.7"		
		5	Connect Board 2	1	25.2" * 21.6" * 0.7"		
		6	Fixed Shelf	2	20.9" * 20.9" * 0.7"		
		7	Back Board 1	1	43.3" * 8.4" * 0.7"		
		8	Back Board 2	1	43.3" * 3.9" * 0.7"		
		9	False Drawer	1	43.3" * 8.4" * 0.7"		
		10	Connect Board 2	1	10.5" * 2.4" * 0.7"		
B	Door	11	Door (left)	2	21" * 10.3" * 0.8"		
		12	Door (right)	2	21" * 10.3" * 0.8"		
C	Drawer	13	Drawer Front 1	1	10.3" * 6.4" * 0.7"		
		14	Drawer Front 2	1	13.9" * 10" * 0.7"		
		15	Right Side Board For Drawer	1	15.7" * 3.9" * 0.6"		
		16	Left Side Board For Drawer	1	15.7" * 3.9" * 0.6"		
		17	Back Board For Drawer	1	8.2" * 3.9" * 0.6"		
		18	Front Board For Drawer	1	8.2" * 3.9" * 0.6"		
		19	Bottom Board For Drawer	2	15" * 8.5" * 0.2"		
		20	Right Side Board For Drawer	1	15.7" * 7" * 0.6"		
		21	Left Side Board For Drawer	1	15.7" * 7" * 0.6"		
		22	Back Board For Drawer	1	8.2" * 7" * 0.6"		
		23	Front Board For Drawer	1	8.2" * 7" * 0.6"		
		D	Install Fittings	24	Drawer Glides	4	15.7" * 2" * 0.5"
				25	Hinge (door)	8	3.9" * 2.4" * 1.54"
26	Three-in-one Connector			71	∅0.57" * 0.46"		
27	Drawer Glide Screws			76	M4 * 14		
28	False Drawer Screws			8	M4 * 25		
29	Knob Screws			8	M4 * 22		
30	Handle Screws			4	M4 * 25		
31	Handle Screws			4	M4 * 38		
32	Wood Plug			33	∅0.31" * 1.26"		
E	Handle & Knob			33	Knob	4	1.6" * 1" * 0.8"
		34	Handle	6	5.2" * 1" * 0.8"		

INSTALLATION STEPS

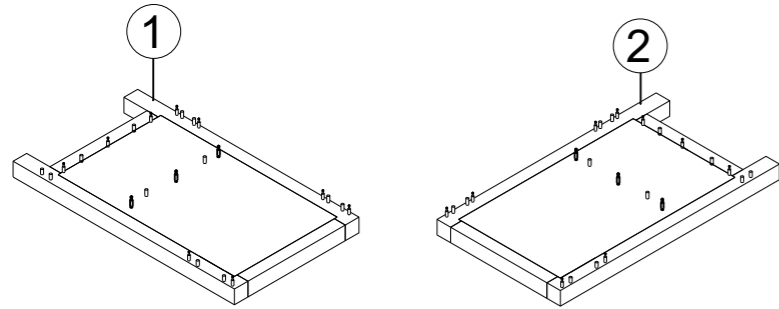
STEP 1 | Drawer



INSTALLATION STEPS

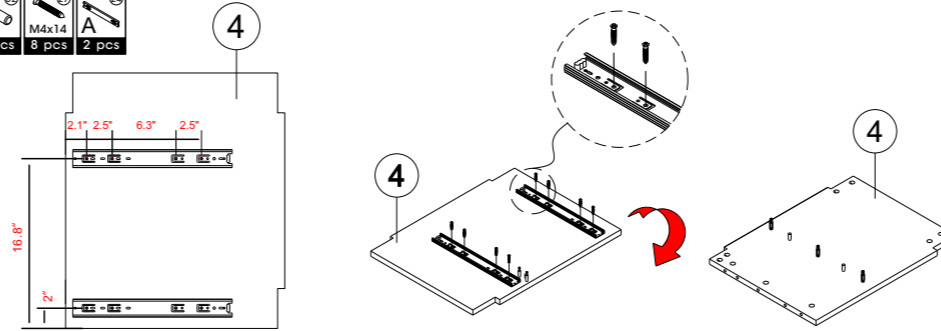
STEP 2 Cabinet frame

12 pcs 12 pcs



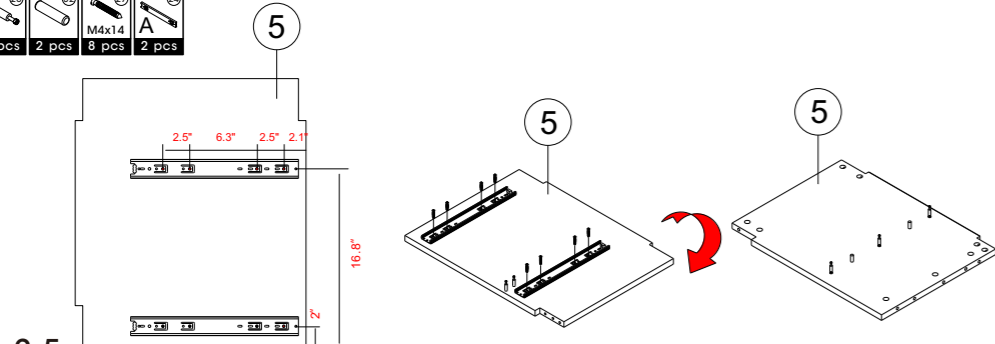
2-1

5 pcs 2 pcs 8 pcs 2 pcs



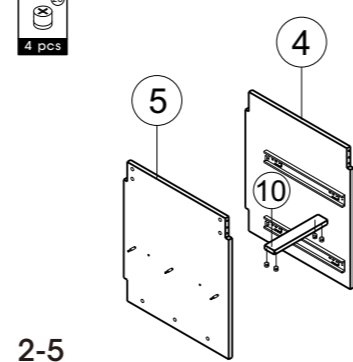
2-2

5 pcs 2 pcs 8 pcs 2 pcs



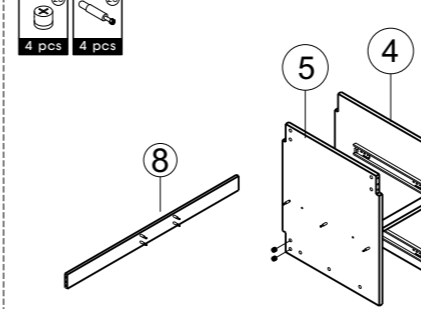
2-5

4 pcs



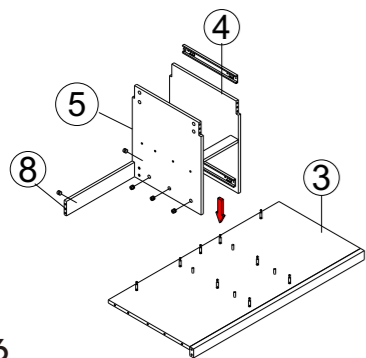
2-5

4 pcs 4 pcs

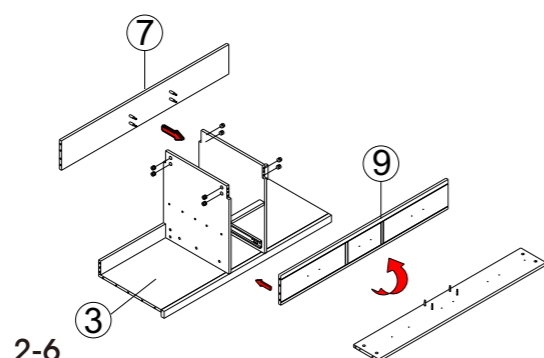


2-5

6 pcs

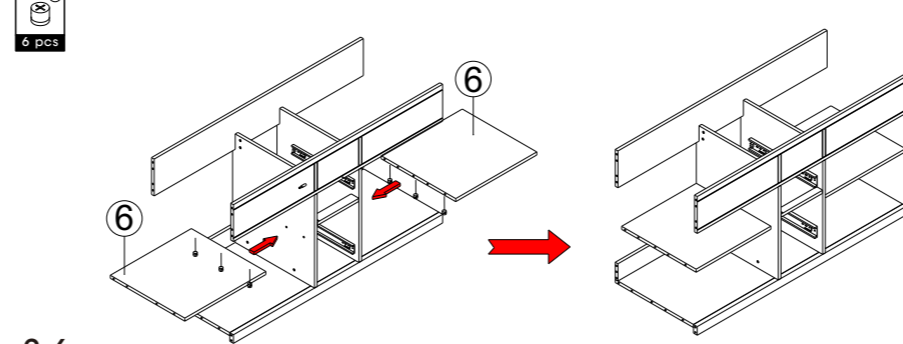


2-6



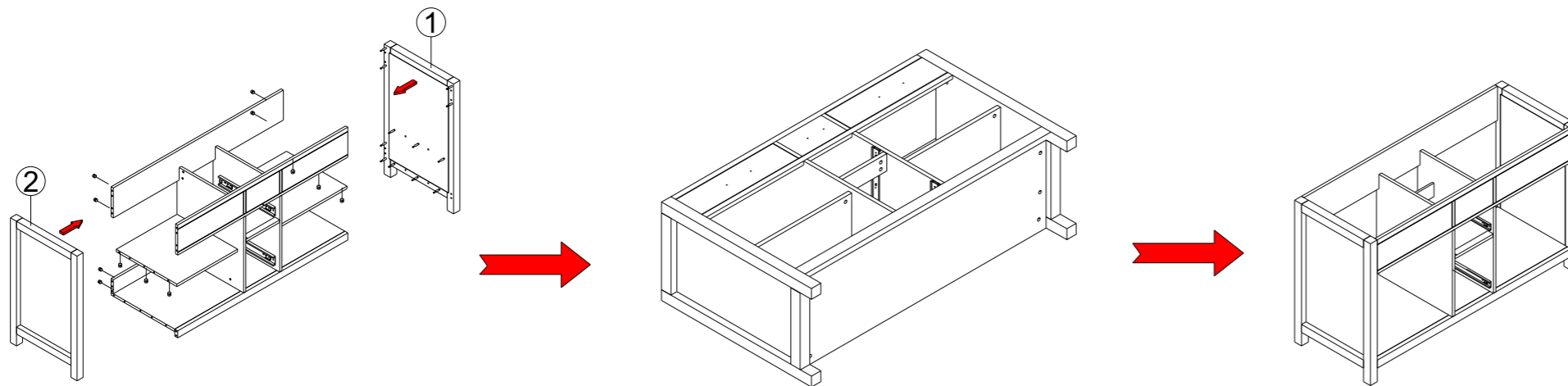
2-6

6 pcs



2-6

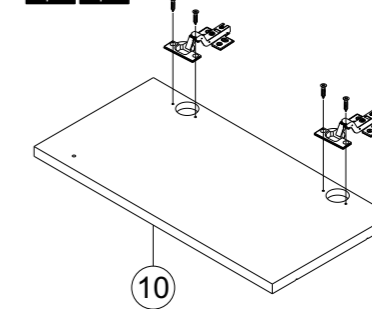
22 pcs



2-10

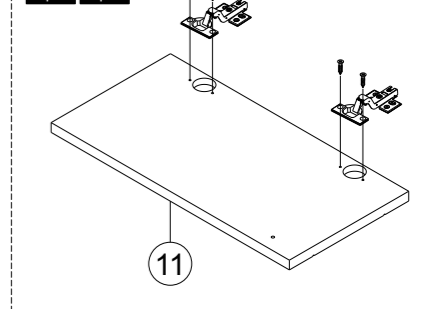
STEP 3 Door

2 pcs 4 pcs



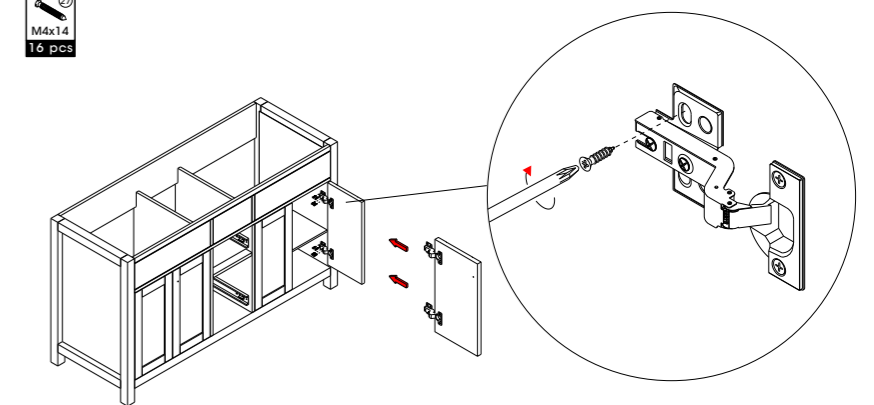
3-1

2 pcs 4 pcs



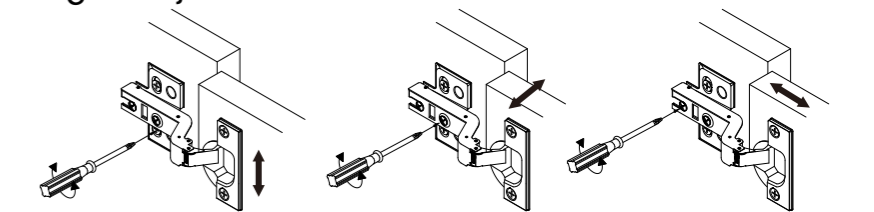
3-2

M4x14 16 pcs



3-3

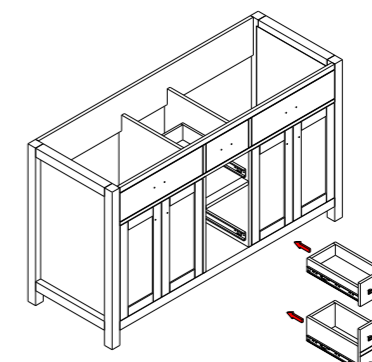
Hinges adjustment



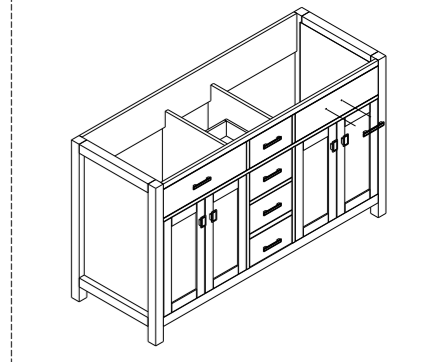
3-4

STEP 4 Drawer and Finish

M4x22 10 pcs M4x25 4 pcs 6 pcs 4 pcs



4-1



4-2