

INSTRUCTION MANUAL

52-Inch Wicker Fire Pit Table

WARRANTY TERMS FOR FIRE PIT TABLE

Thank you for purchasing our fire pit table. We are pleased to offer a one-year warranty on the quality of the product. This warranty covers any manufacturing defects or malfunctions that may occur within the first year of ownership.

Please note that the fire pit table cover that comes as a complimentary gift with the fire pit table is not included in the warranty coverage.

For any warranty inquiries or claims, please contact our customer service team with proof of purchase and a detailed description of the issue. We will do our best to assist you and ensure your satisfaction with our product.

Customer Service Email: customerservice@auridalex.com



IF YOU SMELL GAS

- Do not attempt to light appliance.
- Extinguish flames and disconnect tank.
- Move people away from the immediate area.

www.auridalex.com

NOTICE

Please retain these instructions for future reference.

- For outdoor use only; do not use in a building, garage, or any other enclosed area.
- Fire pit operates at reduced efficiency in temperatures below 40°F or wind velocity higher than 10 mph.
- Only use this appliance on a hard and level surface such as concrete or rock.
- Do not use on plastic composite or artificial wood decks.
- Fire pit can be used with a propane tank or natural gas tank.
- Children are not allowed to operate this fire pit.
- Fire pit must be attended by adults at all times. Do not leave children and pets around a fire pit when in use.
- Do not stand on or use any part of this item as a step ladder.
- Fasten screws loosely during initial assembly. Do not firmly tighten the screws until the item is completely assembled.
- Improper adjustment, installation, usage, and maintenance could result in an explosion and cause serious injury or property damage.
- Read and follow all warnings and instructions thoroughly before appliance assembly, service, and use.
- Failure to follow warnings and instructions may cause death, serious injury, or property damage.
- If any parts are missing, broken, damaged, or worn, stop using this product until repairs are made and/or factory replacement parts are installed.
- Do not use this item in a way inconsistent with the manufacturer's instructions as this could void the product warranty.

CALIFORNIA PROPOSITION 65

 **WARNING:** This product can expose you to Carbon monoxide, which is known to the State of California to cause birth defects or other reproductive harm. For more information go to www.P65Warnings.ca.gov

WARNING

- This fire pit produces carbon monoxide which has no odor. Do not use in enclosed area.
- If you smell gas during operation, immediately shut off gas and extinguish flames.
- Do not use a flame to check for gas leaks.
- Do not use this fire pit under trees or near any other unprotected combustible area.
- Fire pit must have a minimum clearance of 72 inches above and 24 inches from the sides. Make sure area is clear and free from combustible objects/constructions.
- Do not connect to a remote gas supply.
- Do not use solid fuel or charcoal on this fire pit.
- Do not burn anything other than what is provided.
- Do not place clothing or flammable materials near the fire pit.
- Fire pit is not intended for cooking.
- Do not place food or eat on the surface of fire pit.
- Be careful when igniting fire pit as flame may flare and cause injury.
- Do not pour water onto any part of the fire pit.
- Keep a safe distance from the fire pit when in use. Do not sit or rest hands/feet on fire pit.
- To avoid burns, do not touch or move any part of this fire pit when in use; wait until it has completely cooled.
- Do not breathe smoke from the fire pit and avoid getting smoke in your eyes.
- Do not alter this appliance. Any alteration can cause a safety hazard.
- Do not use any accessory or fitting other than original accessories and fittings.
- Keep all electrical cords and hoses away from heated surfaces.
- Routinely check hoses for wear or abrasions. Do not use if hoses are damaged.
- Be aware that items stored under the fire pit will be subject to radiant heat and could be damaged.

Warnings About Propane Cylinder

You must provide propane gas and a propane cylinder. Use a standard 20 lb. propane cylinder only.

Use this heater only with a propane vapor withdrawal supply system. See Chapter 5 of the Standard for Storage and Handling of Liquefied Petroleum Gas, ANSI/NFPA 58. Your local library or fire department should have this book.

The minimum permissible gas supply pressure of 10 W.C. is the required for purpose of input adjustment.

The minimum hourly of 50,000 Btu is the required input rating for a heater for automatic operation at ratings less than the full input rating.

The pressure regulator and hose assembly supplied with the appliance must be used.

The installation must conform to local codes, or in the absence of local codes, to the National Fuel Gas Code, ANSI Z223.1.

A dented, rusted or damaged propane cylinder may be hazardous and should be checked by your cylinder supplier. Never use a propane cylinder with a damaged valve connection.

The cylinder used must include a collar to protect the cylinder valve.

Do not store a spare LP gas cylinder under or near this appliance.

Never fill the cylinder beyond 80 percent full.

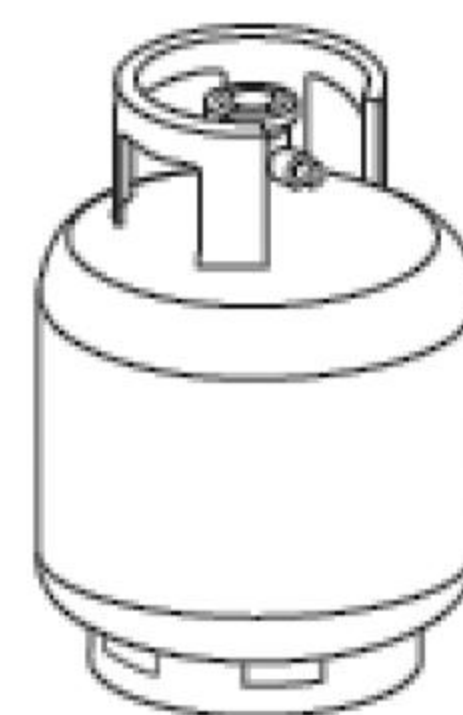
For appliances designed to use a CGA No.791 connection:

Place the dust cap on the cylinder valve outlet whenever the cylinder is not in use.

Only install the type of dust cap on the cylinder valve that is provided with the cylinder valve.

Other types of caps or plugs may result in leakage of propane.

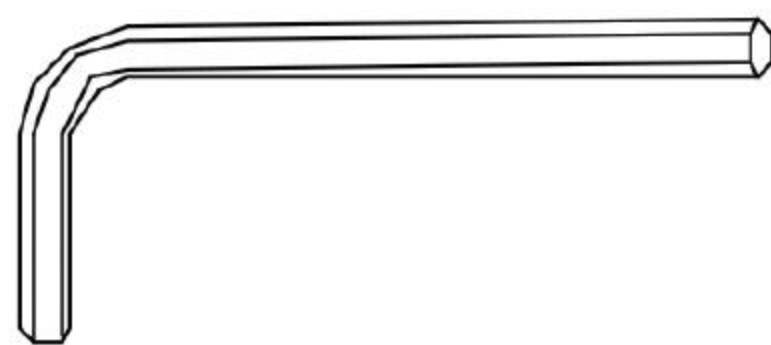
Note: Gas supply pressure: 25 to 250



Standard 20 lb. tank

PREPARATION

Tools Required (Included)

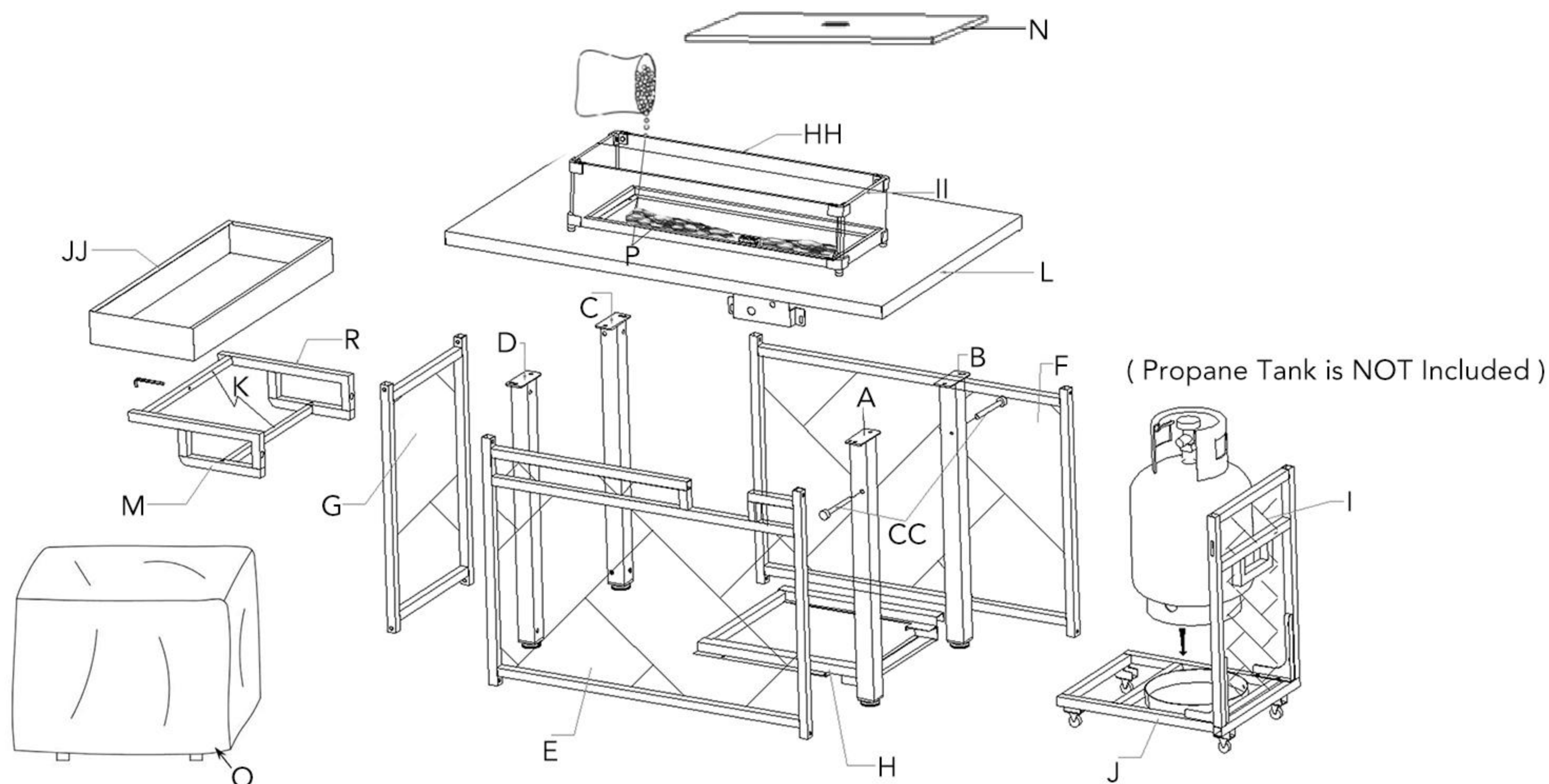


BB

Allen Wrench (Provided)

- Select an area where you will assemble this product. To protect components, choose a smooth non abrasive surface that's free of cracks or openings.
- Spread out all the parts.
- Tighten all hardware connections by hand first. Before completing each step, go back and fully tighten all hardware. Be careful not to over-tighten, which could damage the surface or strip threads.
- For the best results, complete each in the order presented.

Supplied Parts



NO.	DESCRIPTION	QUANTITY
A	Leg A	1
B	Leg B	1
C	Leg C	1
D	Leg D	1
E	Side Panel [E]	1
F	Side Panel [F]	1
G	Side Panel [G]	1
H	Support Frame[H]	1
I	Door	1
J	Rolling Cylinder Holder	1

NO.	DESCRIPTION	QUANTITY
K	Connector Rod[K]	2
L	Table Top	1
M	Connector (right)[M]	1
N	Cover Lid	1
P	Fire Glass Beads	1
R	Connector (left)[R]	1
JJ	Storage Shelf	1
HH	Glass Wind Guard-Long[HH]	2
II	Glass Wind Guard-Short[II]	2
O	Waterproof Cover	1

Supplied Parts and Hardware

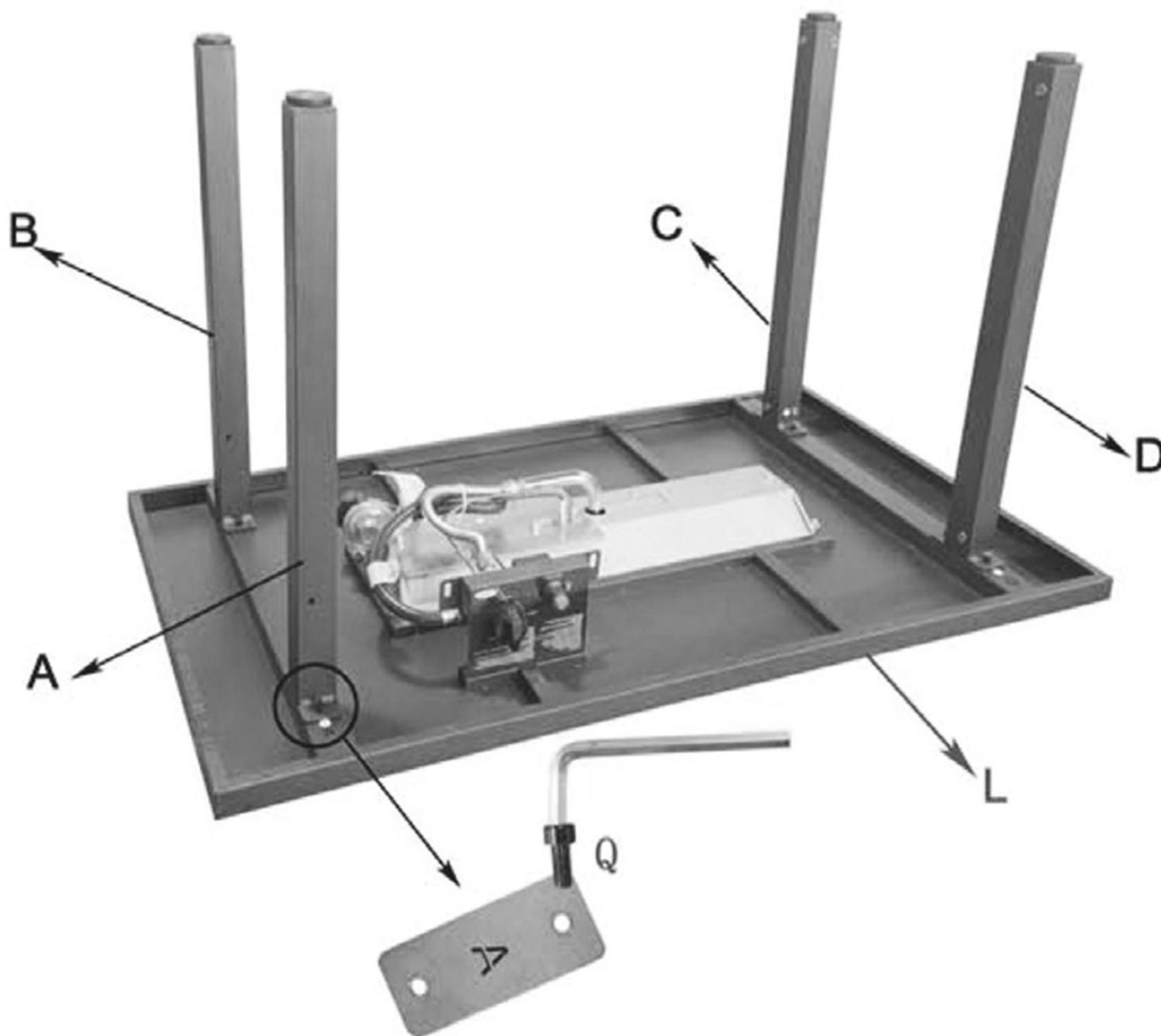
Supplied Hardware

Q	Bolt M6X12mm 26PCS		AA	Bolt M6X35mm 14PCS		CC	Latch 2PCS	
DD	Bolt M5X25mm 1PCS		EE	Connect Joint 2PCS		FF	Glass Fitting 4PCS	
GG	Glass Foot 4PCS							

Assembling the table

STEP 1

Attach Legs[A-D] to the table top[L] , with 8pcs M6X12mm bolts[Q].
There are label on the bottom of the table top, Please attach the legs
to the right place.

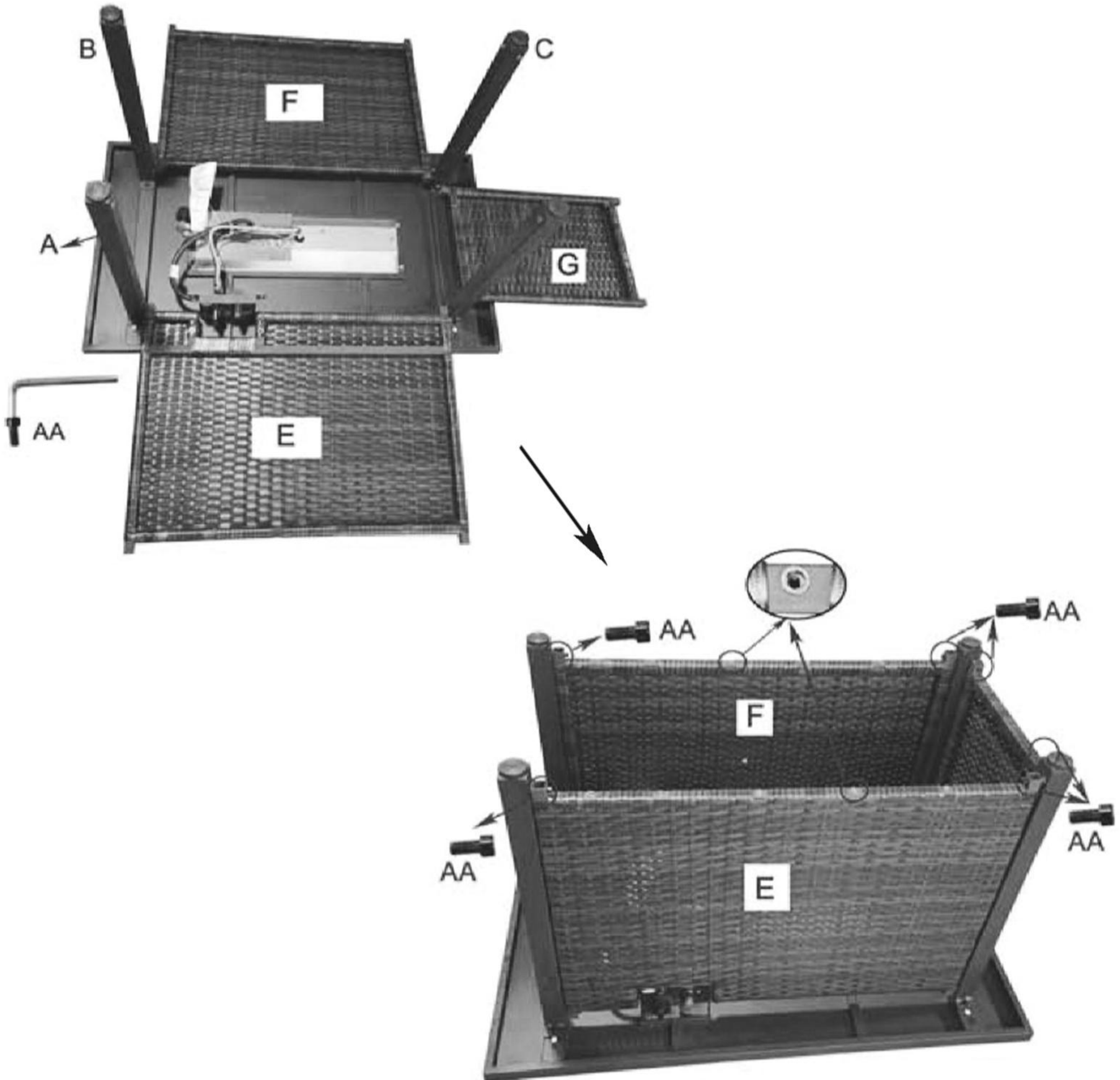


- | | | |
|-------------|-------------|-------------|
| Q x8 | A x1 | B x1 |
| C x1 | D x1 | L x1 |

STEP 2

Attach Side Panel[E/F/G] to the Legs, with 12pcs M6X35mm bolts[AA].
PLS ensure that the Side Panel[E] is placed on the side of legs D and A.

The side which with screw holes facing up

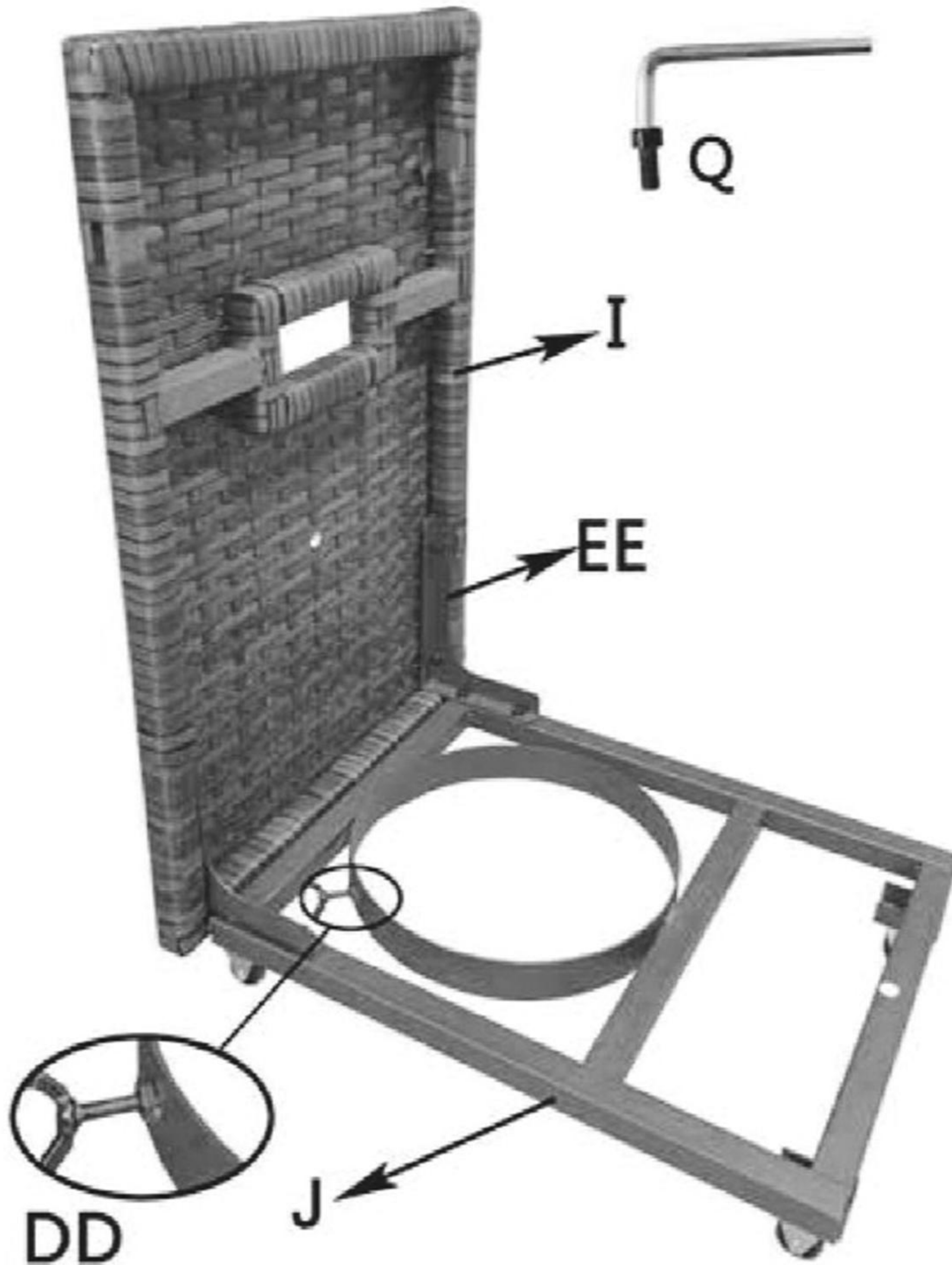


AA x12 **E** x1 **F** x1 **G** x1

STEP 3

Attach the Door [I] to the Rolling Cylinder Holder[J], with 8 pcs M6X12mm bolts[Q] and 2 pcs Connect Joint[EE].

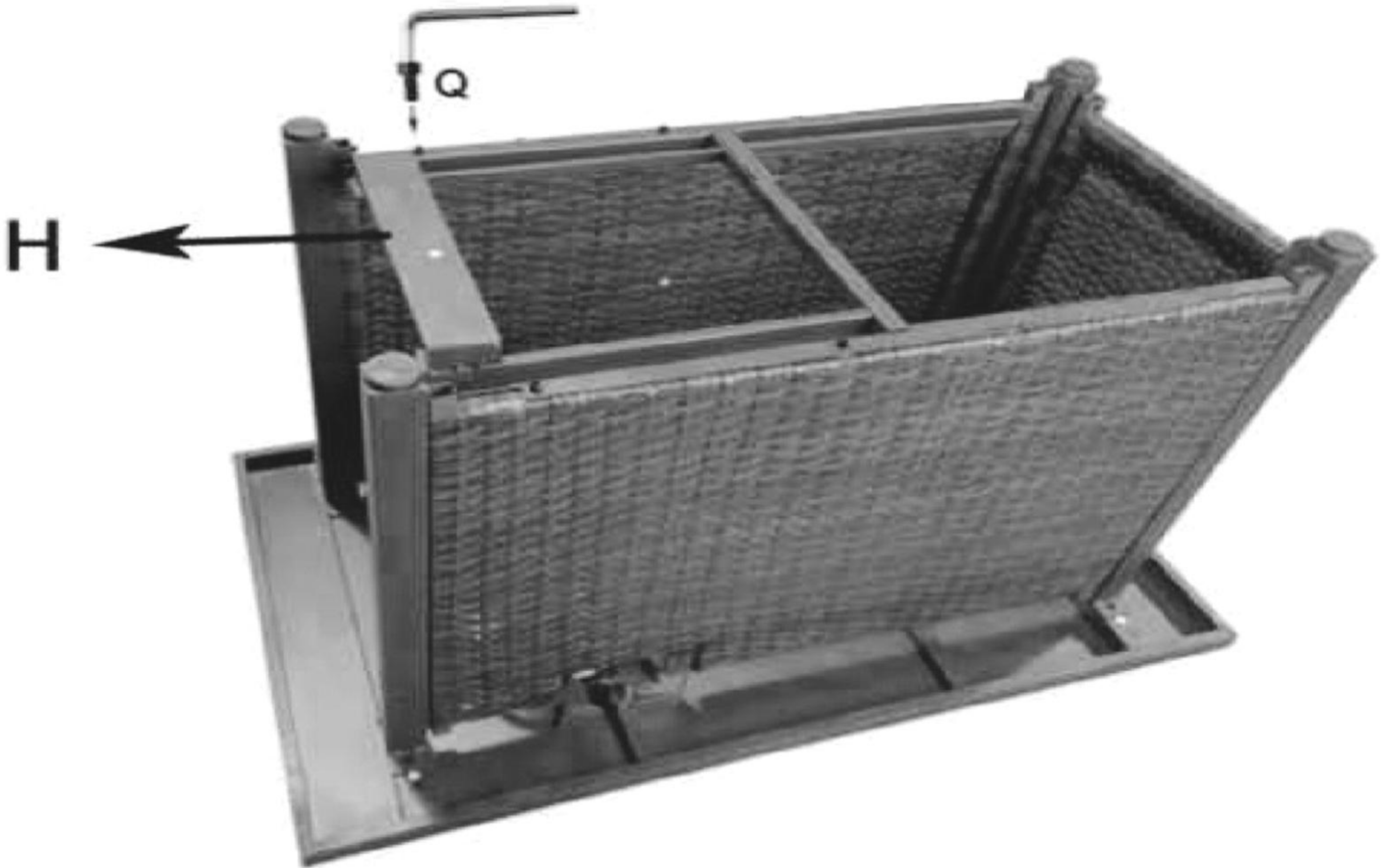
Secure the gas cylinder by tightening clockwise the butterfly screw M5 x 25mm[DD], so that the gas cylinder cannot move from side to side or fall down.



DD x1 **EE** x2 **I** x1 **J** x1 **Q** x8

STEP 4

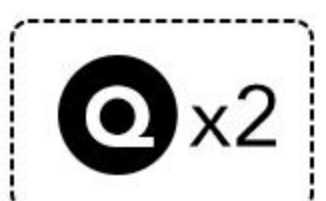
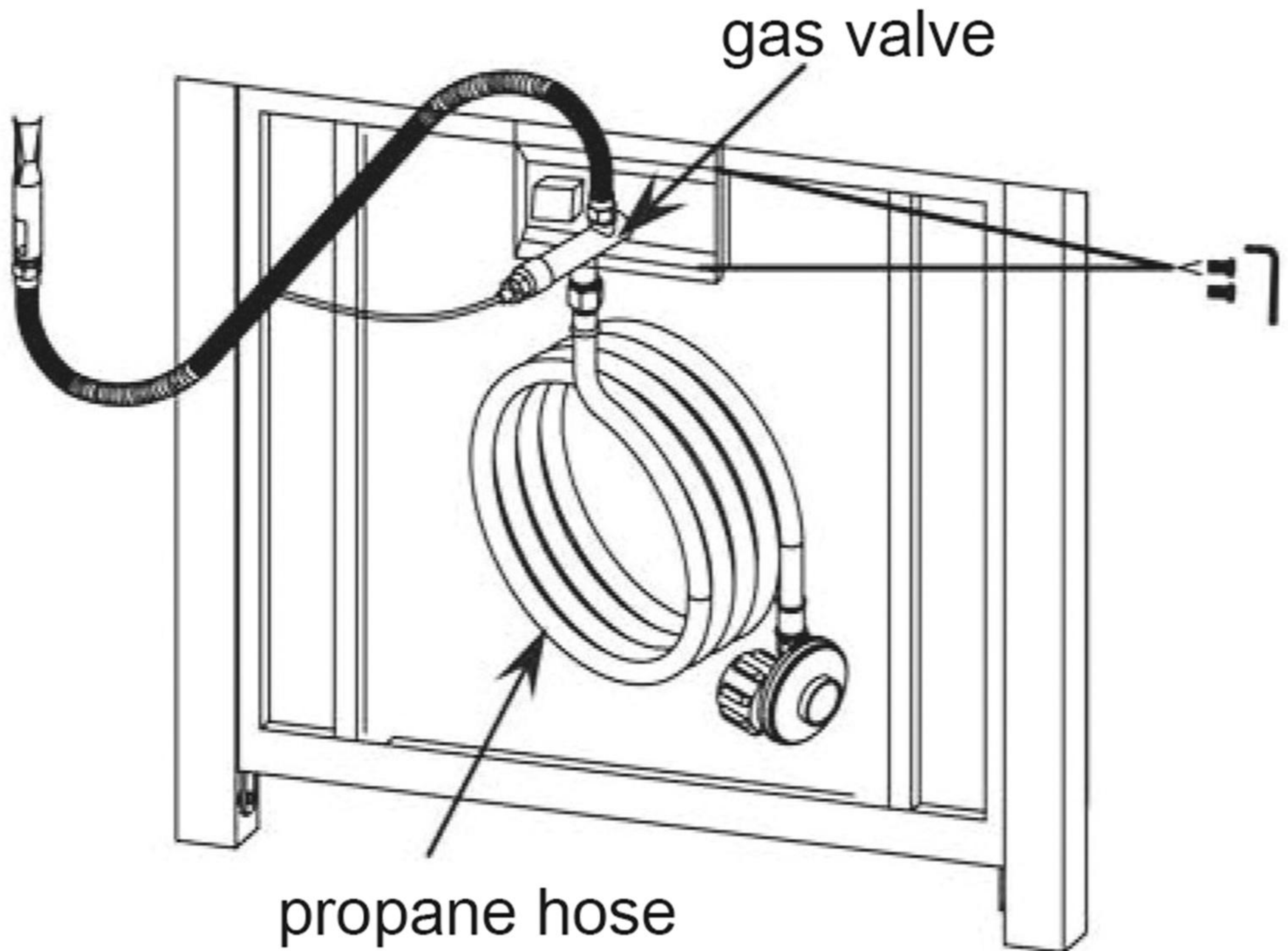
Attach the Support Frame[H] to the Bottom of the Whole Table (between front panel and back panel), with 4 pcs M6X12mm bolts[Q].



H x1 **Q** x4

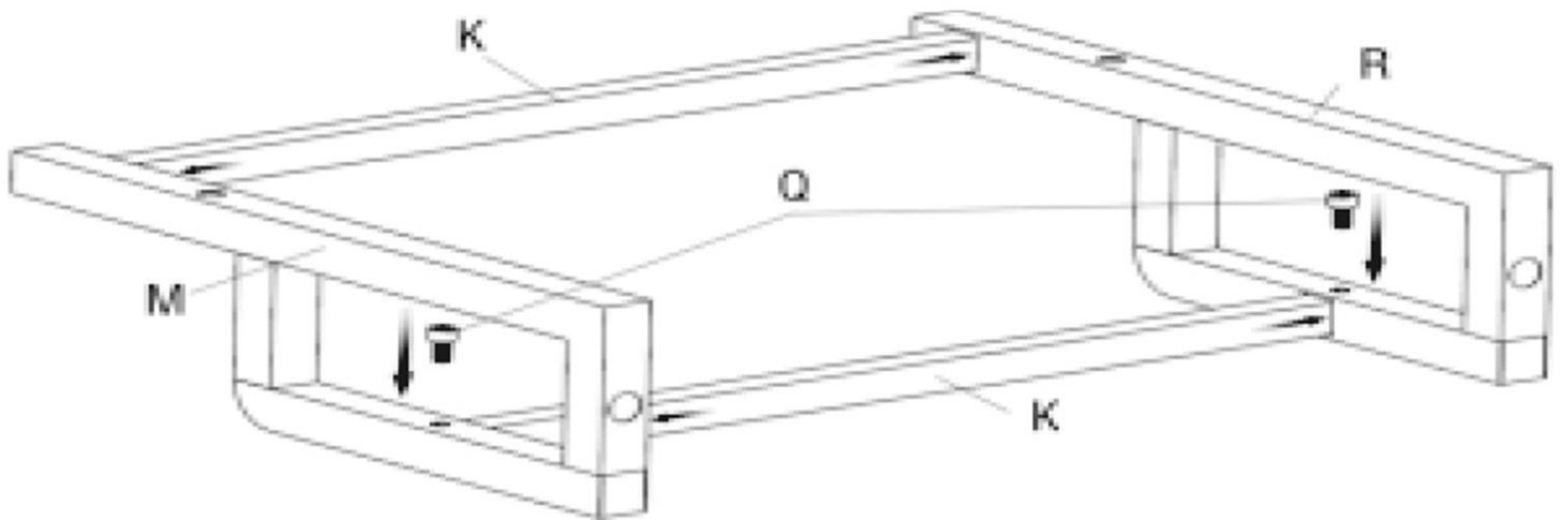
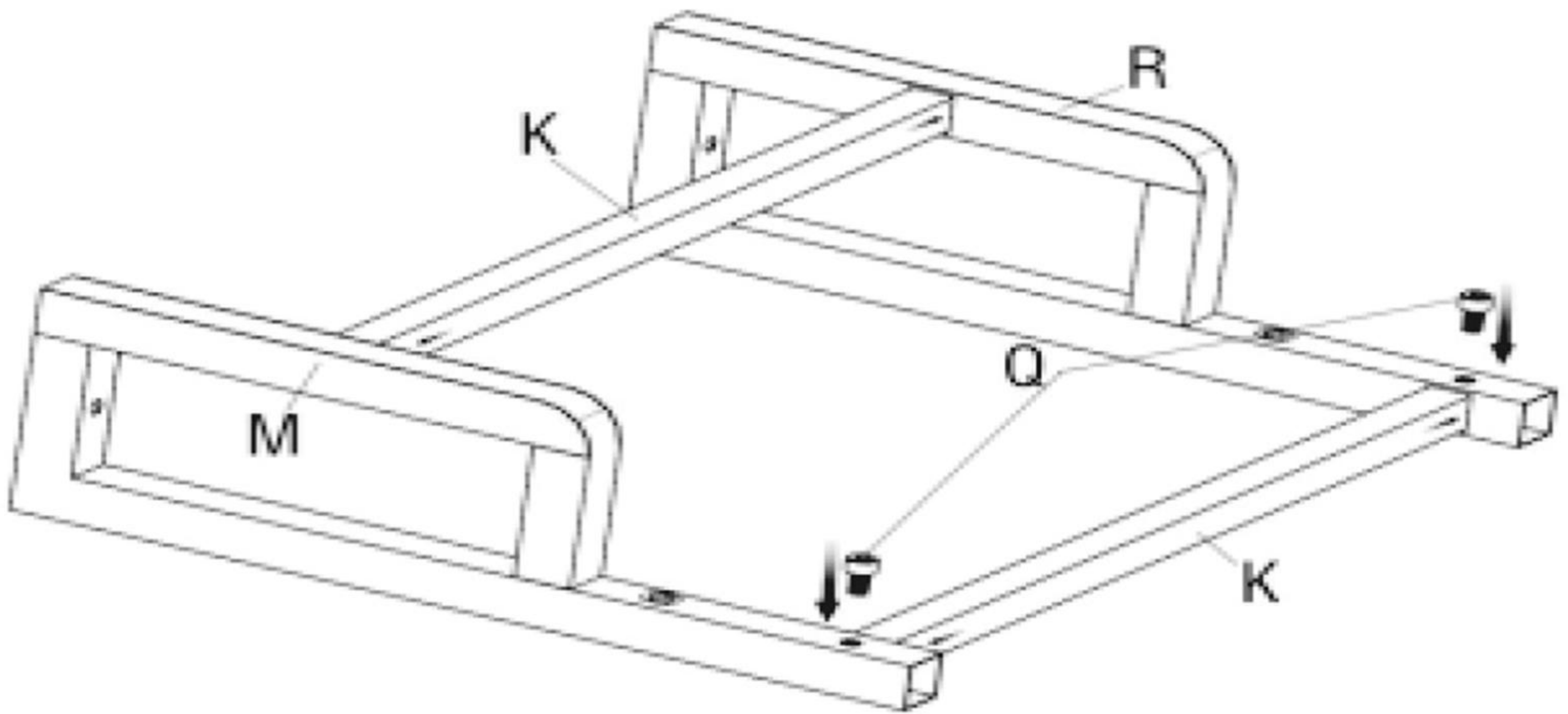
STEP 5

Attach the Control Board that comes with the tabletop [L] to the Small Hole of the Side Panel [E], with 2 pcs M6X12mm bolts[Q].



STEP 6

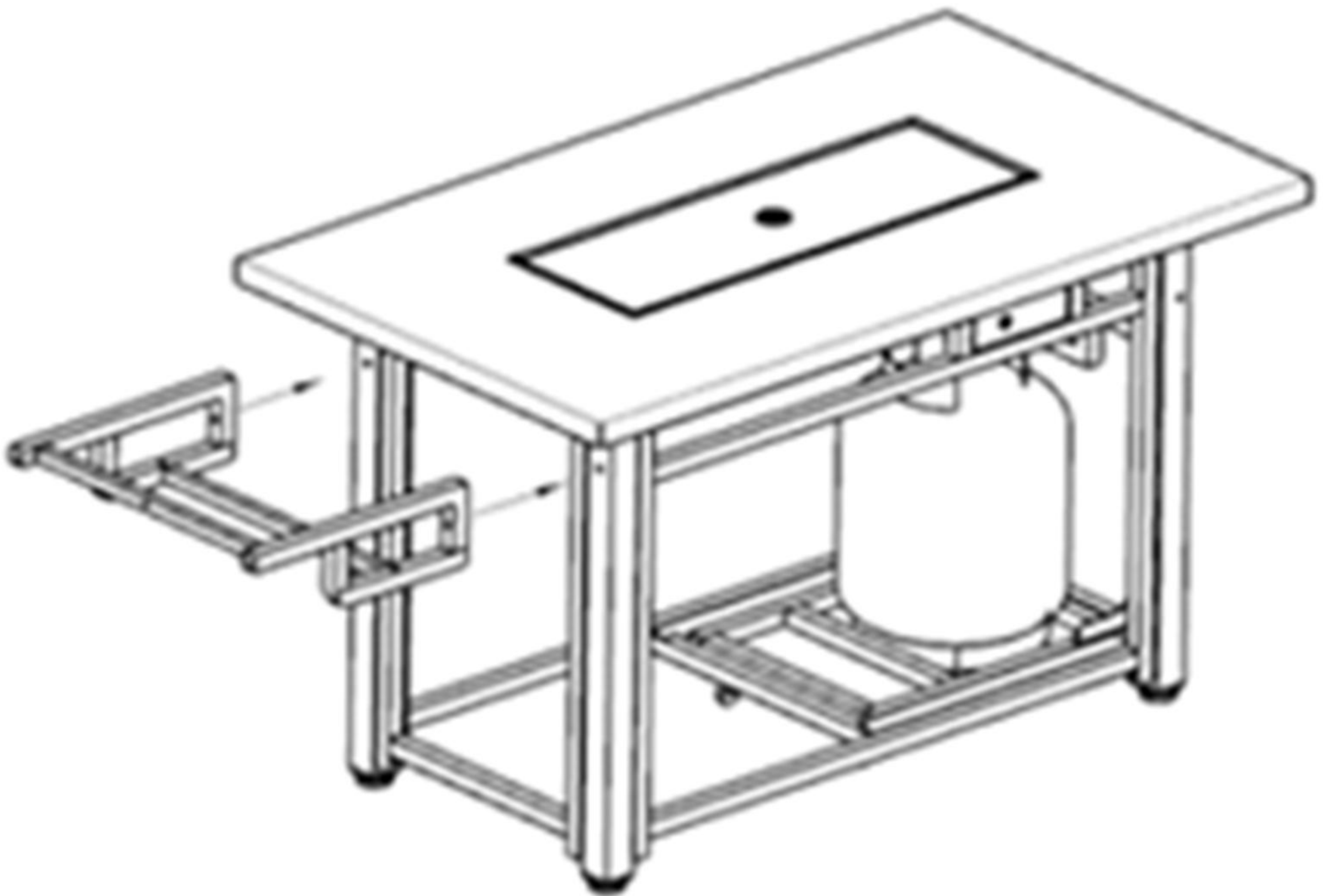
Connect [M] and [R] into a frame, with Connector Rod[K] and 4 pcs M6X12mm bolts[Q].



M x1 **R** x1 **K** x2 **Q** x4

STEP 7

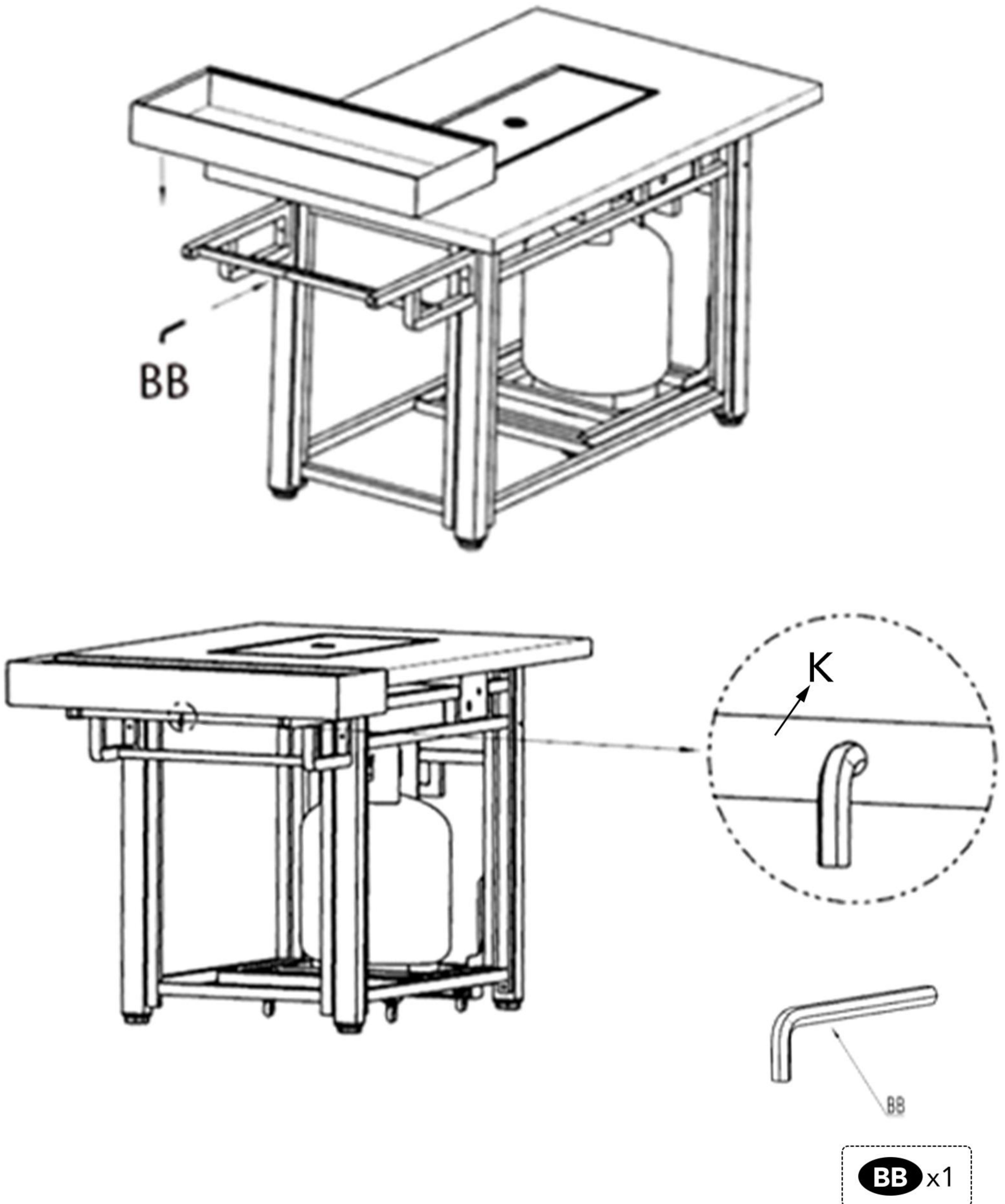
Attach the entire frame completed in the previous step to the table leg [C] and [D] sectors, with 2pcs M6X35mm bolts[AA].



AA x2

STEP 8

Place the storage tray and insert Allen Wrench[BB] into the corresponding hole.

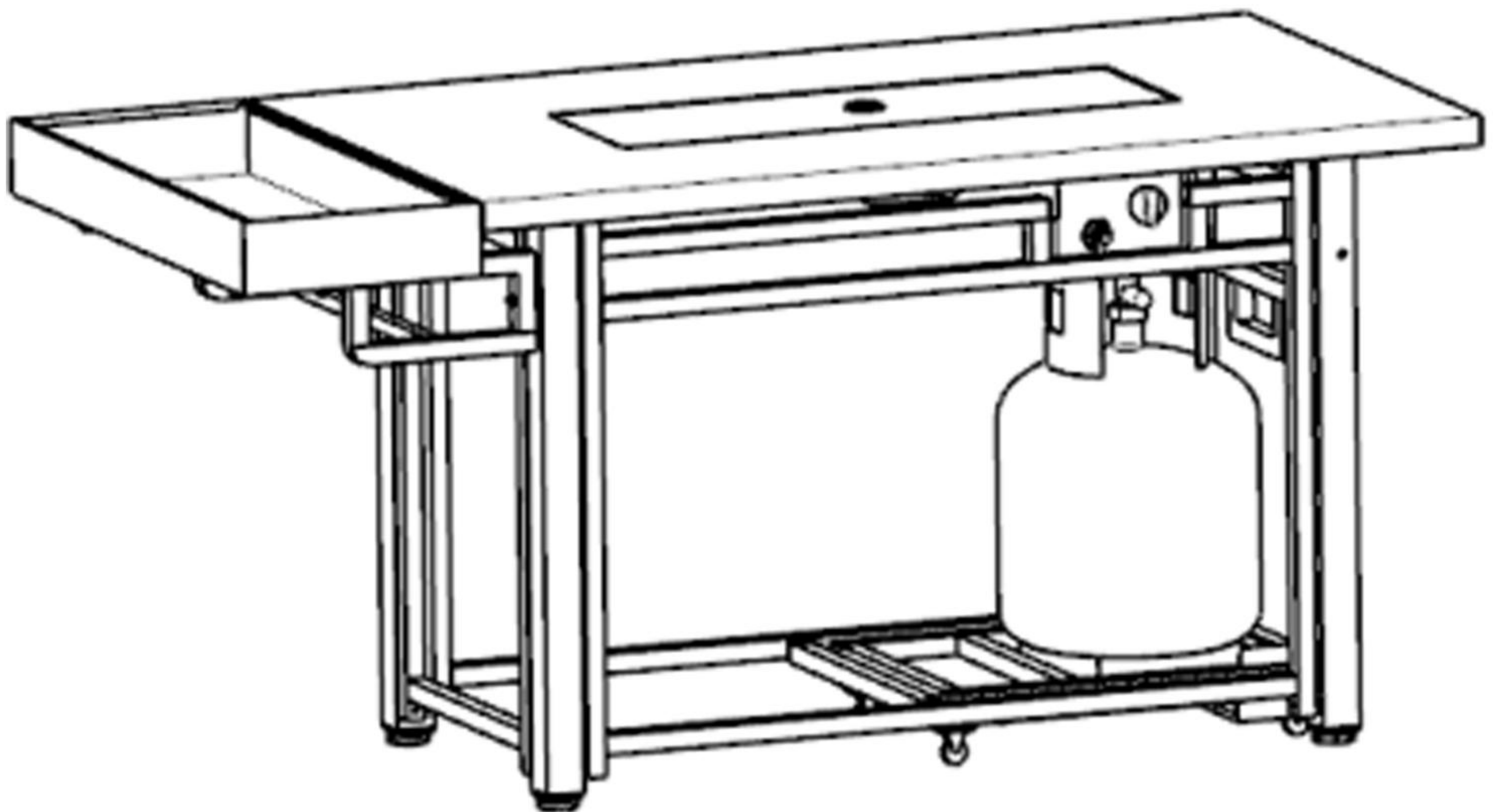


STEP 9

Pour the Fire Glass Beads[P] into the burner area of the table top[L],
PLS remove the label from the box.

Note: A gas fire pit requires 6.6lbs Glass Beads.

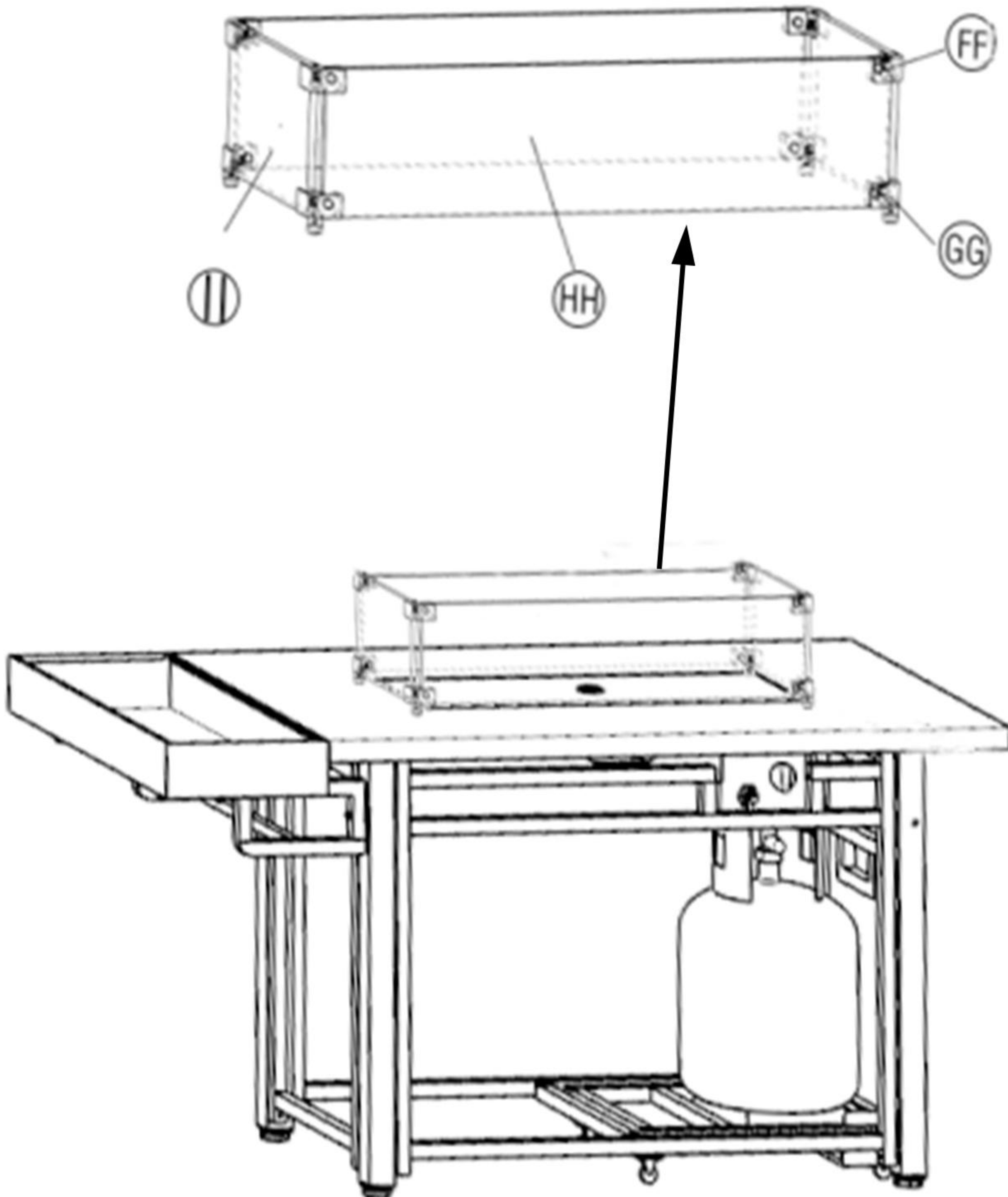
To avoid ignition failure, do not cover the flame orifice with Fire Glass Beads[P].
When the first use, preheat the Fire Glass Beads for 15 minutes to burn out the
impurities and air in the Glass Beads.



P x1

STEP 10

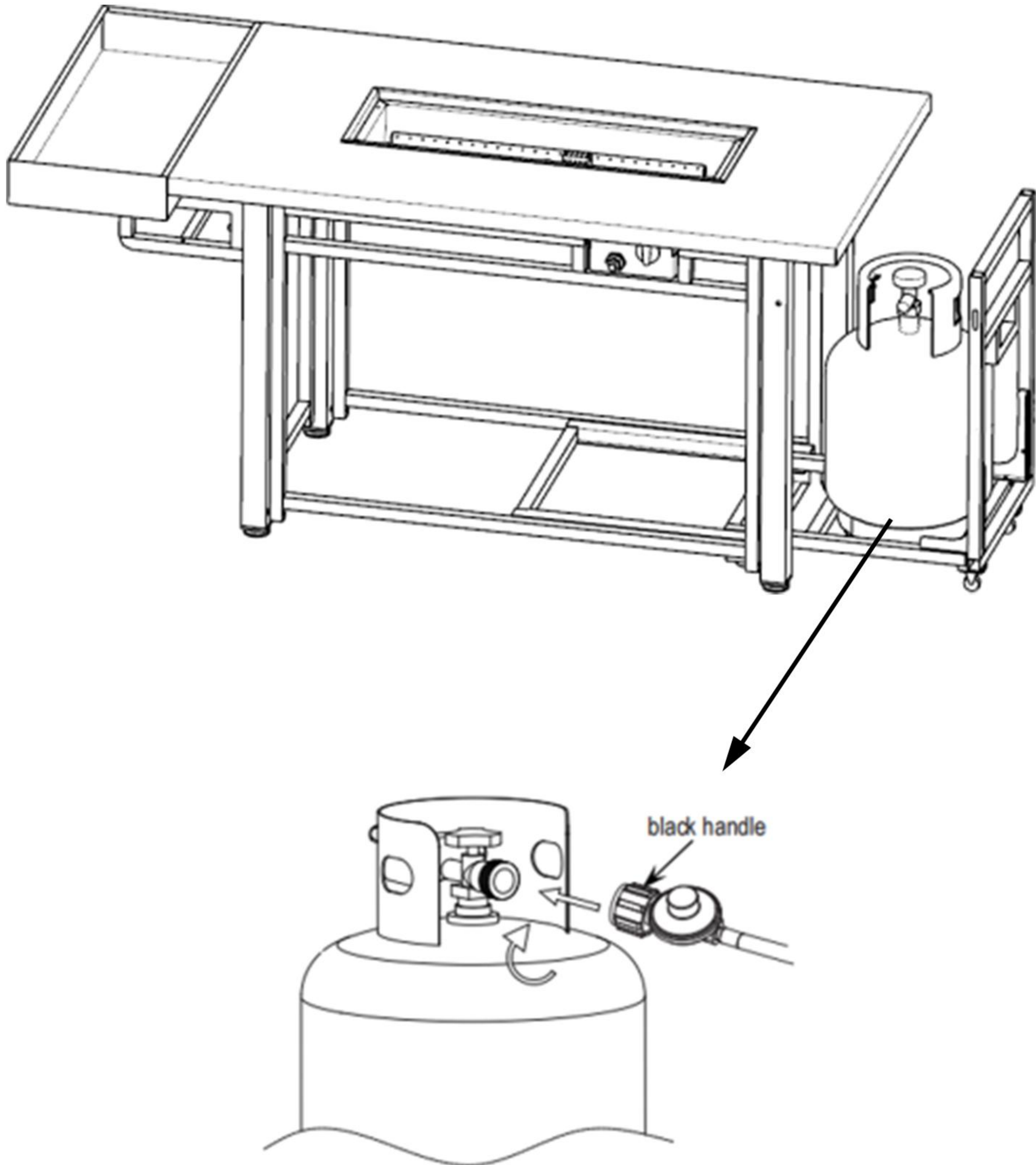
Attach the 2 pcs Glass Wind Guard-Long[HH] and 2 pcs Glass Wind Guard-Short[II] together, with 4 pcs Glass Fitting[FF] and 4 pcs Glass Foot[GG]. Note: PLS make sure all of the foots are on the same side.



HH x2 **II** x2 **FF** x4 **GG** x4

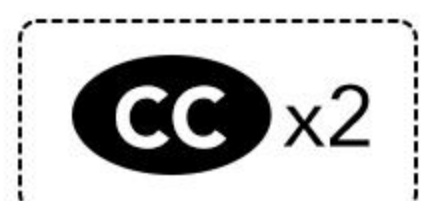
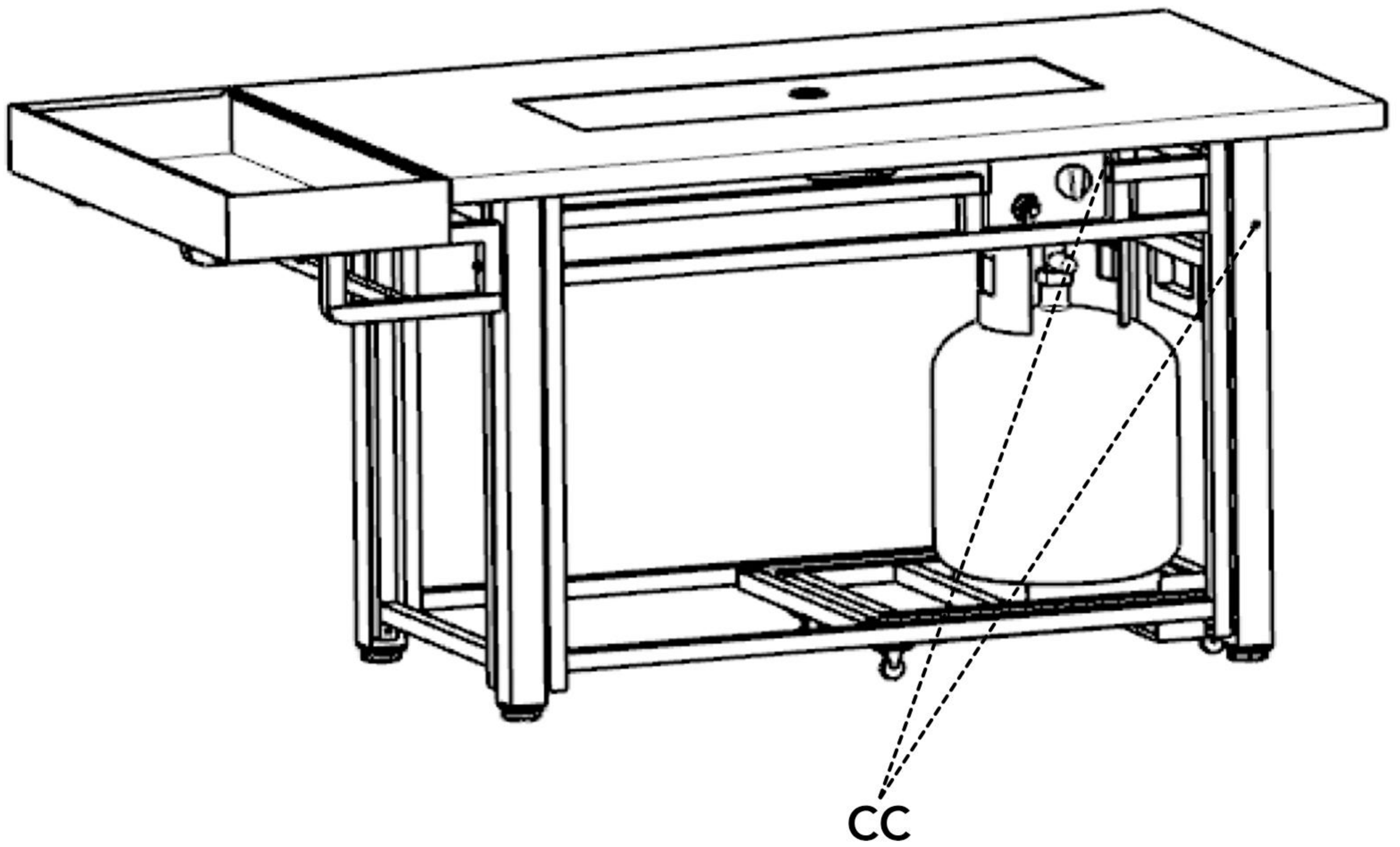
STEP 11

Access the door, insert the gas cylinder into the J, attach the regulator, tighten the black handle by rotating it clockwise, then remove it by rotating it counterclockwise. The hose has to point downward. When the fire pit is not in use, the control panel knob is fully turned to the "OFF" position.



STEP 12

Close the Door, and insert 2 Latches[CC].



Leak Check

Your gas fire pit has been checked at all connections at the factory for leakage.

In transportation and handling, some connections may have loosened. Follow these steps to check the hose/regulator/cylinder connections:

- 1) Make leakage solution by mixing 1 part liquid dish soap and 3 parts water
- 2) Spoon or brush several drops (or use a squirt bottle) of the solution onto the hose/regulator/gas cylinder connection.
- 3) Turn on the gas cylinder, then inspect the connections and look for bubbles.
- 4) If no bubbles appear, the connection is safe.
- 5) If bubbles appear, there is leakage. Loosen and re-tighten this connection.

Note:

- 1) The cylinder supply system must be arranged for vapor withdrawal.
- 2) The cylinder used must include a collar to protect the cylinder valve.

The hose assembly must be replaced prior to the appliance being put into operation if there is evidence of excessive abrasion or wear, or if the hose is damaged.

At least once a year, a complete inspection of the entire gas path components should be performed.

If there is a need to replace parts, proceed to leak test after reassembly (These procedures should be performed by a professional technician).

OPERATION

WARNING: DO NOT ATTEMPT TO OPERATE THE APPLIANCE UNTIL YOU HAVE READ AND UNDERSTAND ALL PRECAUTIONS. FAILURE TO DO SO CAN RESULT IN PROPERTY DAMAGE, SERIOUS INJURY, OR DEATH.

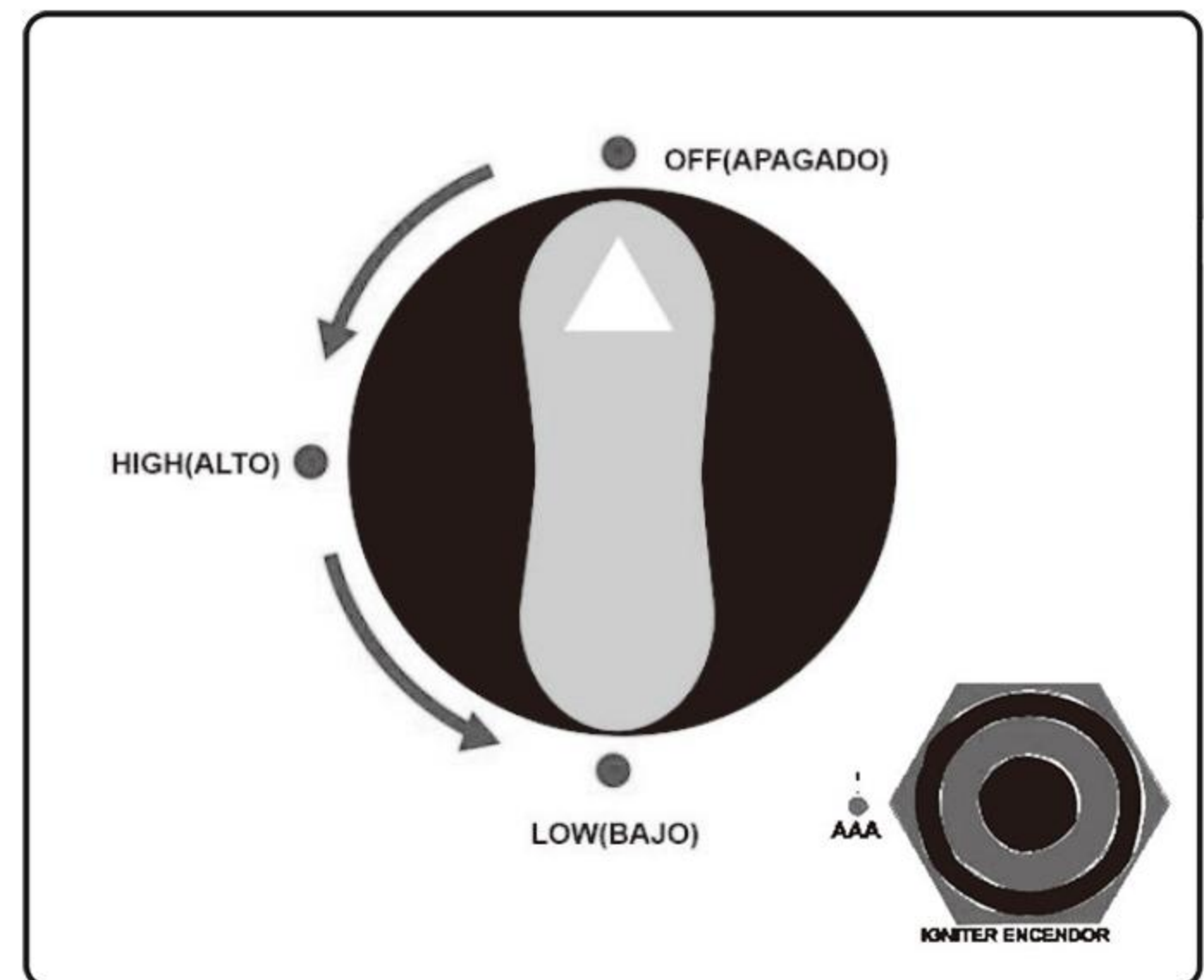
Battery

Turn the control knob to "OFF" before accessing the battery compartment. Unscrew the push button cover on the ignition module on the control panel to replace the AAA battery (not included) in the igniter module.

Note: Make sure to use the correct battery type and observe proper polarity to avoid ignition failure.

Lighting Instructions

1. Gently push the gas control knob in and turn it to "OFF".
2. Press the battery button switch, listen for the "clicking" sound, and then turn the gas control knob to "ON/HIGH".
3. Push the gas control knob in all the way and hold it. Continue to press the ignition button for 15 seconds.
4. If the burner does not ignite within 15 seconds, release the knob, it will pop back. Wait for 5 minutes and try igniting the burner again, repeat steps 1 to 3.

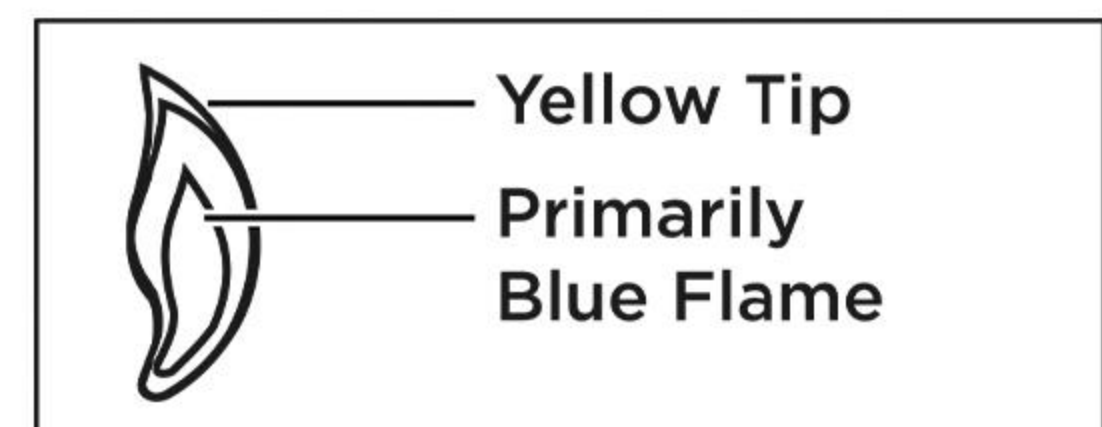


Flame Characteristic

Normally the burner flame is yellow.

If the burner flame is blue and very small, please check the gas cylinder, as it may be in low gas pressure or empty. If there is enough gas in the cylinder, please contact customer service to change the burner of the gas fire pit.

If flames lift away from the burner or a backfire, or thick black smoke is generated, the fire pit should be turned off immediately. The fire pit should not be operated again until the unit is serviced and/or repaired by a qualified service technician.



MAINTENANCE AND STORAGE

CLEANING AND MAINTENANCE

To enjoy years of outstanding performance from your gas fire pit, make sure you perform the following maintenance activities on a regular basis:

- Keep exterior surfaces clean.
- Use warm soapy water for cleaning. Never use flammable or corrosive cleaning agents.
- While washing your unit, be sure to keep the area around the burner dry at all times, if the gas control is exposed to water in any way, do NOT try to use it. It must be replaced.
- Keep the appliance area free and clean from combustible materials, gasoline, and other flammable vapors liquids; do not obstruct the flow of combustion and ventilation air; keep the ventilation opening(s) of the cylinder enclosure free and clear from debris.
- Check if there are cracks or worn sections on the hose. If yes, please call our customer service to replace the hose.
- At least once a year the unit should be inspected for the presence of spiders, spider webs, or other insects.
- Air flow must be unobstructed. Keep controls, burner and circulating air passageways clean. Signs of possible blockage include:
 - The gas fire pit does NOT reach the desired temperature.
 - The gas fire pit glow is excessively uneven.
 - The gas fire pit makes popping noises.
- Spiders and insects can nest in burners or orifices. This dangerous condition can damage the gas fire pit and render it unsafe for use. Clean burner holes by using a heavy-duty pipe cleaner. Compressed air may help to clear away smaller particles.
- Store the fire pit indoors during the winter if it will be subjected to freezing temperatures.
- Disconnect and remove the cylinder from the appliance before the appliance can be stored indoors.

TROUBLESHOOTING

PROBLEM	REASON	SOLUTION
Burner not lighting with igniter	Guard obstructed	Clear guard of obstructions
	Burner wet	Dry burner
	Igniter battery dead	Replace battery in igniter
Burner does not light	Propane tank is empty	Replace/refill tank
	Coupling nut loose	Fully tighten coupling nut
	Bent hose	Straighten hose
	Burner holes obstructed	Remove obstructions or clean holes
	Control knob off	Turn control knob on
Emits a lot of black smoke	Bent hose	Straighten hose
	Burner holes obstructed	Remove obstructions or clean holes
	Dirt or film on burner	Clean burner
Drop in gas flow, reduced flame height	Propane tank is empty	Replace/refill tank
	Temperature less than 40°F, tank less than ¼ full	
Irregular flame pattern, or does not run length of burner	Burner holes obstructed	Remove obstructions or clean holes
Flames blow out	Propane tank is empty	Replace/refill tank
	High winds	Turn control knob to high
Flames lose heat in cold weather	Ice buildup on propane tank	Replace tank