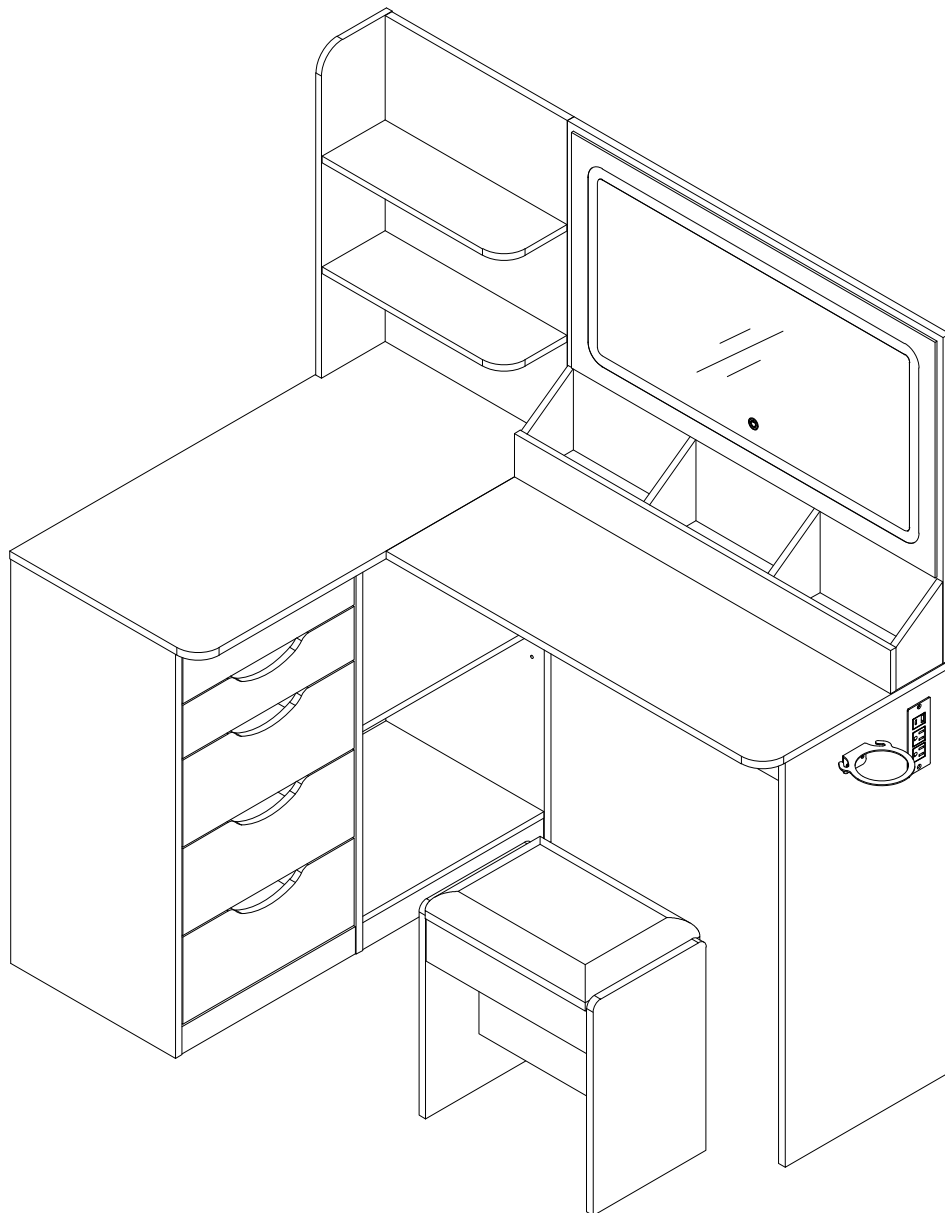
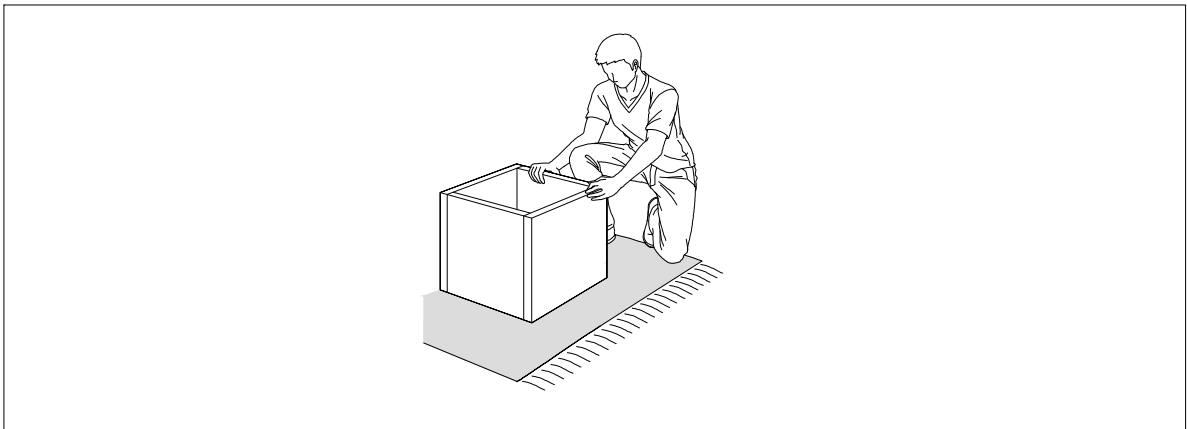
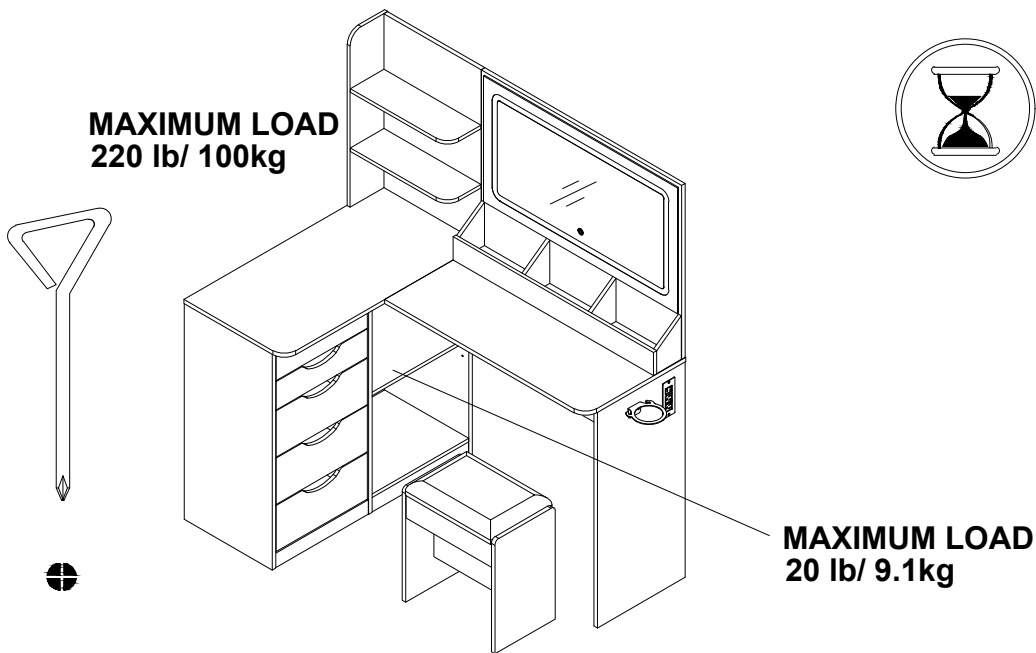


ASSEMBLY INSTRUCTIONS

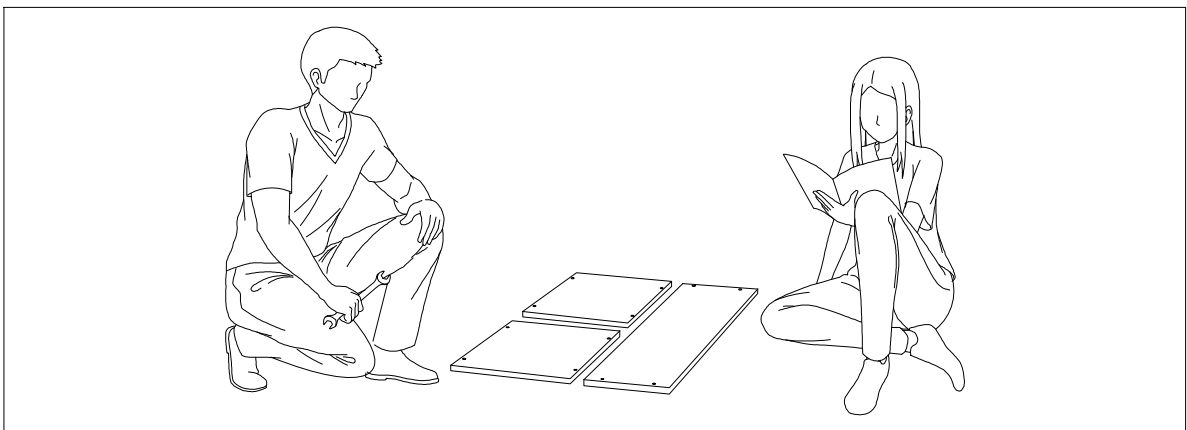
V-VN24-0558



WARNING !



Assembly the furniture on empty carton, carpet, or rug to prevent scratches or damage.

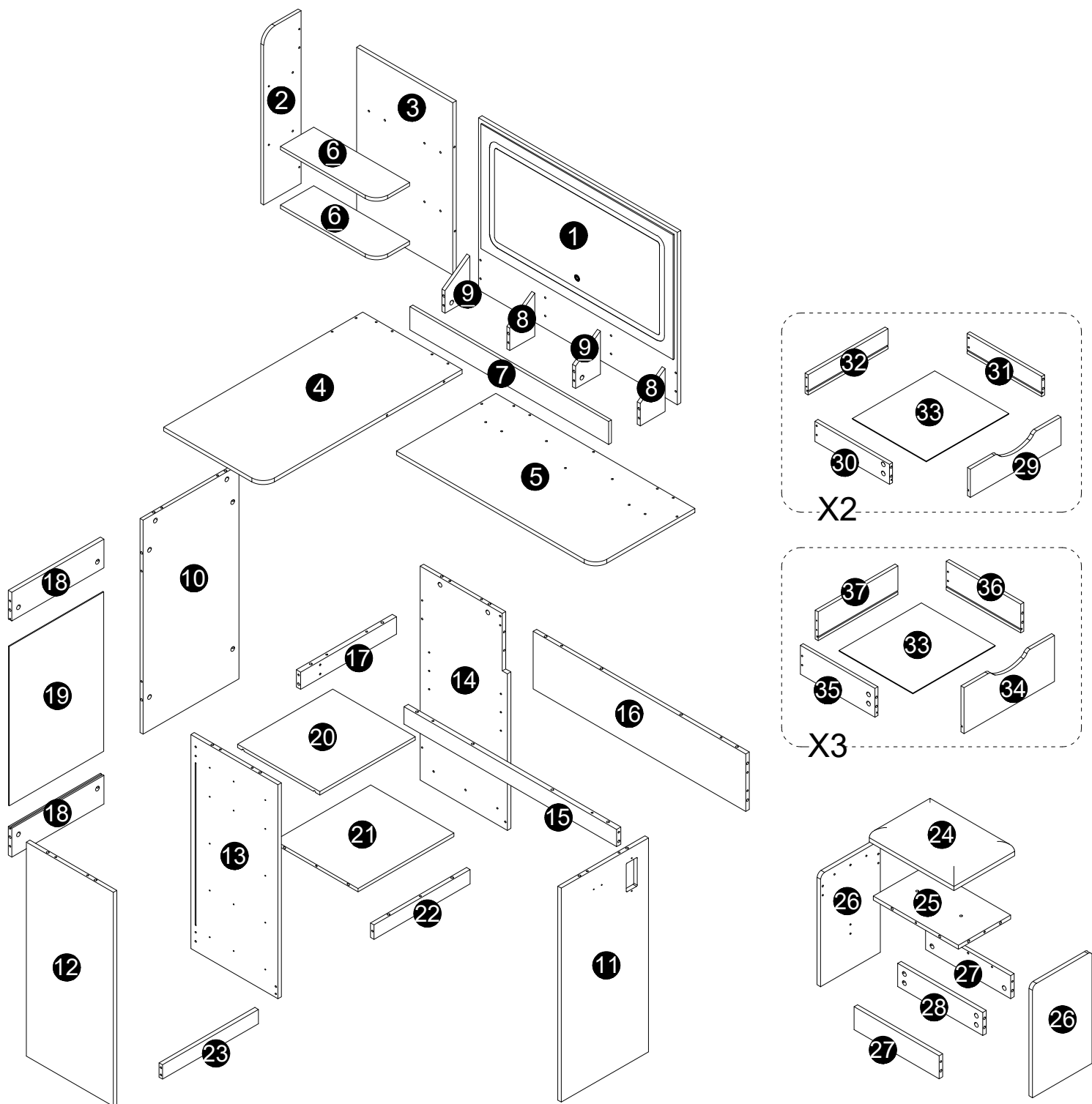


This furniture requires 2 people to assembly.

Make sure no parts are missing or damaged before assembly.

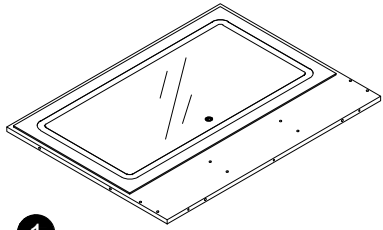
Board Identification

Not actual size

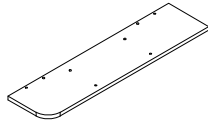


BOARD IDENTIFICATION

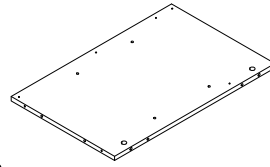
Not actual size



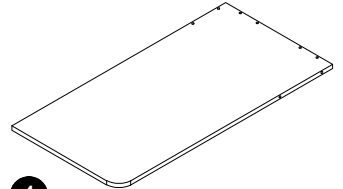
1



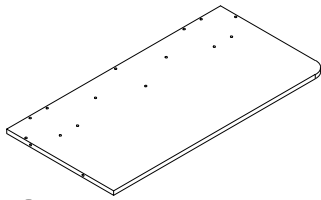
2



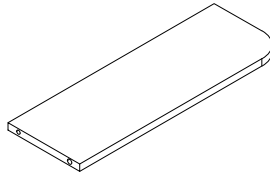
3



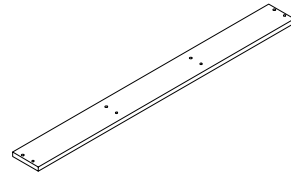
4



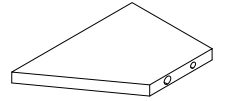
5



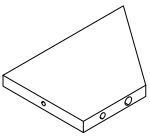
6 x2



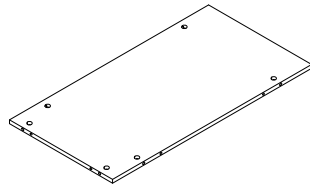
7



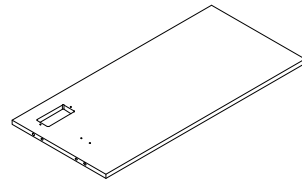
8 x2



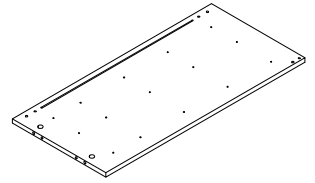
9 x2



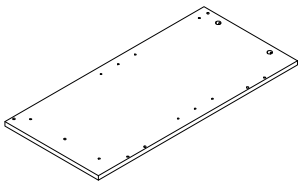
10



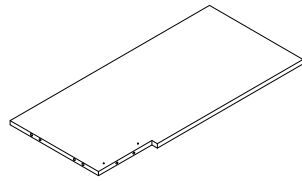
11



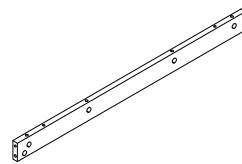
12



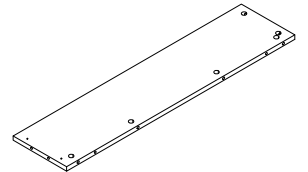
13



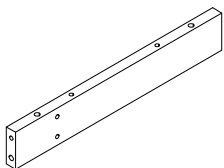
14



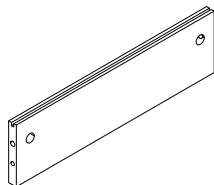
15



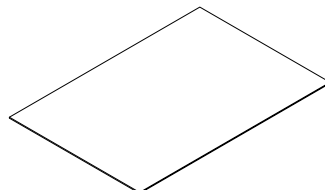
16



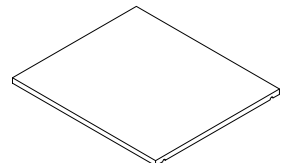
17



18 x2



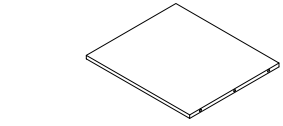
19



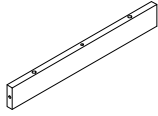
20

BOARD IDENTIFICATION

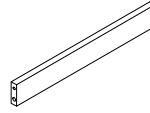
Not actual size



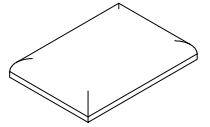
21



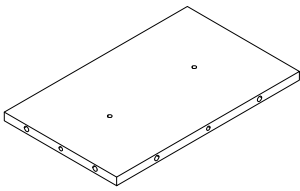
22



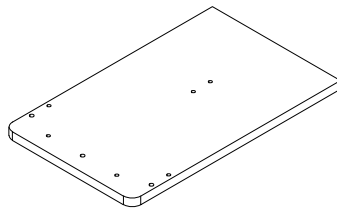
23



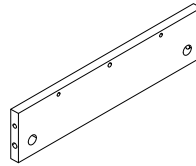
24



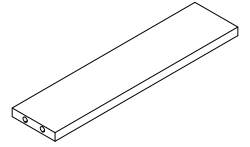
25



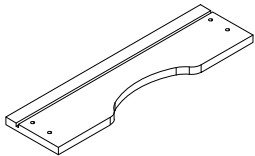
26 x2



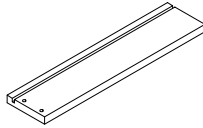
27 x2



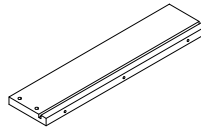
28



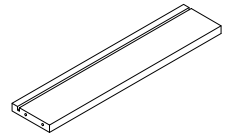
29 x2



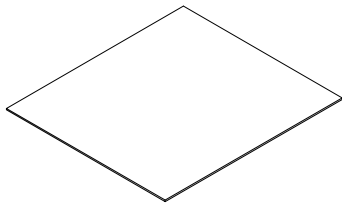
30 x2



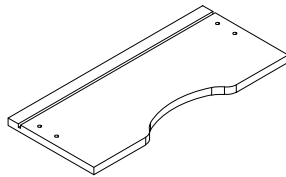
31 x2



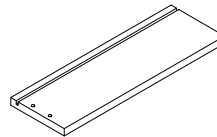
32 x2



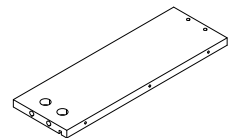
33 x5



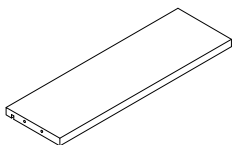
34 x3



35 x3





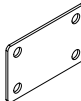
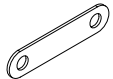


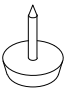

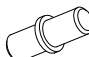
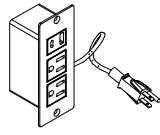
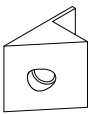

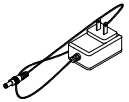
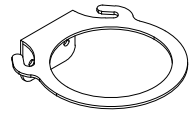
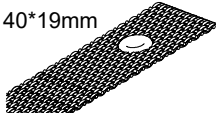



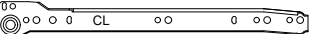
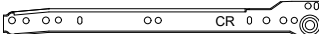
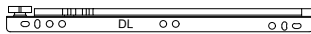



36 x3



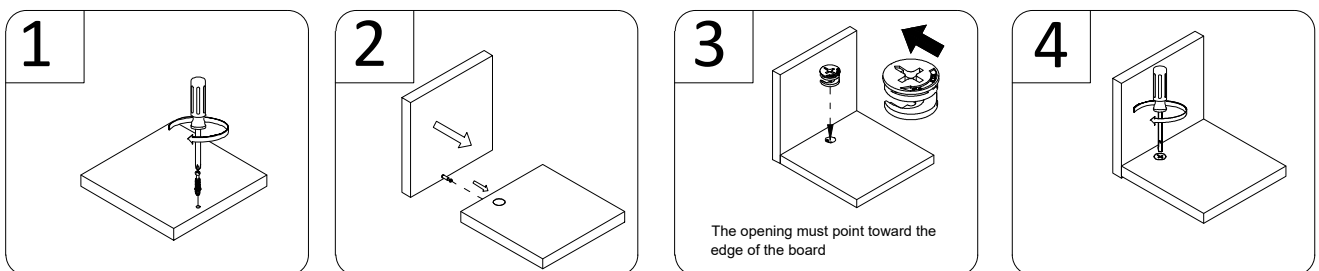
37 x3

HARDWARE LIST

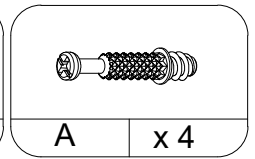
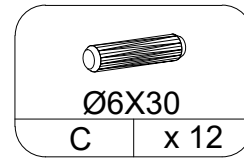
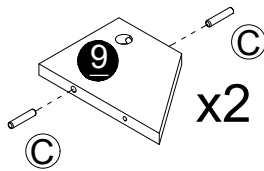
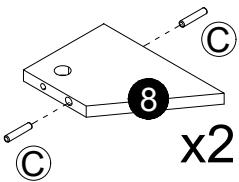
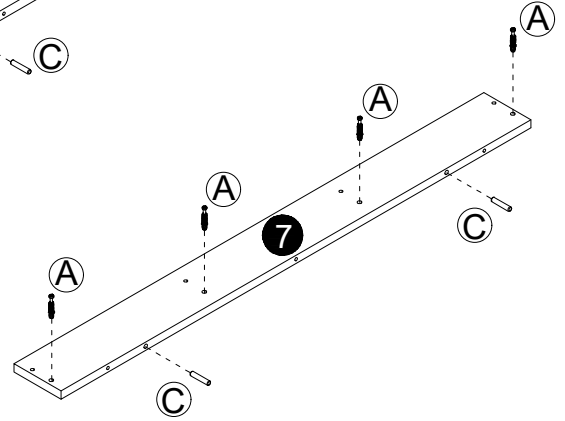
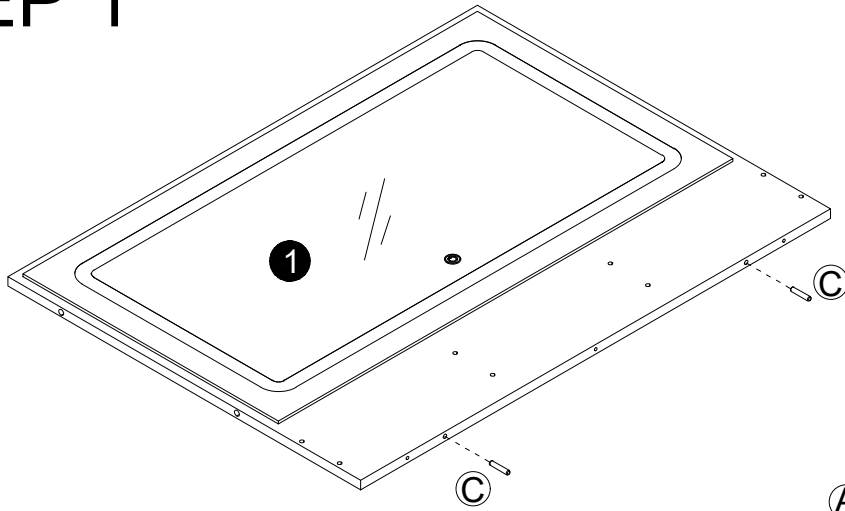
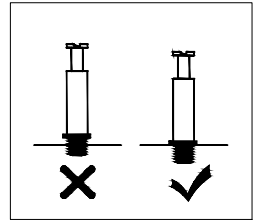
			
A	B	C	D
x85+8	Ø15x9.5 x85+8	Ø6x30 x74+7	Ø5x38 x22+2
			
E	F	G	H
x2	x4	Ø5*12 x10+1	Ø3.5X12 x70+7
			
I	J	K	L
x12	Ø4x38 x20+2	Ø5x15 x4	x1
			
M	N	O	P
Ø3x15 x4+1	x1	x1	x1
			
Q1x2 140*19mm	Q2x4 Ø16xØ6.5x1mm	R1x2 Ø6x30	R2x2 Ø4x35
Q	Q3x2 Ø4x14mm	R	S
x2	x4	x2	M6x25 x2+1
			
CL	CR	DL	DR
x5	x5	x5	x5

Cam Lock Fastening System

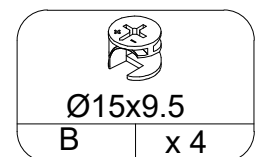
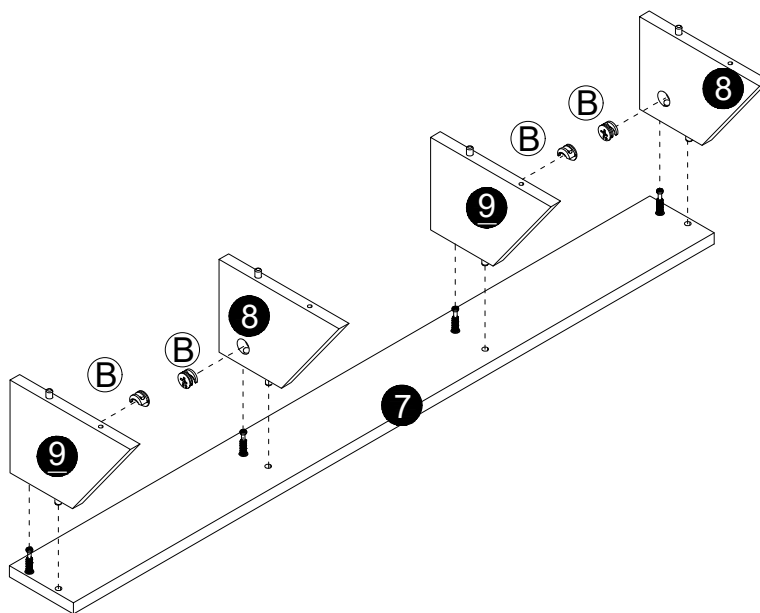
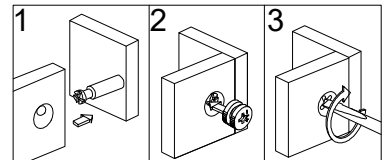
Insert the cam bolt into the hole first, then insert the cam lock and lock it.



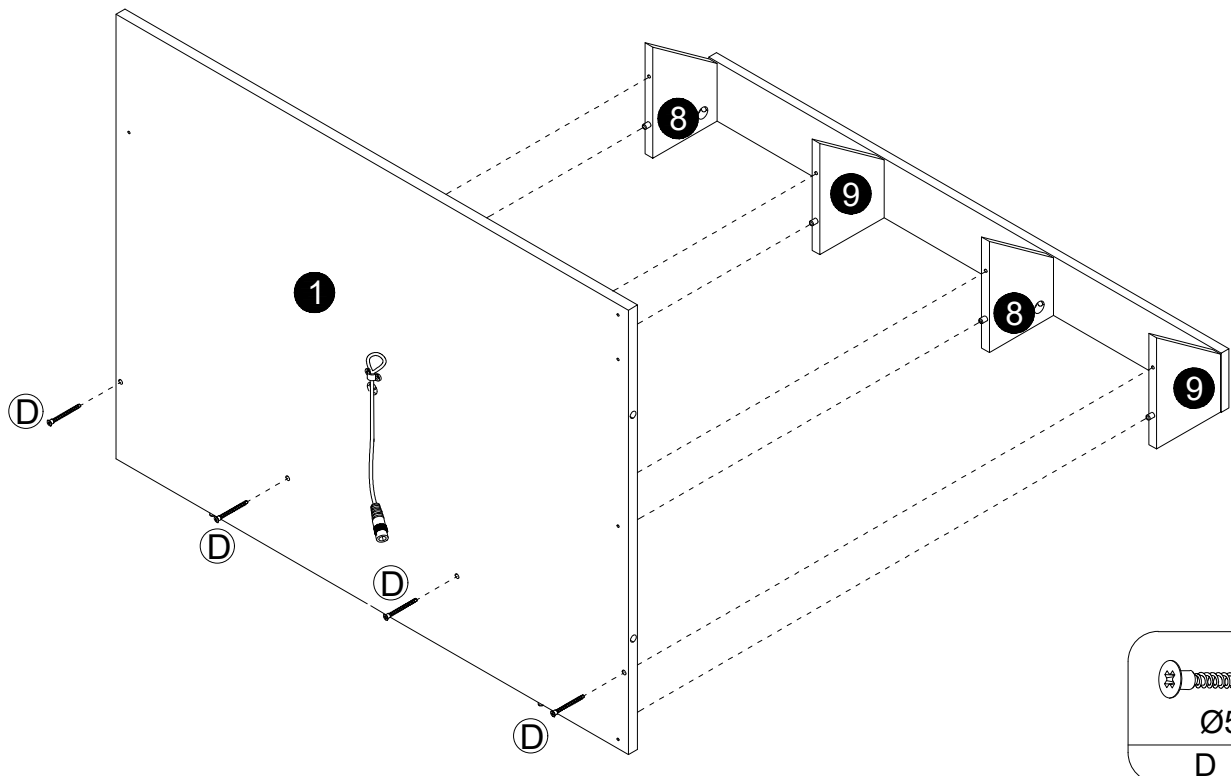
STEP 1




STEP 2

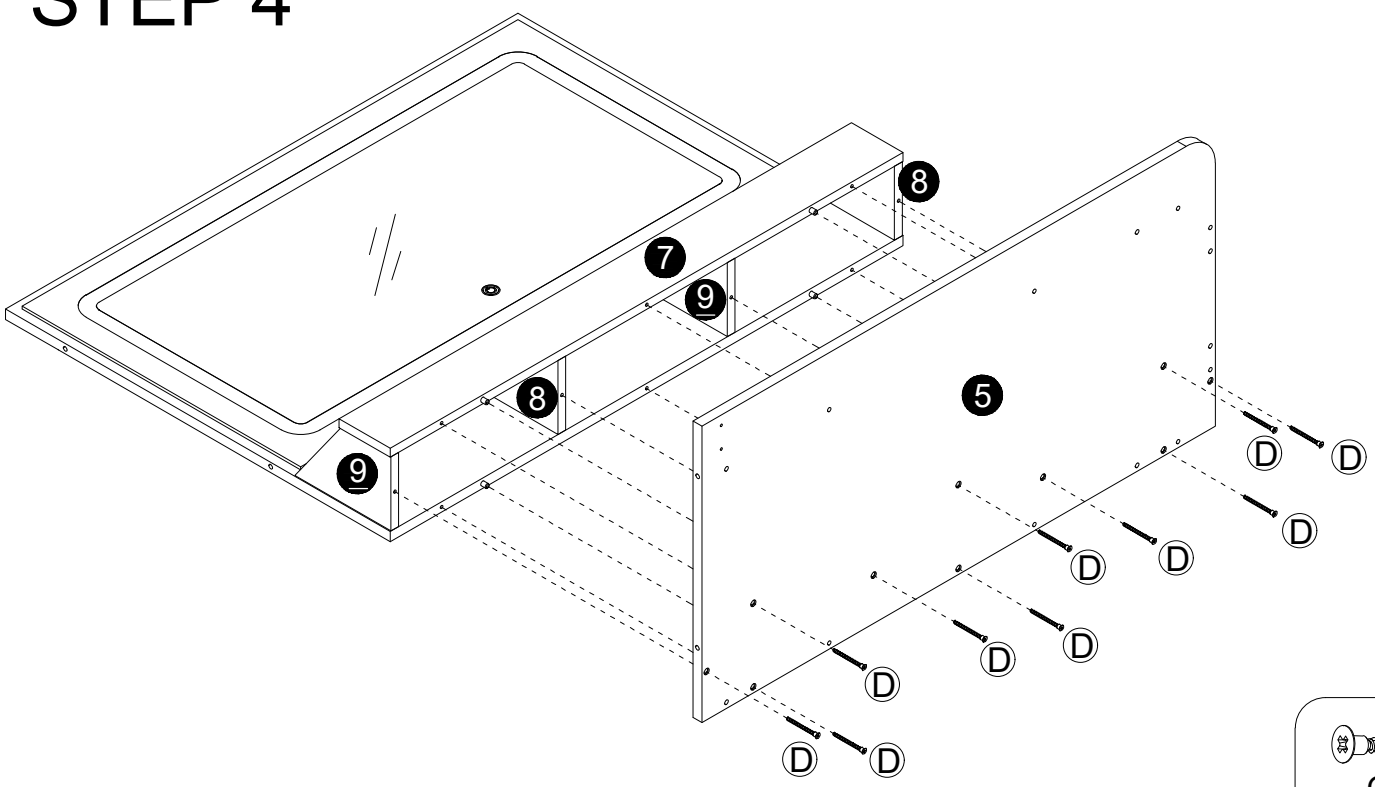



STEP 3



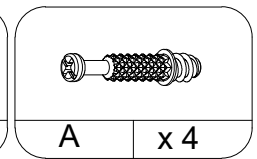
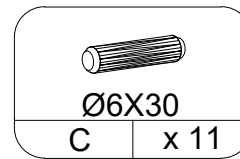
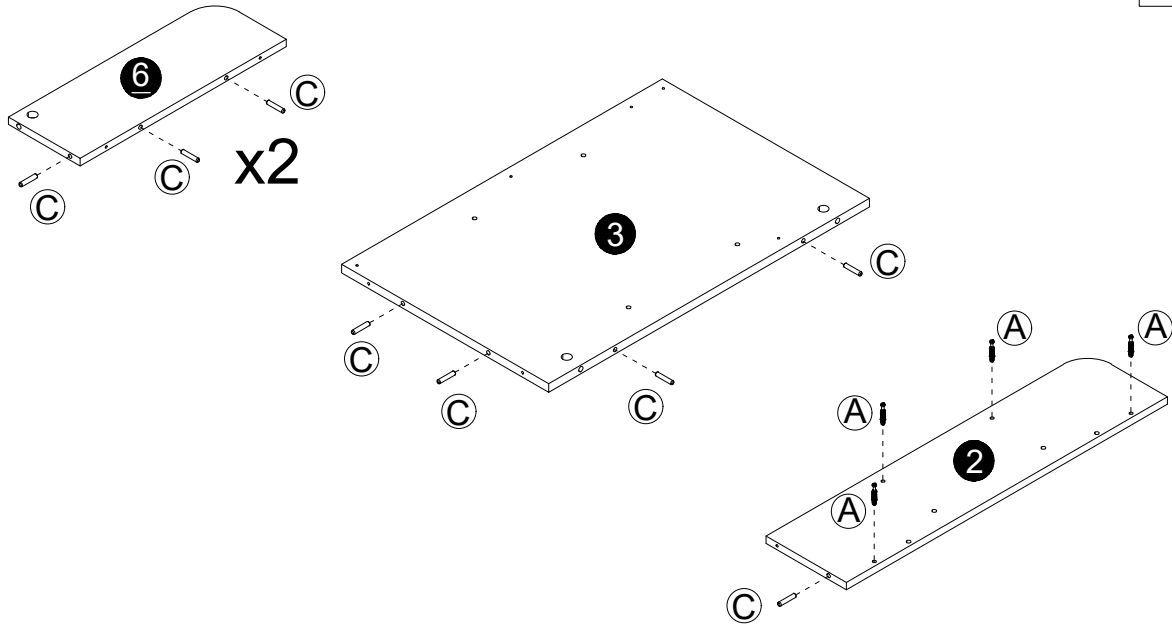
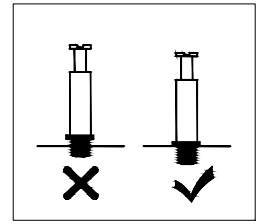
	
Ø5X38	
D	x 4

STEP 4

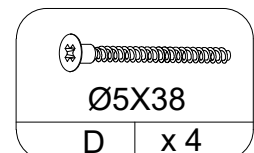
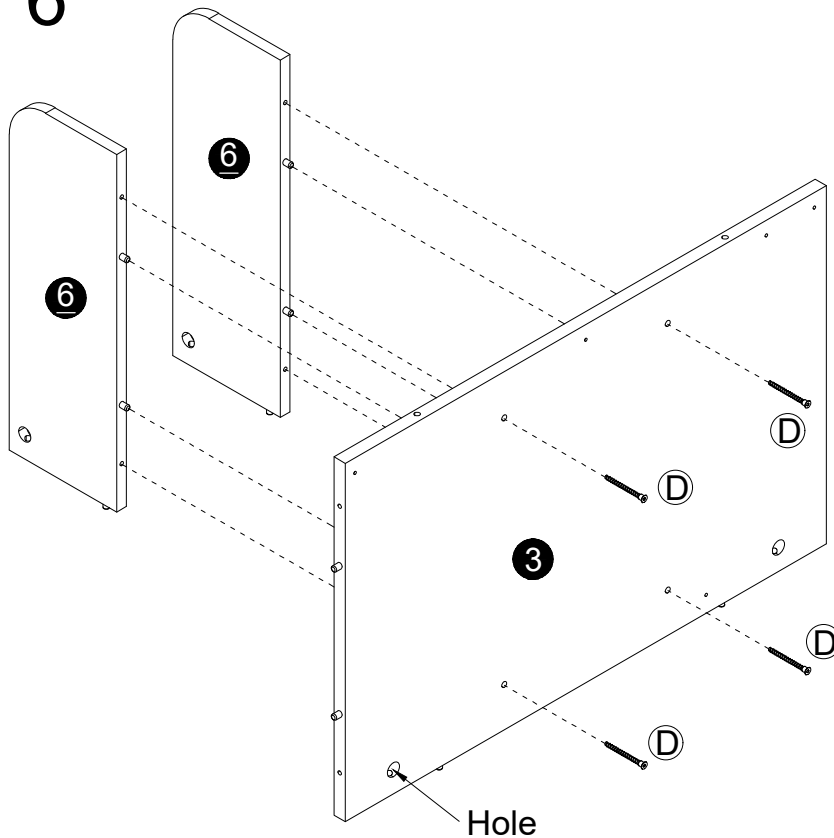


	
Ø5X38	
D	x 10

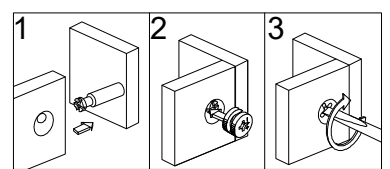
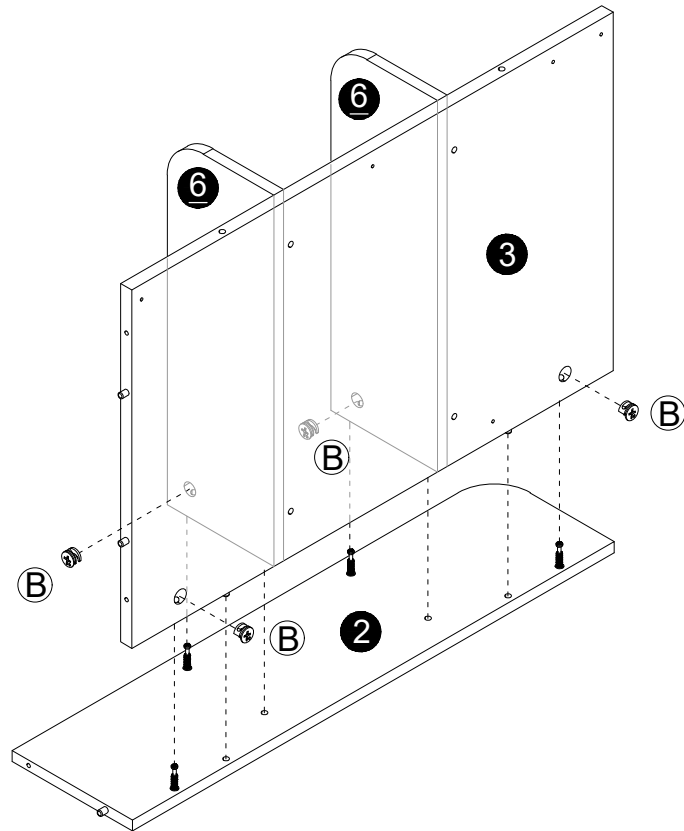
STEP 5




STEP 6

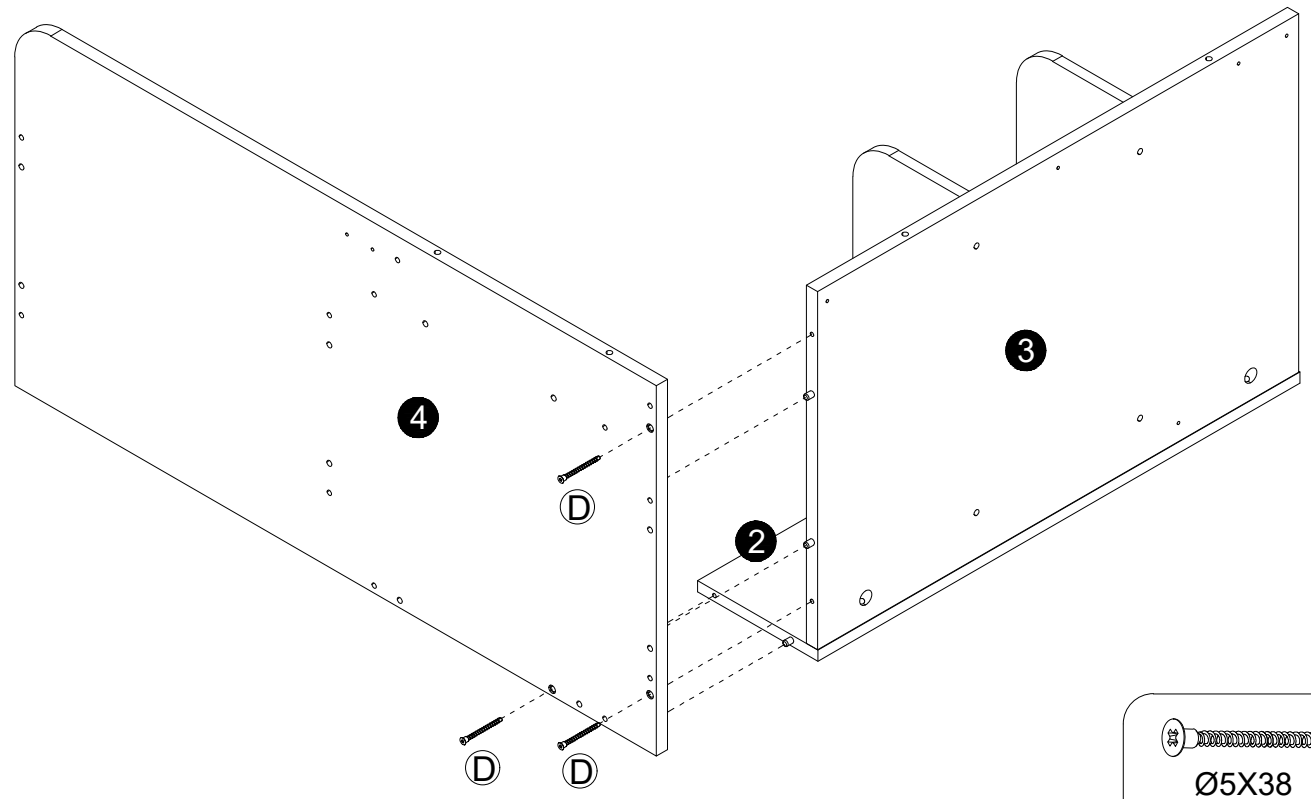



STEP 7



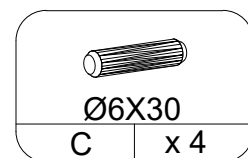
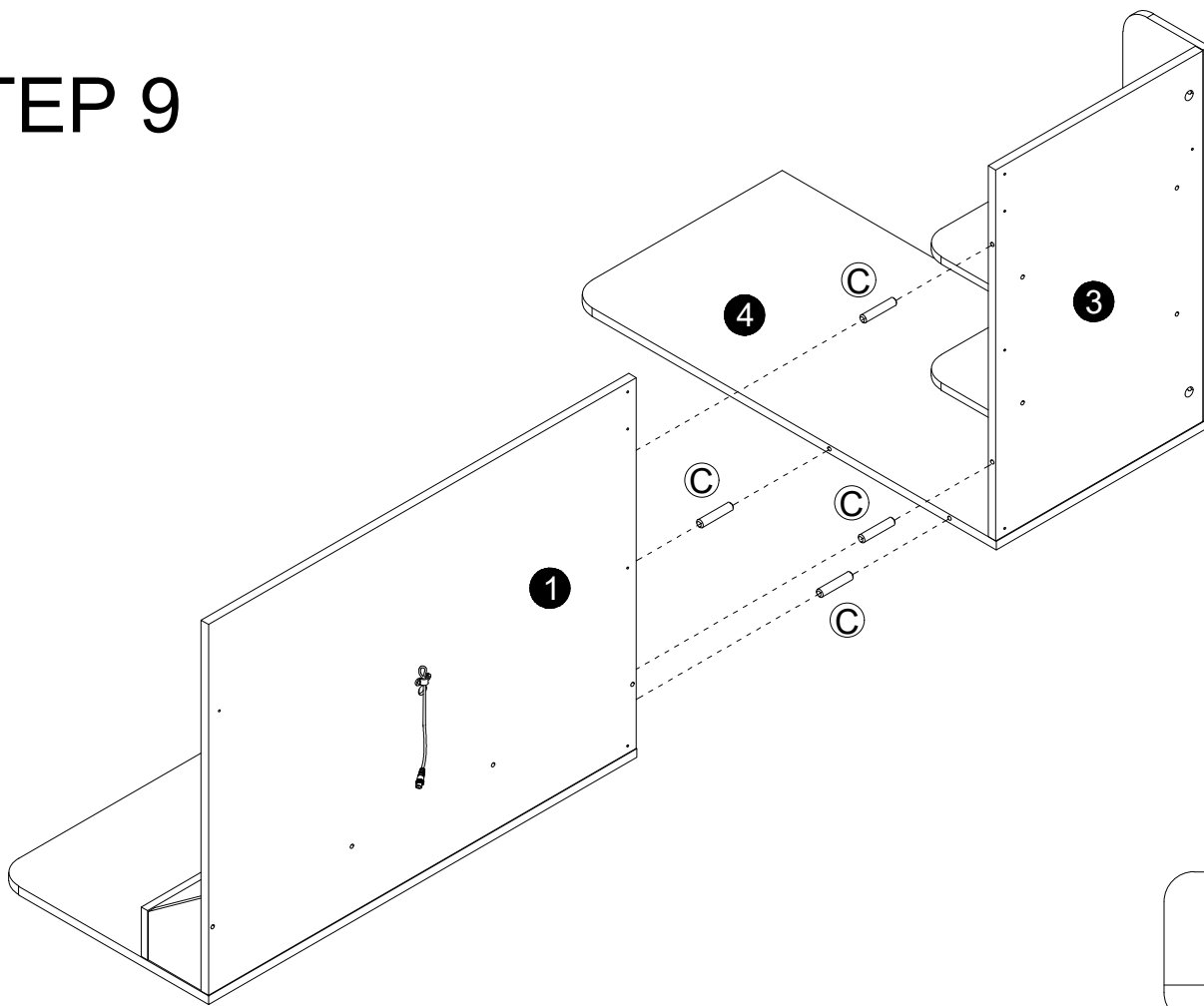
	
$\text{Ø}15 \times 9.5$	
B	x 4

STEP 8

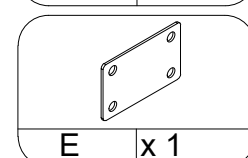
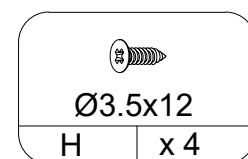
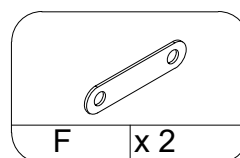
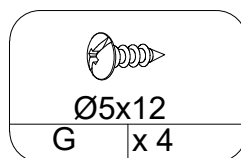
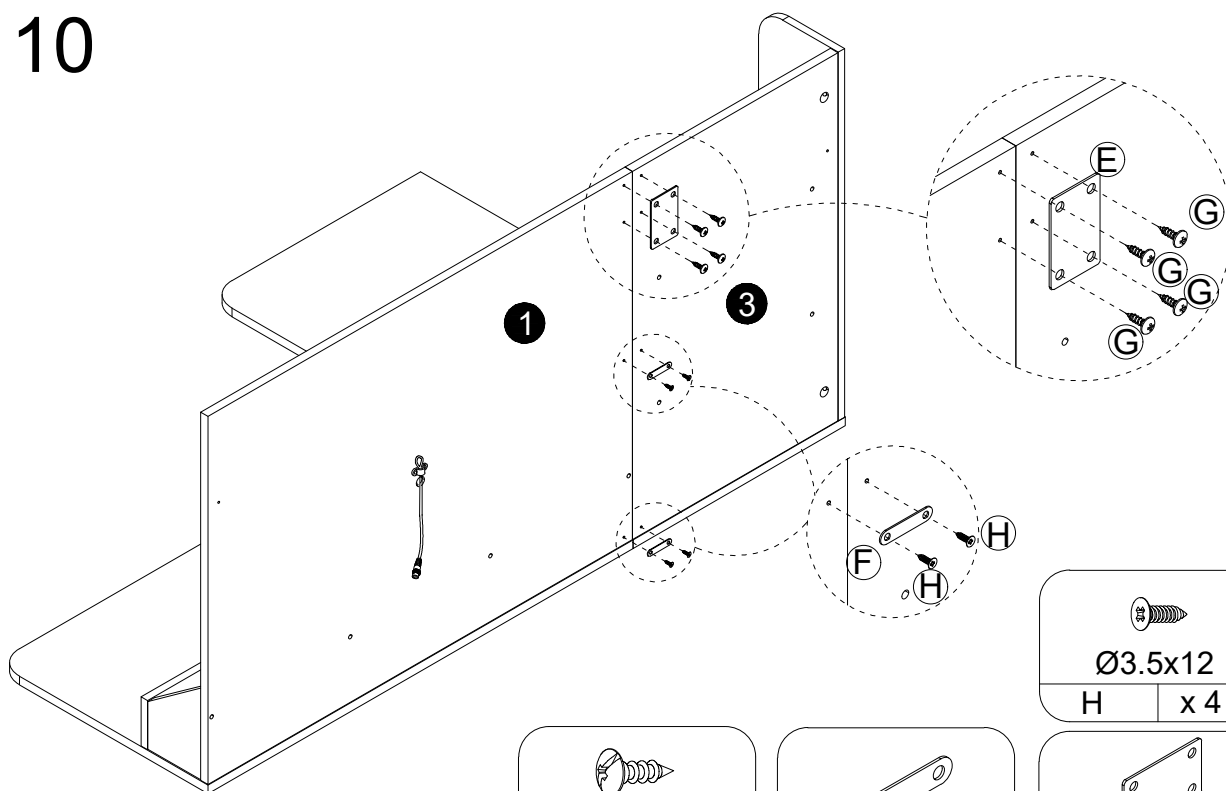


	
$\text{Ø}5 \times 38$	
D	x 3

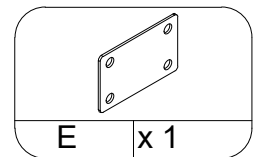
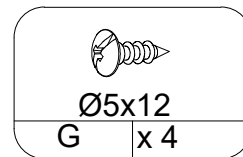
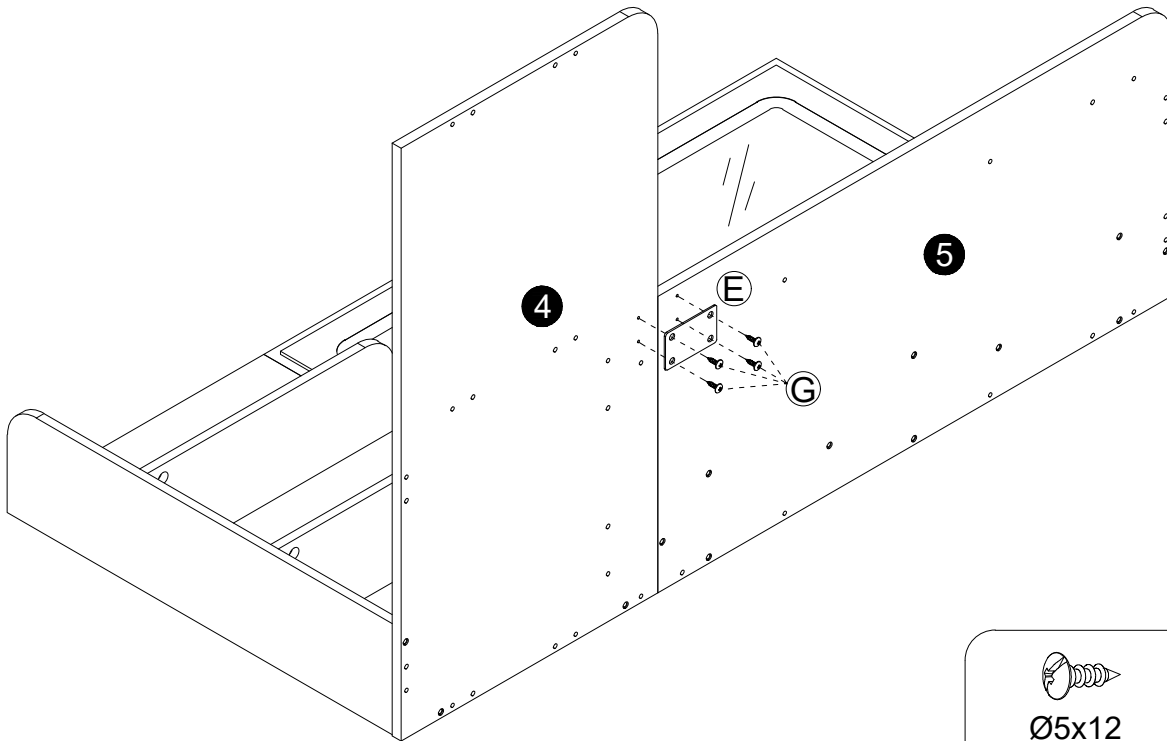
STEP 9



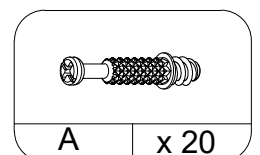
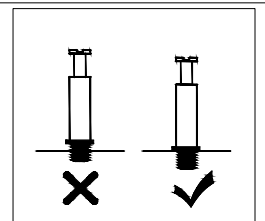
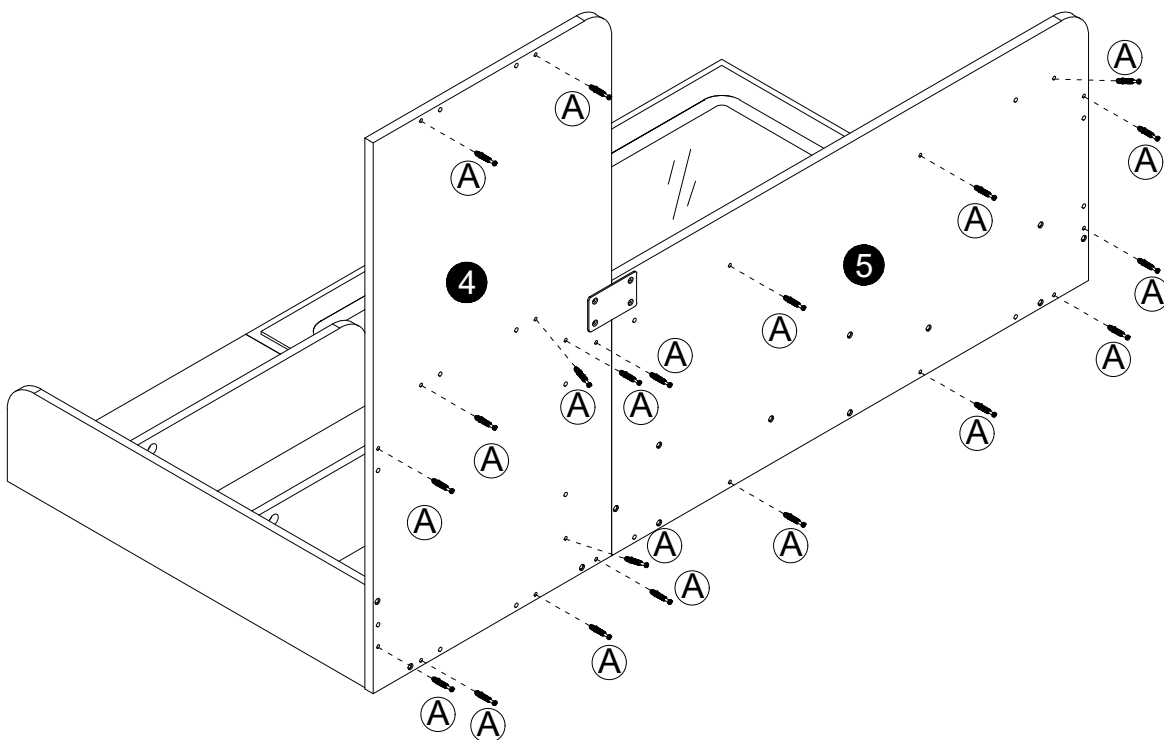
STEP 10



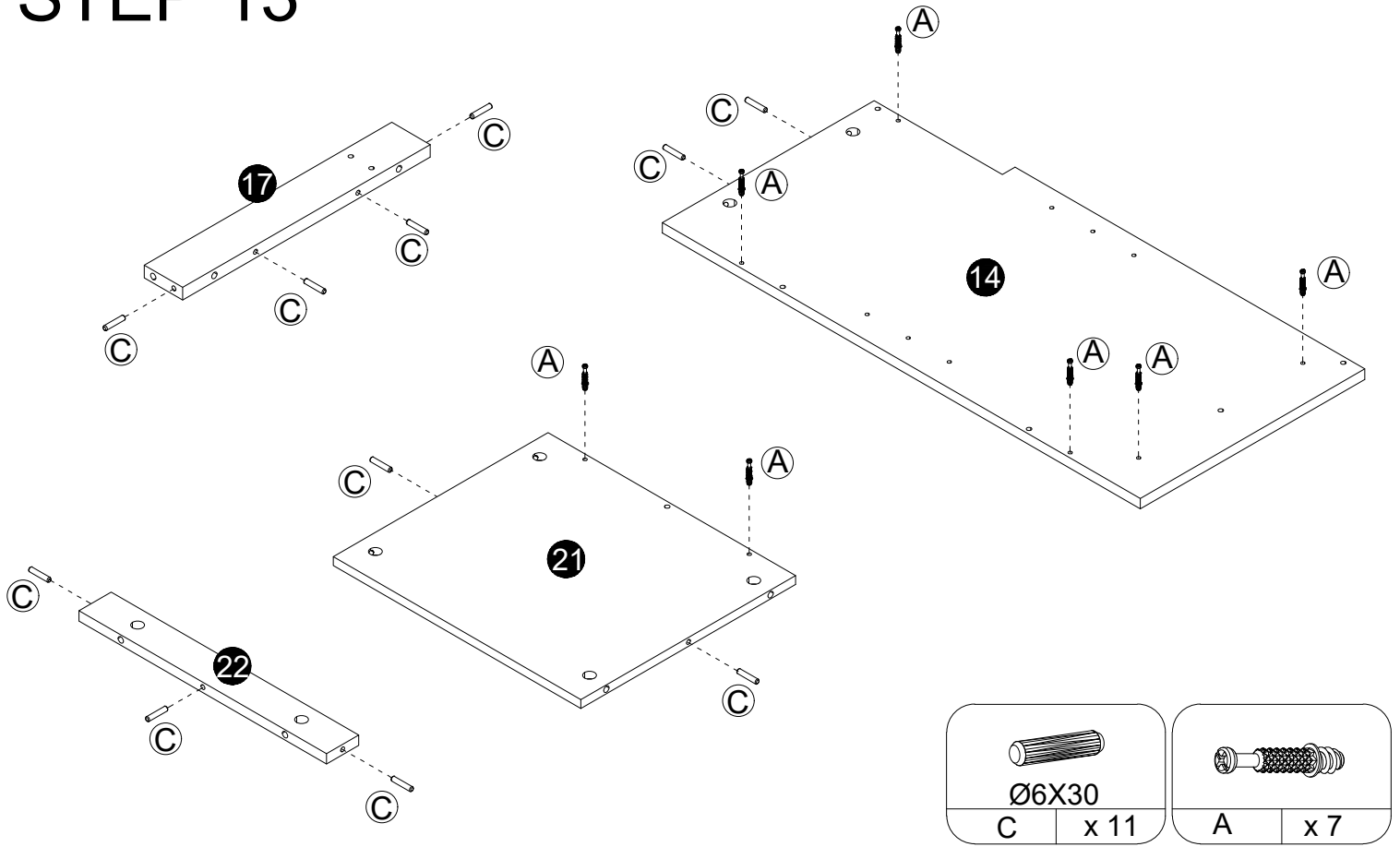
STEP 11



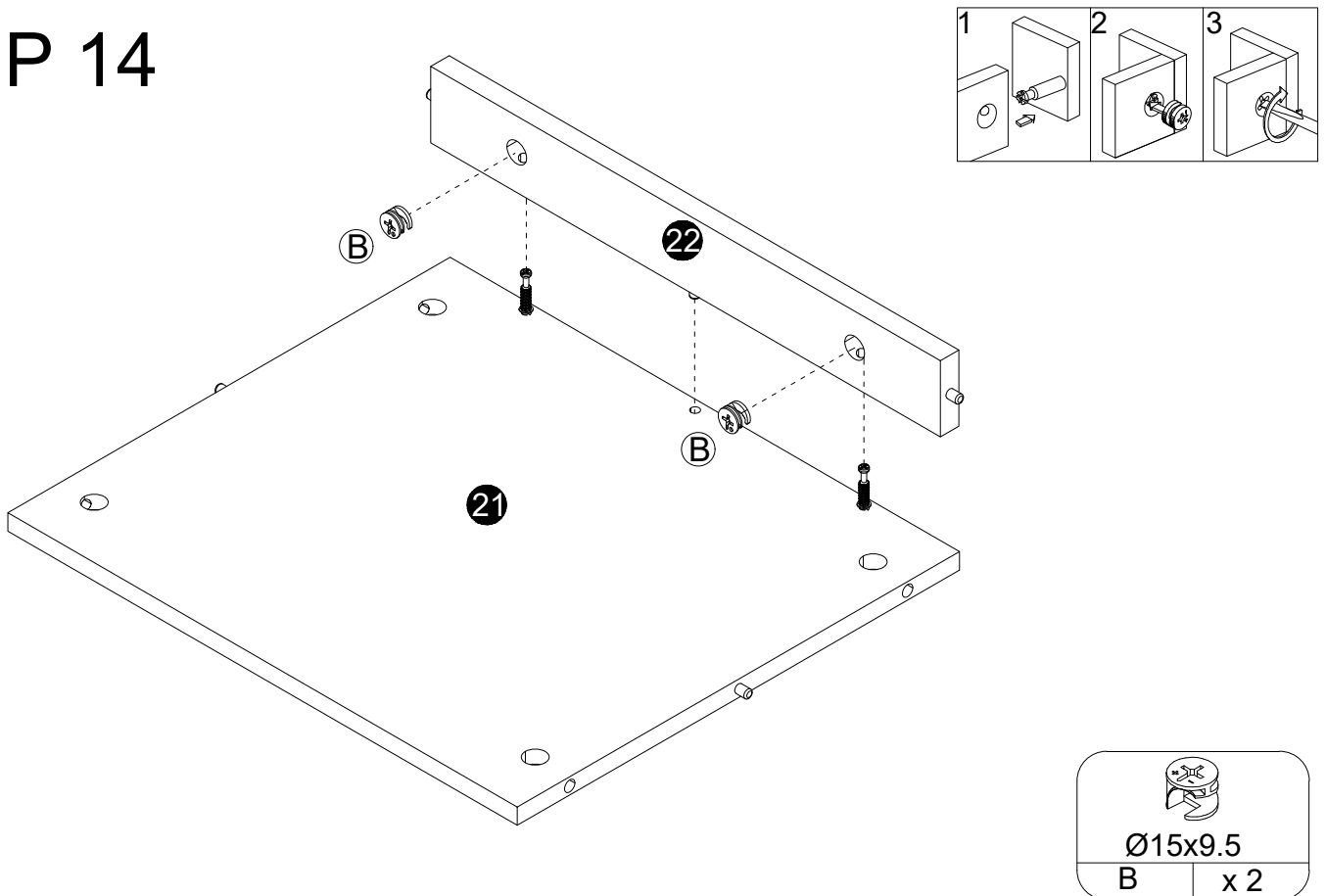
STEP 12



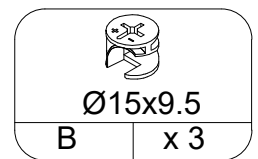
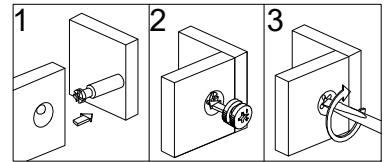
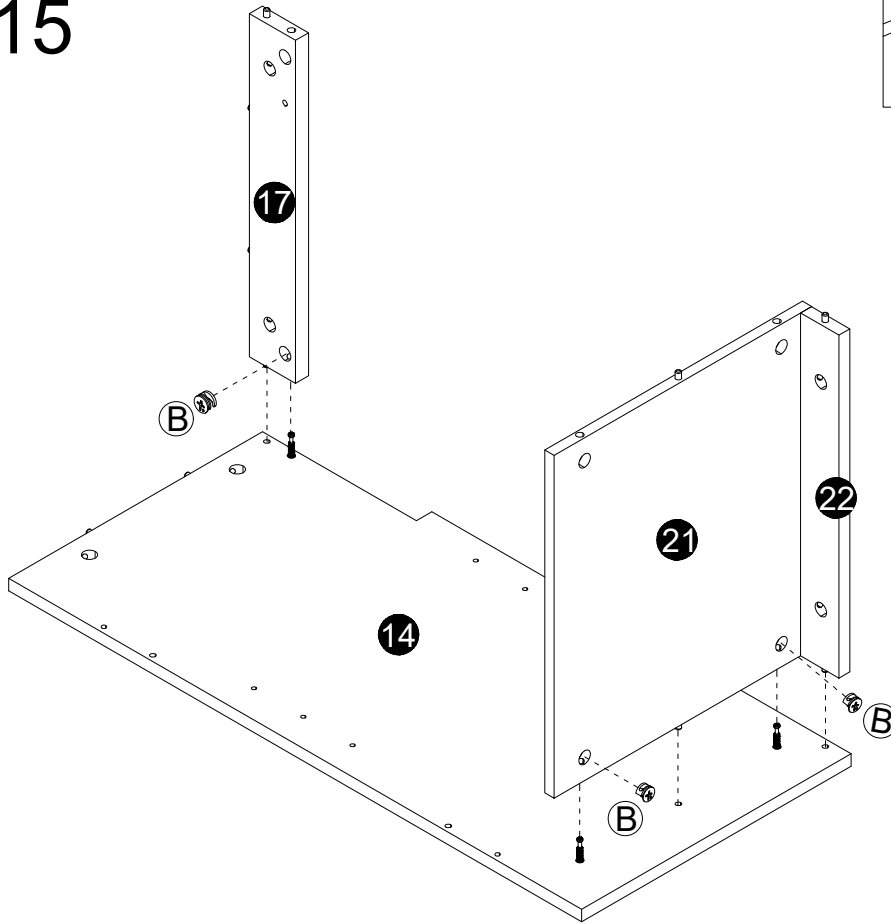
STEP 13



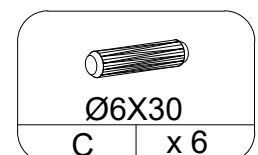
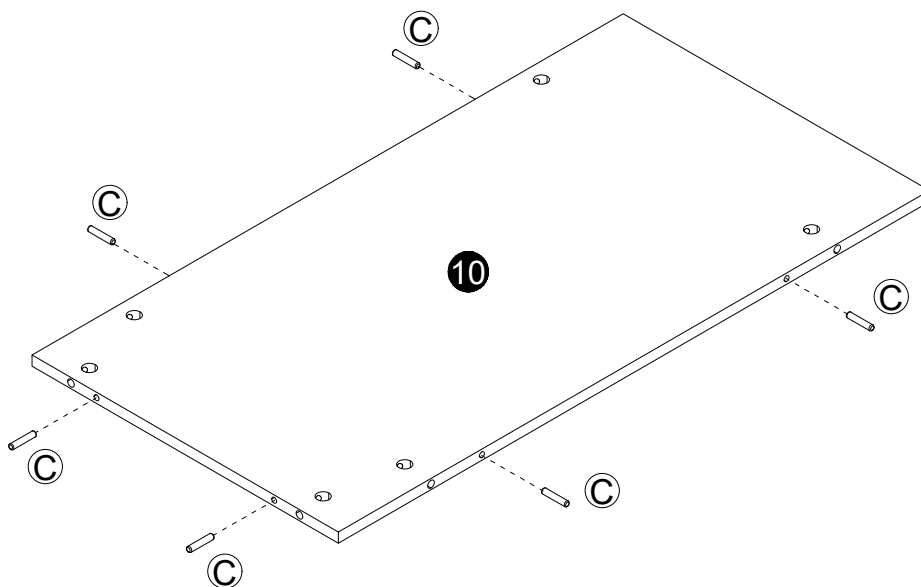
STEP 14



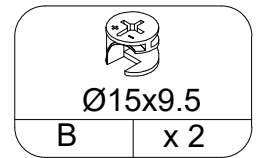
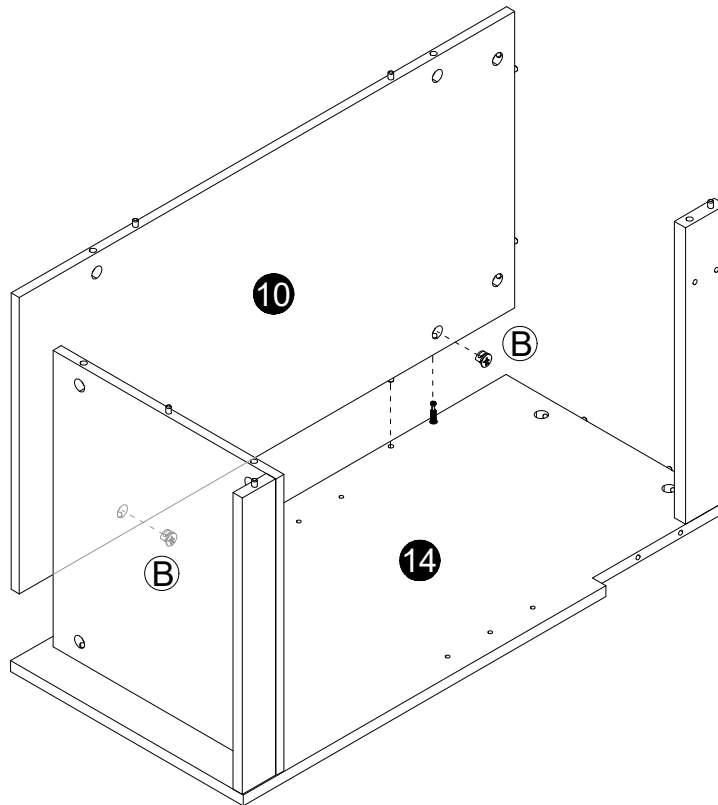
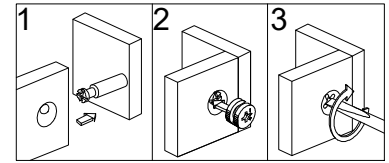
STEP 15



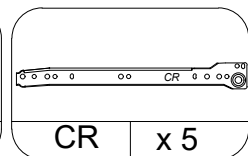
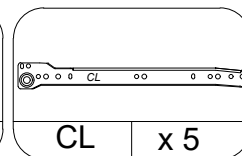
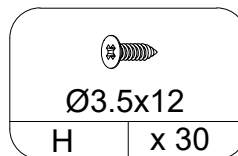
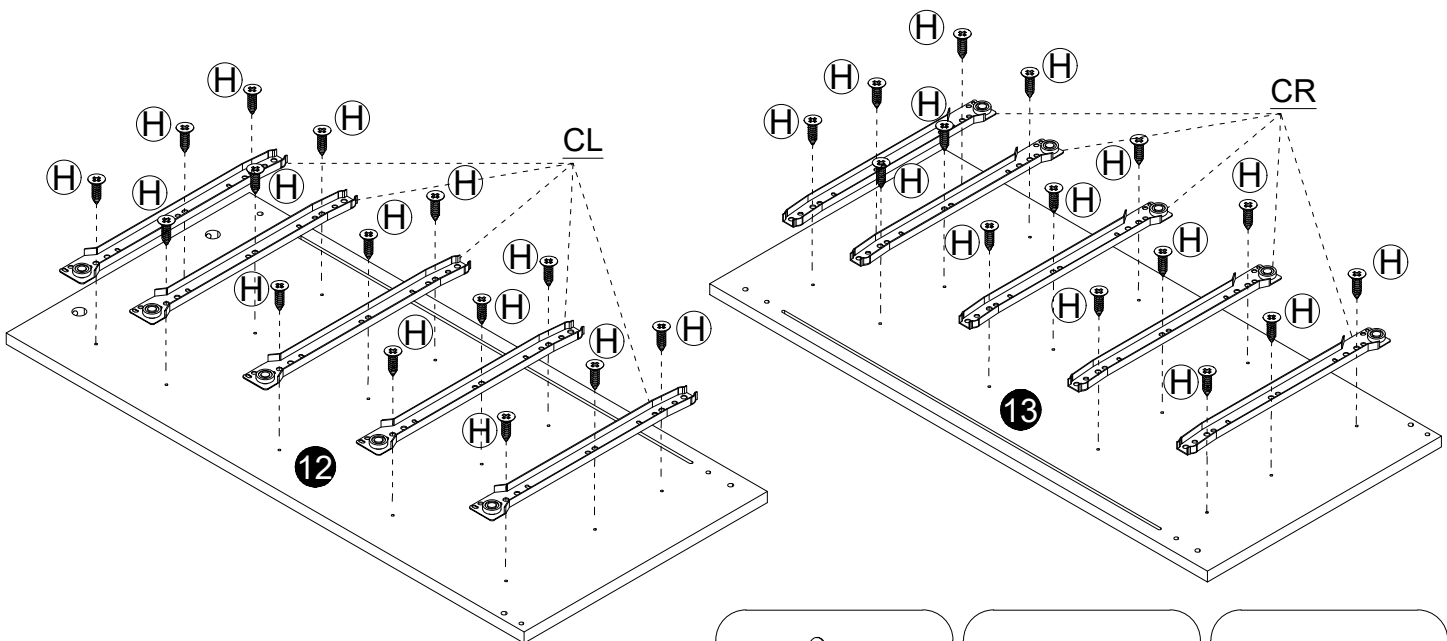
STEP 16



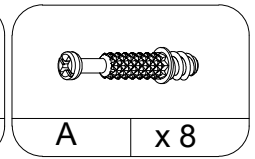
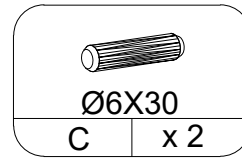
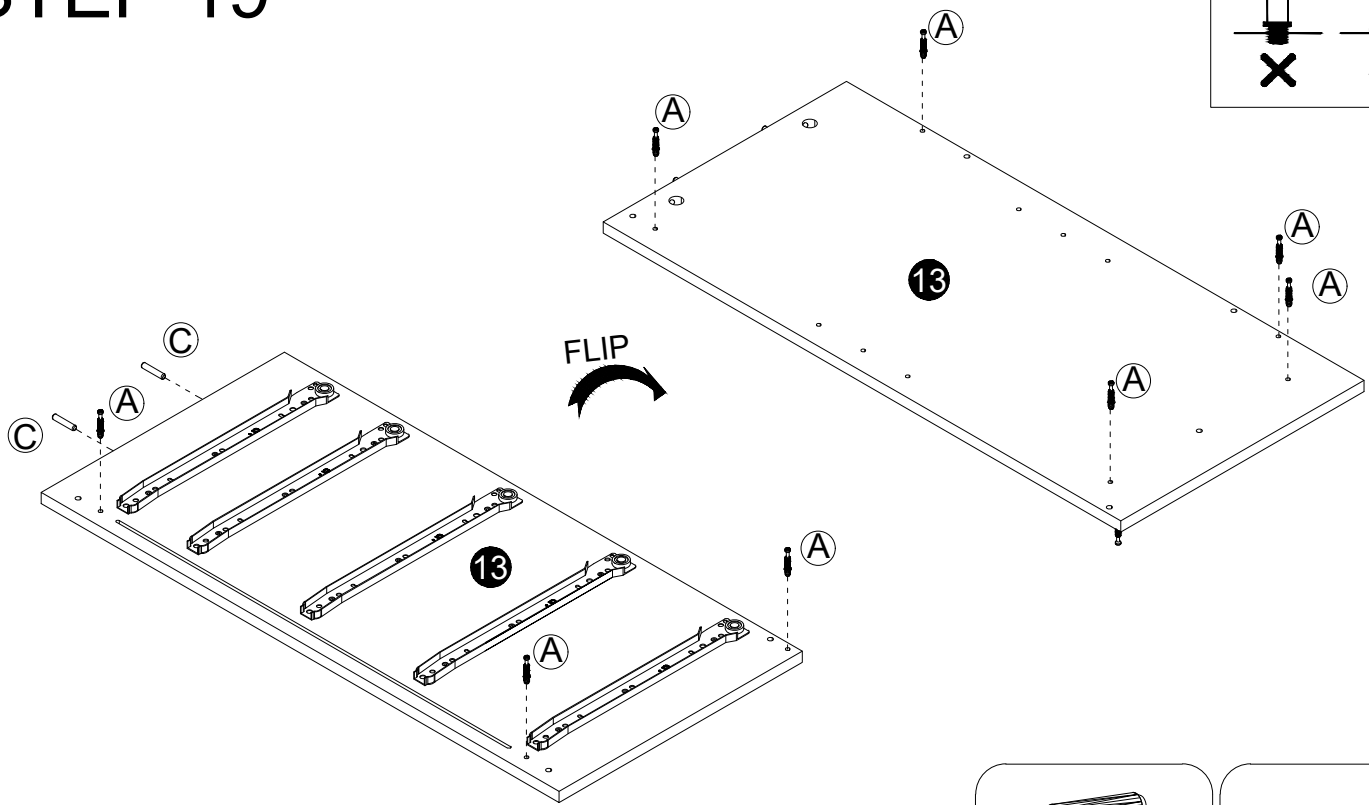
STEP 17



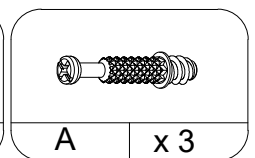
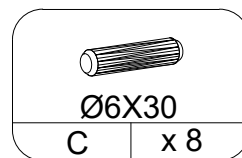
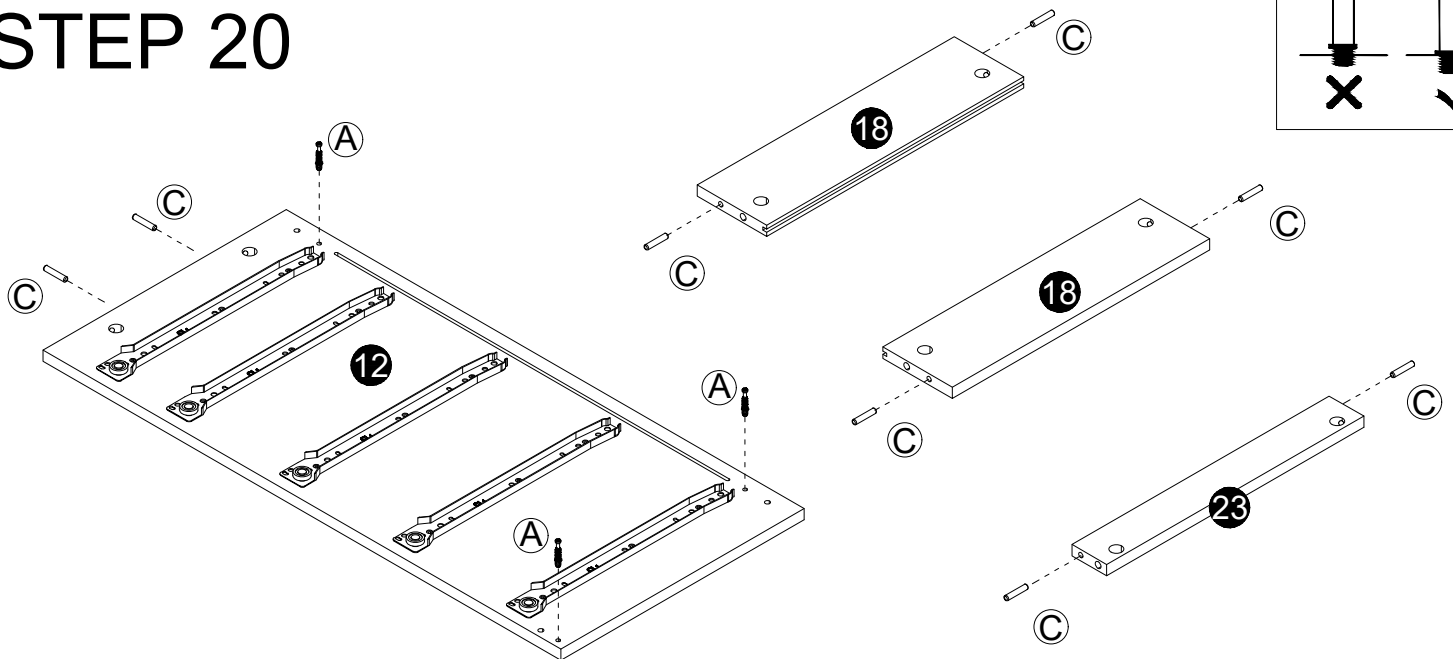
STEP 18



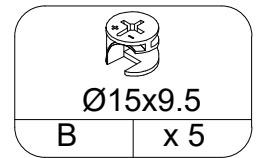
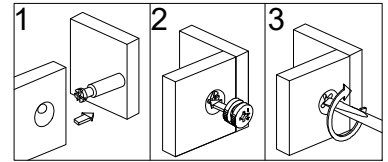
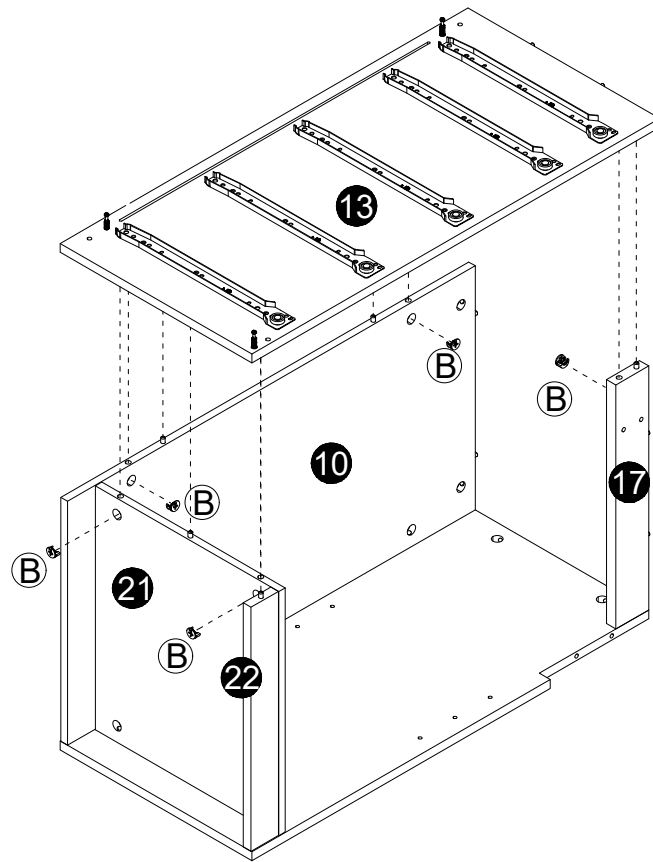
STEP 19



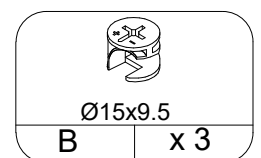
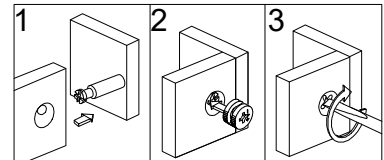
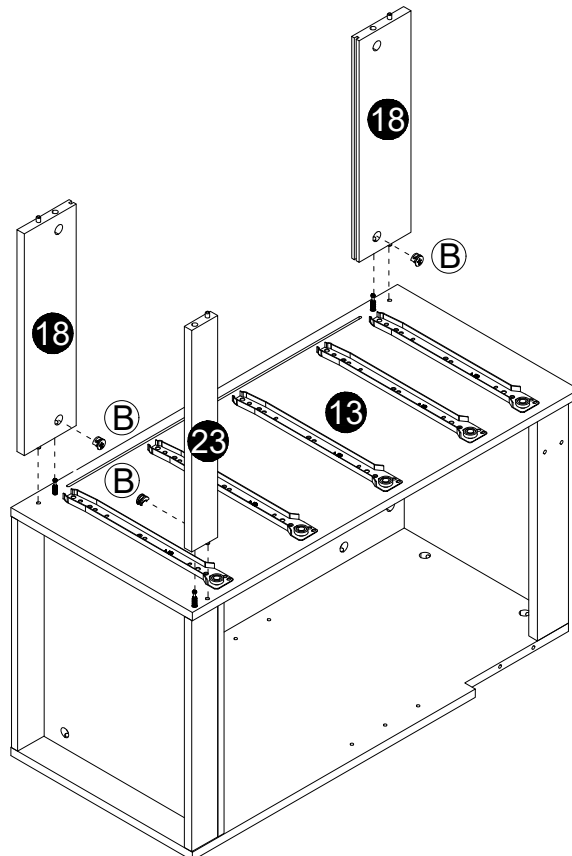
STEP 20



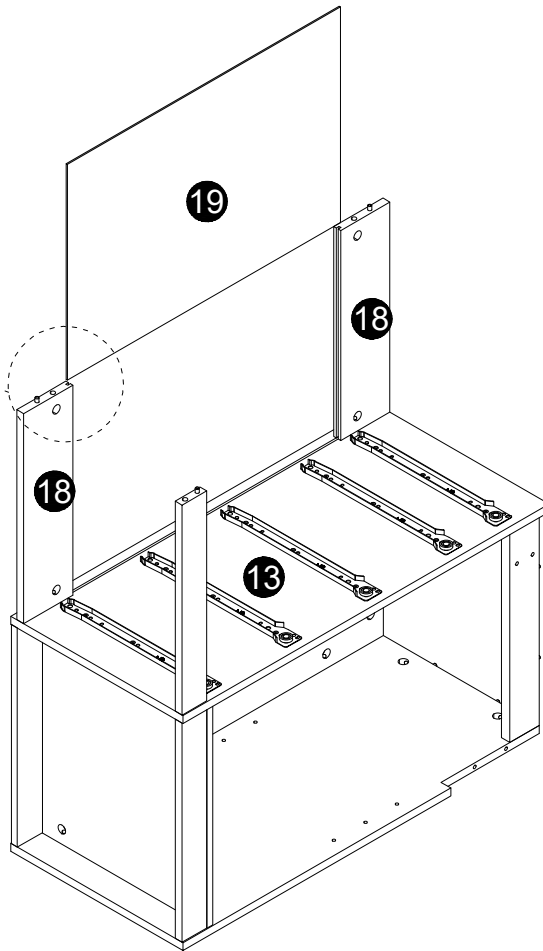
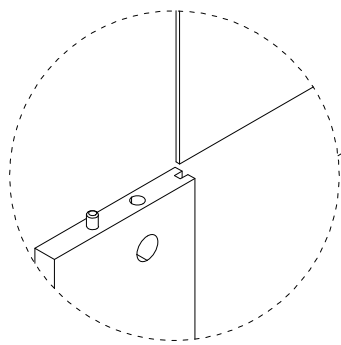
STEP 21



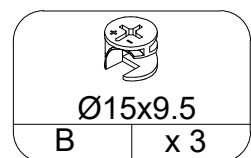
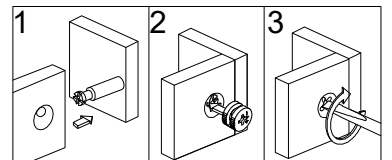
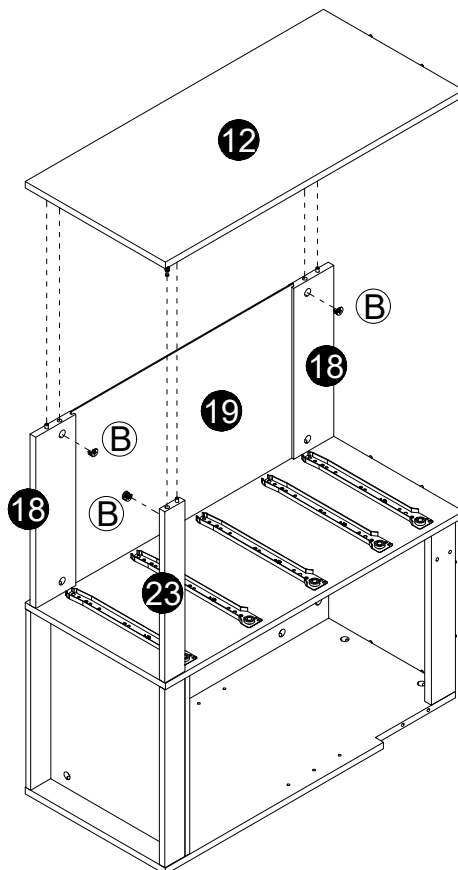
STEP 22



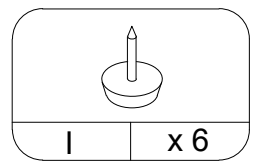
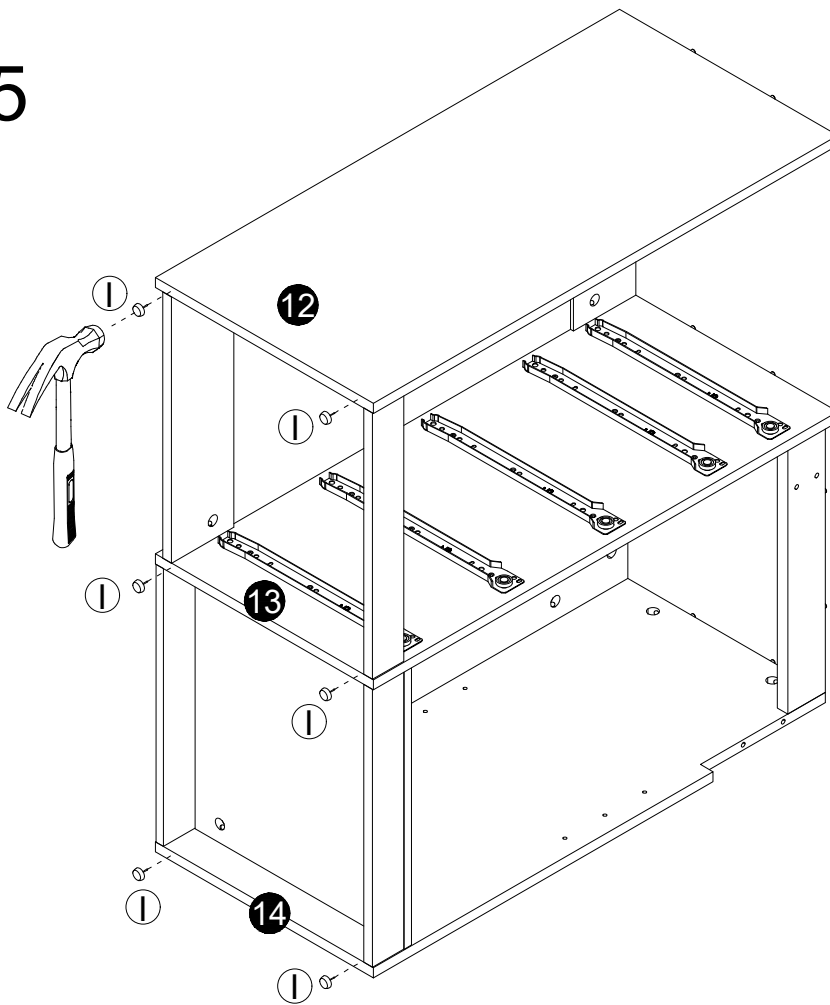
STEP 23



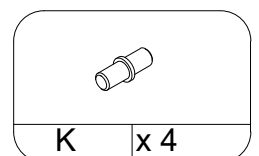
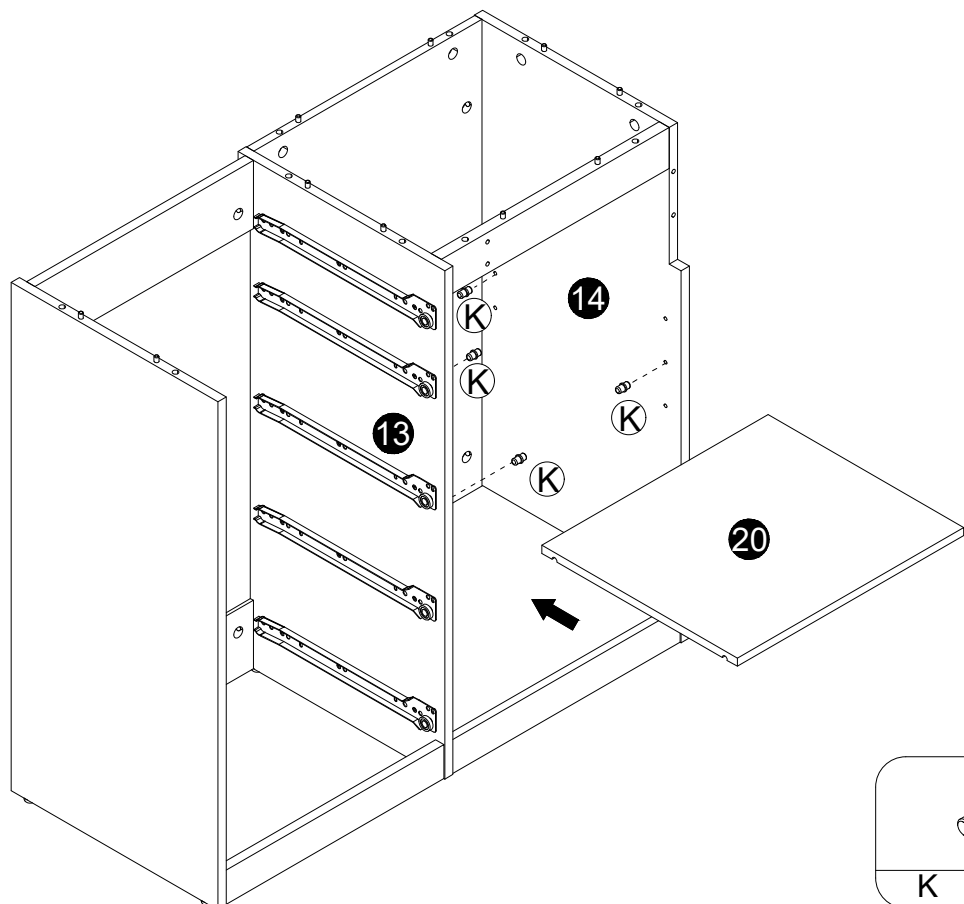
STEP 24



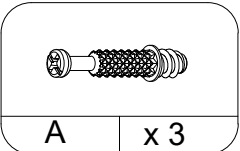
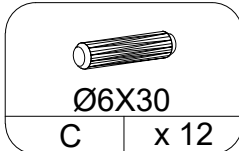
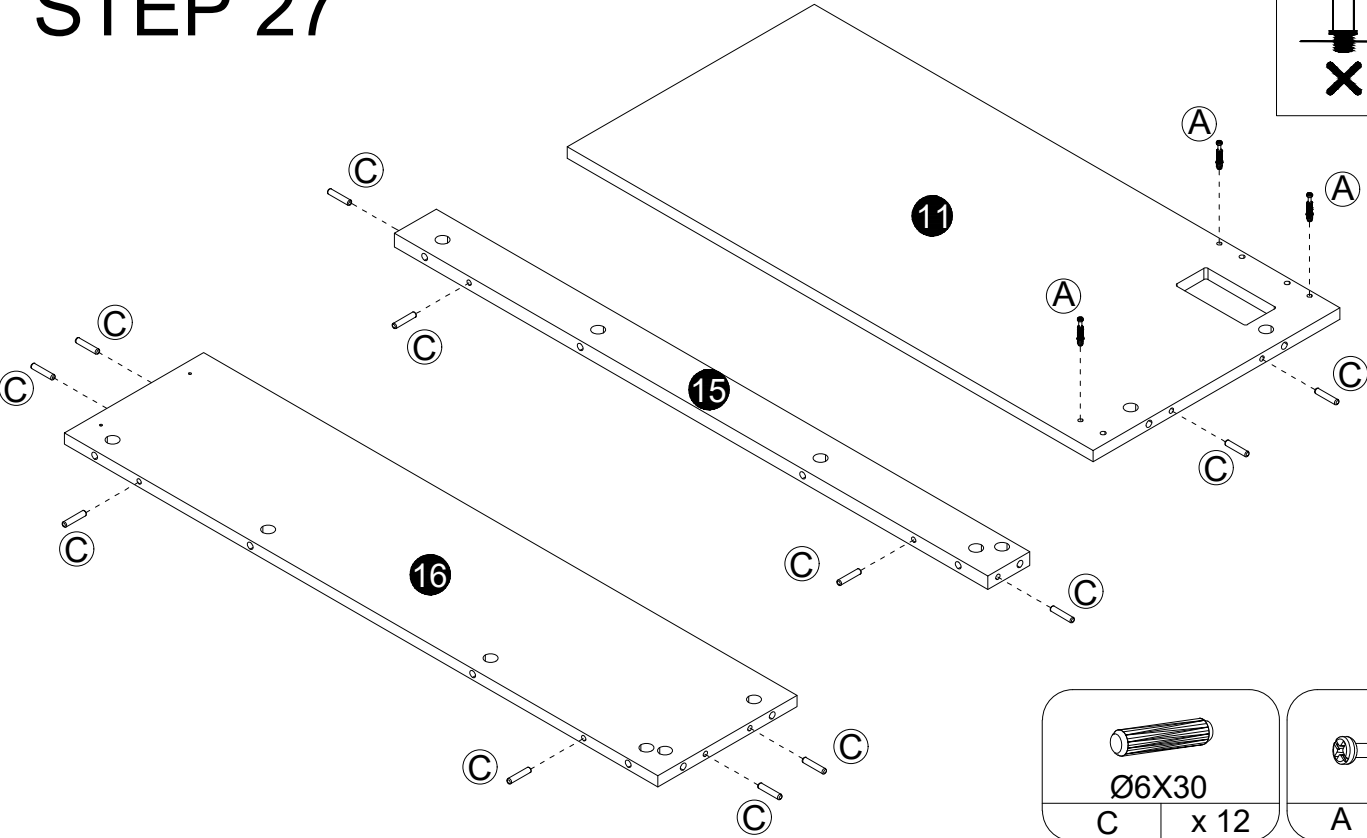
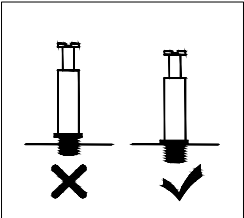
STEP 25



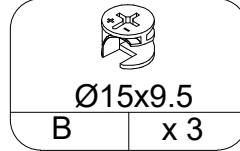
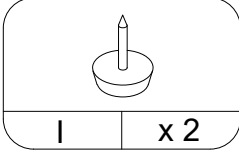
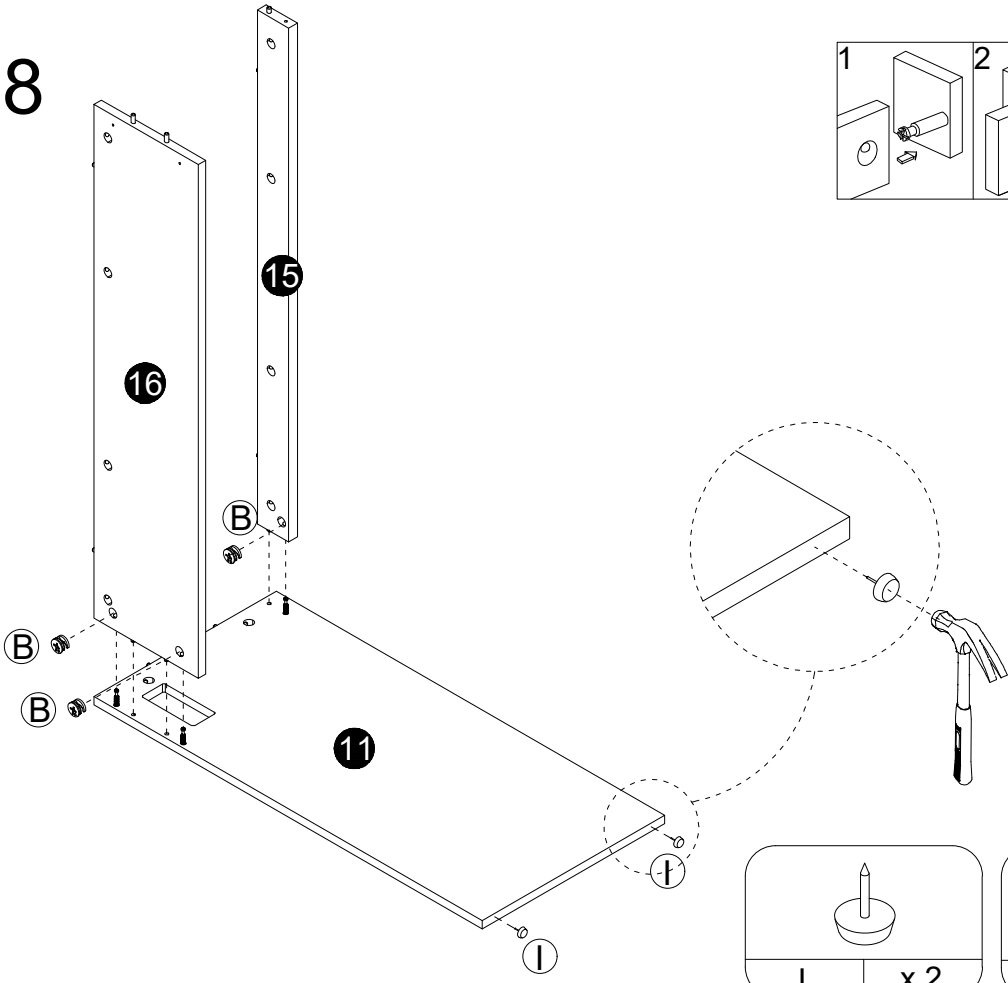
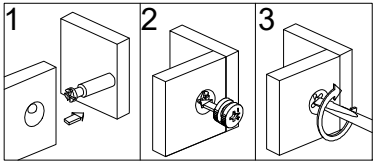
STEP 26



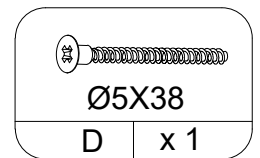
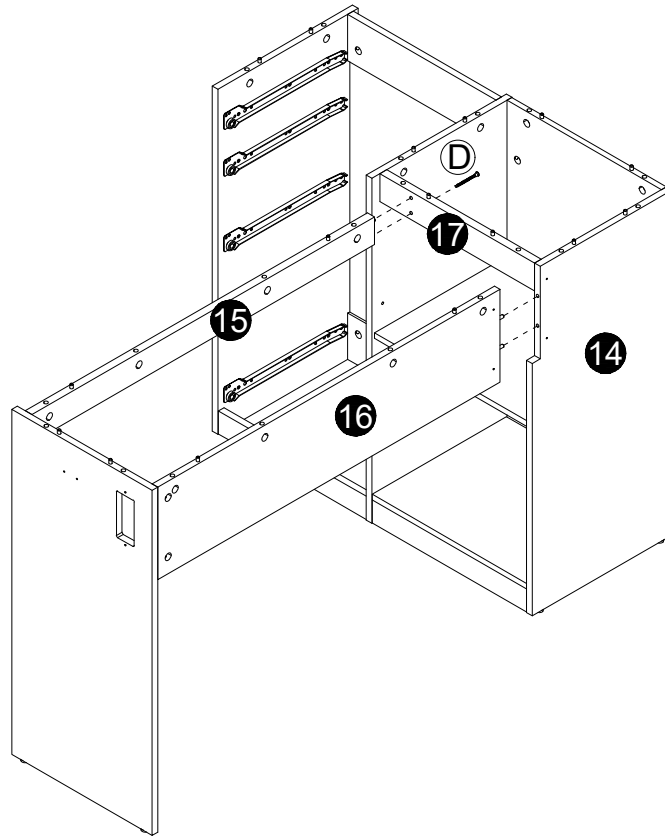
STEP 27



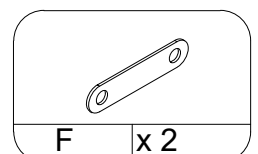
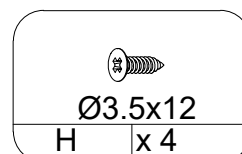
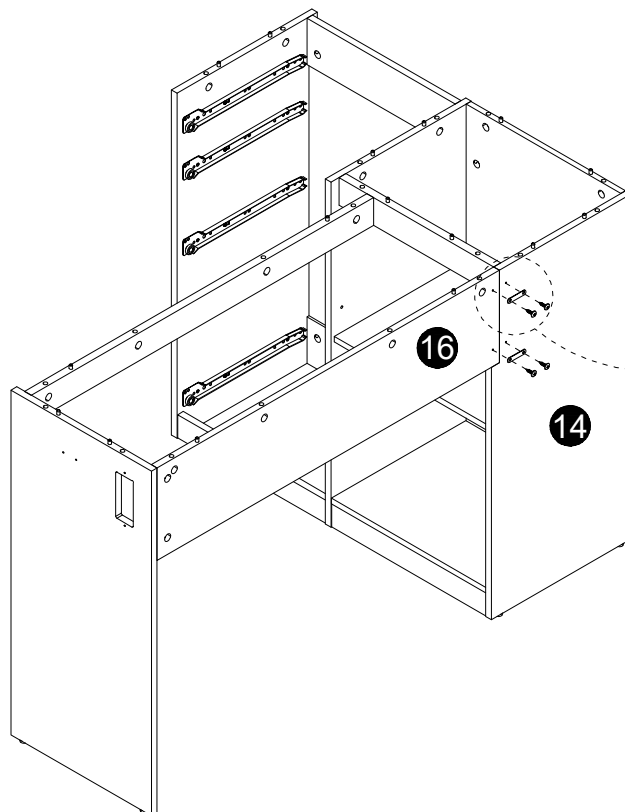
STEP 28



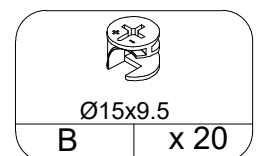
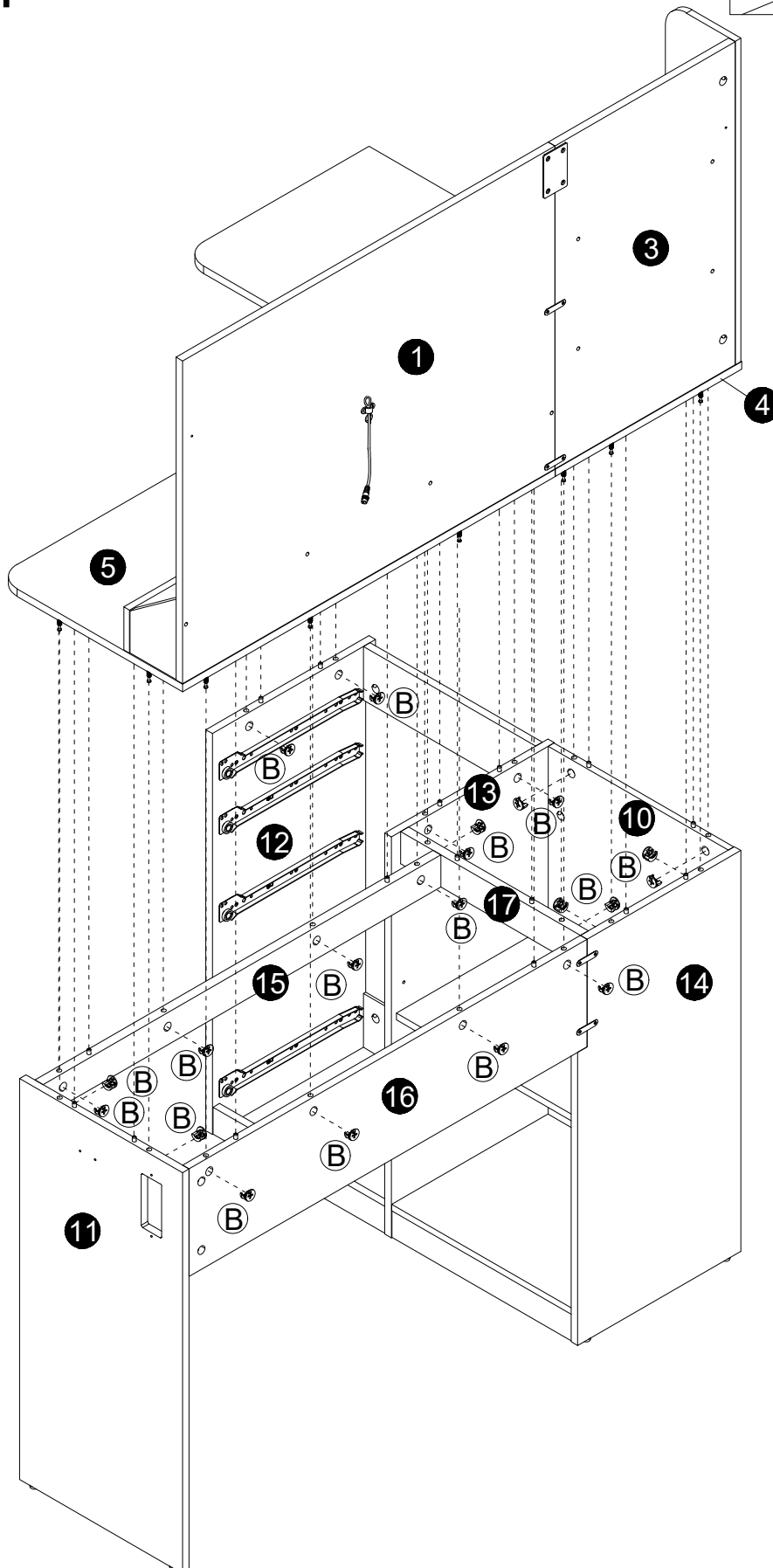
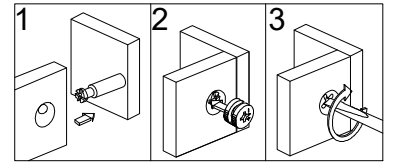
STEP 29



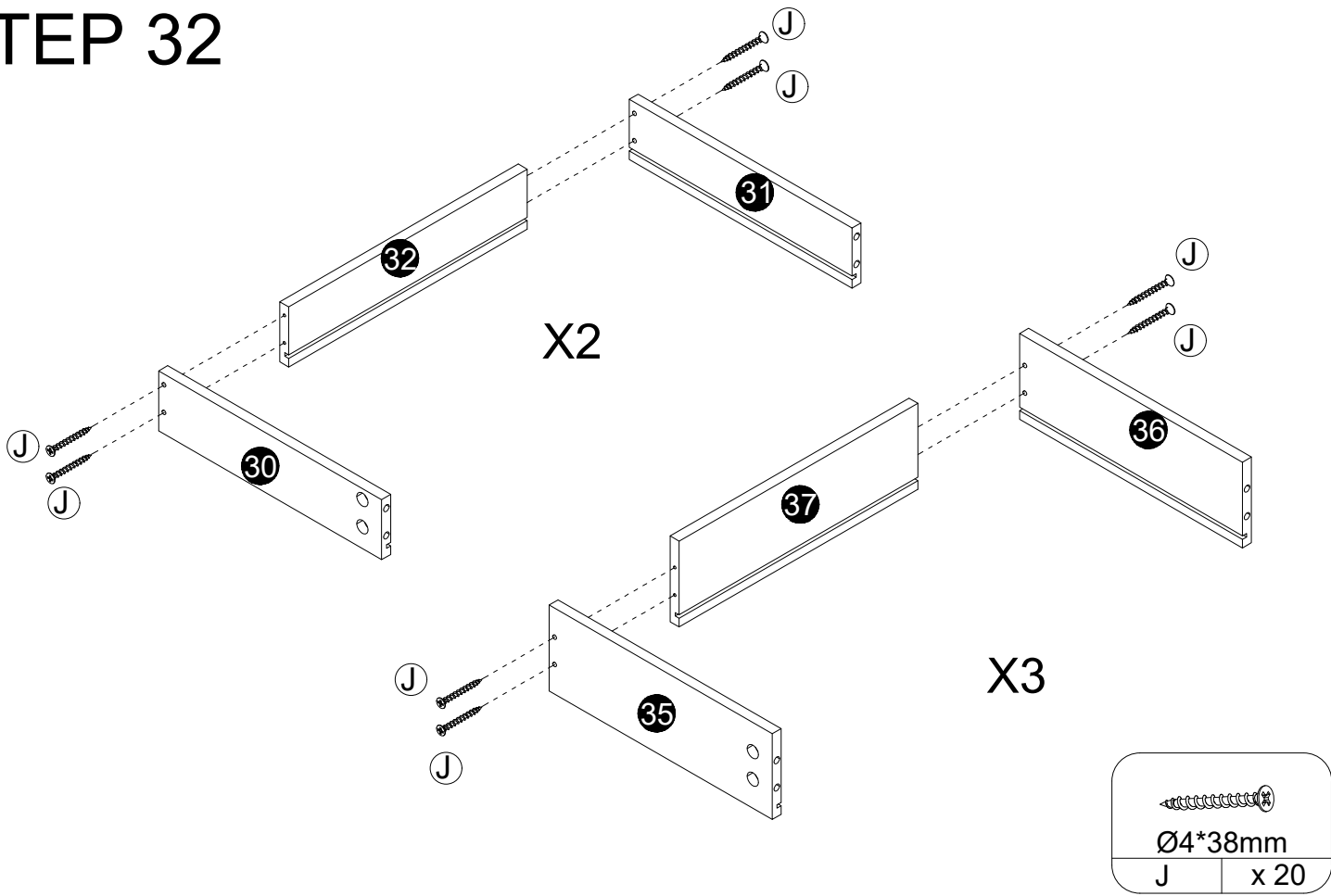
STEP 30



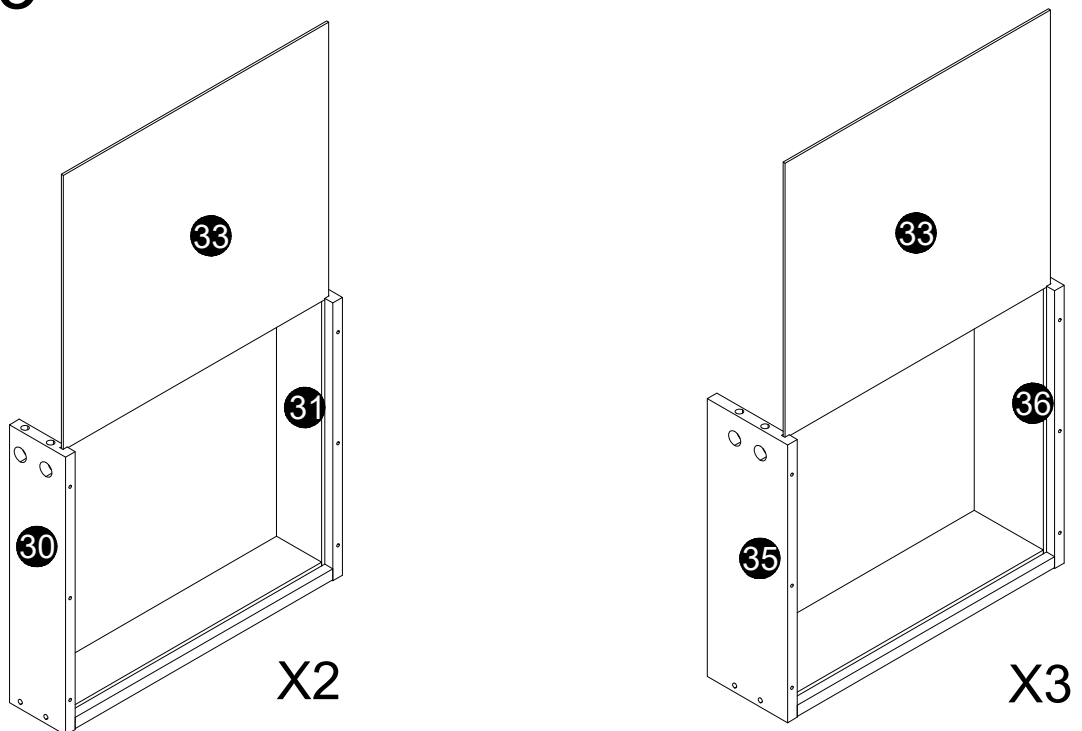
STEP 31



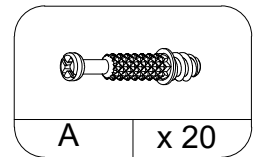
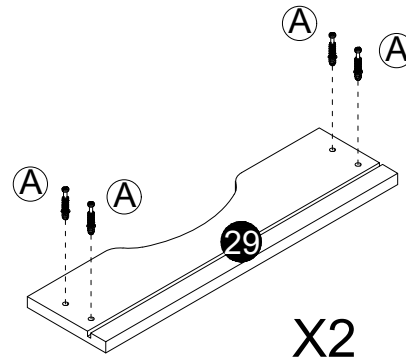
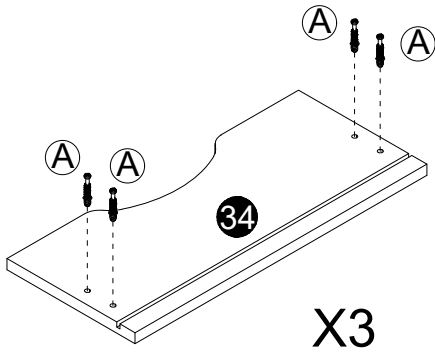
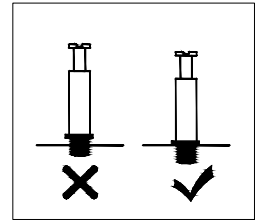
STEP 32



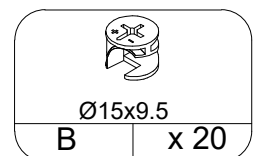
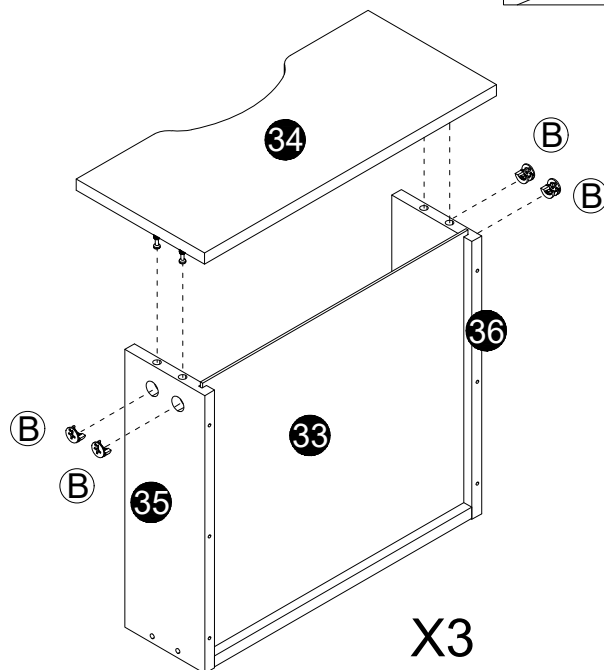
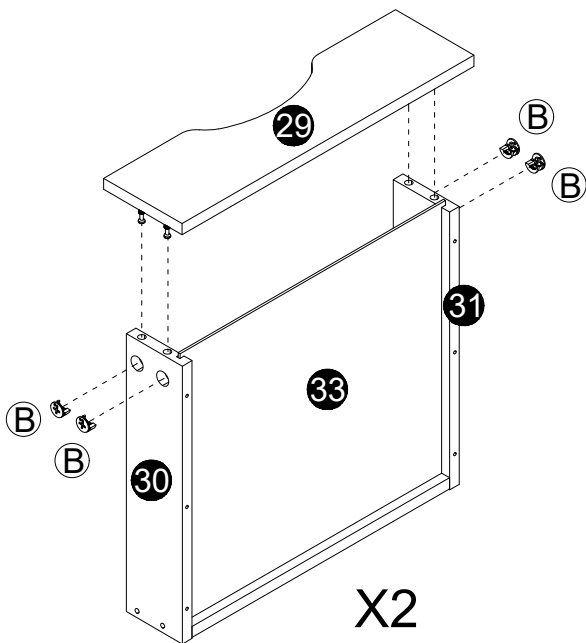
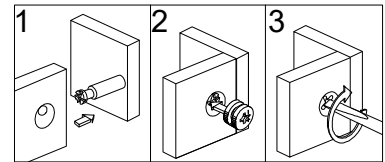
STEP 33



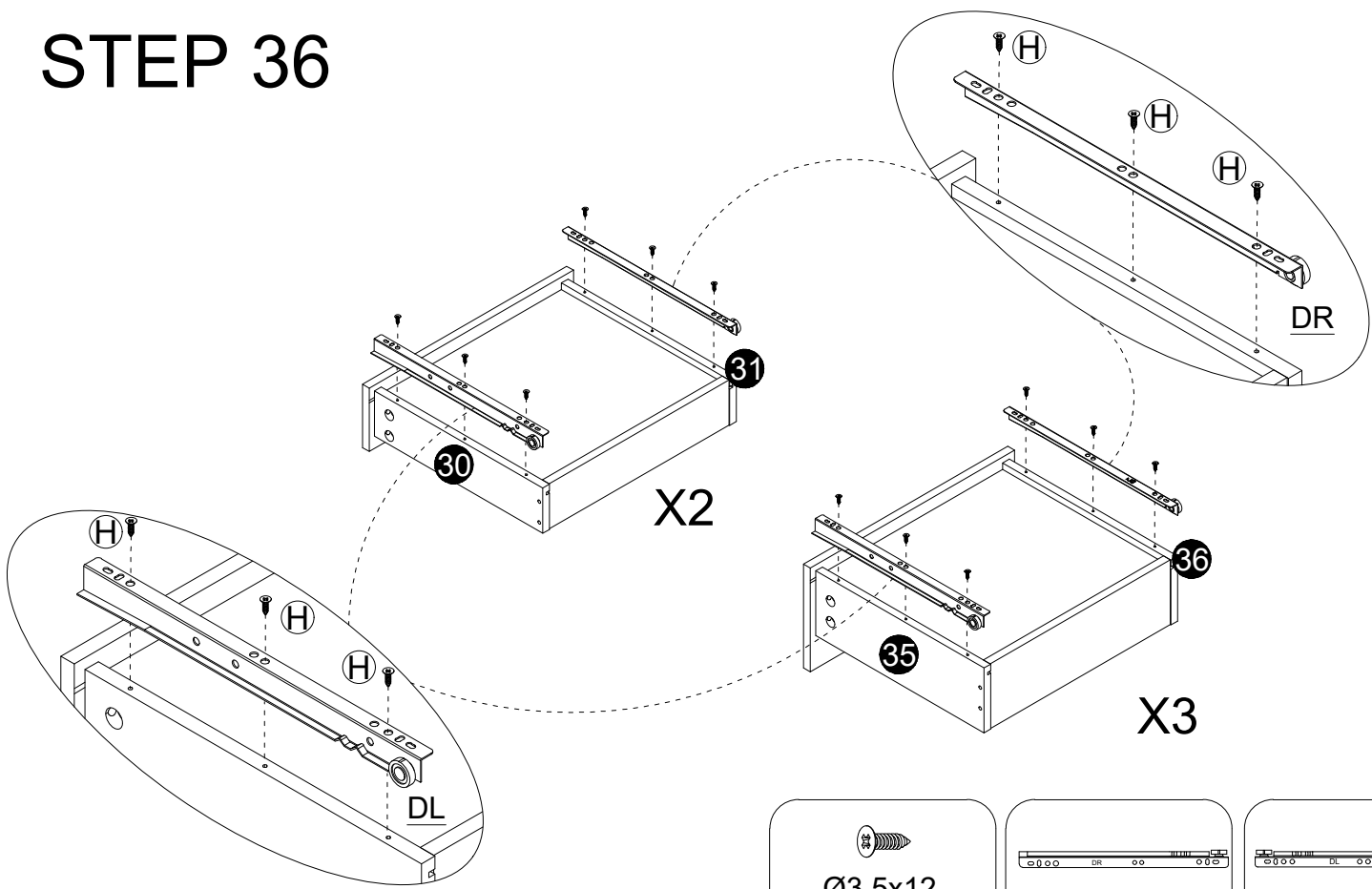
STEP 34





STEP 35

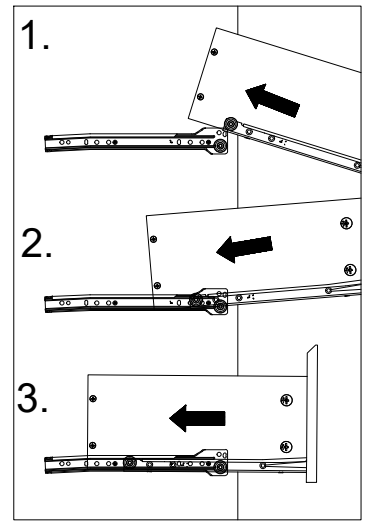
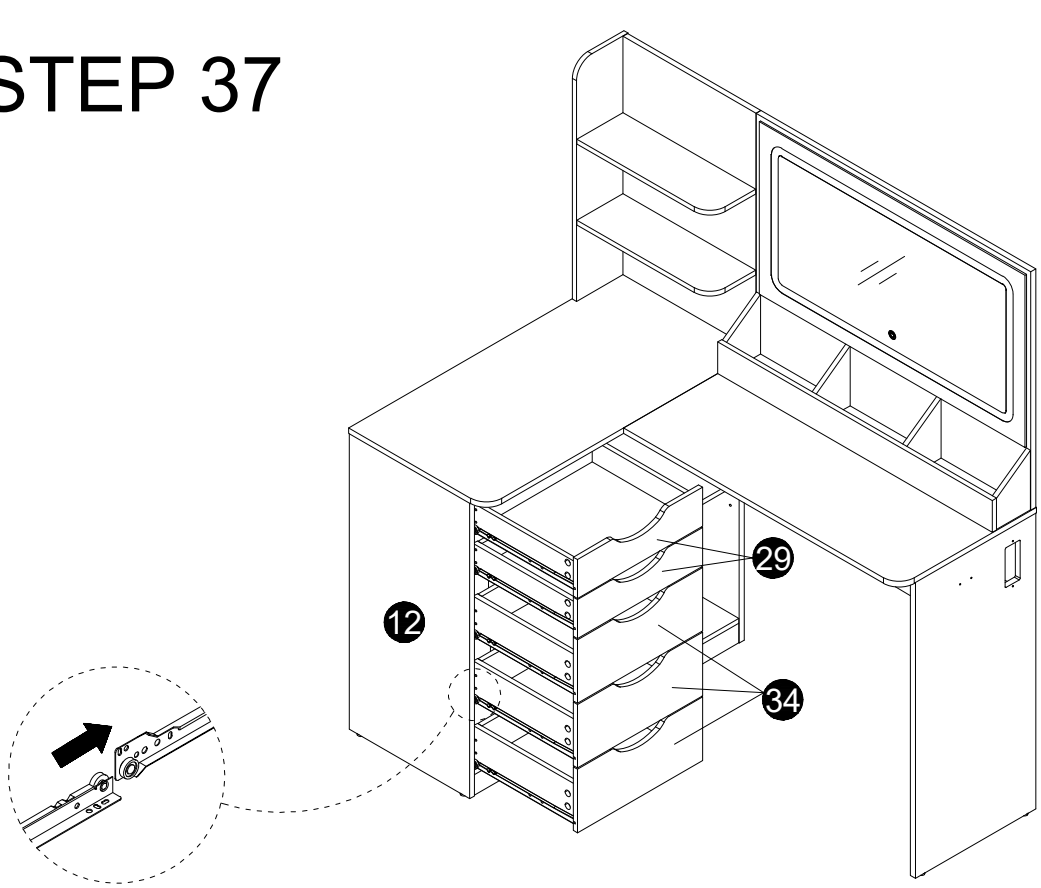


STEP 36

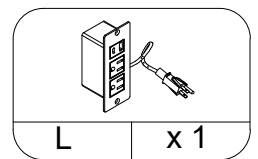
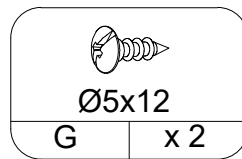
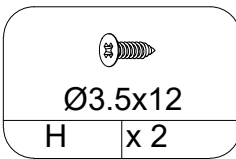
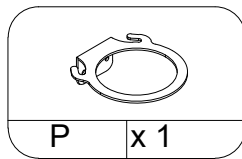
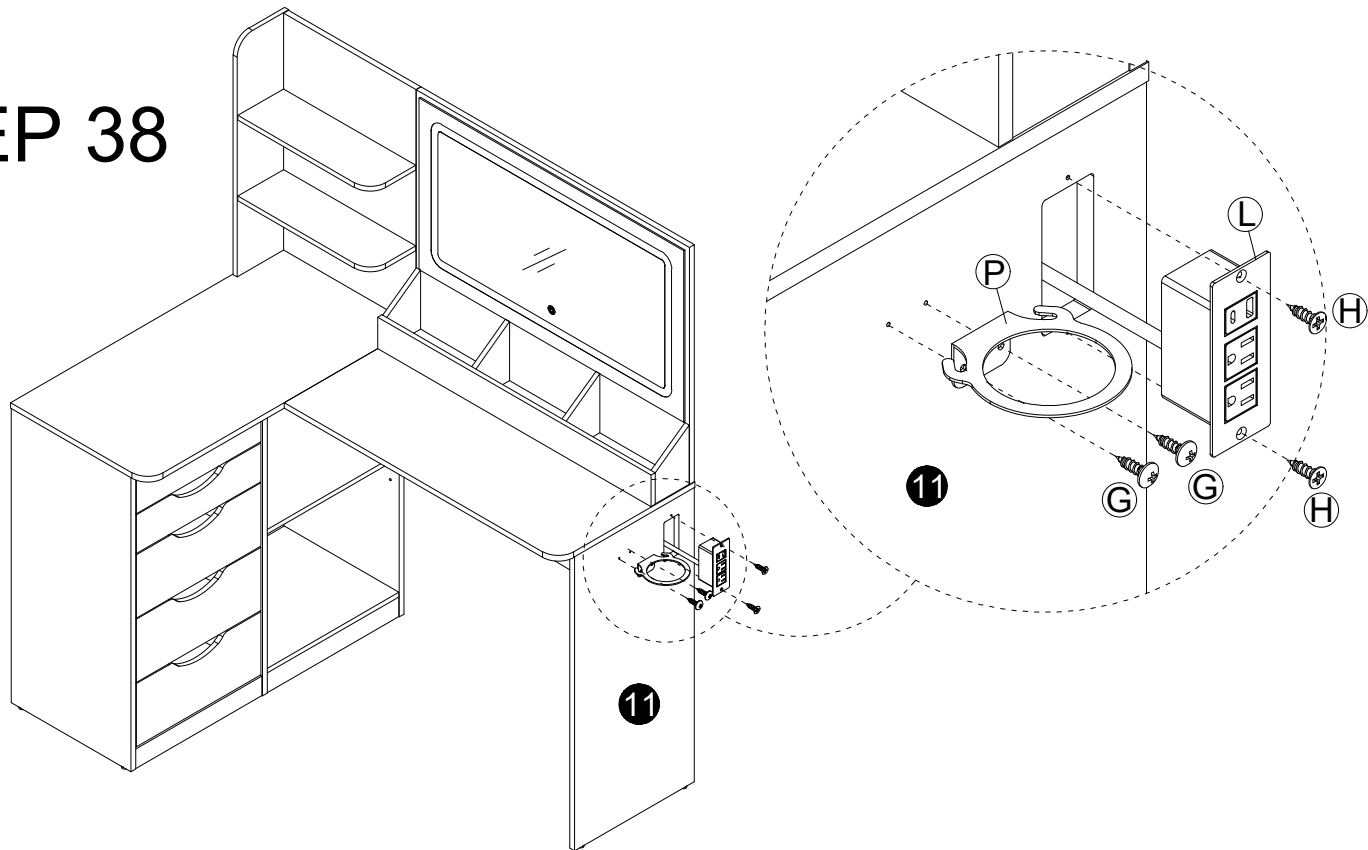


		
Ø3.5x12		
H	x 30	
	DR	x 5
		DL
		x 5

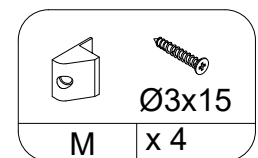
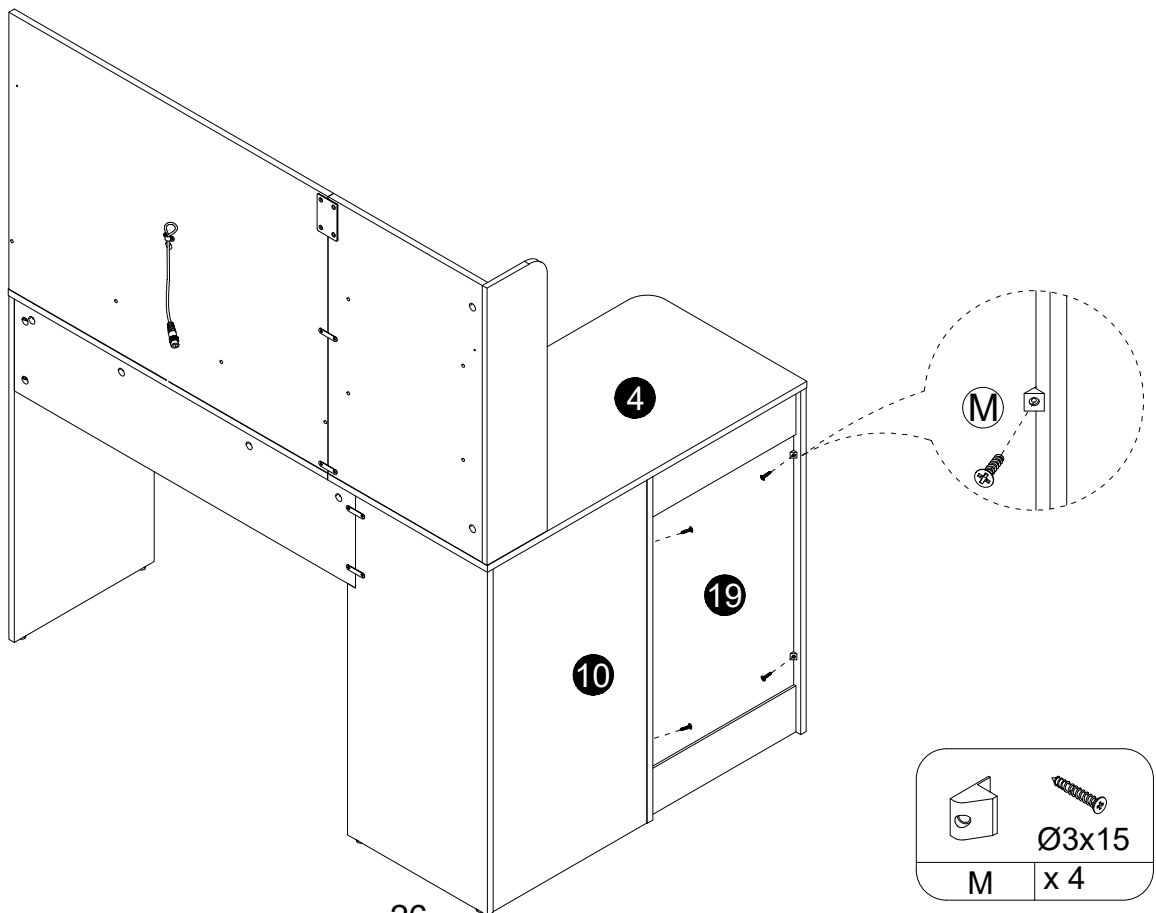
STEP 37



STEP 38

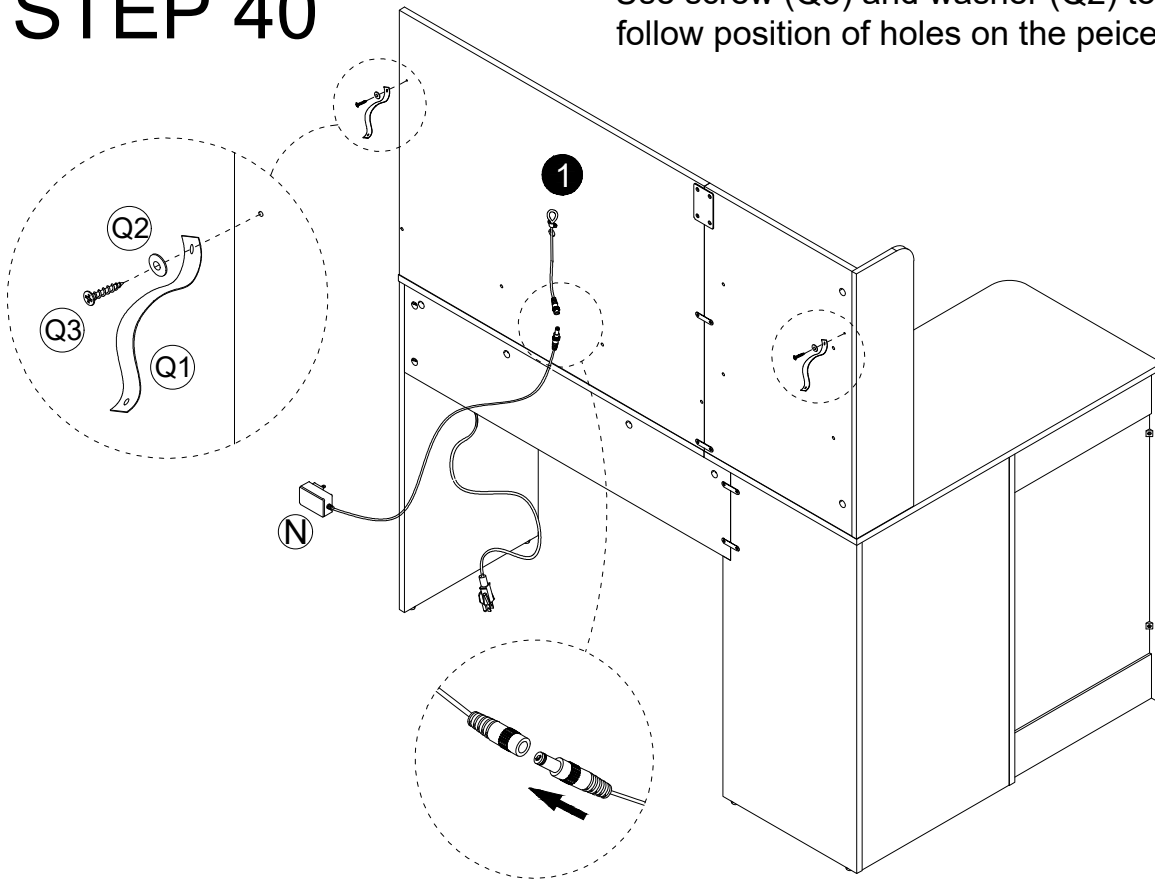


STEP 39

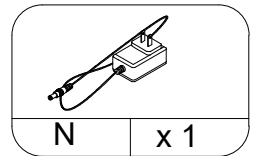


STEP 40

Use screw (Q3) and washer (Q2) to fix the strap (Q1) follow position of holes on the piece 1.

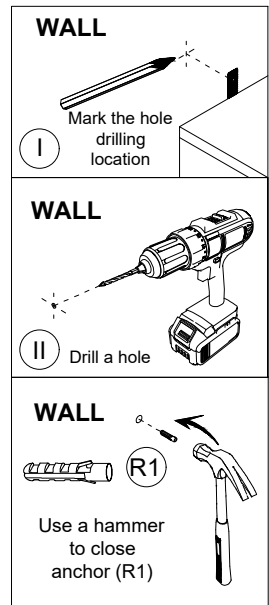
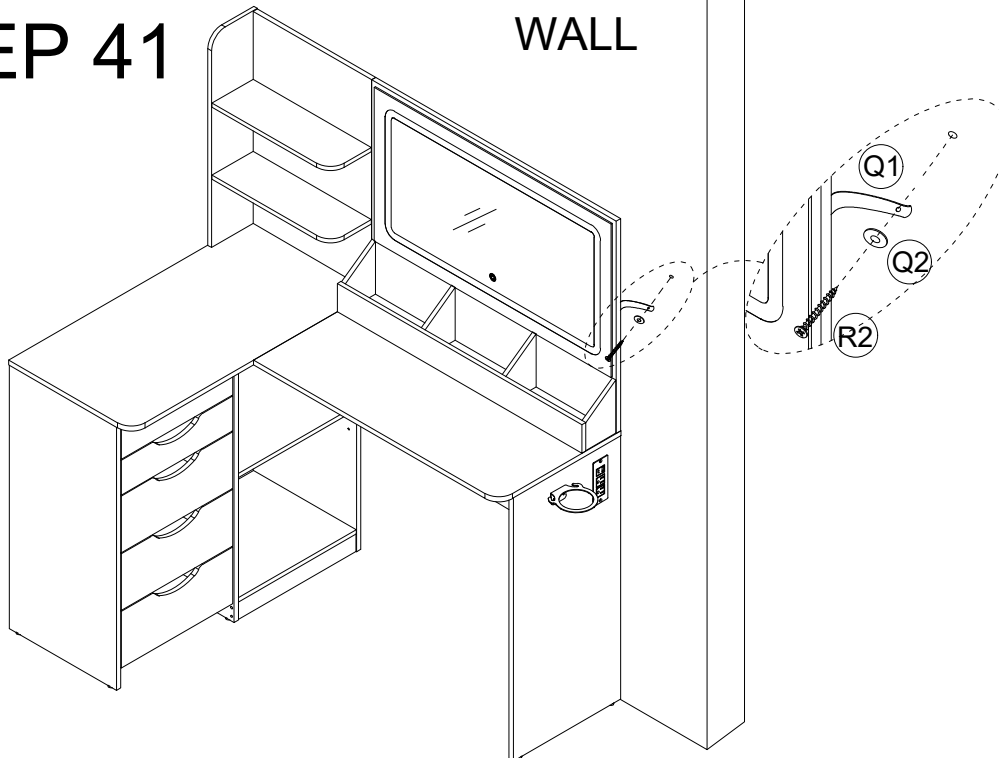


- Q1. x2PC
- Q2. x2PC
- Q3. x2PC



STEP 41

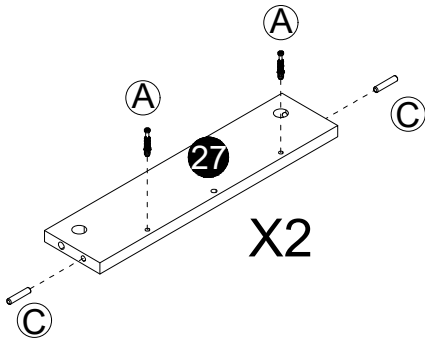
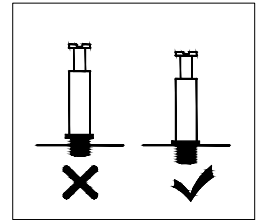
WALL



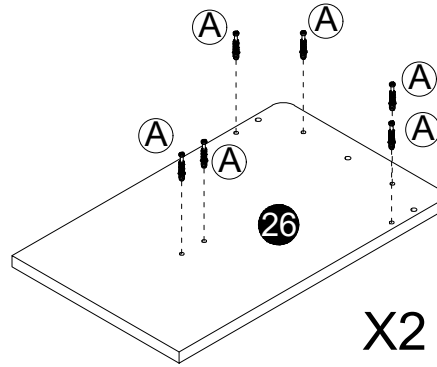
Step1: determine the location of the anti-overturning on the wall and then mark the position after confirming the product has been balanced.
 Step 2: drill the hole and then fixed the anchor (R1) on the wall.
 Step 3: use screw (R2) to fix the strap (Q1), (Q2) on the wall .

- R1. x2PC
- R2. x2PC
- Q2. x2PC

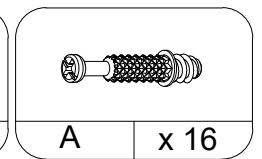
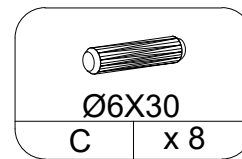
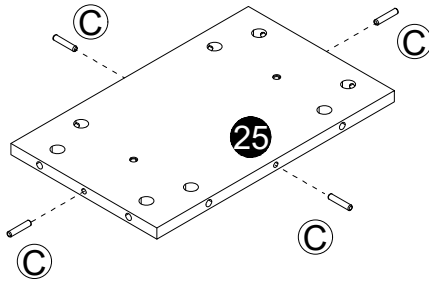
STEP 42



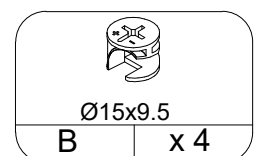
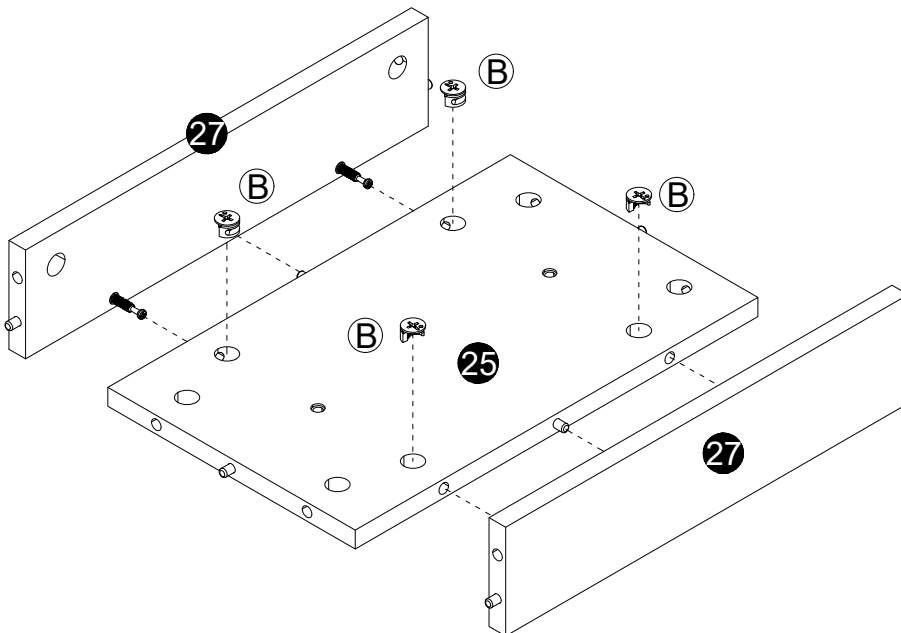
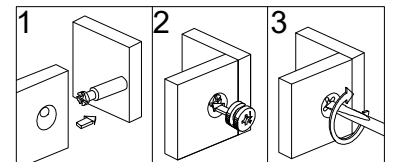
X2



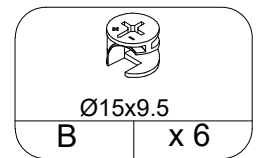
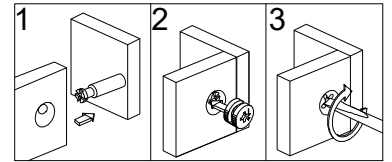
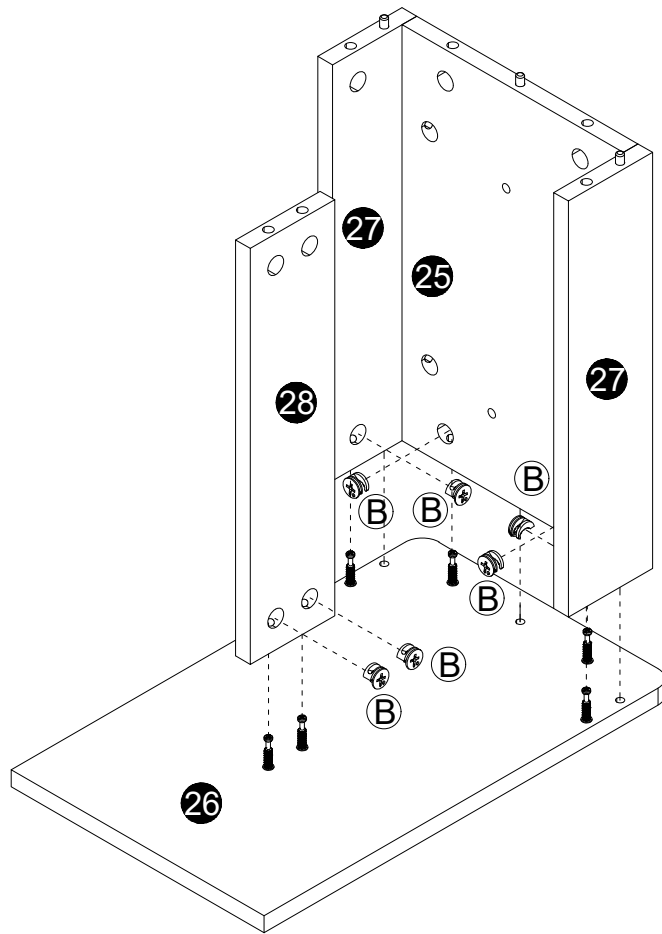
X2



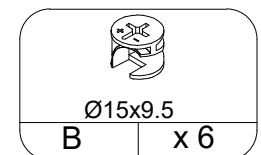
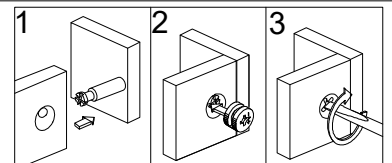
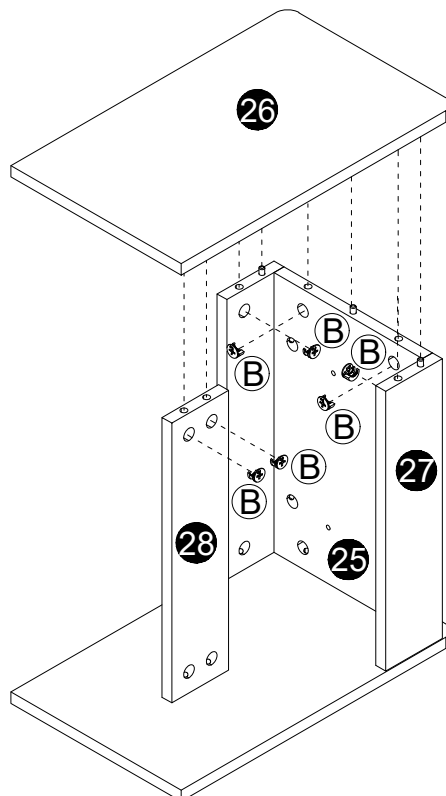
STEP 43



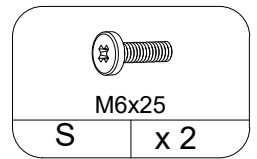
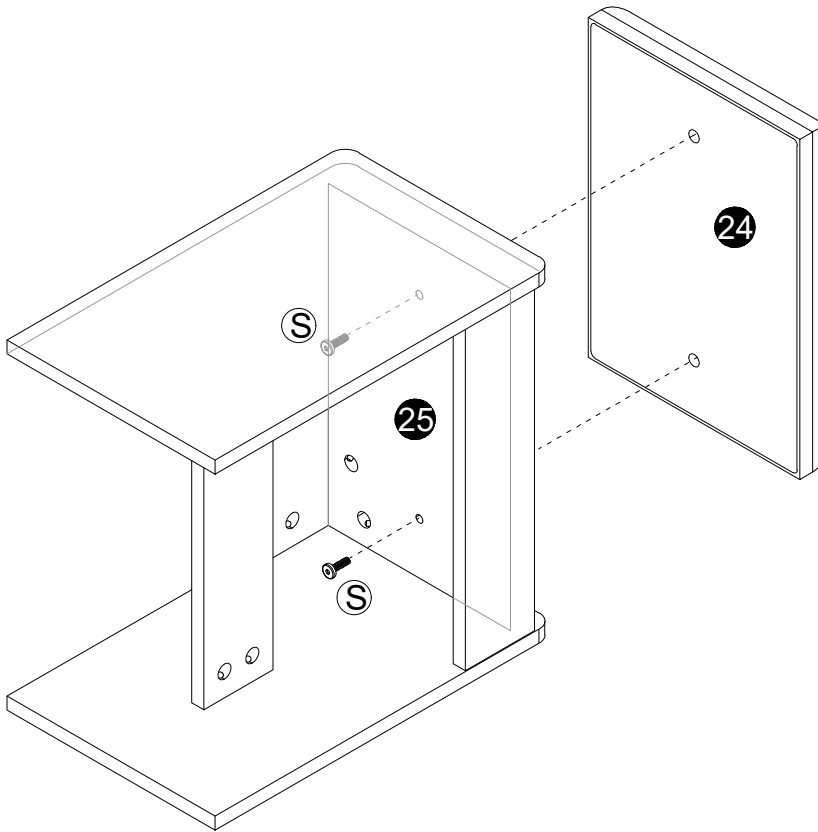
STEP 44



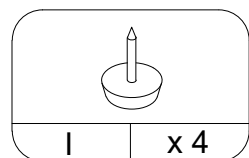
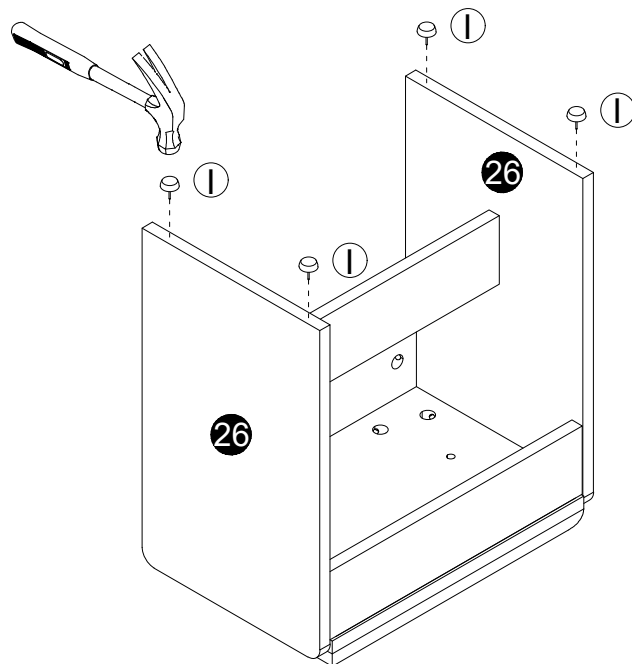
STEP 45



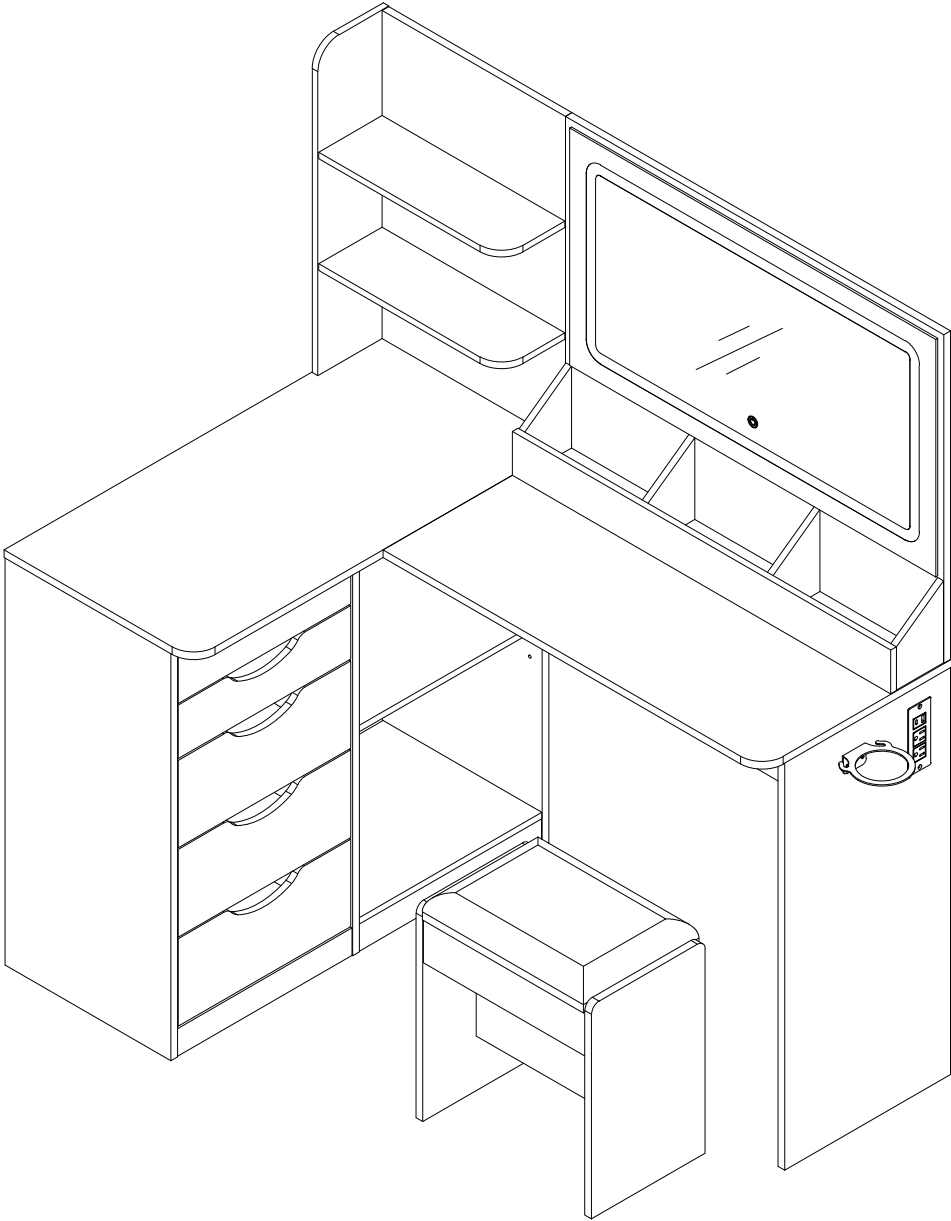
STEP 46



STEP 47



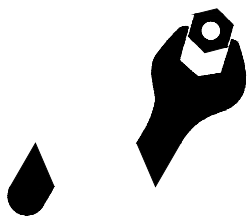
STEP 48



FURNITURE CARE AND MAINTENANCE

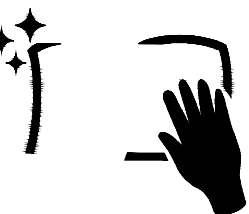
Medium - Density Fiberboard

Thank you for your purchase. We want your item to last as long as possible. To ensure the product gives you years of service, please refer to this care and maintenance guide.



MAINTENANCE

- Tighten all bolts and screws again within the first 2 weeks of assembly
- Check the tightness of all bolts every 2 months, tighten them if necessary



CLEANING

- Clean the surface of the MDF (medium - density fiberboard) with a lightly dampened cloth.
- Small amount of mild soap can be used if necessary
- Dry the surface immediately after cleaning.

- ⚠ DO NOT use bleach or alcohol detergent to clean the surface.
- ⚠ DO NOT apply wood treatment on parts made with MDF.

Medium - density fiberboard will swell and distort when suffer from water damage. Make sure to dry the furniture immediately after cleaning