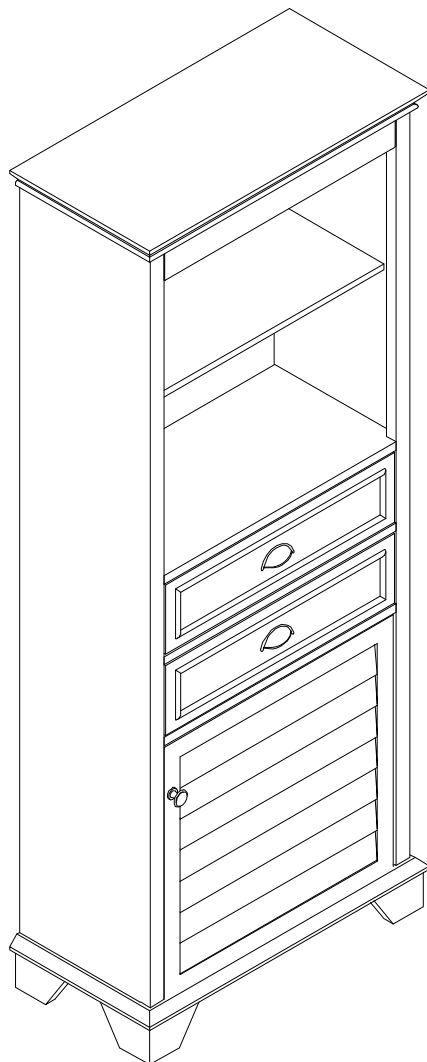


Tall Bathroom Cabinet

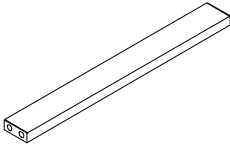
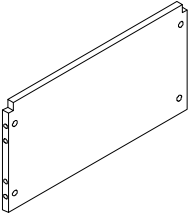
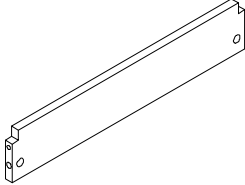
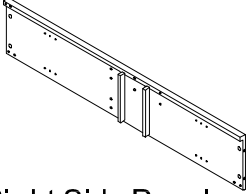
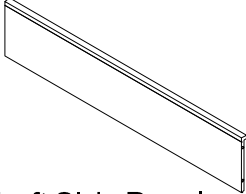
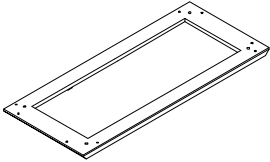
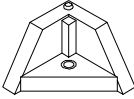
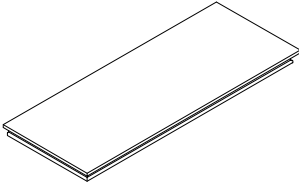
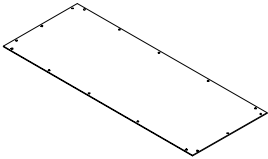
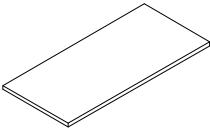
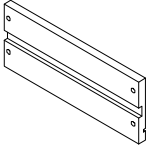
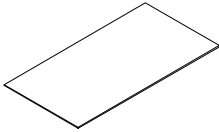
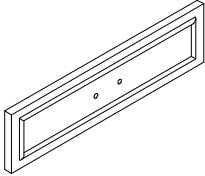
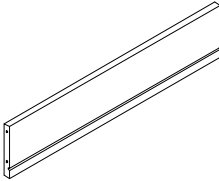
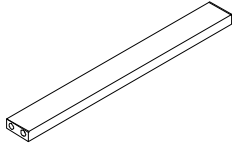
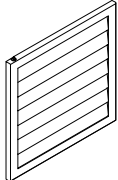
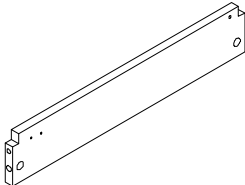


Congratulations! You have purchased a stylish piece of us. We strived to provide fine furniture products, built with quality materials and hand finished details. Please carefully follow the assembly instructions to ensure your furniture is assembled correctly to provide long lasting enjoyment.


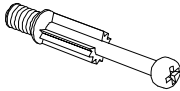
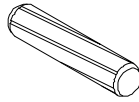
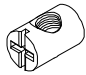
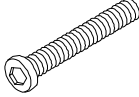
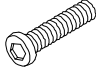
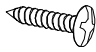
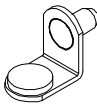

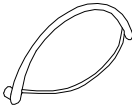

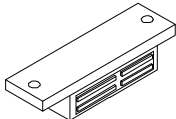
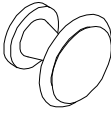

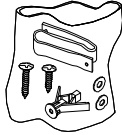
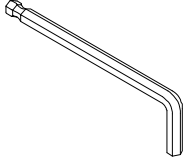
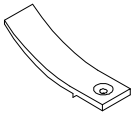

Should you experience any missing or damaged parts, **do not return to the store.**

Care: Use a soft clean cloth that will not scratch the surface when dusting. Use of furniture polish is not necessary. Should you choose to use polishes, test in an inconspicuous area first. Use of solvents of any kind may damage your furniture's finish. To clean, simply use a soft clean cloth moistened with lukewarm water, then buff with a dry soft clean cloth.



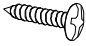
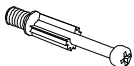


PART LIST

 <p>Front Top Rail</p>	 <p>Fixed Shelf</p>	 <p>Upper Rail</p>
<p>1 1pc</p>	<p>2 1pc</p>	<p>3 1pc</p>
 <p>Right Side Panel</p>	 <p>Left Side Panel</p>	 <p>Bottom Panel</p>
<p>4 1pc</p>	<p>5 1pc</p>	<p>6 1pc</p>
 <p>Leg</p>	 <p>Top Panel</p>	 <p>Back panel</p>
<p>7 4pcs</p>	<p>8 1pc</p>	<p>9 1pc</p>
 <p>Adjustable shelf</p>	 <p>Drawer Side Panel</p>	 <p>Drawer Bottom Panel</p>
<p>10 2pcs</p>	<p>11 4pcs</p>	<p>12 2pcs</p>
 <p>Drawer Front Panel</p>	 <p>Drawer Back Panel</p>	 <p>Back rail</p>
<p>13 2pcs</p>	<p>14 2pcs</p>	<p>15 2pcs</p>
 <p>Door</p>	 <p>Nether Rail</p>	
<p>16 1pc</p>	<p>17 1pc</p>	

HARDWARE LIST

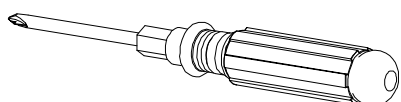
	Cam Lock Ø15*12mm		Cam Bolt Ø6*42mm		Wood Dowel Ø8*30mm
A	18pcs	B	18pcs	C	30pcs
	Barrel Nut Ø6*12mm		Long Bolt Ø6*50mm		Short Bolt Ø6*28mm
D	4pcs	E	4pcs	F	4pcs
	Screw Ø3*15mm		Shelf Support Ø6.5mm		Long Screw Ø3.5*25mm
G	28pcs	H	8pcs	I	16pcs
	Handle L85*W30*H27		Short Round Head Bolt Ø5/32"*12mm		Magnet L45*H12mm
J	2pcs	K	4pcs	L	1pc
	Knob Ø29*27mm		Long Round Head Bolt Ø5/32"*19mm		Safety Strap Kit
M	1pc	N	1pc	O	1Set
	Allen Key 4mm		Drawer Stopper Ø29*27mm		Short Screw Ø3*12mm
P	1pc	Q	2pcs	R	2pcs

EXTRA HARDWARE LIST

 AX2	 CX2	 GX2
 BX2	 FX1	 IX2

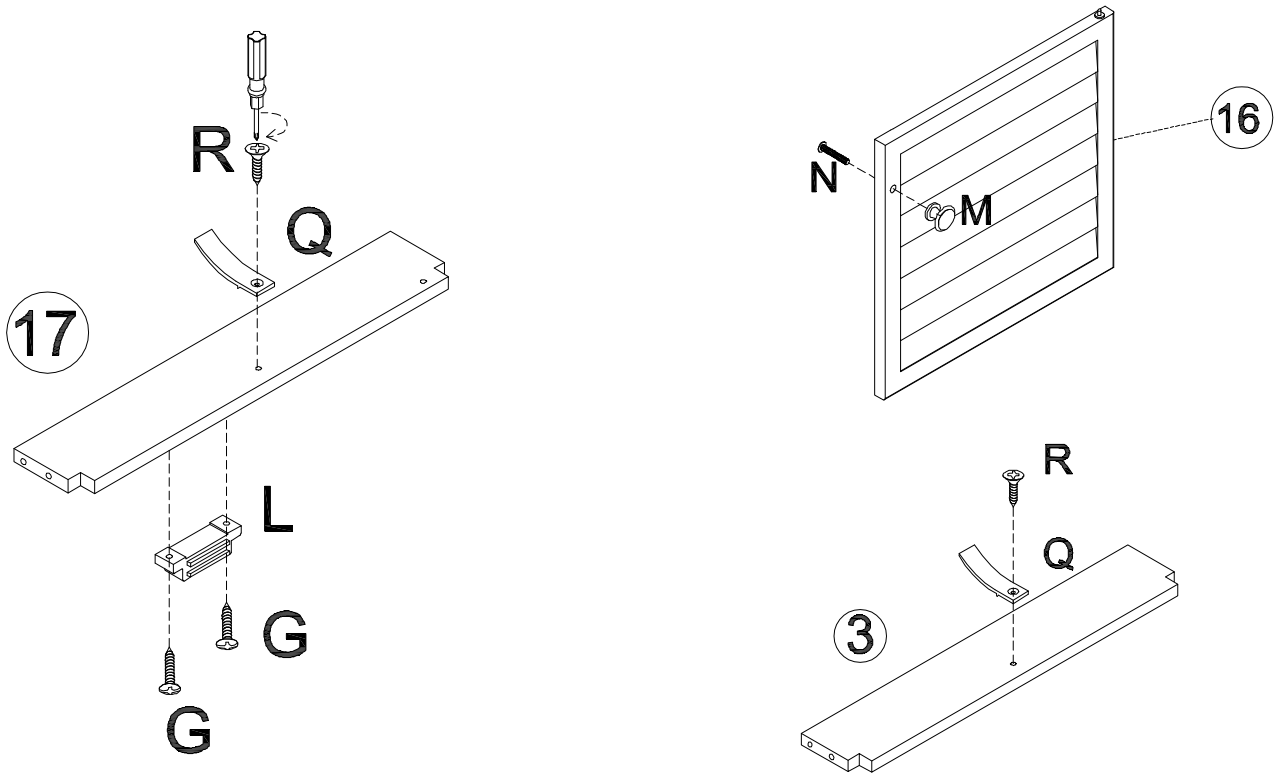
ADDITIONAL TOOLS (Not Provided)

Note: It is not recommended to use power tools during assembly. You may use power tools to assist in mounting the safety strap kit to the wall.



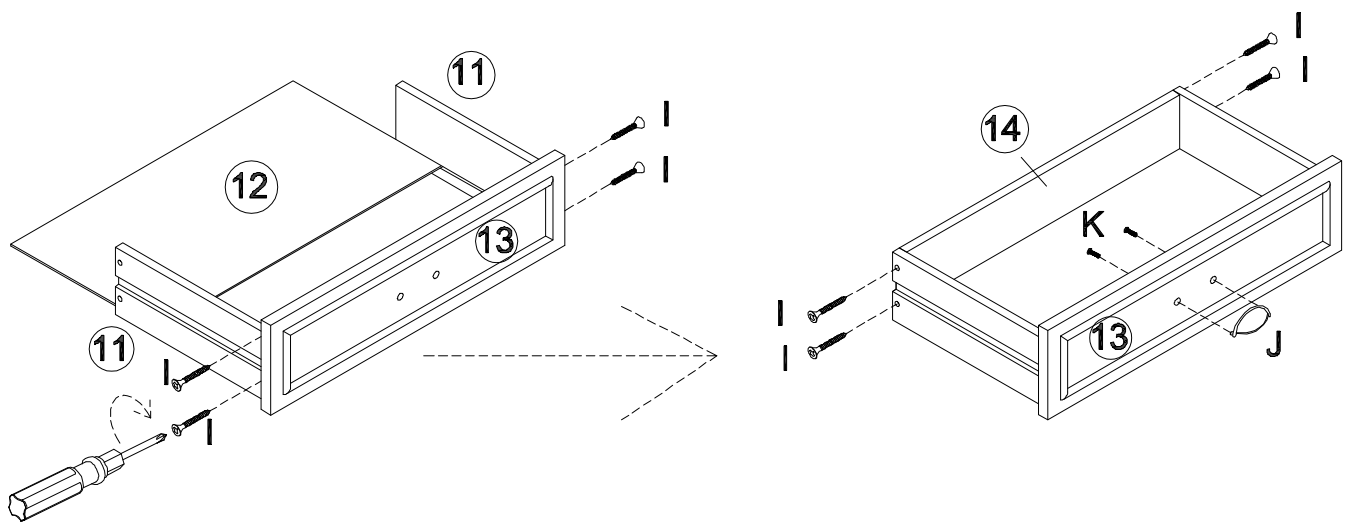
Phillips Head Screw Driver

Step 1. Attach Drawer Stopper (Q) and Magnet (L) to Nether Rail (17) using Short Screw (R) and Screw (G) . Attach Drawer Stopper (Q) to Upper Rail (3) using Short Screw (R) . Attach Knob (M) to Door (16) using Round Head Bolt (N) .



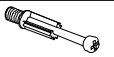
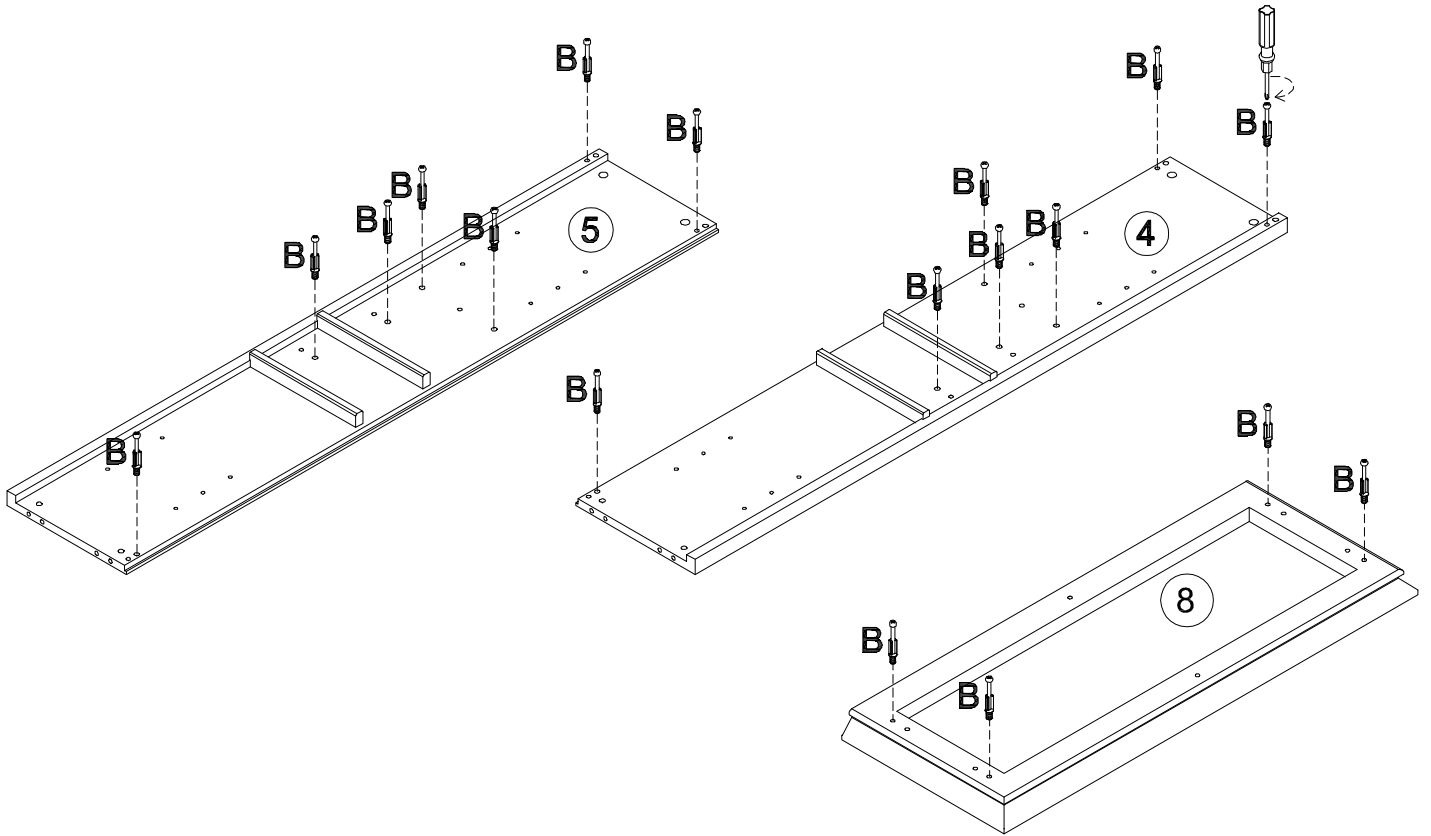
N x 1	M x 1	G x 2	L x 1	R x 2	Q x 2

Step 2. Set Drawer Front Panel (13), Drawer Side Panels (11) , Drawer Bottom Panel (12) and Drawer Back Panel (14) into place using Long Screw (I) . Attach Handle(J) to Drawer Front Panel (13) using Short Round head bolt (K) . Repeat for second drawer .



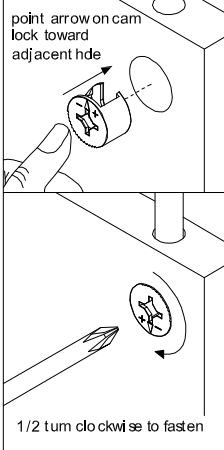
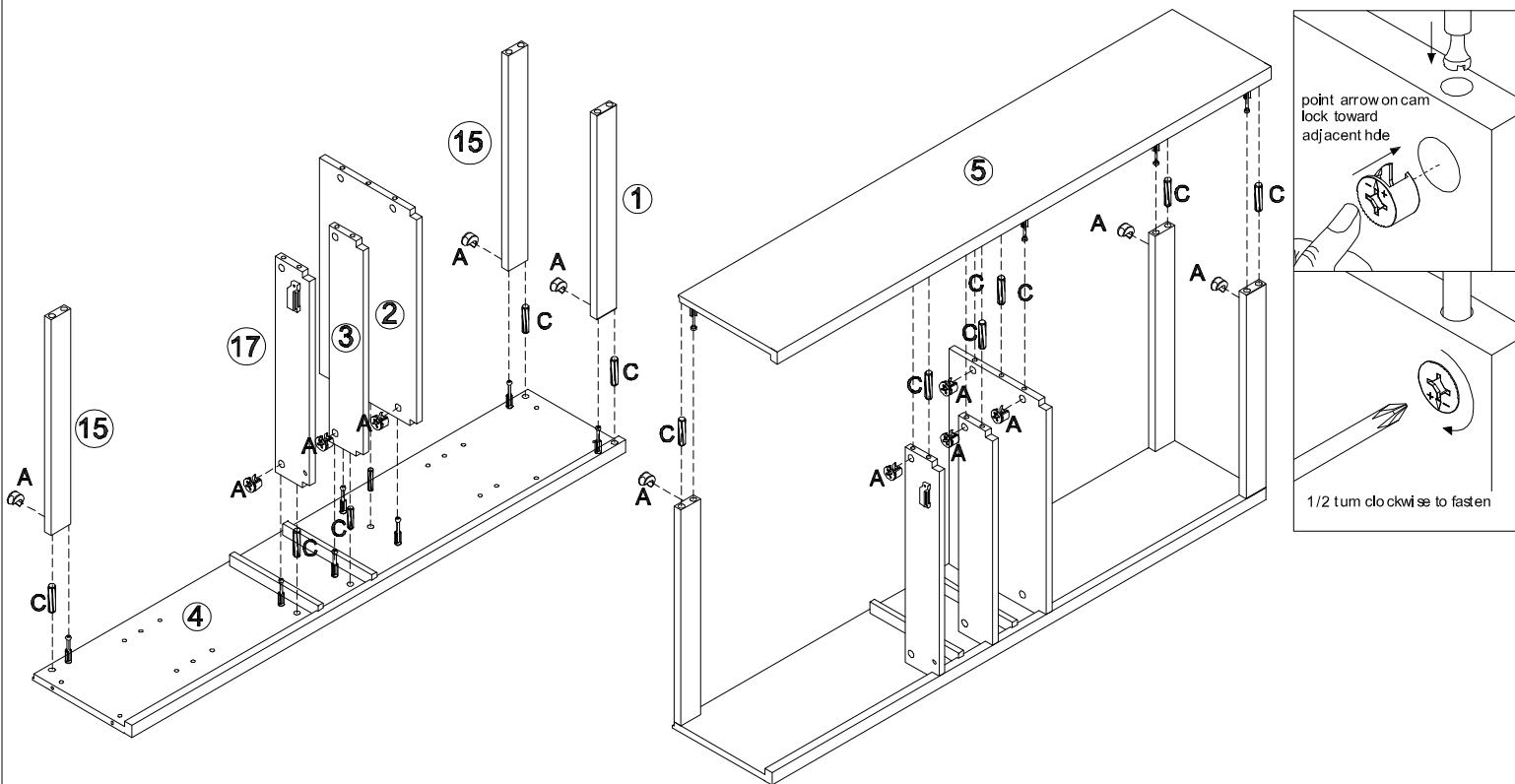
I x 16	K x 4	K x 4	J x 2

Step 3. Attach Cam Bolt (B) to Side Panels (4 & 5) and Top Panel (8) as shown.



B x 18

Step 4. Attach Front Top Rail (1) , Fixed Shelf (2) ,Upper Rail (3), Nether Rail (17) and Back Rail (15) to Right Side Panel (4) using Wood Dowel (C) and Cam lock (A) .
Set Left Side Panel (5) in to place using Wood Dowel (C) and Cam lock (A) .
See image inserts to the right for proper cam lock installation .



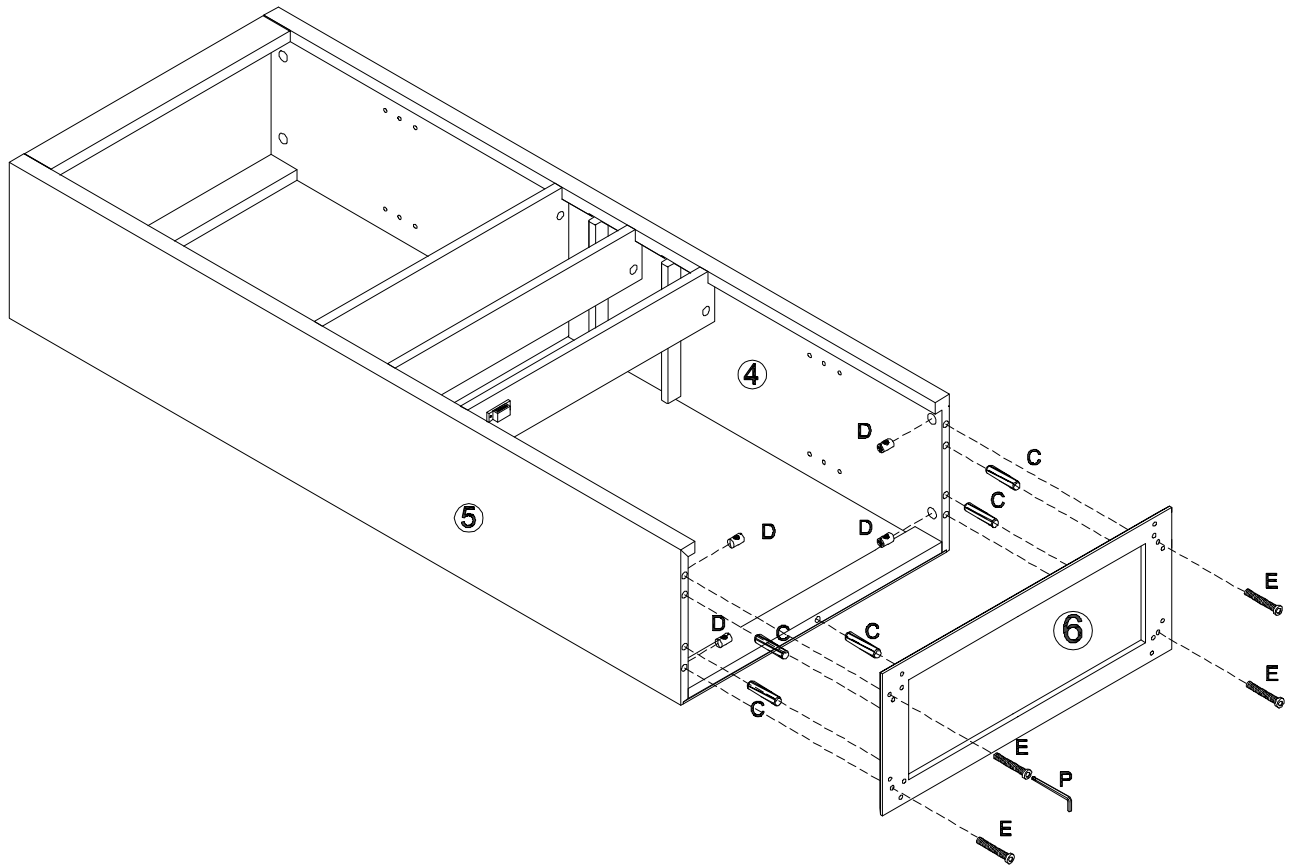
A x 14







C x 12

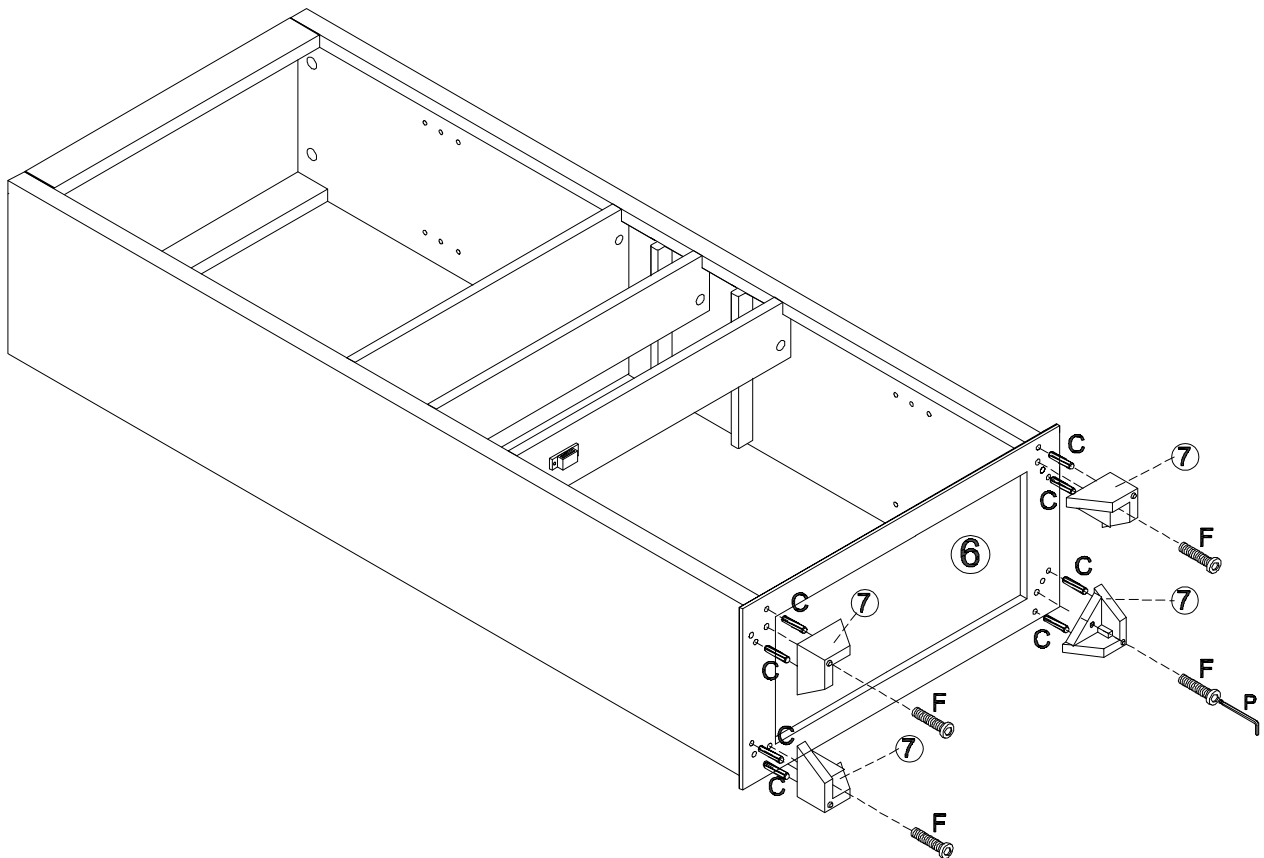
5

Step 5. Set Bottom Panel (6) into place using Long Bolt (E) , Barrel Nut (D), Wood Dowel (C) and Allen Key (P) .





			
P x 1	C x 5	E x 4	D x 4

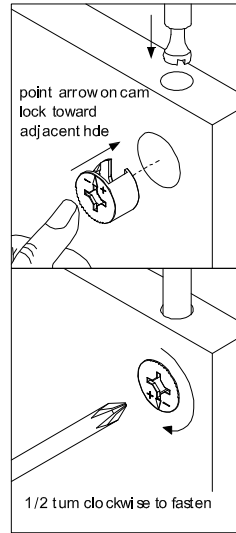
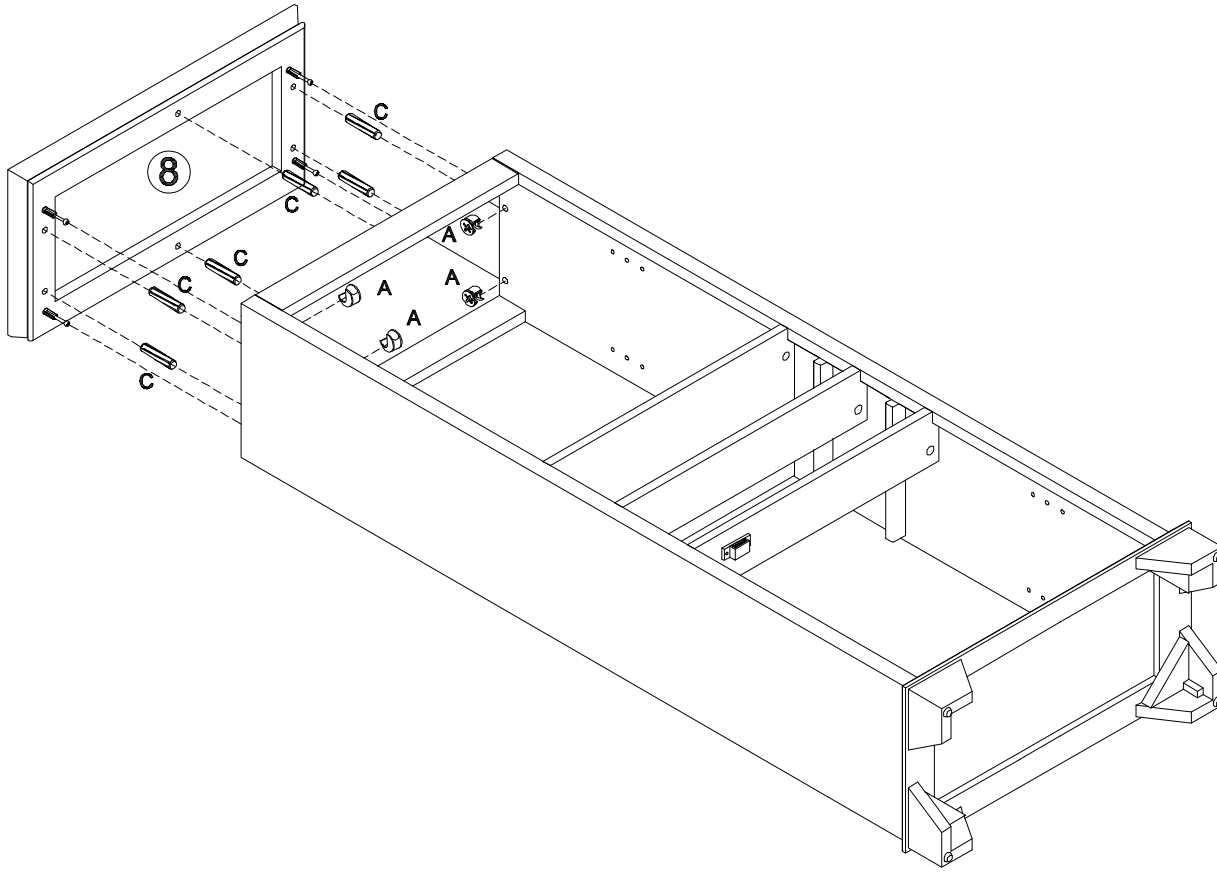
Step 6. Attach Leg (7) to Bottom Panel (6) using Short Bolt (F),Wood Dowel (C) and Allen Key (P) .





6

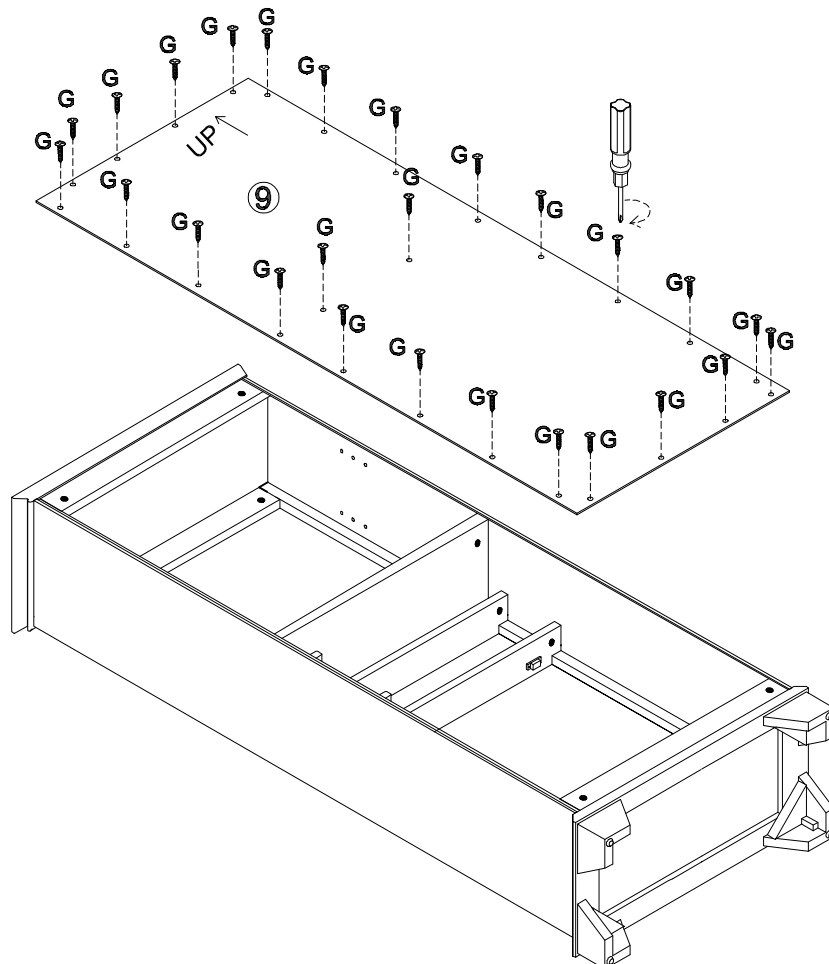
	
F x 4	C x 8


Step 7. Set Top Panel (8) into place using Wood Dowel (C) and Cam lock (A) .



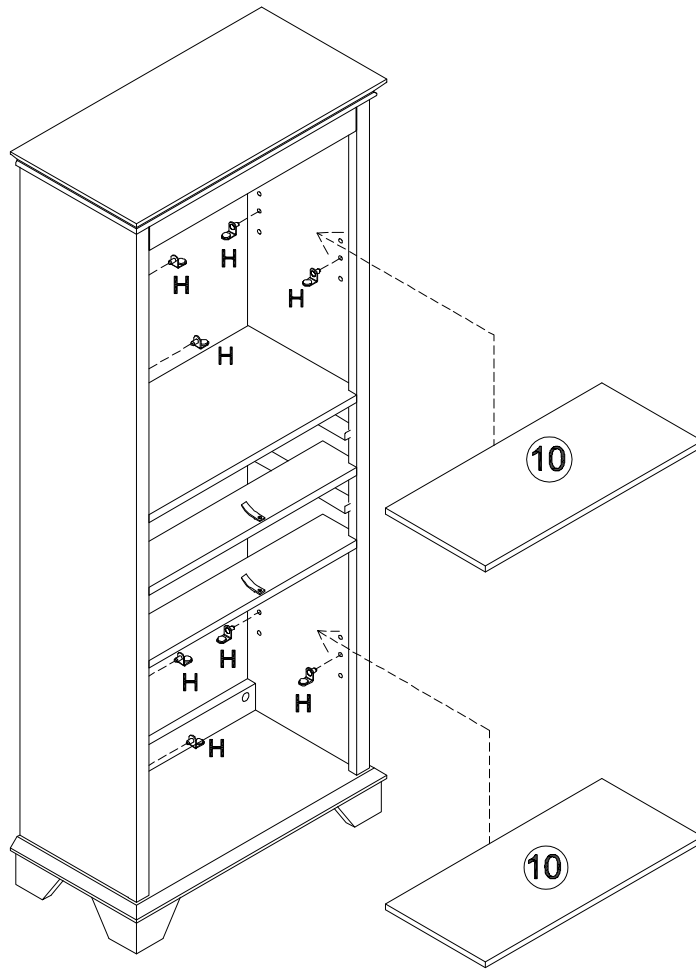
 A x 4	 C x 6
--	--

Step 8. Gently turn the unit over and set Back Panel (9) into place using Screw (G) .

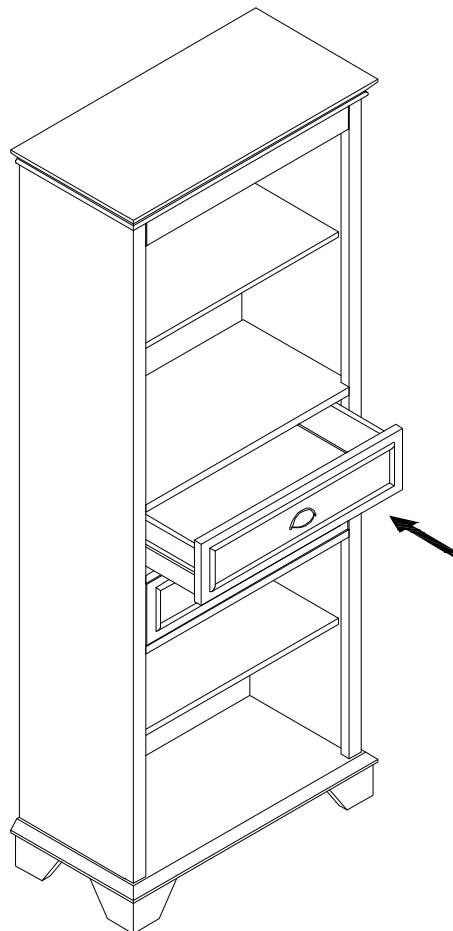


 G x 26

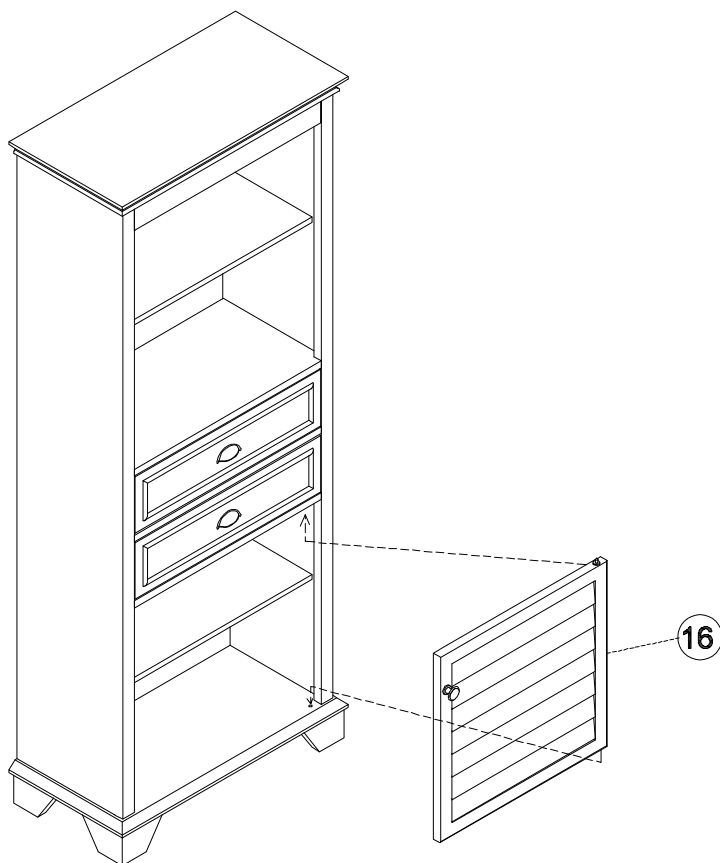
Step 9. Attach Shelf Support (H) into the hole .Insert Adjustable shelf (10) to place .



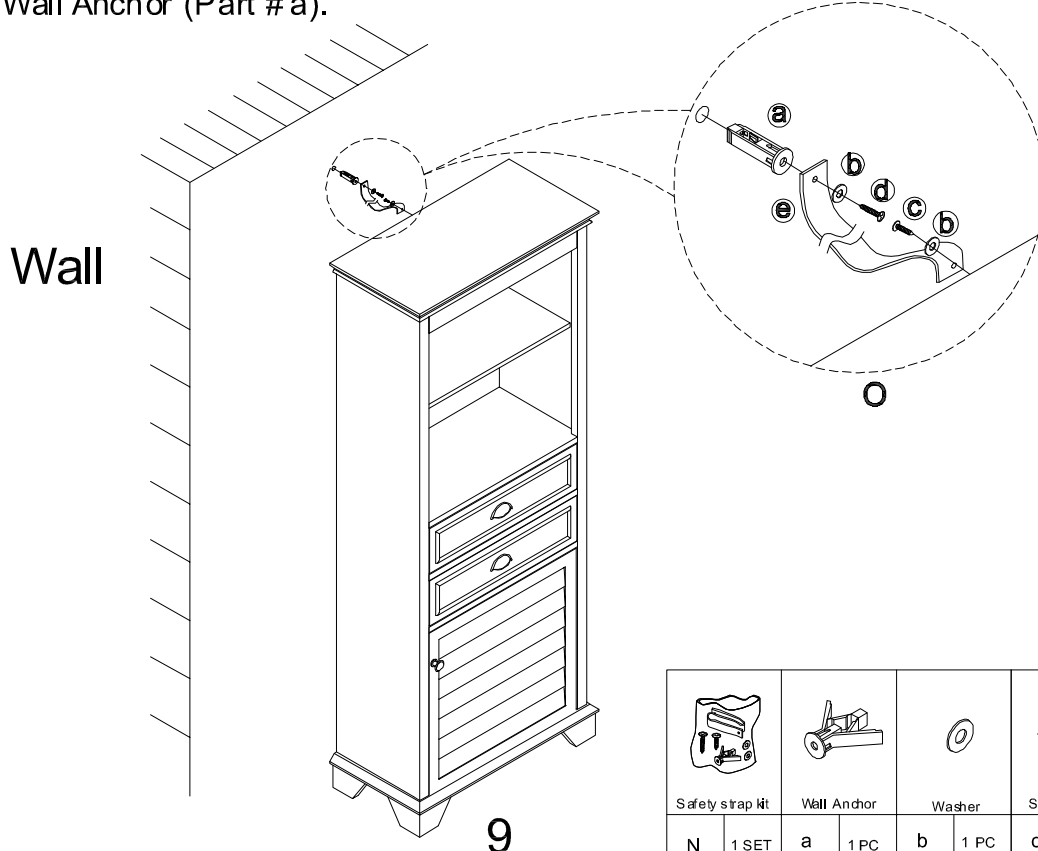
Step 10. Insert drawers into cabinet .



Step 11. Set Door (16) into place .



Step 12. Insert Short Screw (Part # c) through Washer (Part # b) and Safety Wall Strap (Part # e) and screw it into pre-drilled hole of Top Panel (Part # 8).
 Drill a 11/32" hole where you want to secure your pantry .The hole should be at the same height as the hole in the Top Panel (Part # 8). Tap Wall Anchor (Part # a) into the hole .
 Insert Long Screw (Part # d) through a Washer (Part # b) and Wall Safety Strap (Part # e) into Wall Anchor (Part # a).



Safety strap kit		Wall Anchor		Washer		Short Screw		Long Screw		Safety Wall Strap	
N	1 SET	a	1 PC	b	1 PC	c	1 PC	d	1 PC	e	1 PC